

# **Suburban Propane**

## **B2B Item Number Cross-Reference Guide**

**Prepared By**



---

***Orders/Customer Service/Technical Support***

**Tel. 800-628-5044 | Email: [orders@raymurray.com](mailto:orders@raymurray.com)**

**[www.raymurray.com](http://www.raymurray.com)**

# RMI LOCATIONS



Lee, MA

[www.raymurray.com](http://www.raymurray.com) / 800-628-5044

Flint, MI

Goldsboro, NC

Bensalem, PA



# VISIT US ONLINE

[WWW.RAYMURRAY.COM/SUBURBANPROPANE](http://WWW.RAYMURRAY.COM/SUBURBANPROPANE)

- Custom Webpage
- Access to Technical Resources
- Online B2B Cross-Reference
- Most Up-to-Date Contact Information
  - Includes sales team, technical contacts, and dedicated customer service representatives



SCAN ME



# FEATURES

## DESIGNED FOR THE SERVICEMAN



### Installations & Adjustments

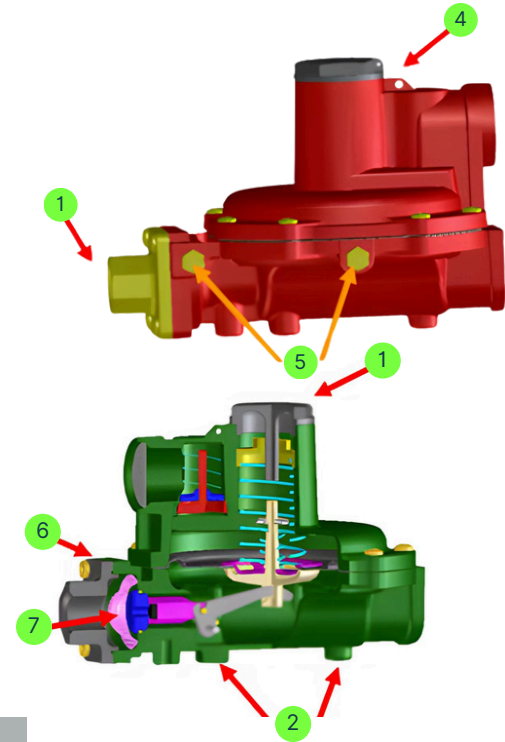
- Large Accessible Wrench Flats (1)
- Fits Universal Mounting Brackets (2)
- UV Closing cap with wrench flat allowing ease of adjustment (3)
- Spring adjustment protection (4)
- Labels ship in triplicate for ease and error-free documentation after install

### Troubleshooting

- Inlet and outlet gauge taps for system tests (5)

### Durability

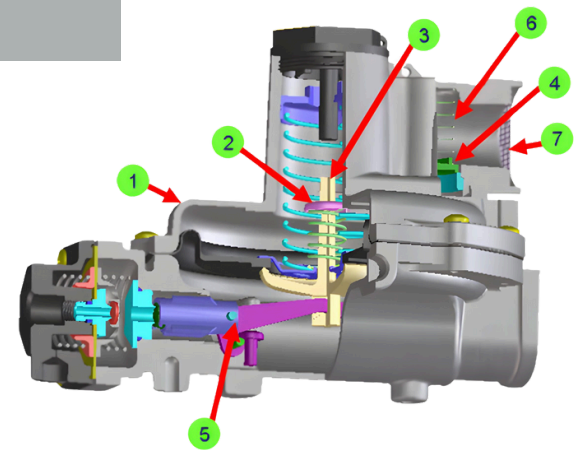
- Four Bolt, O-ring sealed inlet - Eliminates inlet leakage during installation (6)
- Inlet Screen in 2nd stage reg. - Keeps disc clean ensuring good lock-up (7)



# FEATURES

## DESIGNED FOR LONGEVITY

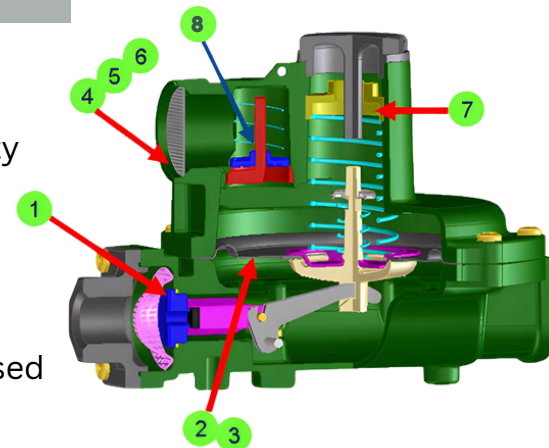
1. Corrosion Resistant Coating
2. SST Relief Valve Spring and Retainer
3. Non-Corroding Pusher Post & Relief Valve Seat
4. Non-Corroding Vent Flapper & Flapper Guide
5. SST Lever Pin
6. SST Vent Spring
7. SST Vent Screen



# FEATURES

## DESIGNED FOR PERFORMANCE

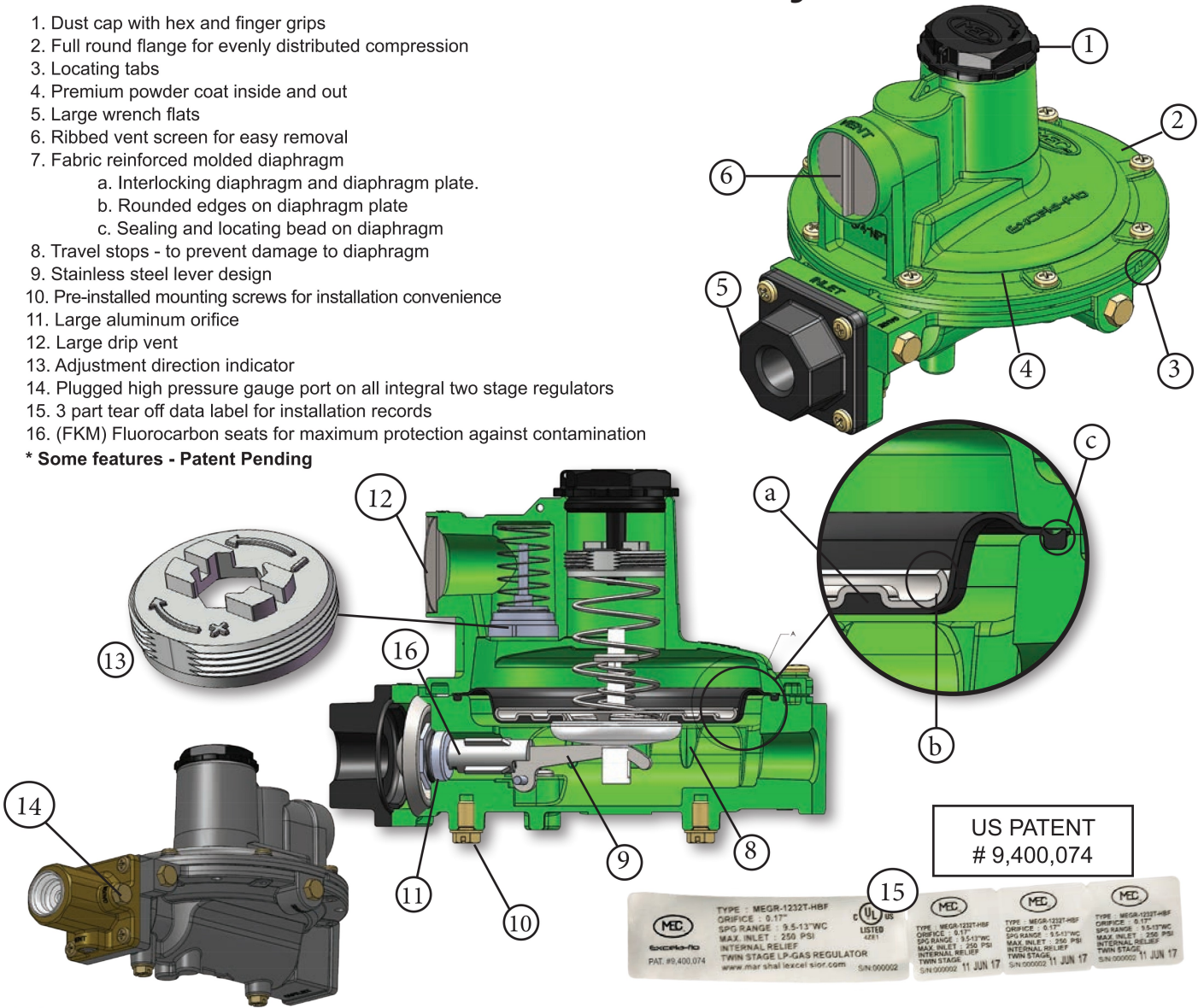
1. Durable Aluminum Orifice
2. Large Diaphragm for Increased Accuracy
3. Integrally Molded, Fabric Reinforced Diaphragm for Durability
4. Large 3/4"NPT Vent
5. Positive Spring Case Drainage
6. Large Drip Vent
7. Adjustable Spring Range
8. Integrally Mounted Stabilizer to Retain Stability if Vent is Closed



**Exclusive Features and Benefits**

1. Dust cap with hex and finger grips
2. Full round flange for evenly distributed compression
3. Locating tabs
4. Premium powder coat inside and out
5. Large wrench flats
6. Ribbed vent screen for easy removal
7. Fabric reinforced molded diaphragm
  - a. Interlocking diaphragm and diaphragm plate.
  - b. Rounded edges on diaphragm plate
  - c. Sealing and locating bead on diaphragm
8. Travel stops - to prevent damage to diaphragm
9. Stainless steel lever design
10. Pre-installed mounting screws for installation convenience
11. Large aluminum orifice
12. Large drip vent
13. Adjustment direction indicator
14. Plugged high pressure gauge port on all integral two stage regulators
15. 3 part tear off data label for installation records
16. (FKM) Fluorocarbon seats for maximum protection against contamination

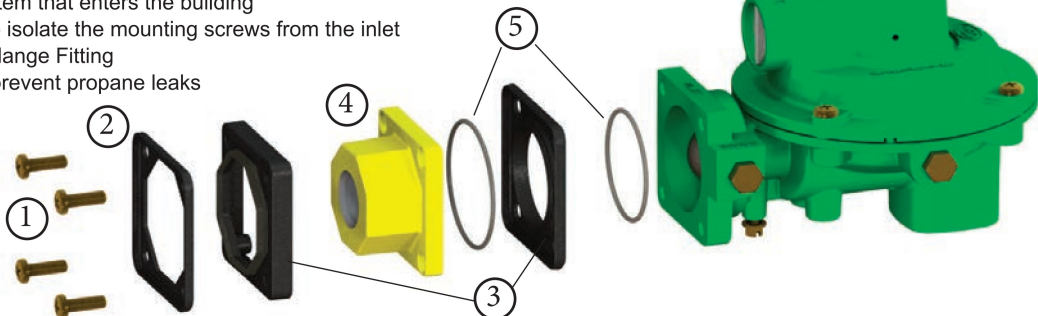
\* Some features - Patent Pending



**SENTINEL DIELECTRIC INLET CONSTRUCTION**

1. Mounting Screws
2. Reinforcement Plate
  - a. distributes mounting screw loads across plate
  - b. drip-lip to prevent water and condensation collection
3. Dielectric Isolator Plate and Cover
  - a. plate and cover install over the inlet flange to electrically insulate the inlet piping from the piping system that enters the building
  - b. plate is designed to isolate the mounting screws from the inlet
4. Dielectric 3/4" FNPT Flange Fitting
5. Double o-ring seal to prevent propane leaks

**PATENT PENDING**



Regulator Cross Reference Guide



	MODEL	INLET	OUTLET	SET POINT	VENT	PART NUMBER	B2B Number	BTUs	PART NUMBER	B2B Number	BTUs
FIRST STAGE REGULATORS	COMPACT	1/4"	1/2"	10 PSI	STD	R122H-AAJ	1528309	1,100,000	MEGR-1122H-AAJ	1548569	1,000,000
	COMPACT	1/4"	1/2"	10 PSI	90°	R122H-AAJXB	-	1,100,000	-	-	-
	COMPACT	1/2"	1/2"	10 PSI	STD	R222H-BGJ	-	1,800,000	-	-	-
	COMPACT	FPOL	1/2"	10 PSI	STD	R222H-HGJ	-	1,800,000	MEGR-1222H-BGF	1545901	1,000,000
	COMPACT	FPOL	1/2"	10 PSI	90°	-	-	-	MEGR-1222H-BGFXB	1545903	1,000,000
	COMPACT	FPOL	3/4"	10 PSI	STD	R222H-JGJ	-	1,875,000	MEGR-1222H-BGJ	-	1,700,000
	COMPACT	3/4"	3/4"	10 PSI	STD	R222H-DGJ	-	2,000,000	-	-	-
	COMPACT	1/2"	1/2"	5 PSI	STD	R222H-BGK	-	1,700,000	-	-	-
	COMPACT	FPOL	1/2"	5 PSI	STD	R222H-HGK	-	1,700,000	-	-	-
	COMPACT	FPOL	3/4"	5 PSI	STD	R222H-JGK	-	1,875,000	-	-	-
	COMPACT	3/4"	3/4"	5 PSI	STD	R222H-DGK	-	2,000,000	-	-	-
	C.BKMT	FPOL	1/2"	10 PSI	STD	-	-	-	MEGR-1252H-BGF	-	1,400,000
	C.BKMT	FPOL	1/2"	10 PSI	90°	-	-	-	MEGR-1252H-BGFXA	-	1,400,000
	C.BKMT	FPOL	3/4"	10 PSI	STD	-	-	-	MEGR-1252H-BGJ	-	1,500,000
	C.BKMT	FPOL	3/4"	10 PSI	90°	-	-	-	MEGR-1252H-BGJXA	-	1,500,000
	C.TEE	FPOL	1/2"	10 PSI	STD	-	-	-	MEGR-1222HT-BGF	-	1,000,000
	FULL SIZE	1/2"	1/2"	10 PSI	STD	R622H-BGJ	1526690	2,100,000	MEGR-1622H-BGJ	1544023	2,200,000
	FULL SIZE	3/4"	3/4"	10 PSI	STD	R622H-DGJ	1526692	2,400,000	MEGR-1622H-DGJ	1544037	2,500,000
	FULL SIZE	FPOL	1/2"	10 PSI	STD	R622H-HGJ	1526693	2,100,000	MEGR-1622H-HGJ	1544024	2,300,000
	FULL SIZE	FPOL	3/4"	10 PSI	STD	R622H-JGJ	1526694	2,250,000	MEGR-1622H-JGJ	1544025	2,750,000
FULL SIZE	1/2"	1/2"	5 PSI	STD	R622H-BGK	1526691	2,000,000	MEGR-1622H-BGK	-	2,100,000	
FULL SIZE	FPOL	1/2"	5 PSI	STD	R622H-HGK	1533591	2,000,000	MEGR-1622H-HGK	1545905	2,200,000	
FULL SIZE	FPOL	3/4"	5 PSI	STD	R622H-JGK	1526695	2,250,000	MEGR-1622H-JGK	1545906	2,650,000	
FS TEE	FPOL	1/2"	10 PSI	STD	-	-	-	MEGR-1622HT-HGJ	-	2,300,000	
FS TEE	FPOL	3/4"	10 PSI	STD	-	-	-	MEGR-1622HT-JGJ	-	2,750,000	
SECOND STAGE REGULATORS	COMPACT	1/2"	1/2"	11" WC	STD	R222-BAF	1534412	650,000	MEGR-1222-BAF	1544015	500,000
	COMPACT	1/2"	3/4"	11" WC	STD	-	-	MEGR-1222-CFF	-	800,000	
	COMPACT	3/4"	3/4"	11" WC	STD	-	-	MEGR-1222-DFD	-	800,000	
	COM DIELECT	1/2"	1/2"	11" WC	STD	-	-	MEGR-1222D-BAF	-	500,000	
	COM DIELECT	1/2"	3/4"	11" WC	STD	-	-	MEGR-1222D-CFF	-	800,000	
	COM DIELECT	3/4"	3/4"	11" WC	STD	-	-	MEGR-1222D-DFD	-	800,000	
	COM .BKMT	1/2"	1/2"	11" WC	STD	-	-	MEGR-1252-BAF	-	450,000	
	COM .BKMT	1/2"	3/4"	11" WC	STD	-	-	MEGR-1252-CFF	-	650,000	
	COM .BKMT	3/4"	3/4"	11" WC	STD	-	-	MEGR-1252-DFD	-	700,000	
	C.BKMT DIELEC	1/2"	1/2"	11" WC	STD	-	-	MEGR-1252D-BAF	-	500,000	
	C.BKMT DIELEC	1/2"	3/4"	11" WC	STD	-	-	MEGR-1252D-CFF	-	650,000	
	C.BKMT DIELEC	3/4"	3/4"	11" WC	STD	-	-	MEGR-1252D-DFD	-	700,000	
	FULL SIZE	1/2"	1/2"	11" WC	STD	R622-BCF	1526679	875,000	MEGR-1622-BCF	1544018	710,000
	FULL SIZE	1/2"	3/4"	11" WC	STD	R622-CFF	1526683	1,400,000	MEGR-1622-CFF	1544019	1,300,000
	FULL SIZE	1/2"	3/4"	11" WC	90°	-	-	MEGR-1622-CFFXO	-	1,300,000	
	FULL SIZE	3/4"	3/4"	11" WC	STD	R622-DFD	1526687	1,400,000	MEGR-1622-DFD	1544020	1,300,000
	FULL SIZE	3/4"	3/4"	11" WC	90°	-	-	MEGR-1622-DFDXO	-	1,300,000	
	FS DIELEC	1/2"	1/2"	11" WC	STD	-	-	MEGR-1622D-BCF	-	710,000	
	FS DIELEC	1/2"	3/4"	11" WC	STD	-	-	MEGR-1622D-CFF	-	1,300,000	
	FS DIELEC	3/4"	3/4"	11" WC	STD	-	-	MEGR-1622D-DFD	-	1,300,000	
	FS ANGLE	3/4"	3/4"	11" WC	STD	R642-DFD	1534258	920,000	MEGR-1642-DFD	1545907	900,000
	FS ANG DIELEC	3/4"	3/4"	11" WC	STD	-	-	MEGR-1642D-DFD	-	900,000	
	FS BKMT	1/2"	3/4"	11" WC	STD	R652-CFF	1533595	1,000,000	MEGR-1652-CFF	1544030	1,000,000
	FS BKMT	3/4"	3/4"	11" WC	STD	R652-DFD	1526697	1,000,000	MEGR-1652-DFD	1544032	1,000,000
	FS BKMT DIELEC	1/2"	3/4"	11" WC	STD	-	-	MEGR-1652D-CFF	-	1,000,000	
FS BKMT DIELEC	3/4"	3/4"	11" WC	STD	-	-	MEGR-1652D-DFD	-	1,000,000		
FULL SIZE	1/2"	3/4"	18" WC	90°	R622-CFGXA	-	1,125,000	-	-	-	
FS COMM	3/4"	3/4"	11" WC	STD	HSRL-BFC	1528156	2,300,000	MEGR-1HSRL-BFC	1544034	2,000,000	
FS COMM	1"	1"	11" WC	STD	HSRL-CFC	1527914	2,300,000	MEGR-1HSRL-CFC	1544035	2,500,000	
2 PSI	FULL SIZE	1/2"	1/2"	2 PSI	STD	R622E-BCH	1526688	1,460,000	MEGR-1622E-BCH	1544021	1,100,000
	FULL SIZE	3/4"	3/4"	2 PSI	STD	R622E-DCH	1526689	1,680,000	MEGR-1622E-DCH	1544022	1,400,000
	BKMT	3/4"	3/4"	2 PSI	STD	R652E-DFH	1533596	1,500,000	MEGR-1652E-DFH	1544033	1,300,000
TWIN STAGE REGULATORS	COMPACT	1/4"	1/2"	11" WC	STD	R232A-BBF	1541843	550,000	MEGR-1232-BBF	1544016	450,000
	COMPACT	1/4"	1/2"	11" WC	90°	R232A-BBFXA	1542103	550,000	MEGR-1232-BBFXA	1545908	450,000
	COMPACT	FPOL	1/2"	11" WC	STD	R232A-HBF	1542323	550,000	MEGR-1232-HBF	1544017	450,000
	COMPACT	FPOL	1/2"	11" WC	90°	R232A-HBFXA	1542366	550,000	MEGR-1232-HBFXA	1545909	450,000
	COMPACT	FPOL	3/4"	11" WC	STD	-	-	MEGR-1232-HFF	-	625,000	
	COMPACT	FPOL	3/4"	11" WC	90°	-	-	MEGR-1232-HFFXA	-	625,000	
	C. TEE	FPOL	1/2"	11" WC	STD	-	-	MEGR-1232T-HBF	-	450,000	
	C. TEE	FPOL	1/2"	11" WC	90°	-	-	MEGR-1232T-HBFXA	-	450,000	
	C. TEE	FPOL	3/4"	11" WC	STD	-	-	MEGR-1232T-HFF	-	450,000	
	C. TEE	FPOL	3/4"	11" WC	90°	-	-	MEGR-1232R-HFFXA	-	450,000	
	FULL SIZE	1/4"	1/2"	11" WC	STD	R632A-BCF	1541904	850,000	MEGR-1632-BCF	1544026	700,000
	FULL SIZE	1/4"	1/2"	11" WC	90°	R632A-BCFXA	1542071	850,000	MEGR-1632-BCFXA	1545910	700,000
	FULL SIZE	1/4"	3/4"	11" WC	STD	R632A-CFF	1541905	950,000	MEGR-1632-CFF	1544027	950,000
	FULL SIZE	1/4"	3/4"	11" WC	90°	R632A-CFFXA	1548417	950,000	-	-	-
	FULL SIZE	FPOL	1/2"	11" WC	STD	R632A-HCF	1541984	850,000	MEGR-1632-HCF	1544028	700,000
	FULL SIZE	FPOL	1/2"	11" WC	90°	R632A-HCFXA	-	850,000	-	-	-
	FULL SIZE	FPOL	3/4"	11" WC	STD	R632A-JFF	1541863	850,000	MEGR-1632-JFF	1544029	900,000
	FULL SIZE	FPOL	3/4"	11" WC	90°	R632A-JFFXA	-	850,000	-	-	-
	FS TEE	FPOL	1/2"	11" WC	STD	-	-	MEGR-1632T-HCF	-	450,000	
FS TEE	FPOL	1/2"	11" WC	90°	-	-	MEGR-1632T-HCFXA	-	450,000		
FS TEE	FPOL	3/4"	11" WC	STD	-	-	MEGR-1632T-JFF	-	450,000		
FS TEE	FPOL	3/4"	11" WC	90°	-	-	MEGR-1632T-JFFXA	-	450,000		
TWIN STAGE 2 PSI REGULATORS	COMPACT	1/4"	1/2"	2 PSI	STD	R232E-BBH	1542385	500,000	MEGR-1232E-BBH	1545914	500,000
	COMPACT	1/4"	1/2"	2 PSI	90°	R232E-BBHXA	-	500,000	-	-	-
	COMPACT	FPOL	1/2"	2 PSI	STD	R232E-HBH	1541898	500,000	MEGR-1232E-HBH	1545915	500,000
	COMPACT	FPOL	1/2"	2 PSI	90°	R232E-HBHXA	-	500,000	-	-	-
	FULL SIZE	1/4"	1/2"	2 PSI	STD	R632E-BCH	1544703	850,000	-	-	-
	FULL SIZE	1/4"	1/2"	2 PSI	90°	R632E-BCHXA	-	850,000	-	-	-
	FULL SIZE	1/4"	3/4"	2 PSI	STD	R632E-CFH	-	850,000	MEGR-1632E-CFH	1545918	850,000
	FULL SIZE	1/4"	3/4"	2 PSI	90°	R632E-CFHXA	-	850,000	MEGR-1632E-CFHXA	-	850,000
	FULL SIZE	FPOL	1/2"	2 PSI	STD	R632E-HCH	1544338	900,000	MEGR-1632E-HCH	1545917	900,000
	FULL SIZE	FPOL	1/2"	2 PSI	90°	R632E-HCHXA	-	900,000	-	-	-
FULL SIZE	FPOL	3/4"	2 PSI	STD	R632E-JFH	1541985	850,000	-	-	-	
FULL SIZE	FPOL	3/4"	2 PSI	90°	R632E-JFHXA	-	850,000	-	-	-	
AUTO CHANGE	COMPACT	1/4" IF	1/2"	11" WC	STD	-	-	MEGR-175CS61222-BAF	1544038	400,000	
	FULL SIZE	1/4" IF	1/2"	11" WC	STD	-	-	MEGR-175CS61622-BCF	1544036	650,000	
	FULL SIZE	1/4" IF	1/2"	2 PSI	STD	-	-	MEGR-175CS61622E-BCH	-	625,000	

## General Technical Info

Domestic & Storage Tank Specifications			
Capacity (Gallons)	Diameter (in.)	OAL (Ft. in.)	Weight (lbs.)
120	24"	5' 5-13/16"	245
200	24"	41.9"	188
250	31-1/2"	7' 2-1/2"	472
320	31-1/2"	8' 11-3/4"	588
420	30"	53.8"	291
500	37-1/2"	9' 10"	871
1,000	41"	15' 10-13/16"	1,729
2,000	46-5/8"	23' 9-3/8"	3,676
3,900	84"	16' 3"	5,731
6,565	84"	25' 10-1/2"	9,418
12,000	84"	44' 10-1/2"	17,400
18,000	109.346"	40' 9-3/8"	26,231
30,000	109.346"	65' 11-3/8"	43,500
30,000	131.875"	46' 9-7/8"	44,359

Vapor Pressure	
Deg. F	PSI
-30	8
-20	13.5
-10	23.3
0	28
10	37
20	47
30	58
40	72
50	86
60	102
70	127
80	140
90	165
100	196
110	220

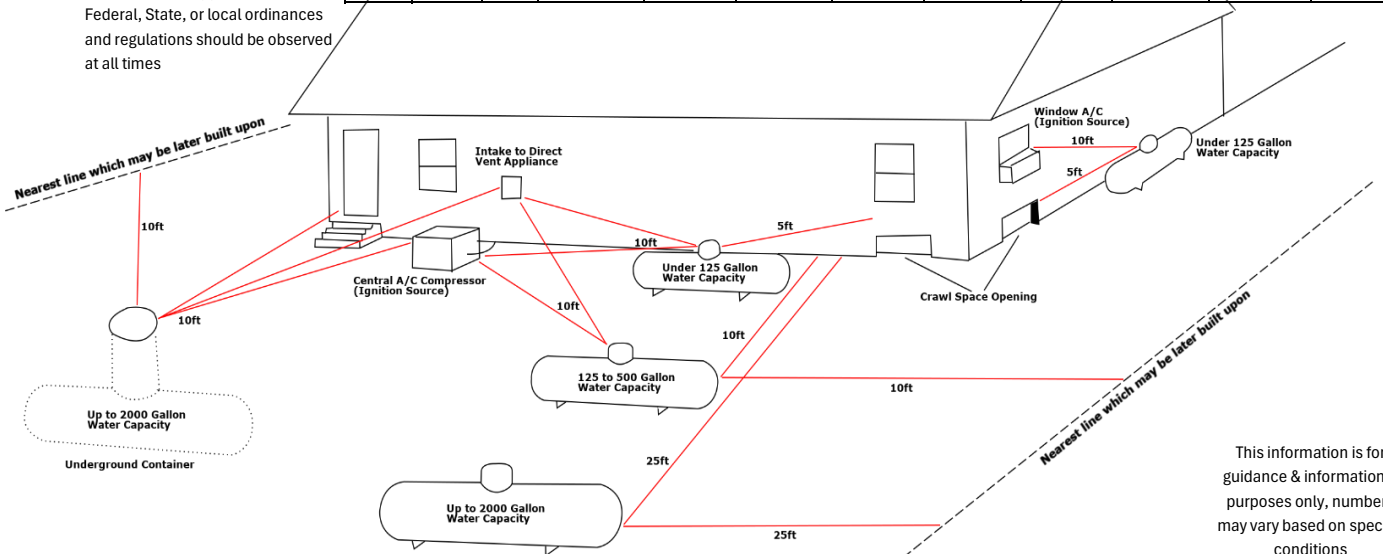
Continous Rate of Vaporization - Underground Tanks								
Output in 1000s of BTU's per Hour - Tank 25% Full - Minimum Tank Pressure 10 PSI								
Frost Depth	Elevated Grade Underground Tank				Regular Underground Tank			
	500 Gallons of Water		1000 Gallons of Water		500 Gallons of Water		1000 Gallons of Water	
	Short Riser	Long Riser	Short Riser	Long Riser	Short Riser	Long Riser	Short Riser	Long Riser
1'	379	536	748	968	536	536	968	968
1.5'	325	472	635	900	521	521	940	940
2'	293	412	568	783	483	505	855	912
2.5'	269	406	517	726	452	483	766	874
3'	241	338	466	642	372	469	701	868
3.5'	223	311	429	591	341	430	643	805
4'	200	285	389	542	313	399	594	747
4.5'	175	259	343	493	287	371	544	695
5'	150	233	296	446	260	343	495	644
5.5'	125	206	251	399	234	315	448	596
6'	114	191	231	369	217	293	417	554

LPG Vaporization in BTU/hr per Tank Size at 25% Filled							
Temp.	200# DOT	420# DOT	120 ASME	250 ASME	320 ASME	500 ASME	1000 ASME
0°F	47,520	81,000	97,920	165,600	205,200	266,400	467,400
40°F	97,200	143,100	374,400	676,800	796,080	1,047,840	1,862,400

Propane Line Sizing: 10 psi /1 psid Capacity x 1000 BTU/hr, based on NFPA 54 & 58										
Length per Ft	Copper Tube: Type K			Poly Pipe: CTS		Poly Pipe: IPS				
	3/8"	1/2"	5/8"	1/2"	1"	1/2"	3/4"	1"	1-1/2"	2"
10	1060	2150	3760	-	-	-	-	-	-	-
20	727	1480	2580	-	-	-	-	-	-	-
30	584	1190	1780	762	5230	2140	2390	7740	20300	36400
40	500	1020	1780	653	4470	1840	3670	6630	17300	31200
50	443	901	1570	578	3960	1630	3260	5870	15400	27600
60	401	816	1430	524	3590	1470	2950	5320	13900	25000
70	179	751	1310	482	3300	1360	2710	4900	12800	23000
100	304	619	1080	397	2720	1120	2240	4040	10600	19000
150	244	497	869	319	2190	897	1797	3240	8480	15200
200	209	426	744	273	1870	778	1539	2780	7260	13000
300	168	342	597	219	1500	617	1235	2230	5830	10470

Second Stage or Integral Twin Stage Line Sizing											
11-in. Water Column Inlet with a 0.05-in. Water Column Droop - Maximum Capacity of Pipe or tubing in thousands of BTU/hr of LP Gas											
Size of Pipe, Inches	Length of Pipe of Tubing in Feet										
	10	20	30	40	50	60	70	80	90	100	
Copper Tubing (O.D.)	3/8"	45	31	25	21	19	17	16	15	14	13
	1/2"	93	64	51	44	39	35	32	30	28	27
	5/8"	188	129	104	89	79	71	66	61	57	54
	3/4"	329	226	182	155	138	125	115	107	100	95
Pipe Size	1/2"	291	200	160	137	122	110	101	94	89	84
	3/4"	608	418	336	287	255	231	212	197	185	175
	1"	1150	787	632	541	480	434	400	372	349	330
	1-1/4"	2350	1620	1300	1110	985	892	821	763	716	677
	1-1/2"	3520	2420	1940	1660	1480	1340	1230	1140	1070	1010
2"	6790	4660	3750	3210	2840	2570	2370	2200	2070	1950	

Location of ASME Containers From NFPA 58, Appendix I Federal, State, or local ordinances and regulations should be observed at all times



This information is for guidance & informational purposes only, numbers may vary based on specific conditions



Line of Business	Category	Item Group	Page	
Propane	Ball Valves	Ball Valves, Apollo	1	
		Ball Valves, Jomar	1	
		Jomar - steel valves	1	
	Fill Station Equipment	Scales & Dispensers	1	
		Stands & Cabinets	1	
		Valve Kits	1	
	High Pressure Equipment	Superior/Western Fittings	1	
		Valve Accessories	1	
	Hose	Hose Couplings	1	
		Hose, Flex Steel Braid	1	
		Hose, Rubber 3/4"-2"	2	
		Lifeline Hoses	2	
		Precrimped Hose Assemblies	2	
	Industrial Equipment	Fabricated Equipment	2	
		Forged Steel Fittings	2	
		Forged Steel Flanges	2	
		Forged Steel Nipples	3	
		Hannay Parts	3	
		Plant & Industrial Tools	4	
		Plant Equipment	4	
		Smith Swivels	4	
		Truck equipment	5	
	Meters & Parts	LC Parts	5	
		Meters, Neptune, Bestrac	5	
		Neptune Parts	5	
		1/4-1/2" Hose	5	
	Piping	American Meters	5	
		Appl. Cnt. Food Srvc	5-6	
		Appl. Cnt. 10,20,30 series	6-7	
		Brass POL & Acme Adaptors	7	
		Flare Fittings	8	
		Grill regulators & Fittings	8	
		Hose Fittings	8	
		Misc Valves & Fittings	8	
		Pigtails & Tee Blocks	9	
		Poly Coated Copper Tubing	9	
		Prefab assemblies	9	
		Sediment Traps & 40 Sch. Fit	9	
		Small Ball Valves	9	
		Plant & Truck Valves	Fisher Bulk Plant Valves	10
			Fisher equipment	10
			Fisher Parts	10-11
			Marshall Excelsior Acme Fittin	11
	Marshall Internal Valves		12	
	MEC Repair Parts		12	
	MEC Valves and Actuators		12	
	Squibb Equipment	12		
	Poly Pipe & Fittings	Mechanical Fittings	13	
		Plastic Pipe	13	
		Risers	14	
		Tools for Plastic	14	
	Pumps	Blackmer By-pass Valves	15	
		Blackmer Pumps	15	
Corken Parts		15		
Electric Motors		15		
Pump Parts		15		
Smith Pumps and By-pass valves		15		
Switch & Controls		15		
Regulators	Cavagna Compact Regulators	16		
	Fisher 1st Stage Regulators	16		
	Fisher 2nd Stage Regulators	16		
	Fisher Twin Stage Regulators	16		
	Fisher Adjustable Regs & Acces	16		
	Fisher Industrial Regulators	17		

Line of Business	Category	Item Group	Page
Propane	Regulators	Maxitrol Regulators	17
		Norgas Regulators	17
		MEC 1st Stage Regulators	18
		MEC 2nd Stage Regulators	18
		MEC Twin Stage Regulators	18
		MEC Adjustable Regs & Access	18
	Tank Accessories	MEC Industrial Regulators	18
		Caps	18
		Cathodic Protection	18
		Cylinder Equipment - Large	19
		Cylinder Equipment - Small	19
		Cylinder Hoods	19
		Paint	19
	Tools	Rochester Gauges	19
		Gasket Products	19
		Gloves	19
		Misc. Equipment	20
		Sealants	20
		Service Tools	20
		Testing Equipment	20
	Valves	Torches	20
Cavagna OPD Valves		21	
Grand Hall Valves		21	
Vaporizers	MEC Valves	21	
	Vaporizer Parts, Algas	21	
	Vaporizer Parts, Ransome	21	
	Vaporizer Parts, Sam Dick	21	
	Vaporizer Separators	21	
Empire Hearth	Vaporizers Algas	21	
	Empire Hearth Accessories	22-23	
Hearth Equipment	Empire Hearth Products	24-25	
	A.W. Perkins	26	
	Ambient Technology Remotes	26	
	Astria Accessories	26	
	Skytech Remote Controls	26	
	VCG Parts	26	
Heaters	Empire Heaters	26	
	Empire Heating Accessories	26	
	Empire Parts	27	
	Flame Engineering Units & Acc	28	
	HearthRite Heaters	28	
	LB White AG Heaters	28	
	LB White Heater Parts	28	
	LB White Heaters	28	
	Reznor Unit Heaters	28	
	Rinnai Direct Vent Accessories	28	
	Rinnai DV Heaters	28	
Rinnai Heater Parts	28		
Rinnai VF Heaters	28		
HVAC Equipment	Baso Gas Products LLC	29	
	Honeywell Controls	29	
	Humphrey & Falks Gas Lights	29	
	Humphrey & Falks Gas Lt Parts	29	
	Robert-Shaw	29	
	Single wall pipe	29	
	Tjernlund & Field Controls	29	
Outdoor	Campchef	29	
Venting	FasNSeal & Foil/Mesh Wraps	30	
	Simpson Aluminum Liners	30	
	Simpson B-Vent	30	
Water Heaters	Simpson Direct Vent	30	
	Rinnai Cond Wtr & Boilr Ventng	31	
	Rinnai Water Heater parts	31	
	Rinnai Water Heaters	31	
Rinnai Water Htr Accessories	31		



Line of Business	Category	Item Group	RMI Item #	B2B Item #	Description
Propane	Ball Valves	Ball Valves, Apollo	71-504-01	1542864	VALVE,71-504-01, 3/4", BRASS,STRAINER
Propane	Ball Valves	Ball Valves, Apollo	80-100	1541404	VALVE,80-100,APOLLO BALL,3",CAST BRONZE
Propane	Ball Valves	Ball Valves, Apollo	80-101	1520326	VALVE, 80-101, APOLLO, BALL, 1/4",
Propane	Ball Valves	Ball Valves, Apollo	80-102	1544362	VALVE,80-102,APOLLO BALL,3/8",
Propane	Ball Valves	Ball Valves, Apollo	80-103	1507200	VALVE, 80-103, 1/2" APOLLO,BALL
Propane	Ball Valves	Ball Valves, Apollo	80-104	1538109	VALVE, 80-104, APOLLO, BALL, 3/4" THREAD
Propane	Ball Valves	Ball Valves, Apollo	80-105	1512082	VALVE, 80-105, 1" APOLLO, BALL
Propane	Ball Valves	Ball Valves, Apollo	80-107	1538659	VALVE, 80-107, APOLLO, BALL, 1 1/2"
Propane	Ball Valves	Ball Valves, Apollo	80-108	1516102	VALVE, 80-108-01, APOLLO, BALL, 2"
Propane	Ball Valves	Ball Valves, Jomar	100-703	1539488	VALVE,100-703, JOMAR,1/2" , BALL
Propane	Ball Valves	Ball Valves, Jomar	100-704	1542687	VALVE, 100-704, JOMAR, 3/4 X 3/4 SHUTOFF
Propane	Ball Valves	Ball Valves, Jomar	100-705	1512539	VALVE, 100-705, JOMAR, T-100 1"
Propane	Ball Valves	Ball Valves, Jomar	100-706	1542959	VALVE, 100-706, JOMAR,1 1/4", BALL
Propane	Ball Valves	Ball Valves, Jomar	100-708	1512804	VALVE, 100-708, JOMAR,2",SUPER BALL
Propane	Ball Valves	Ball Valves, Jomar	160-104	1512045	VALVE, 160-104, JOMAR, UNION, 3/4" END
Propane	Ball Valves	Ball Valves, Jomar	160-105	1534293	VALVE, 160-105, JOMAR, UNION, 1" END
Propane	Ball Valves	Jomar - steel valves	100-963	1542334	VALVE,100-963,JOMAR,1/2",JOMAR SS,
Propane	Ball Valves	Jomar - steel valves	100-964	1542333	VALVE,100-964,JOMAR,3/4",JOMAR SS,
Propane	Ball Valves	Jomar - steel valves	100-994	1540246	VALVE, 100-994, JOMAR,
Propane	Ball Valves	Jomar - steel valves	100-995	1540250	VALVE, 100-995, JOMAR,
Propane	Ball Valves	Jomar - steel valves	100-996	1525396	VALVE, 100-996, JOMAR,1 1/4",BALL
Propane	Ball Valves	Jomar - steel valves	100-997	1538198	VALVE, 100-997, JOMAR, 1 1/2", DOUBLE
Propane	Ball Valves	Jomar - steel valves	100-998	1542593	BALL VALVE, 100-998, JOMAR, 2", CS, FP,
Propane	Ball Valves	Jomar - steel valves	500-303	1544141	VALVE,500-303, JOMAR,FULL PORT VALVE 1/2
Propane	Ball Valves	Jomar - steel valves	500-304	1540685	VALVE, 500-304, JOMAR, 3/4", 4 BOLT SS
Propane	Ball Valves	Jomar - steel valves	500-305	1540686	VALVE, 500-305, JOMAR, 1", 4 BOLT SS
Propane	Ball Valves	Jomar - steel valves	500-307	1548263	VALVE,500-307,JOMAR,1 1/2"
Propane	Ball Valves	Jomar - steel valves	500-308	1545470	VALVE,500-308,BALL, 2" STAINLESS STEEL
Propane	Ball Valves	Jomar - steel valves	500-310	1542732	VALVE, 500-310, JOMAR, BALL, THREADED 3"
Propane	Ball Valves	Jomar - steel valves	600-230	1541685	VALVE,600-230,FLANGED BALL,300 LB
Propane	Fill Station Equipment	Scales & Dispensers	1124	1538181	SCALE, 1124,FAIRBANKS,1000#,STANDARD
Propane	Fill Station Equipment	Scales & Dispensers	1124-100	1540464	COUNTERWEIGHT, 1124-100, 100 LB
Propane	Fill Station Equipment	Scales & Dispensers	1124-L	1539864	SCALE, 1124-L, FAIRBANKS, TALL PILLAR
Propane	Fill Station Equipment	Scales & Dispensers	1124-S	1541348	SCALE,1124-S,FAIRBANKS,1000#,SHORT PILLA
Propane	Fill Station Equipment	Stands & Cabinets	MT-PUMP-2	1523505	STAND, MT-PUMP-2, TANK MT SUPPORT,
Propane	Fill Station Equipment	Stands & Cabinets	MT-TANK-2	1523504	STAND, MT-TANK-2, TANK MT SUPPORT,
Propane	Fill Station Equipment	Valve Kits	K-K2	1534420	KIT, K-K2, HOSE AND VALVE KIT, 25 FOOT
Propane	Fill Station Equipment	Valve Kits	PF-11B	1523508	KIT, PF-11B, FOR PUMP STATION CABT INSTL
Propane	Fill Station Equipment	Valve Kits	PF-D2	1534635	KIT, PF-D2, FITTING, FOR A D-2 CABINET
Propane	Fill Station Equipment	Valve Kits	PK-11	1523507	KIT, PK-11, FOR PUMP STATION CABT INSTL
Propane	Fill Station Equipment	Valve Kits	PKB-C1012	1505283	BREAK-AWAY, PKB-C1012, CORKEN,
Propane	Fill Station Equipment	Valve Kits	PK-D2	1534634	KIT, PK-D2, VALVING, FOR A D-2 CABINET
Propane	Fill Station Equipment	Valve Kits	PKF-C1012	1539021	KIT, PKF-C1012, CORKEN, FITTING
Propane	Fill Station Equipment	Valve Kits	PKV-125	1512531	KIT, PKV-125, BLACKMERE,VALVE,
Propane	Fill Station Equipment	Valve Kits	PKV-C1012	1504952	KIT, PKV-C1012, CORKEN, REPAIR
Propane	High Pressure Equipment	Superior/Western Fittings	217	1514508	VALVE, 217, 1/4" NPT X 1/4" FNPT NEEDLE
Propane	High Pressure Equipment	Superior/Western Fittings	928	1544363	CHAIN AND PLUG,928X,WESTERN,9/16# 18LH
Propane	High Pressure Equipment	Superior/Western Fittings	7329	1543778	FERRULE,7329, BRASS
Propane	High Pressure Equipment	Superior/Western Fittings	7331	1544927	FERRULE,7331,BRASS,.750 ID,
Propane	High Pressure Equipment	Superior/Western Fittings	7333	1548479	FERRULE,7333,BRASS,.812 ID,
Propane	High Pressure Equipment	Superior/Western Fittings	8-17	1549597	FITTING, 8-17, HOSE BARB, 1/4"
Propane	High Pressure Equipment	Superior/Western Fittings	8-20	1545460	FITTING, 8-20,HOSE BARB,3/8"
Propane	High Pressure Equipment	Superior/Western Fittings	41-B	1545386	HOSE BARB,41-B,9/16"-18 LH MALE BY HOSE
Propane	High Pressure Equipment	Superior/Western Fittings	802XXX	1534505	ADAPTOR, 802, WESTERN ENT,.555 X FPOL
Propane	High Pressure Equipment	Superior/Western Fittings	B-6-4HP	1544307	BUSHING,B-6-4HP,WESTERN,PIPE REDUCER
Propane	High Pressure Equipment	Superior/Western Fittings	B-6HP	1544306	NIPPLE,B-6HP,WESTERN,3/8X3/8MP
Propane	High Pressure Equipment	Superior/Western Fittings	BA-4-2HP	1546927	ADAPTOR,BA-4-2HP,1/4NPT X 1/8NPT,BRASS
Propane	High Pressure Equipment	Superior/Western Fittings	BFT-6HP	1544308	OUTLET,BFT-6HP,WESTERN,FEMALE TEE
Propane	High Pressure Equipment	Superior/Western Fittings	BST-4HP	1544309	OUTLET,BST-4HP,WESTERN,FEMALE TEE
Propane	High Pressure Equipment	Superior/Western Fittings	CR-100	1522905	CRIMPER, CR-100, BENCH
Propane	High Pressure Equipment	Superior/Western Fittings	REB-4-3	1544243	REGULATOR, REB-4-3,WESTERN,LIGHT DUTY
Propane	High Pressure Equipment	Superior/Western Fittings	REB-7-3	1537657	REGULATOR, REB-7-3, WESTERN, HIGH
Propane	High Pressure Equipment	Valve Accessories	ME309	1544011	CAP,ME-309,MEC,BRASS,NO CHAIN,CGA 555
Propane	Hose	Hose Couplings	107-12-12	1515609	ADAPTOR, 107-12-12, MALE, 3/4", PIPE TO
Propane	Hose	Hose Couplings	107-16-16	1515623	ADAPTOR, 107-16-16, MALE, 1", PIPE TO
Propane	Hose	Hose Couplings	107-32-32	1515612	ADAPTOR, 107-32-32, MALE, 2", PIPE TO
Propane	Hose	Hose Couplings	107-8-8	1515608	ADAPTOR, 107-8-8, MALE, 1/2", PIPE TO
Propane	Hose	Hose Couplings	20120-12-10	1544105	HOSE END, 20120-12-10 , 1/2 INCH ID MALE
Propane	Hose	Hose Couplings	20120-4-6	1517242	FITTING, 20120-4-6, 5/16" MALE, HOSE
Propane	Hose	Hose Couplings	20120-8-10	1539303	COUPLING, 20120-8-10, 1/2" MNPT, MALE
Propane	Hose	Hose Couplings	207-12-12	1539313	ADAPTOR, 207-12-12, FEMALE, 3/4", PIPE
Propane	Hose	Hose Couplings	207-16-16	1540907	SWIVEL, 207-16-16, PARKER, HYDRAULIC/
Propane	Hose	Hose Couplings	207-8-8	1520653	UNION, 207-8-8, PARKER HANAFIN, SWIVEL,
Propane	Hose	Hose Couplings	20820-6	1517169	COUPLING, 20820-6, FOR SS25UL HOSE,5/16"
Propane	Hose	Hose Couplings	20820-8-10	1538115	COUPLING, 20820-8-10, PARKER,
Propane	Hose	Hose Couplings	27720-6	1538121	COUPLING, 27720-6, PARKER,
Propane	Hose	Hose Couplings	27920-6	1538119	COUPLING, 27920-6, PARKER,
Propane	Hose	Hose, Flex Steel Braid	SS25UL-10	1517328	HOSE, SS25UL-10, 1/2", MOTOR FUEL
Propane	Hose	Hose, Flex Steel Braid	SS25UL-6	1517593	HOSE, SS25UL-6, HI-PRESS FUEL LINE, UL,

Line of Business	Category	Item Group	RMI Item #	B2B Item #	Description
Propane	Hose	Hose, Rubber 3/4"-2"	LPGH-1	1533628	HOSE, LPGH-1, DAYCO, 1 INCH
Propane	Hose	Hose, Rubber 3/4"-2"	LPGH-1 1/2	1533635	HOSE, LPGH-1 1/2, DAYCO, 1 1/2 INCH ,
Propane	Hose	Hose, Rubber 3/4"-2"	LPGH-1 1/4	1533634	HOSE, LPGH-1 1/4, DAYCO, 1 1/4 INCH ,
Propane	Hose	Hose, Rubber 3/4"-2"	LPGH-2	1533636	HOSE, LPGH-2, DAYCO, 2 INCH
Propane	Hose	Lifeline Hoses	CG-LPG-32-R10-3	1543059	HOSE,CG-LPG-32-R10-3,SMART,2 X 10FT
Propane	Hose	Lifeline Hoses	CG-LPG-32-R15-3F	1543878	HOSE,CG-LPG-32-R15-3F,SMART,2"X15FT
Propane	Hose	Lifeline Hoses	PWLD-20	1541177	GUARD,PWLD-20,SCUFF GAURD,PROWRAP
Propane	Hose	Lifeline Hoses	PWLD-32	1545502	GUARD,PWLD-32,SCUFF GAURD,PROWRAP
Propane	Hose	Precrimped Hose Assemblies	I16C1500MP16MP16-P1	1548657	HOSE,1"X125',FAIRVIEW,BOBTAIL,DELIVERY
Propane	Hose	Precrimped Hose Assemblies	I16C1800MP16MP16-P1	1548656	HOSE,1"X150',FAIRVIEW,BOBTAIL,DELIVERY
Propane	Hose	Precrimped Hose Assemblies	LPGH-3/4-3C	1541736	HOSE, LPGH-3/4-3C, DAYCO, 3/4" MNPT x 3'
Propane	Industrial Equipment	Fabricated Equipment	PC530-1	1513020	KIT, PC-530-1, VALVE, PNEUMATIC
Propane	Industrial Equipment	Fabricated Equipment	PC531	1539522	KIT, PC531, MANUAL RELEASE,
Propane	Industrial Equipment	Fabricated Equipment	PURGE-1	1515712	PURGE SYSTEM,PURGE-1,POL X POL
Propane	Industrial Equipment	Fabricated Equipment	PURGE-2	1540239	KIT, PURGE-2, ECONOMY PURGE KIT
Propane	Industrial Equipment	Fabricated Equipment	PURGE-3	1544886	KIT,PURGE-3, PURGE, 3 WAY VALVE
Propane	Industrial Equipment	Forged Steel Fittings	100-08	1505282	COUPLING, 1/2" SCH 80
Propane	Industrial Equipment	Forged Steel Fittings	100-12	1512056	COUPLING,3/4", SCH 80, FORGED STEEL
Propane	Industrial Equipment	Forged Steel Fittings	100-16	1521710	COUPLING, 1", BLACK STEEL, SCH 80
Propane	Industrial Equipment	Forged Steel Fittings	103-12	1518338	ELBOW, 3/4", SCH 80, 45 DEGREE
Propane	Industrial Equipment	Forged Steel Fittings	103-16	1541890	ELBOW,1", SCH 80, 45 DEG,FORGED STEEL
Propane	Industrial Equipment	Forged Steel Fittings	103-20	1538713	ELBOW,1 1/4", BLK STEEL, SCH 80, 45 DEG
Propane	Industrial Equipment	Forged Steel Fittings	104-04	1537920	ELBOW, 1/4", BLACK STEEL, SCH 80
Propane	Industrial Equipment	Forged Steel Fittings	104-08	1503222	ELBOW, 1/2", SCH 80, 90 DEGREE
Propane	Industrial Equipment	Forged Steel Fittings	104-12	1521703	ELBOW,3/4", SCH 80,90 DEG,FORGED STEEL
Propane	Industrial Equipment	Forged Steel Fittings	104-16	1521707	ELBOW, 1", SCH 80, BLACK STEEL, 90 DEGR
Propane	Industrial Equipment	Forged Steel Fittings	104-20	1523457	ELBOW, 1 1/4", 90 DEGREE,SCH 80
Propane	Industrial Equipment	Forged Steel Fittings	104-24	1523518	ELBOW, 1 1/2", SCH 80, 90 DEG
Propane	Industrial Equipment	Forged Steel Fittings	105-12	1502974	PLUG, 3/4", SCH 80,HEX HEAD, BLACK PIPE,
Propane	Industrial Equipment	Forged Steel Fittings	105-16	1507092	PLUG, 1", SCH 80, HEX HEAD, FORGED STEEL
Propane	Industrial Equipment	Forged Steel Fittings	105-20	1502976	PLUG,1 1/4", SCH 80, BLACK PIPE
Propane	Industrial Equipment	Forged Steel Fittings	105-32	1503235	PLUG, 2", SCH80, FORGED STEEL
Propane	Industrial Equipment	Forged Steel Fittings	106-0802	1546343	BUSHING, 1/2" X 1/8, SCH 80,BLK STEEL
Propane	Industrial Equipment	Forged Steel Fittings	106-1208	1537969	BUSHING,3/4 x 1/2, SCH 80, 603145,
Propane	Industrial Equipment	Forged Steel Fittings	106-1604	1537760	BUSHING, 1 X 1/4, BLACK STEEL, SCH 80
Propane	Industrial Equipment	Forged Steel Fittings	106-1608	1502991	BUSHING, 1 x 1/2, HEX, SCH 80, BLACK STE
Propane	Industrial Equipment	Forged Steel Fittings	106-1612	1507203	BUSHING, 603170, 1"X3/4" SCH80
Propane	Industrial Equipment	Forged Steel Fittings	106-2012	1512063	BUSHING,1 1/4" X 3/4" HEX, SCH 80
Propane	Industrial Equipment	Forged Steel Fittings	106-2016	1523396	BUSHING, 1 1/4" X 1", SCH 80, HEX, STEEL
Propane	Industrial Equipment	Forged Steel Fittings	106-2420	1537966	BUSHING, 1 1/2 X 1 1/4, SCH 80, BLK STEE
Propane	Industrial Equipment	Forged Steel Fittings	107-1204	1547532	COUPLING, 107-1204, SCH 80, REDUCING,
Propane	Industrial Equipment	Forged Steel Fittings	107-1208	1502983	COUPLING,3/4 X 1/2,SCH 80,BLACK PIPE
Propane	Industrial Equipment	Forged Steel Fittings	107-1612	1502973	COUPLING, 1 X 3/4, SCH 80, REDUCING,
Propane	Industrial Equipment	Forged Steel Fittings	107-2012	1520048	COUPLING, 1-1/4X3/4, BLACK, SCH 80,
Propane	Industrial Equipment	Forged Steel Fittings	107-2016	1540615	REDUCER, 1 1/4 X 1", SCH 80,COUPLING
Propane	Industrial Equipment	Forged Steel Fittings	107-2416	1540244	COUPLING, 1 1/2 X 1", SCH 80, REDUCING
Propane	Industrial Equipment	Forged Steel Fittings	108-08	1528256	TEE, 1/2" SCH 80, FORGED STEEL
Propane	Industrial Equipment	Forged Steel Fittings	108-12	1523401	TEE, 3/4", SCH 80, BLACK STEEL
Propane	Industrial Equipment	Forged Steel Fittings	108-16	1518737	FITTING, TEE,1",SCH 80,BLACK PIPE
Propane	Industrial Equipment	Forged Steel Fittings	108-20	1513054	TEE, 1 1/4", BLACK STEEL, SCH80,
Propane	Industrial Equipment	Forged Steel Fittings	108-32	1522762	TEE, 2", SCH 80, FORGED STEEL,
Propane	Industrial Equipment	Forged Steel Fittings	109-08	1503238	UNION, 1/2", BLACK, SCH 80, FS
Propane	Industrial Equipment	Forged Steel Fittings	109-12	1503239	UNION, 3/4", SCH 80, BLACK PIPE
Propane	Industrial Equipment	Forged Steel Fittings	109-16	1505207	UNION, 1", SCH 80, FORGED STEEL
Propane	Industrial Equipment	Forged Steel Fittings	109-20	1537967	UNION, 1-1/4", SCH 80,STEEL
Propane	Industrial Equipment	Forged Steel Fittings	109-24	1503240	UNION, 1 1/2", SCH 80, BLACK PIPE
Propane	Industrial Equipment	Forged Steel Fittings	109-32	1522763	UNION, SCH 80, 2", BLACK STEEL
Propane	Industrial Equipment	Forged Steel Fittings	110-04	1538904	ELBOW, 1/4", BLACK STEEL, SCH 80, STREET
Propane	Industrial Equipment	Forged Steel Fittings	110-12	1516031	ELBOW,90 DEG, 3/4 STREET, SCH 80
Propane	Industrial Equipment	Forged Steel Fittings	110-20	1543737	ELBOW,1 1/4",90 DEG,SCH 80,STREET
Propane	Industrial Equipment	Forged Steel Fittings	110-32	1522761	ELBOW, 90 DEGREE, 2" SCH 80, FORGED ST
Propane	Industrial Equipment	Forged Steel Fittings	114-16	1521713	CAP, 1", SCH 80, FORGED STEEL
Propane	Industrial Equipment	Forged Steel Fittings	114-32	1503311	CAP, 2" SCH 80, FORGED STEEL
Propane	Industrial Equipment	Forged Steel Flanges	48/3F/SO	1521504	FLANGE,48/3F/BL, 3"
Propane	Industrial Equipment	Forged Steel Flanges	48/3R/BL	1541686	FLANGE,48/3R/BL, RF BLIND

Line of Business	Category	Item Group	RMI Item #	B2B Item #	Description
Propane	Industrial Equipment	Forged Steel Nipples	121-00	1507801	NIPPLE, 1/4 X CLOSE, SCH 80,
Propane	Industrial Equipment	Forged Steel Nipples	121-015	1502872	NIPPLE,1/4" X 1 1/2",SCH 80, STEEL PIPE
Propane	Industrial Equipment	Forged Steel Nipples	121-02	1540960	NIPPLE,1/4 X 2, BLACK STEEL, SCH 80
Propane	Industrial Equipment	Forged Steel Nipples	123-00	1502866	NIPPLE, 1/2", SCH 80, CLOSE, STEEL
Propane	Industrial Equipment	Forged Steel Nipples	123-02	1503152	NIPPLE 1/2 X 2", SCH 80, FORGED STEEL
Propane	Industrial Equipment	Forged Steel Nipples	123-03	1523023	NIPPLE, SCH 80, 1/2" x 3", BLACK STEEL
Propane	Industrial Equipment	Forged Steel Nipples	123-04	1521506	NIPPLE,1/2 x 4",SCH 80, FORGED STEEL
Propane	Industrial Equipment	Forged Steel Nipples	123-06	1539462	NIPPLE,1/2 x 6", SCH 80, FORGED STEEL
Propane	Industrial Equipment	Forged Steel Nipples	124-00	1502867	NIPPLE, CLOSE, 3/4", SCH 80
Propane	Industrial Equipment	Forged Steel Nipples	124-015	1502874	NIPPLE, 3/4" MPT X 1 1/2" MPT, SCH 80,
Propane	Industrial Equipment	Forged Steel Nipples	124-02	1502878	NIPPLE, 3/4" X 2", SCH 80, BLACK STEEL
Propane	Industrial Equipment	Forged Steel Nipples	124-025	1522766	NIPPLE, 3/4 x 2 1/2",SCH 80, BLACK STEE
Propane	Industrial Equipment	Forged Steel Nipples	124-03	1521777	NIPPLE,3/4" X 3", SCH 80, FORGED STEEL
Propane	Industrial Equipment	Forged Steel Nipples	124-04	1503298	NIPPLE, 3/4" X 4", SCH 80, FORGED STEEL
Propane	Industrial Equipment	Forged Steel Nipples	124-05	1533157	NIPPLE, 3/4 X 5", SCH 80, FORGED STEEL
Propane	Industrial Equipment	Forged Steel Nipples	124-06	1503299	NIPPLE, 3/4" X 6", SCH 80,FORGED STEEL
Propane	Industrial Equipment	Forged Steel Nipples	124-10	1533151	NIPPLE, 3/4 X 10", SCH 80,
Propane	Industrial Equipment	Forged Steel Nipples	124-12	1523531	NIPPLE, 3/4" X 12, SCH 80, FORGED STEEL
Propane	Industrial Equipment	Forged Steel Nipples	125-00	1521718	NIPPLE, 1", SCH 80, CLOSE, STEEL
Propane	Industrial Equipment	Forged Steel Nipples	125-02	1502879	NIPPLE, 1" X 2", SCH 80,BLACK STEEL
Propane	Industrial Equipment	Forged Steel Nipples	125-03	1503340	NIPPLE, 1" X 3", SCH 80, BLACK STEEL
Propane	Industrial Equipment	Forged Steel Nipples	125-04	1528345	NIPPLE, 1 x 4, SCH 80, BLK STEEL
Propane	Industrial Equipment	Forged Steel Nipples	125-06	1522764	NIPPLE, 1" X 6", SCH 80, BLACK STEEL
Propane	Industrial Equipment	Forged Steel Nipples	125-08	1503135	NIPPLE,1 X 8, BLACK STEEL, SCH 80
Propane	Industrial Equipment	Forged Steel Nipples	125-12	1522765	NIPPLE, 1" X 12", SCH 80, BLACK STEEL
Propane	Industrial Equipment	Forged Steel Nipples	126-00	1507650	NIPPLE, 1 1/4" X CLOSE, STEEL,SCH 80
Propane	Industrial Equipment	Forged Steel Nipples	126-02	1502880	NIPPLE, 1 1/4" MPT X 2" MPT, SCH 80,
Propane	Industrial Equipment	Forged Steel Nipples	126-03	1537972	NIPPLE, 1-1/4" X 3", STEEL, SCH 80,
Propane	Industrial Equipment	Forged Steel Nipples	126-04	1520585	NIPPLE, 1 1/4 x 4", BLACK STEEL, SCH 80
Propane	Industrial Equipment	Forged Steel Nipples	126-05	1503208	NIPPLE, 1 1/4" X 5", BLACK STEEL, SCH 80
Propane	Industrial Equipment	Forged Steel Nipples	126-06	1537973	NIPPLE, 1-1/4" X 6", SCH 80, STEEL
Propane	Industrial Equipment	Forged Steel Nipples	126-08	1543736	NIPPLE, 1 1/4 X 8,BLACK PIPE, SCH 80
Propane	Industrial Equipment	Forged Steel Nipples	126-10	1503205	NIPPLE, 1 1/4" X 2",SCH 80, BLK STEEL
Propane	Industrial Equipment	Forged Steel Nipples	126-12	1523398	NIPPLE, 1 1/4" X 12",BLACK STEEL, SCH 80
Propane	Industrial Equipment	Forged Steel Nipples	127-03	1507799	NIPPLE, 1 1/2 X 3, SCH 80, STEEL
Propane	Industrial Equipment	Forged Steel Nipples	127-05	1503131	NIPPLE, 1 X 5", SCH 80, BLACK STEEL
Propane	Industrial Equipment	Forged Steel Nipples	128-00	1503319	NIPPLE, 2" X CLOSE, SCH 80, FORGED STEEL
Propane	Industrial Equipment	Forged Steel Nipples	128-04	1522767	NIPPLE, SCH 80 2" X 4", FORGED STEEL,
Propane	Industrial Equipment	Forged Steel Nipples	128-06	1503288	NIPPLE, 2" X 6", BLACK STEEL, SCH 80
Propane	Industrial Equipment	Hannay Parts	9902.1612	1549504	BEARING, 9902.1612, HANNAY,1 1/2 BEARING
Propane	Industrial Equipment	Hannay Parts	9910.0917	1542792	SPROCKET, 9910.0917, HANNAY,1 5/16"
Propane	Industrial Equipment	Hannay Parts	9910.0919	1542796	SPROCKET, 9910.0919, HANNAY,1 3/4"
Propane	Industrial Equipment	Hannay Parts	9914.0393	1542974	GEAR, 9914.0393, HANNAY, PINION, H-27
Propane	Industrial Equipment	Hannay Parts	9914.0433	1548771	PAD,9914.0433,HANNAY,BRAKE,
Propane	Industrial Equipment	Hannay Parts	9917.0062	1537918	NUT, 9917.0062, HANNAY, NUMBER 6
Propane	Industrial Equipment	Hannay Parts	9917.0207	1504838	BRACKET, 9917.0207, HANNAY
Propane	Industrial Equipment	Hannay Parts	9919.0005	1545695	VALVE,9919.0005,HANNAY,SCHRADER,
Propane	Industrial Equipment	Hannay Parts	9939.0062	1543011	ASSEMBLY,9939.0062,HANNAY,HOSE REEL
Propane	Industrial Equipment	Hannay Parts	9945.1003	1520318	PINLOCK, 9945.1003, HANNAY, ASSEMBLY
Propane	Industrial Equipment	Hannay Parts	9945.1005	1542114	BOLT,9945.1005,HANNAY,ROLLER
Propane	Industrial Equipment	Hannay Parts	9947.0090	1540874	ASSEMBLY, 9947.0090, HANNAY, COMET BRAKE
Propane	Industrial Equipment	Hannay Parts	83280	1504728	COVER, 9917.0008, 83280, HANNAY, RUBBER,
Propane	Industrial Equipment	Hannay Parts	90018	1504729	SWITCH, 9917.0006, 90018, HANNAY, LESS
Propane	Industrial Equipment	Hannay Parts	001XXX	1504732	MOTOR, 9915.0003, HANNAY,EXPLOSION PROOF
Propane	Industrial Equipment	Hannay Parts	002XXX	1504826	MOTOR, 9915.0013, HANNAY,EXPLOSION PROOF
Propane	Industrial Equipment	Hannay Parts	003XXX	1504733	MOTOR,9915.0014,HANNAY,003,
Propane	Industrial Equipment	Hannay Parts	11T35A	1504660	SPROCKET, 9910.1116, HANNAY, MOTOR,
Propane	Industrial Equipment	Hannay Parts	11T35B	1504661	SPROCKET, 9910-1118, HANNAY, MOTOR,
Propane	Industrial Equipment	Hannay Parts	11T35C	1545356	SPROCKET,9910.1119,HANNAY,1 3/4 LONG
Propane	Industrial Equipment	Hannay Parts	11T35D	1537686	SPROCKET, 11T35D, HANNAY, 1 1/16"
Propane	Industrial Equipment	Hannay Parts	35C10	1522975	CHAIN, 9912.0001, HANNAY,
Propane	Industrial Equipment	Hannay Parts	40C10	1542798	CHAIN, 9912.0008, HANNAY,40C10,
Propane	Industrial Equipment	Hannay Parts	EPS-1	1504648	SWITCH, EPS-1, HANNAY,9917.0200
Propane	Industrial Equipment	Hannay Parts	EXPB-2A	1504653	SWITCH, 9917.0001, EXPB-2A, HANNAY,
Propane	Industrial Equipment	Hannay Parts	FH-3	1504656	ASSEMBLY, FH-3, 9939.0042, COMPLETE
Propane	Industrial Equipment	Hannay Parts	FH-302	1547582	BLOCK,9940.0006,HANNAY,FH-302
Propane	Industrial Equipment	Hannay Parts	GM-108	1542113	BALL BEARING,GM-108,HANNAY,FOR 109
Propane	Industrial Equipment	Hannay Parts	GM-608	1542112	BALL BEARING,GM-608,HANNAY,FOR 609
Propane	Industrial Equipment	Hannay Parts	GMX-609	1548835	ROLLER, GMX-609, HANNAY, W/BEARING FOR
Propane	Industrial Equipment	Hannay Parts	GM-X-EP	1548886	GUIDEMASTER, GM-X-EP, HANNAY,COMPLETE
Propane	Industrial Equipment	Hannay Parts	HR-23	1543687	INSERT,HR-23,HANNAY,BALL BEARING,1"
Propane	Industrial Equipment	Hannay Parts	HR-25	1517058	BEARING, HR-25, HANNAY, SELF-ALIGN BALL
Propane	Industrial Equipment	Hannay Parts	HR-27	1520108	KEYWAY, HR-27, SPROCKET, HANNAY
Propane	Industrial Equipment	Hannay Parts	HR-35	1537507	MASTERLINK, HR35, HANNAY
Propane	Industrial Equipment	Hannay Parts	JBC-1	1524680	JUNCTION, JBC-1, BOX

Line of Business	Category	Item Group	RMI Item #	B2B Item #	Description
Propane	Industrial Equipment	Plant & Industrial Tools	2217	1549277	FLASHLIGHT,2217,LED,CLASS 1,DIV 1
Propane	Industrial Equipment	Plant & Industrial Tools	31030-24	1539439	WRENCH, 31030-24, RIGID, STR PIPE
Propane	Industrial Equipment	Plant & Industrial Tools	31105-824	1538823	WRENCH, 31105-824, RIGID, 24", ALUMINUM
Propane	Industrial Equipment	Plant & Industrial Tools	31110-836	1539982	WRENCH, 31110-836, RIGID, 36", ALUMINUM
Propane	Industrial Equipment	Plant & Industrial Tools	632-37830	1538865	DIE SET, 632-37830, 3/4" 14 NPT DIE ONLY
Propane	Industrial Equipment	Plant & Industrial Tools	632-37835	1538866	DIE SET, 632-37835, 1" - 11 1/2 NPT,
Propane	Industrial Equipment	Plant & Industrial Tools	632-37840	1538867	DIE SET, 632-37840, 1 1/4- 11 1/2 NPT,
Propane	Industrial Equipment	Plant & Industrial Tools	632-37845	1538868	DIE SET, 632-37845, 1 1/2 - 11 1/2 NPT,
Propane	Industrial Equipment	Plant & Industrial Tools	632-37850	1538869	DIE SET, 632-37850, 2" - 11 1/2 NPT,
Propane	Industrial Equipment	Plant & Industrial Tools	632-38625	1538863	CASE, 632-38625, METAL, HOLD 6 DIE HEADS
Propane	Industrial Equipment	Plant & Industrial Tools	632-65990	1542555	DIE HEAD, 632-65990, COMPLETE, 2 INCH,
Propane	Industrial Equipment	Plant Equipment	020064	1512827	TUBING, 020064, 1/4", 100 FT ROLL, BLACK
Propane	Industrial Equipment	Plant Equipment	020064-500	1543338	TUBING,020064-500,1/4",BLACK POLYETHYLEN
Propane	Industrial Equipment	Plant Equipment	105/300	1512853	GAUGE, 105/300, 0-300# PRESSURE
Propane	Industrial Equipment	Plant Equipment	132-12400	1518391	STUD, 132-12400, 3/4 X 4
Propane	Industrial Equipment	Plant Equipment	132-12450	1528266	STUD, 132-12450, 3/4" X 4 1/2" W/ NUTS
Propane	Industrial Equipment	Plant Equipment	150/1800	1543681	GASKET,150/1800,SPIRAL WOUND,18" 150LB
Propane	Industrial Equipment	Plant Equipment	1532-0240	1537891	SIGHT FLOW, 1532-0240, VISI FLO, 3/4",
Propane	Industrial Equipment	Plant Equipment	1532-0250	1539880	SIGHT GLASS, 1532-0250, OPW ENGINEERED
Propane	Industrial Equipment	Plant Equipment	300/0300	1545628	GASKET, 300-0300, 3 INCH, SPIRAL WOUND
Propane	Industrial Equipment	Plant Equipment	AN11001	1543738	CAP,AN11001, 3/4", ANTHES WEATHER
Propane	Industrial Equipment	Plant Equipment	AN11002	1528267	CAP, AN11002, WEATHER
Propane	Industrial Equipment	Plant Equipment	AN11006	1536299	CAP, AN11006, ANTHES WEATHER
Propane	Industrial Equipment	Plant Equipment	AN11011	1512852	CAP, AN11011, RAIN
Propane	Industrial Equipment	Plant Equipment	AN11015	1547375	CAP,AN11015,4",ANTHES WEATHER,#14
Propane	Industrial Equipment	Plant Equipment	AQ62DOT4	1538220	UNION, AQ62DOT4, TUBE X TUBE, 1/4"
Propane	Industrial Equipment	Plant Equipment	AQ64DOT4	1538221	TEE, AQ64DOT4, 1/4" TUBE TEE, BRASS
Propane	Industrial Equipment	Plant Equipment	AQ68DOT4X2	1538244	ADAPTOR, AQ68DOT4X2, 1/8 MNPT X 1/4 TUBE
Propane	Industrial Equipment	Plant Equipment	AQ68DOT4X4	1538245	ADAPTOR, AQ68DOT4X4, 1/4 MNPT X 1/4 TUBE
Propane	Industrial Equipment	Plant Equipment	AQ69DOT4X2	1538246	ELBOW, AQ69DOT4X2, 1/8 MNPT X 1/4 TUBE
Propane	Industrial Equipment	Plant Equipment	AQ69DOT4X4	1538247	ELBOW, AQ69DOT4X4, 1/4 MNPT X 1/4 TUBE
Propane	Industrial Equipment	Plant Equipment	AQ72DOT4X2	1543589	TEE, AQ72DOT4X2, 1/8 MNPT X 1/4 TUBE, BRAN
Propane	Industrial Equipment	Plant Equipment	AQ72DOT4X4	1543337	TEE, AQ72DOT4X4, 1/4 MNPT X 1/4 TUBE, BRAN
Propane	Industrial Equipment	Plant Equipment	CB12X4DLT	1538714	BINDER, CB12X4DLT, 12 FT, DELTA HOOK END
Propane	Industrial Equipment	Plant Equipment	CB12X4FH	1538223	RATCHET STRAP, CB12X4FH, 12 FT, FLAT HOOKS
Propane	Industrial Equipment	Plant Equipment	CB12X4FSH	1512514	BINDER, CB12X4FSH, RMI, CARGO, HEAVY
Propane	Industrial Equipment	Plant Equipment	CRADLE-ALUM	1539840	CRADLE, ALUMINUM, TRUCK, FOR 500/1000 GA
Propane	Industrial Equipment	Plant Equipment	FLEX 1 1/4-14	1512412	CONNECTOR, 1-1/4-14", FLEX, DBL. BRAID, SS
Propane	Industrial Equipment	Plant Equipment	FLEX 1/2-12	1520617	CONNECTOR, FLEX 1/2 X 12, FOR LIQUID LP
Propane	Industrial Equipment	Plant Equipment	FLEX 1-12	1512411	CONNECTOR, FLEX1-12, FLEXIBLE, DBL BRAID
Propane	Industrial Equipment	Plant Equipment	FLEX 2-18	1513019	CONNECTOR, FLEX2-18, FLEXIBLE, SS FOR
Propane	Industrial Equipment	Plant Equipment	FLEX 2-24	1517375	CONNECTOR, 2" X 24", FLEX, DBL BRAIDED
Propane	Industrial Equipment	Plant Equipment	FLEX 3/4-12	1520616	CONNECTOR, FLEX 3/4 X 12, FOR LIQUID LP
Propane	Industrial Equipment	Plant Equipment	FLEX 1-1/4-12	1542252	CONNECTOR, FLEX 1-1/4-12, DBL BRAID, FLEX
Propane	Industrial Equipment	Plant Equipment	G18A425C-GDBW	1543536	VALVE, G18A425C-GDBW, SOLENOID, MAGNATROL
Propane	Industrial Equipment	Plant Equipment	GV-100-S-TR	1547727	SAMPLING PUMP, GV-100 S, GASTEC,
Propane	Industrial Equipment	Plant Equipment	K-COMP	1524813	COMPRESSOR, K-COMP, TANK EVACUATION
Propane	Industrial Equipment	Plant Equipment	K-DIP STICK	1538927	DIPSTICK, K-DIP-STICK, KRUG
Propane	Industrial Equipment	Plant Equipment	K-GAS	1525551	COMPRESSOR, K-GAS, KRUG, GASOLINE DRIVEN
Propane	Industrial Equipment	Plant Equipment	K-HP	1533262	HAND PUMP, K-HP, KRUG,
Propane	Industrial Equipment	Plant Equipment	K-LPG	1523586	COMPRESSOR, K-LPG KRUG, EVACUATION
Propane	Industrial Equipment	Plant Equipment	K-MOTOR	1540751	MOTOR, K-MOTOR, KRUG,
Propane	Industrial Equipment	Plant Equipment	K-PULLEY	1538079	PULLEY, K-PULLEY, KRUG, 8" DIA
Propane	Industrial Equipment	Plant Equipment	LO-90/95	1542398	COUPLING, LO-90-5/8, BRUENING,
Propane	Industrial Equipment	Plant Equipment	LO-90-11/16	1544272	COUPLING, LO-90-11/16, SHAFT,
Propane	Industrial Equipment	Plant Equipment	LO-90-5/8	1544271	INSERT, LO-90/95, SPIDER RUBBER
Propane	Industrial Equipment	Plant Equipment	ME202	1547607	SNUBBER, ME202, MEC, 1/4" MNPT X 1/4" FNPT 54
Propane	Industrial Equipment	Plant Equipment	ME650S	1543463	STRAINER, ME650S, MEC, 1/2"
Propane	Industrial Equipment	Plant Equipment	ME652S	1545714	Y-STRAINER, ME652S, MARSH EXCEL, WO PLUG
Propane	Industrial Equipment	Plant Equipment	ME653S	1542453	STRAINER, ME653S, MEC, 1-1/4" FNPT X 1-1/4
Propane	Industrial Equipment	Plant Equipment	ME655S	1546095	STRAINER, ME655S, MEC, 2" FNPT X 2" FNPT, Y,
Propane	Industrial Equipment	Plant Equipment	ME861S-6	1538871	COUPLING, ME861S-6, MARSH EXCEL,
Propane	Industrial Equipment	Plant Equipment	MEJ402S	1543677	VALVE, MEJ402S, MEC, RELIEF-BLEEDER,
Propane	Industrial Equipment	Plant Equipment	MEJ524	1547264	GAUGE, MEJ524, MARSH EXCEL, 2-1/2" DIAL,
Propane	Industrial Equipment	Plant Equipment	MEP128-6	1540531	COUPLING, MEP128-6, MARSH EXCEL
Propane	Industrial Equipment	Plant Equipment	MERCAPTAN-72L	1541927	STAIN TUBES, MERCAPTAN-72L, BOX OF 10,
Propane	Industrial Equipment	Plant Equipment	MINI-1	1512451	VALVE, MINI-1, PNEUMATIC AIR
Propane	Industrial Equipment	Plant Equipment	MPT-365-1/2	1541175	VALVE, MPT-365-1/2, MARWIN, 3 WAY BRASS
Propane	Industrial Equipment	Plant Equipment	NMF20BK	1526033	VALVE, NMF20BK, NEEDLE
Propane	Industrial Equipment	Plant Equipment	O-110	1502966	O-RING,, 110, POL, FOR POL NIPPLE
Propane	Industrial Equipment	Plant Equipment	O-114	1515757	O-RING, O-114, REPAIR, 1-1/4",
Propane	Industrial Equipment	Plant Equipment	O-210	1544664	ORINGS, O-210, ACME 1-1/4" BUNA-N,
Propane	Industrial Equipment	Plant Equipment	SVC100	1540735	VALVE, SVC100, QUICK ACTION, 1"
Propane	Industrial Equipment	Plant Equipment	SVC200	1546605	VALVE, SVC200, SWING CHECK, 2",
Propane	Industrial Equipment	Plant Equipment	T-10B	1537721	THERMOMETER, T-10B, TANK CAR
Propane	Industrial Equipment	Plant Equipment	VAC-FILL	1541719	ADAPTER, VAC-FILL, GAS KIT, FILL, FOR
Propane	Industrial Equipment	Smith Swivels	SMAC-112	1504836	SWIVEL, SMAC-112, SMITH, 1 1/2", 90
Propane	Industrial Equipment	Smith Swivels	SMAC-190LN	1541028	SWIVEL, SMAC-190LN, 1", SMITH TECH,
Propane	Industrial Equipment	Smith Swivels	SMAC-200	1538905	SWIVEL, SMAC-200, FULL CIRCLE, 2" STRAIGHT

Line of Business	Category	Item Group	RMI Item #	B2B Item #	Description
Propane	Industrial Equipment	Truck equipment	ASK300TX	1543174	TRANSMITTER,ASK300TX-PTE,BASE,
Propane	Industrial Equipment	Truck equipment	ASKW200TX	1546129	HANDHELD,ASKW200TX,BASE ENG,MOBILE
Propane	Industrial Equipment	Truck equipment	HRQXXX	1547100	CHOCK BLOCK,CONTOURED RUBBER ,RMI
Propane	Industrial Equipment	Truck equipment	LT-POUCH	1541090	CASE, CAS1000,BASE ENG, FOR REMOTE
Propane	Industrial Equipment	Truck equipment	LWCXXX	1535126	CHOCK BLOCK, LWC, SMALL SIZE,
Propane	Industrial Equipment	Truck equipment	MWCXXX	1534135	CHOCK BLOCK, MWC, MEDIUM SIZE
Propane	Meters & Parts	LC Parts	A2431	1501931	SCREEN, A2431, STRAINER FOR LC METER
Propane	Meters & Parts	Meters, Neptune, Bestrac	400051-001	1516712	METER, 400051-001, NEPTUNE,1" TYPE 4D
Propane	Meters & Parts	Neptune Parts	1000624	1518660	DIAPHRAM, 1000624, NEPTUNE, 1 1/4"TO
Propane	Meters & Parts	Neptune Parts	100025-002	1519981	U-CUP, 100025-002, NEPTUNE,
Propane	Meters & Parts	Neptune Parts	100028-001	1521944	VALVE, 100028-001, NEPTUNE, 3/4",
Propane	Meters & Parts	Neptune Parts	100138-003	1538473	ORING, 100138-003, NEPTUNE,
Propane	Meters & Parts	Neptune Parts	100139-001	1543577	O-RING, 100139-001, NEPTUNE
Propane	Meters & Parts	Neptune Parts	100139-006	1539283	O-RING, 100139-006, SLEEVE SEAL
Propane	Meters & Parts	Neptune Parts	100139-007	1522457	O-RING, 100139-007, NEPTUNE,
Propane	Meters & Parts	Neptune Parts	100139-012	1501842	O-RING, 100139-012, NEPTUNE, 236, 3/4"
Propane	Meters & Parts	Neptune Parts	100139-022	1501907	O-RING, 100139-022, NEPTUNE, GASKET
Propane	Meters & Parts	Neptune Parts	100498-009	1501846	REGISTER, 100498-009, NEPTUNE,COMPLETE,
Propane	Meters & Parts	Neptune Parts	100498-016	1516971	REGISTER, 100498-016, NEPTUNE, 1" METER
Propane	Meters & Parts	Neptune Parts	100553-201	1518564	MASKS, 100553-201, NEPTUNE
Propane	Meters & Parts	Neptune Parts	101405-004	1501890	STRAINER, 101405-004, NEPTUNE,
Propane	Meters & Parts	Neptune Parts	101748-001	1543575	CHAMBER,101748-001NEPTUNE,1"
Propane	Meters & Parts	Neptune Parts	42075-101	1501808	CHAMBER, 42075-101, NEPTUNE, 3/4 - 1"
Propane	Meters & Parts	Neptune Parts	45806-101	1522745	CHAMBER,45806-101,NEPTUNE,MEASURING,
Propane	Meters & Parts	Neptune Parts	601522-001	1548633	GASKET,601522-001,3/4-1",VITON MAIN CASE
Propane	Meters & Parts	Neptune Parts	80905-012	1501812	GEAR, 80905-012, TRAIN, 3/4", NEPTUNE
Propane	Meters & Parts	Neptune Parts	80905-017	1501922	TRAIN, 080905-017,NEPTUNE,1"GEAR,
Propane	Meters & Parts	Neptune Parts	81230-030	1501816	GEAR, CHANGE, 81230-030, NEPTUNE,
Propane	Meters & Parts	Neptune Parts	82476-001	1516681	FLOAT,1 1/4"-1 1/2"-2",82476-001,NEPTUNE
Propane	Meters & Parts	Neptune Parts	82976-001	1525140	ASSEMBLY, 082976-001, NEPTUNE,STAR CONNE
Propane	Meters & Parts	Neptune Parts	83502-000	1501827	GEAR, 83502-000, NEPTUNE, TRAIN, 2", 3.7
Propane	Meters & Parts	Neptune Parts	83539-000	1519982	EXPANDER, 83539-000, NEPTUNE
Propane	Meters & Parts	Neptune Parts	83540-000	1520478	SPRING, 83540-000, BOX
Propane	Meters & Parts	Neptune Parts	84806-000	1501829	GASKET,84806-000,NEPTUNE,MAIN CASE
Propane	Meters & Parts	Neptune Parts	87185-000	1534500	STRAINER, 87185-000, NEPTUNE,
Propane	Meters & Parts	Neptune Parts	87188-001	1501839	ASSEMBLY, 87188-001, NEPTUNE,FLOAT,3/4"
Propane	Meters & Parts	Neptune Parts	87196-001	1540276	TUBE ASSY, 87196-001, NEPTUNE, REGISTER,
Propane	Meters & Parts	Neptune Parts	89274-006	1501840	ASSEMBLY, 89274-006, NEPTUNE, VALVE
Propane	Piping	1/4-1/2" Hose	LPGH-1/2	1533629	HOSE, LPGH-1/2, DAYCO, 1/2 INCH
Propane	Piping	1/4-1/2" Hose	LPGH-1/4	1533630	HOSE, LPGH-1/4, DAYCO, 1/4 INCH , LP GAS
Propane	Piping	1/4-1/2" Hose	LPGH-3/8	1533632	HOSE, LPGH-3/8, DAYCO, 3/8 INCH
Propane	Piping	American Meters	04972G118	1544940	INDEX,2LB,AC 250 METER
Propane	Piping	American Meters	39865W052	1544399	INDEX BOX,39865W052,W/DEXSEAL AM & AC250
Propane	Piping	American Meters	52548P010	1544473	SEAL,52548P010,AMERICAN, INDEX
Propane	Piping	American Meters	52870K161	1523824	PULSER, 52870K161,REMOTE VOLUME
Propane	Piping	American Meters	52935K005	1545966	INDEX,52935K005,2PSI,FOR AL-5000TC-CF
Propane	Piping	American Meters	AC-250TC-CF	1517034	METER, AC-250TC-CF, TOP MOUNT
Propane	Piping	American Meters	AC-630TC-CF	1540865	METER,AC-630TC-CF,AMERICAN
Propane	Piping	American Meters	AL-1000TC-CF	1537901	METER, AL1000TC-CF, AMERICAN
Propane	Piping	American Meters	AL-425TCH-CF	1517029	METER, AL-425TCH-CF, AMERICAN
Propane	Piping	American Meters	AL-425TCH-CFH	1538026	METER, AL-425TCH-CFH, AMERICAN
Propane	Piping	American Meters	AL-800TC-CF	1517112	METER, AL-800-TC-CF, AMERICAN
Propane	Piping	American Meters	AM-250TC-CF	1512077	METER, AM-250TC-CF, 3/4 SIDE MOUNT
Propane	Piping	American Meters	GASKET-250	1538237	GASKET, GASKET-250, CAP
Propane	Piping	American Meters	INDEX-10#/425	1540089	COMP INDEX, 10#, FOR AL-425
Propane	Piping	American Meters	INDEX-10#/800	1545975	INDEX,10#/800,COMP INDEX FOR AL-800/100
Propane	Piping	American Meters	SWIVELSET-425	1548167	REPLACEMENT PART,SWIVELSET-425, FOR AL425
Propane	Piping	Appl. Cnt. Food Srvc	16100BP-4	1533649	CONNECTOR, 16100BP-48, DORMONT, APPLIANC
Propane	Piping	Appl. Cnt. Food Srvc	16100BPQ-3	1508707	CONNECTOR, 16100BPQ-36, DORMONT, APPLIAN
Propane	Piping	Appl. Cnt. Food Srvc	16100BPQ-4	1508708	CONNECTOR, 16100BPQ-48, DORMONT, APPLIAN
Propane	Piping	Appl. Cnt. Food Srvc	16100BPQ-5	1508709	CONNECTOR,16100BPQ-60, DORMONT, APPLIAN
Propane	Piping	Appl. Cnt. Food Srvc	16100BPQ-6	1508710	CONNECTOR, 16100BPQ-72, DORMONT, APPLIAN
Propane	Piping	Appl. Cnt. Food Srvc	16125BP-4	1508718	CONNECTOR, 16125BP-48, DORMONT, APPLIANC
Propane	Piping	Appl. Cnt. Food Srvc	16125BPQ-4	1508723	CONNECTOR, 16125BPQ-48, DORMONT, APPLIAN
Propane	Piping	Appl. Cnt. Food Srvc	16125BPQ-5	1508724	CONNECTOR, 16125BPQ-60, DORMONT, APPLIAN
Propane	Piping	Appl. Cnt. Food Srvc	1650B-24	1508666	CONNECTOR, 1650B-24, DORMONT, APPLIANC
Propane	Piping	Appl. Cnt. Food Srvc	1650B-72	1508670	CONNECTOR, 1650B-72, DORMONT, APPLIANC
Propane	Piping	Appl. Cnt. Food Srvc	1650BP-24	1508671	CONNECTOR, 1650BP-24, DORMONT, APPLIANC
Propane	Piping	Appl. Cnt. Food Srvc	1650BP-36	1508672	CONNECTOR, 1650BP-36, DORMONT, APPLIANC
Propane	Piping	Appl. Cnt. Food Srvc	1650BP-48	1508673	CONNECTOR, 1650BP-48, DORMONT, APPLIANC
Propane	Piping	Appl. Cnt. Food Srvc	1650BP-60	1508674	CONNECTOR, 1650BP-60, DORMONT, APPLIANC
Propane	Piping	Appl. Cnt. Food Srvc	1650BPQ-2	1508676	CONNECTOR, 1650BPQ-24, DORMONT, APPLIAN
Propane	Piping	Appl. Cnt. Food Srvc	1650BPQ-3	1508677	CONNECTOR,1650BPQ-36, DORMONT,APPLIANC
Propane	Piping	Appl. Cnt. Food Srvc	1650BPQ-4	1508678	CONNECTOR, 1650BPQ-48, DORMONT, APPLIANC
Propane	Piping	Appl. Cnt. Food Srvc	1650BPQ-6	1508680	CONNECTOR, 1650BPQ-72, DORMONT, APPLIANC
Propane	Piping	Appl. Cnt. Food Srvc	1650NPF5-48	1508728	CONNECTOR, 1650NPF5-48, DORMONT,
Propane	Piping	Appl. Cnt. Food Srvc	1675B-24	1508681	CONNECTOR, 1675B-24, DORMONT, APPLIANC
Propane	Piping	Appl. Cnt. Food Srvc	1675B-48	1508683	CONNECTOR, 1675B-48, DORMONT, APPLIANC
Propane	Piping	Appl. Cnt. Food Srvc	1675B-72	1508685	CONNECTOR, 1675B-72, DORMONT, APPLIANC



ALL Products by Category



Line of Business	Category	Item Group	RMI Item #	B2B Item #	Description
Propane	Piping	Appl. Cnt. Food Srvc	1675BP-3	1508687	CONNECTOR, 1675BP-36, DORMONT, APPLIANCE
Propane	Piping	Appl. Cnt. Food Srvc	1675BP-4	1508688	CONNECTOR, 1675BP-48, DORMONT, APPLIANCE
Propane	Piping	Appl. Cnt. Food Srvc	1675BP-5	1508689	CONNECTOR, 1675BP-60, DORMONT, APPLIANCE
Propane	Piping	Appl. Cnt. Food Srvc	1675BP-6	1508690	CONNECTOR, 1675BP-72, DORMONT, APPLIANCE
Propane	Piping	Appl. Cnt. Food Srvc	1675BPQ-3	1508692	CONNECTOR, 1675BPQ-36, DORMONT, APPLIANC
Propane	Piping	Appl. Cnt. Food Srvc	1675BPQ-4	1508693	CONNECTOR, 1675BPQ-48, DORMONT, APPLIANC
Propane	Piping	Appl. Cnt. Food Srvc	1675BPQ-5	1508694	CONNECTOR, 1675BPQ-60, DORMONT, APPLIANC
Propane	Piping	Appl. Cnt. Food Srvc	1675BPQ-6	1508695	CONNECTOR, 1675BPQ-72, DORMONT, APPLIANC
Propane	Piping	Appl. Cnt. Food Srvc	1675NPFS-48	1508733	CONNECTOR, 1675NPFS-48, DORMONT, APPLIANCE
Propane	Piping	Appl. Cnt. Food Srvc	A75-M/F	1539406	DISCONNECT, A75M/F, DORMONT, QUICK
Propane	Piping	Appl. Cnt. Food Srvc	RDC-36	1508738	RESTRAINER, RDC-36", DORMONT
Propane	Piping	Appl. Cnt. Food Srvc	RDC-48	1508739	RESTRAINER, RDC-48", DORMONT
Propane	Piping	Appl. Cnt. Food Srvc	RDC-60	1508740	RESTRAINER, RDC-60", DORMONT
Propane	Piping	Appl. Cnt.10,20,30 series	10-2132-48	1512292	CONNECTOR, 10-2132-48, DORMONT, 48"
Propane	Piping	Appl. Cnt.10,20,30 series	10-3131-12	1533640	CONNECTOR, 10-3131-12 DORMONT, FLEX GAS
Propane	Piping	Appl. Cnt.10,20,30 series	10-3131-18	1533641	CONNECTOR, 10-3131-18, DORMONT, FLEX GAS
Propane	Piping	Appl. Cnt.10,20,30 series	10-3131-24	1533642	CONNECTOR, 10-3131-24, DORMONT, FLEX GAS
Propane	Piping	Appl. Cnt.10,20,30 series	10-3131-30	1533643	CONNECTOR, 10-3131-30, DORMONT, FLEX GAS
Propane	Piping	Appl. Cnt.10,20,30 series	10-3131-36	1533644	CONNECTOR, 10-3131-36, DORMONT, FLEX GAS
Propane	Piping	Appl. Cnt.10,20,30 series	10-3131-48	1533645	CONNECTOR, 10-3131-48, DORMONT, FLEX GAS
Propane	Piping	Appl. Cnt.10,20,30 series	10-3131-60	1533646	CONNECTOR, 10-3131-60, DORMONT, FLEX GAS
Propane	Piping	Appl. Cnt.10,20,30 series	10-3131-72	1533647	CONNECTOR, 10-3131-72, DORMONT, FLEX GAS
Propane	Piping	Appl. Cnt.10,20,30 series	10-3132-18	1508921	CONNECTOR, 10-3132-18, DORMONT, WITH
Propane	Piping	Appl. Cnt.10,20,30 series	10-3132-24	1508846	CONNECTOR, 10-3132-24, DORMONT
Propane	Piping	Appl. Cnt.10,20,30 series	10-3135-18	1533648	CONNECTOR, 10-3135-18, DORMONT, FLEX GAS
Propane	Piping	Appl. Cnt.10,20,30 series	10A-2121-18	1548131	Connector, 10A-2121-18, Dormont, 3/8"x18"
Propane	Piping	Appl. Cnt.10,20,30 series	10A-2121-24	1546978	CONNECTOR, 10A-2121-24, DORMONT, 3/8ODx 24
Propane	Piping	Appl. Cnt.10,20,30 series	10A-2131-12	1537731	CONNECTOR, 10A-2131-12, DORMONT, GAS
Propane	Piping	Appl. Cnt.10,20,30 series	10A-2131-18	1537732	CONNECTOR, 10A-2131-18, DORMONT, GAS
Propane	Piping	Appl. Cnt.10,20,30 series	10A-2131-24	1541990	CONNECTOR, 10A-2131-24, DORMONT, GAS
Propane	Piping	Appl. Cnt.10,20,30 series	20-3131-12	1508900	CONNECTOR, 20-3131-12, DORMONT, 1/2"OD,
Propane	Piping	Appl. Cnt.10,20,30 series	20-3131-18	1508901	CONNECTOR, 20-3131-18, DORMONT,
Propane	Piping	Appl. Cnt.10,20,30 series	20-3131-24	1508842	CONNECTOR, 20-3131-24, DORMONT, 1/2"MIP
Propane	Piping	Appl. Cnt.10,20,30 series	20-3131-30	1533077	CONNECTOR, 20-3131-30, DORMONT, FLEXLINE
Propane	Piping	Appl. Cnt.10,20,30 series	20-3131-36	1518413	CONNECTOR, 20-3131-36, DORMONT, FLEXLINE
Propane	Piping	Appl. Cnt.10,20,30 series	20-3131-48	1518750	CONNECTOR, 20-3131-48, DORMONT, 1/2"MIPx
Propane	Piping	Appl. Cnt.10,20,30 series	20-3131-60	1528228	CONNECTOR, 20-3131-60, DORMONT, 1/2"MIPx
Propane	Piping	Appl. Cnt.10,20,30 series	20-3132-12	1508765	CONNECTOR, 20-3132-12, DORMONT, APPLIANCE
Propane	Piping	Appl. Cnt.10,20,30 series	20-3132-18	1508766	CONNECTOR, 20-3132-18, DORMONT, APPLIANCE
Propane	Piping	Appl. Cnt.10,20,30 series	20-3132-24	1508767	CONNECTOR, 20-3132-24, DORMONT, APPLIANCE
Propane	Piping	Appl. Cnt.10,20,30 series	20-3132-30	1508768	CONNECTOR, 20-3132-30, DORMONT, APPLIANCE
Propane	Piping	Appl. Cnt.10,20,30 series	20-3132-36	1508769	CONNECTOR, 20-3132-36, DORMONT, APPLIANCE
Propane	Piping	Appl. Cnt.10,20,30 series	20-3132-48	1508770	CONNECTOR, 20-3132-48, DORMONT, APPLIANCE
Propane	Piping	Appl. Cnt.10,20,30 series	20-3132-60	1508771	CONNECTOR, 20-3132-60, DORMONT, APPLIANCE
Propane	Piping	Appl. Cnt.10,20,30 series	20-3132-72	1508772	CONNECTOR, 20-3132-72, DORMONT, APPLIANCE
Propane	Piping	Appl. Cnt.10,20,30 series	20A-2131-12	1541991	CONNECTOR, 20A-2131-12, DORMONT, GAS
Propane	Piping	Appl. Cnt.10,20,30 series	20A-2131-18	1541130	CONNECTOR, 20A-2131-18, DORMONT, GAS
Propane	Piping	Appl. Cnt.10,20,30 series	20A-2131-24	1541992	CONNECTOR, 20A-2131-24, DORMONT, GAS
Propane	Piping	Appl. Cnt.10,20,30 series	20A-2131-36	1548614	CONNECTOR, 20A-2131-36, DORMONT, BLACK
Propane	Piping	Appl. Cnt.10,20,30 series	20A-2132-18	1541754	CONNECTOR, 20A-2132-18, DORMONT
Propane	Piping	Appl. Cnt.10,20,30 series	20A-2132-24	1548612	CONNECTOR, 20A-2132-24, DORMONT, BLACK
Propane	Piping	Appl. Cnt.10,20,30 series	30-3131-12	1518409	CONNECTOR, 30-3131-12, DORMONT, 1/2"OD,
Propane	Piping	Appl. Cnt.10,20,30 series	30-3131-18	1535095	CONNECTOR, 30-3131-18, DORMONT,
Propane	Piping	Appl. Cnt.10,20,30 series	30-3131-24	1534433	CONNECTOR, 30-3131-24, APPLIANCE
Propane	Piping	Appl. Cnt.10,20,30 series	30-3131-36	1534434	CONNECTOR, 30-3131-36, APPLIANCE
Propane	Piping	Appl. Cnt.10,20,30 series	30-3131-48	1534435	CONNECTOR, 30-3131-48, APPLIANCE
Propane	Piping	Appl. Cnt.10,20,30 series	30-3131-60	1538876	CONNECTOR, 30-3131-60, DORMONT,
Propane	Piping	Appl. Cnt.10,20,30 series	30-3131-72	1512904	CONNECTOR, 30-3131-72, APPLIANCE
Propane	Piping	Appl. Cnt.10,20,30 series	30-3132-12	1508751	CONNECTOR, 30-3132-12, DORMONT, APPLIANCE
Propane	Piping	Appl. Cnt.10,20,30 series	30-3132-18	1508752	CONNECTOR, 30-3132-18, DORMONT, APPLIANCE
Propane	Piping	Appl. Cnt.10,20,30 series	30-3132-24	1508753	CONNECTOR, 30-3132-24, DORMONT, APPLIANCE
Propane	Piping	Appl. Cnt.10,20,30 series	30-3132-30	1508754	CONNECTOR, 30-3132-30, DORMONT, APPLIANCE
Propane	Piping	Appl. Cnt.10,20,30 series	30-3132-36	1508755	CONNECTOR, 30-3132-36, DORMONT, APPLIANCE
Propane	Piping	Appl. Cnt.10,20,30 series	30-3132-48	1508756	CONNECTOR, 30-3132-48, DORMONT, APPLIANCE
Propane	Piping	Appl. Cnt.10,20,30 series	30-3132-60	1508757	CONNECTOR, 30-3132-60, DORMONT, APPLIANCE
Propane	Piping	Appl. Cnt.10,20,30 series	30-3132-72	1508758	CONNECTOR, 30-3132-72, DORMONT, APPLIANCE
Propane	Piping	Appl. Cnt.10,20,30 series	30-3232-36	1534754	CONNECTOR, 30-3232-36, DORMONT,
Propane	Piping	Appl. Cnt.10,20,30 series	30-3232-48	1508908	CONNECTOR, 30-3232-48, DORMONT, APPLIACE
Propane	Piping	Appl. Cnt.10,20,30 series	40-4142-24	1508620	CONNECTOR, 40-4142-24, DORMONT
Propane	Piping	Appl. Cnt.10,20,30 series	40-4142-36	1508622	CONNECTOR, 40-4142-36, DORMONT
Propane	Piping	Appl. Cnt.10,20,30 series	40-4142-48	1508623	CONNECTOR, 40-4142-48, DORMONT
Propane	Piping	Appl. Cnt.10,20,30 series	40C-4142-48	1548588	CONNECTOR, 40c-4142-48, DORMONT, 3/4"
Propane	Piping	Appl. Cnt.10,20,30 series	41-4142-24	1508774	CONNECTOR, 41-4142-24, DORMONT
Propane	Piping	Appl. Cnt.10,20,30 series	41-4142-36	1508776	CONNECTOR, 41-4142-36, DORMONT
Propane	Piping	Appl. Cnt.10,20,30 series	41-4142-48	1508777	CONNECTOR, 41-4142-48, DORMONT
Propane	Piping	Appl. Cnt.10,20,30 series	51-5152-24	1508632	CONNECTOR, 51-5152-24, DORMONT
Propane	Piping	Appl. Cnt.10,20,30 series	51-5152-36	1508628	CONNECTOR, 50-5152-36, DORMONT
Propane	Piping	Appl. Cnt.10,20,30 series	51-5152-48	1508635	CONNECTOR, 51-5152-48, DORMONT
Propane	Piping	Appl. Cnt.10,20,30 series	90-3031	1533925	ADAPTER, 90-3031, 1/2MPT, DORMONT



ALL Products by Category



Line of Business	Category	Item Group	RMI Item #	B2B Item #	Description
Propane	Piping	Appl. Cnt.10,20,30 series	90-3041	1541788	FITTING,90-3041,DORMONT, 5/8FL X 3/4MPT
Propane	Piping	Brass POL & Acme Adaptors	1328	1540120	ADAPTOR, 1328, MARSH EXCEL, 3/8" OD
Propane	Piping	Brass POL & Acme Adaptors	1331	1540121	ADAPTOR, 1331, MARSH EXCEL, 1/2" OD
Propane	Piping	Brass POL & Acme Adaptors	1332	1540122	ADAPTOR, 1332, MARSH EXCEL, 5/8" OD
Propane	Piping	Brass POL & Acme Adaptors	858XXX	1507526	ADAPTER, 858, POL, ADAPTER MPOL X 1/4NPT
Propane	Piping	Brass POL & Acme Adaptors	A-1699	1534182	CAP, A-1699, MARSHALL EXCEL, FPOL CAP
Propane	Piping	Brass POL & Acme Adaptors	BH-38	1547534	FITTING,BH-38, MEC, 3/8" FLARE BULK HEAD
Propane	Piping	Brass POL & Acme Adaptors	G-1654	1537769	ADAPTOR, ME-1654, MARSHALL EXCELSIOR,
Propane	Piping	Brass POL & Acme Adaptors	GKPT-KIT	1540527	KIT, GKPT-KIT, 3 WAY TEST, TANK, LINE
Propane	Piping	Brass POL & Acme Adaptors	HAN10	1549515	COUPLING, HAN10, 1/4" MALE NPT PLUG
Propane	Piping	Brass POL & Acme Adaptors	HAN1000	1549513	SOCKET, HAN1000, HANSEN, 1/4" FNPT
Propane	Piping	Brass POL & Acme Adaptors	HAN100-006	1512054	COUPLING, HAN100-006, GAS MATE SOCKET 3/
Propane	Piping	Brass POL & Acme Adaptors	HAN100-008	1507124	SOCKET, 100-008, HANSEN
Propane	Piping	Brass POL & Acme Adaptors	HAN100-010	1540537	SOCKET, 100-010, HANSEN, 3/4
Propane	Piping	Brass POL & Acme Adaptors	HAN100-506	1512055	COUPLING, HAN-100-506, GAS MATE PLUG, 3/
Propane	Piping	Brass POL & Acme Adaptors	HAN100-508	1518415	PLUG, 100-508, HANSEN, MALE
Propane	Piping	Brass POL & Acme Adaptors	HAN100-510	1540538	PLUG, 100-510, HANSEN, GAS MATE, 3/4"
Propane	Piping	Brass POL & Acme Adaptors	HAN11	1545396	FITTING, HAN11, HANSEN, 1/4M QUICK DISCO
Propane	Piping	Brass POL & Acme Adaptors	HAN1100	1545871	SOCKET,HAN1100,HANSEN, 1/4"MNPT
Propane	Piping	Brass POL & Acme Adaptors	HAN1200	1507005	SOCKET, HAN1200, HANSEN, 3/8 FNPT
Propane	Piping	Brass POL & Acme Adaptors	HAN1300	1534170	COUPLING, HAN1300, HANSEN, 3/8" MALE NPT
Propane	Piping	Brass POL & Acme Adaptors	HAN14	1534171	FITTING, HAN14, HANSEN, 3/8, MALE NPT
Propane	Piping	Brass POL & Acme Adaptors	HAN15	1534172	FITTING, HAN15, HANSEN, 3/8, FEMALE NPT
Propane	Piping	Brass POL & Acme Adaptors	HAN16	1538170	BARB, HAN16, HANSEN, HOSE, 1/4"
Propane	Piping	Brass POL & Acme Adaptors	HANPSDC-2HK	1538316	PLUG, HANPSDC-2HK, PLASTIC DUST, 3/8" SO
Propane	Piping	Brass POL & Acme Adaptors	HANPSDC-3HK	1542391	PLUG, HANPSDC-3HK, PLASTIC DUST, 1/2 INCH
Propane	Piping	Brass POL & Acme Adaptors	HANPSDC-4HK	1542448	PLUG, HANPSDC-4HK, PLASTIC DUST, 3/4 INCH
Propane	Piping	Brass POL & Acme Adaptors	HBFK-1/4	1522904	KIT, HBFK-1/4, FERRULE,
Propane	Piping	Brass POL & Acme Adaptors	HBFK-3/8	1540408	KIT, HBFK-3/8, FERRULE,
Propane	Piping	Brass POL & Acme Adaptors	HC-5133	1508554	HOSE END, HC-5133,MARSHALL BRASS,
Propane	Piping	Brass POL & Acme Adaptors	M286	1505255	ADAPTOR, M286, FISHER, POL X 1/2 NPT
Propane	Piping	Brass POL & Acme Adaptors	M303	1505258	ADAPTOR, M303, FISHER, POL X 1/2 NPT
Propane	Piping	Brass POL & Acme Adaptors	ME1645	1544202	CONNECTOR,ME1645,MEC,POL X 9/16"-18 LH
Propane	Piping	Brass POL & Acme Adaptors	ME1650	1540133	BRASS POL,ME1650,MEC,9/16,(858A)
Propane	Piping	Brass POL & Acme Adaptors	ME1653	1544203	CONNECTOR,ME1653,MEC,POL X 1/4" MNPT
Propane	Piping	Brass POL & Acme Adaptors	ME1654AR	1538546	FITTING, ME-1654AR, MARSH EXCEL, POL
Propane	Piping	Brass POL & Acme Adaptors	ME1655	1548438	BARB,ME1655,MEC,1/4INHOSE X POL S.N. W/
Propane	Piping	Brass POL & Acme Adaptors	ME1691	1540726	PLUG, ME-1691, MARSHALL EXCEL, POL
Propane	Piping	Brass POL & Acme Adaptors	ME284	1524142	ADAPTOR, ME284, MARSHALL EXCEL,POL X 1/4
Propane	Piping	Brass POL & Acme Adaptors	ME286	1524144	ADAPTOR, ME286, MARSHALL EXCEL,
Propane	Piping	Brass POL & Acme Adaptors	ME287	1524145	ADAPTOR, ME287,MARSHALL EXCEL, POL X
Propane	Piping	Brass POL & Acme Adaptors	ME301	1524146	ADAPTOR, ME301,MARSHALL EXCEL, POL X
Propane	Piping	Brass POL & Acme Adaptors	ME303	1524147	ADAPTOR, ME303, MARSHALL EXCEL, POL X
Propane	Piping	Brass POL & Acme Adaptors	ME304	1524148	ADAPTOR, ME304, FPOL X 3/4 FNPT
Propane	Piping	Brass POL & Acme Adaptors	ME305	1537343	ADAPTOR, ME305,MEC,FPOL XFPOL
Propane	Piping	Brass POL & Acme Adaptors	ME392	1517172	ADAPTER,ME392, OPD STYLEFILL,
Propane	Piping	Brass POL & Acme Adaptors	ME393	1534231	COUPLING, ME-393, MARSHALL EXCEL,
Propane	Piping	Brass POL & Acme Adaptors	ME393-1	1540243	ADAPTER, ME393-1, MEC,CONVERSION
Propane	Piping	Brass POL & Acme Adaptors	ME393HD	1547806	ADAPTER,ME393HD,MEC,FILLER,1-5/16 M ACME
Propane	Piping	Brass POL & Acme Adaptors	ME398	1538355	ADAPTOR, ME398, MARSHALL EXCELSIOR,
Propane	Piping	Brass POL & Acme Adaptors	ME399	1540432	ADAPTER, ME399, MARSHALL EXCELSIOR,
Propane	Piping	Brass POL & Acme Adaptors	ME4355	1538750	FITTING, ME-4355, MARSHAL EXCEL, HOSE,
Propane	Piping	Brass POL & Acme Adaptors	ME460	1545734	VALVE,ME460,MARSH EXCEL,LIQUID WITHDRAWL
Propane	Piping	Brass POL & Acme Adaptors	ME462	1545214	VALVE,ME462,MEC,WITHDRAWL TANK, CAP
Propane	Piping	Brass POL & Acme Adaptors	ME4855	1548230	HOSE END, ME4855, MEC, 3/8 X 3/8
Propane	Piping	Brass POL & Acme Adaptors	ME488	1541079	CONNECTOR, ME-488, MARSHALL EXCELSIOR,
Propane	Piping	Brass POL & Acme Adaptors	ME515	1541878	COUPLING, ME515, MARSHALL EXCELSIOR,
Propane	Piping	Brass POL & Acme Adaptors	ME516	1539374	FITTING, ME516, MARSH EXCEL, FILLER
Propane	Piping	Brass POL & Acme Adaptors	ME517	1538544	ADAPTER, ME-517, MARSH EXCEL, QCC
Propane	Piping	Brass POL & Acme Adaptors	ME517EV	1541945	COUPLING,ME517EV,MEC,1-5/16" F.ACME EVAC
Propane	Piping	Brass POL & Acme Adaptors	ME518	1541624	FITTING, ME518, MEC,TYPE 1,QCC/OPD
Propane	Piping	Brass POL & Acme Adaptors	ME518-25H	1540251	FITTING, ME518-25H, MARSHALL EXCELSIOR,
Propane	Piping	Brass POL & Acme Adaptors	ME519	1542483	ADAPTER, ME-519, MARSH EXCEL, QCC
Propane	Piping	Brass POL & Acme Adaptors	ME5930	1545495	HOSE END, ME-5930,MEC,POL X 1/4HB Assem
Propane	Piping	Brass POL & Acme Adaptors	ME790	1524187	COUPLING, ME790, FILLER 1-1/4" F ACME
Propane	Piping	Brass POL & Acme Adaptors	ME790L	1543171	COUPLING, ME790L, FILLER 1-1/4" F ACME
Propane	Piping	Brass POL & Acme Adaptors	MEJ603HP	1542161	KIT, MEJ603HP, MARSHALL EXCELSIOR,
Propane	Piping	Brass POL & Acme Adaptors	MER472	1546106	KIT,MER472,MEC,ADAPTER,FLOW LONGER
Propane	Piping	Brass POL & Acme Adaptors	MEW1	1542947	KIT, MEW1,MEC,SERVICEMANS REPLACEMENT
Propane	Piping	Brass POL & Acme Adaptors	P500	1537677	PLUG, MALE, P500, MARSH EXCEL, 1/4 I.F.
Propane	Piping	Brass POL & Acme Adaptors	PA5133M	1534154	ADAPTOR, ME455, MARSHALL EXCELSIOR

Line of Business	Category	Item Group	RMI Item #	B2B Item #	Description
Propane	Piping	Flare Fittings	11-195	1537270	TUBING, 3/8" X 50, ROBERTSHAW,ALUM PILOT
Propane	Piping	Flare Fittings	620-1/4	1544557	FERRULE, 620-1/4, BREAKAWAY
Propane	Piping	Flare Fittings	620-1/8	1547698	FERRULES,620-1/8, MALE BREAKAWAY,1/8
Propane	Piping	Flare Fittings	A-48W	1545749	ADAPTOR,A-48W,1/4NPTX1/4INV FL
Propane	Piping	Flare Fittings	ALUM-1/4-5	1537578	KIT, ALUM-1/4-5, ALUMINUM TUBING,
Propane	Piping	Flare Fittings	ALUM-1/8-5	1537576	KIT, ALUM-1/8-5, ALUMINUM TUBING,
Propane	Piping	Flare Fittings	ALUM-3/16-5	1537575	KIT, ALUM-3/16-5, ALUMINUM TUBING,
Propane	Piping	Flare Fittings	ALUM-3/8-5	1544566	KIT,ALUM-3/8-5,PILOT TUBING,ALUMINUM,3/8
Propane	Piping	Flare Fittings	B1CXXX	1523439	SEAL, B1C, 1/4" SAE, COPPER
Propane	Piping	Flare Fittings	B1EXXX	1523440	SEAL, B1E, 3/8" SAE, COPPER
Propane	Piping	Flare Fittings	B1FXXX	1541158	SEAL, B1F, 1/2" SAE, COPPER, BONNET
Propane	Piping	Flare Fittings	B1IXXX	1541159	SEAL, B1I, 5/8" SAE, COPPER, BONNET
Propane	Piping	Flare Fittings	COMPFITKIT-1	1537577	KIT, COMPFITKIT-1, COMPRESSION FITTING
Propane	Piping	Flare Fittings	JCL-1	1534493	CLIP, JCL-1, METAL J, FOR 1/2 & 3/8
Propane	Piping	Flare Fittings	JCL-2	1534494	CLIP, JCL-2, METAL J, FOR 5/8 TUBING
Propane	Piping	Grill regulators & Fittings	100529	1547262	CONNECTOR,100529,3/8,OUTDOOR,12FT,GREY
Propane	Piping	Grill regulators & Fittings	103029	1528418	FITTING, K103029, STURGIS, QUICK DISCON
Propane	Piping	Grill regulators & Fittings	103031	1542499	KIT, K103031,FUEL GAS OUTLE w/HOSE
Propane	Piping	Grill regulators & Fittings	104001	1527132	DISCONNECT, STU.104001, STURGIS, 3/8
Propane	Piping	Grill regulators & Fittings	104007	1539454	CONNECTOR, 104007, STURGIS, GAS,
Propane	Piping	Grill regulators & Fittings	401207	1527133	PLUG, 401207, STURGIS, 3/8 QUICK DISCONN
Propane	Piping	Grill regulators & Fittings	100462-144	1542051	HOSE END, 100462-144, OVERBRAID, SS,
Propane	Piping	Grill regulators & Fittings	103276-144	1543386	HOSE,103276-144,STURGIS,NG COUPLER
Propane	Piping	Grill regulators & Fittings	254-00	1508504	REGULATOR, 254-00, AUTO CHANGE TWO-STAGE
Propane	Piping	Grill regulators & Fittings	BBQ-4G	1512273	OUTLET BOX,BBQ-4G,BURNABY, GREY
Propane	Piping	Grill regulators & Fittings	BBQ-4HOSE	1535261	HOSE,BBQ-4HOSE,10',BURNABY,3/8 M X 3/8 F
Propane	Piping	Grill regulators & Fittings	BBQ-4SM	1542752	OUTLET BOX,BBQ-4SM,BURNABY,SURFACE MOUNT
Propane	Piping	Grill regulators & Fittings	BBQ-4SS	1538149	OUTLET BOX,BBQ-4SS,BURNABY,STAINLESS STL
Propane	Piping	Grill regulators & Fittings	BBQ-4W	1534571	OUTLET BOX, BBQ-4W, BURNABY, WHITE,
Propane	Piping	Grill regulators & Fittings	BBQ-DBL-SS	1540544	OUTLET BOX,BBQ-DBL-SS,BURNABY,STAINLESS
Propane	Piping	Grill regulators & Fittings	ME951BLK	1538278	OUTLET BOX,ME951BLK,MEC,1/F.POL,BLK CAP
Propane	Piping	Grill regulators & Fittings	ME951GRY	1538346	OUTLET BOX, ME951GRY, MARSH EXCELSIOR,
Propane	Piping	Grill regulators & Fittings	ME951VY	1537944	OUTLET BOX, ME951VY, MARSH EXCEL,
Propane	Piping	Grill regulators & Fittings	ME952BLK	1543526	OUTLET BOX,ME952BLK,MEC,BLACK
Propane	Piping	Grill regulators & Fittings	MER401-48	1547901	ASSEMBLY,MER401-48,MEC,48"HOSE,POLX1/4
Propane	Piping	Grill regulators & Fittings	MER403-36	1546144	PIGTAIL,MER403-36,MEC,POL X 1/4 INV FL,
Propane	Piping	Grill regulators & Fittings	MER407-60	1542481	PIGTAIL,MER407-60, MARSH EXCEL, 1/4 INCH
Propane	Piping	Grill regulators & Fittings	MER408-144	1547711	THERMO PIGTAIL,MER408-144,MEC,9/16"-18 L
Propane	Piping	Grill regulators & Fittings	MER410-120	1544646	PIGTAIL, MER410-120, MARSH EXCEL, 1/4 IN
Propane	Piping	Grill regulators & Fittings	MER426-20	1542275	PIGTAIL,MER426-20,MEC,1/4" THERMO,
Propane	Piping	Grill regulators & Fittings	MER428-120	1538347	HOSE,MER428-120,MEC,1/4",GREEN,ACCESSORY
Propane	Piping	Grill regulators & Fittings	MER428-60	1537946	OUTLET BOX, 428-60, MARSH EXCEL
Propane	Piping	Grill regulators & Fittings	MER610-24	1542961	PIGTAIL,MER610-24,MEC, 3/8" ID,
Propane	Piping	Hose Fittings	7326	1548477	FERRULE, 7326, BRASS,0.593"ID
Propane	Piping	Hose Fittings	7327	1517155	FERRULE, 7327, BRASS, 625
Propane	Piping	Hose Fittings	7328	1545496	FERRULE,7328,,656
Propane	Piping	Hose Fittings	7332	1544928	FERRULE,7332,BRASS,,781 ID,
Propane	Piping	Hose Fittings	102-0402	1507237	BARB, 1/4 H.B. X 1/8 NPT, CONNECTOR,
Propane	Piping	Hose Fittings	102-0608	1548231	HOSE END,102-0608,3/8"HOSE ID,1/2MNPT
Propane	Piping	Hose Fittings	104-0608	1548232	HOSE END,104-0608,3/8HOSE ID,1/2FNPT
Propane	Piping	Hose Fittings	537XXX	1544302	BARB,537, 3/8NPT X 1/4 HOSE,CONNECTOR
Propane	Piping	Hose Fittings	539XXX	1517164	CONNECTOR,539,3/8MALE NPT X 3/8 BARB,
Propane	Piping	Hose Fittings	543XXX	1534574	HOSE BARB,543,DIXON BRASS,3/8"BARB X 1/4
Propane	Piping	Hose Fittings	HC-4335F	1541435	HOSE END,HC-4335F, MARSHALL BRASS, 3/8"
Propane	Piping	Misc Valves & Fittings	74506	1549434	BRACKET,74506,PERFECTION,4" OFFSET
Propane	Piping	Misc Valves & Fittings	445-L	1524563	BOX, 445-L, PERFECTION, 2", CURB
Propane	Piping	Misc Valves & Fittings	445-S	1518386	BOX, 445-S, PERFECTION,1/2-1 1/4 CURB A
Propane	Piping	Misc Valves & Fittings	SSP300	1534691	SHIELD, SSP300-3FT, PROTECTIVE, COPPER
Propane	Piping	Misc Valves & Fittings	SSP400	1547874	SHIELDS,SSP400,COPPER TUBING,4",PROTECT



Line of Business	Category	Item Group	RMI Item #	B2B Item #	Description
Propane	Piping	Pigtails & Tee Blocks	1660-20	1508344	PIGTAIL,1660-20, M/E,POL X POL,20",1/4,
Propane	Piping	Pigtails & Tee Blocks	1660-30	1539500	PIGTAIL,1660-30,MEC,30",POLXPOL1 1/8"HEX
Propane	Piping	Pigtails & Tee Blocks	1660-40	1540924	PIGTAIL,1660-40,MARSHALLEXC,40",POLXPOL
Propane	Piping	Pigtails & Tee Blocks	1660-48	1534438	PIGTAIL,1660-48,MEC, POLXPOL,48",1 1/8
Propane	Piping	Pigtails & Tee Blocks	1661-20	1506565	PIGTAIL, 1661-20, MARSH EXCEL,POLX1/4INV
Propane	Piping	Pigtails & Tee Blocks	1661-30	1538091	PIGTAIL, 1661-30, MARSHALL EXCEL
Propane	Piping	Pigtails & Tee Blocks	1662-12	1508522	PIGTAIL,1662-12,MEC,POL X POL,12",1/4"OD
Propane	Piping	Pigtails & Tee Blocks	1662-20	1534443	PIGTAIL, 1662-20, MEC,POLXPOL,20",7/8 HE
Propane	Piping	Pigtails & Tee Blocks	1662-40	1541771	PIGTAIL,1662-40, MEC,POL X POL, 40", 1/4
Propane	Piping	Pigtails & Tee Blocks	1662-48	1534496	PIGTAIL,1662-48,MARSH EXCEL, POL X POL
Propane	Piping	Pigtails & Tee Blocks	1663-20	1540633	PIGTAIL,1663-20, MEC,POLX 1/4INV FL,20"
Propane	Piping	Pigtails & Tee Blocks	1663-40	1542349	PIGTAIL, ME1663-40, MARSH EXCEL, POL x
Propane	Piping	Pigtails & Tee Blocks	1664-12	1541436	PIGTAIL,1664-12,MEC,POL X POL,12",1/4"OD
Propane	Piping	Pigtails & Tee Blocks	1669-12	1520624	PIGTAIL,1669-12,MEC,POLX1/4MNPT,12"
Propane	Piping	Pigtails & Tee Blocks	1669-20	1508883	PIGTAIL,1669-20,MEC,POL X 1/4"MNPT,20"
Propane	Piping	Pigtails & Tee Blocks	1680-12	1508365	HOGTAIL, 1680-12,MEC,POL X POL,12",
Propane	Piping	Pigtails & Tee Blocks	1680-20	1533706	HOGTAIL, 1680-20, MARSHALL EXCELSIOR
Propane	Piping	Pigtails & Tee Blocks	1684-12	1520655	HOGTAIL,1684-12, MEC.,POL X 1/2 NPT,12"
Propane	Piping	Pigtails & Tee Blocks	1684-20	1537259	HOGTAIL,1684-20, MARSHALL EXCL,POL X 1/2
Propane	Piping	Pigtails & Tee Blocks	1689-12	1523777	HOGTAIL,1689-12,M/E,POL X 1/4 M,12"
Propane	Piping	Pigtails & Tee Blocks	1690-20	1537342	PIGTAIL,1690-20,MEC,20",POLX1/4MPT,1 1/8
Propane	Piping	Pigtails & Tee Blocks	1700B	1538566	BLOCK, 1700B, TEE, 1/4" NO CHECK
Propane	Piping	Pigtails & Tee Blocks	1701A	1505526	TEE, 1701A, BLOCK, 138M, FPOL X MPOL,
Propane	Piping	Pigtails & Tee Blocks	1702A	1504686	CHECK, 1702A, MARSHALL, TEE, 1 1/8 HEX
Propane	Piping	Pigtails & Tee Blocks	1702B	1534651	BLOCK, 1702B, MARSHALL EXCEL, TEE,
Propane	Piping	Pigtails & Tee Blocks	ME1662D-12	1543393	PIGTAIL,1662D-12,MEC,POLXPOL,12",DIELECT
Propane	Piping	Pigtails & Tee Blocks	ME1664D-20	1541840	PIGTAIL,1664D-20,MEC,POLX POL,12",1/4"OD
Propane	Piping	Pigtails & Tee Blocks	ME1669D-12	1541837	PIGTAIL,1669-12D,MEC,POLX1/4MNPT,12"
Propane	Piping	Pigtails & Tee Blocks	ME1669D-20	1541838	PIGTAIL,1669-20D,MEC,POLX1/4MNPT,20"
Propane	Piping	Pigtails & Tee Blocks	MER403-24	1541415	PIGTAIL,MER403-24,MEC,POL X 1/4 INV FL,
Propane	Piping	Poly Coated Copper Tubing	71900	1537511	FLANGE, 71900, KAMCO,TERMINATION,COPPER
Propane	Piping	Prefab assemblies	LD-7115	1512903	LOCK, LD-7115, COVER, FOR LV-8050 VALVES
Propane	Piping	Prefab assemblies	LV-8050-100	1543782	VALVE, LV-8050-100,3/4"INSULATED LOCKIN
Propane	Piping	Prefab assemblies	LV-8050-34	1512086	VALVE, LV-8050-34, 3/4" INSULATED LOCKIN
Propane	Piping	Prefab assemblies	MB-701-2	1534428	ASSEMBLY, MB-701-2, DOUBLE METER BAR
Propane	Piping	Prefab assemblies	MB-701-3	1528210	ASSEMBLY, MB-701-3, METER BAR
Propane	Piping	Prefab assemblies	MB-730	1515742	BAR, MB-730,METER/20LT METER CONNECTIO
Propane	Piping	Prefab assemblies	MB-740	1517032	METER BAR, MB740, AMERICAN
Propane	Piping	Prefab assemblies	RP-750	1505680	ASSEMBLY, RP-750, REGULATOR, PREFAB
Propane	Piping	Prefab assemblies	RPM-MB-750	1512489	ASSEMBLY, RPM-MB-750, REGULATOR
Propane	Piping	Prefab assemblies	RPM-MB-750A	1537548	ASSEMBLY, RPM-MB-750A, REGULATOR
Propane	Piping	Prefab assemblies	TSR050	1544875	CLIP,TSR050,1/2 CTS, TRACER SPACER
Propane	Piping	Prefab assemblies	TSR100	1544876	CLIP,TSR100,3/4 AND 1" IPS,TRACER SPACER
Propane	Piping	Prefab assemblies	TSR125	1544877	CLIP,TSR125,1 1/4"IPS, TRACER SPACER
Propane	Piping	Prefab assemblies	TSR200	1544878	CLIP,TSR200,2" IPS, TRACER SPACER
Propane	Piping	Prefab assemblies	UMB-525-H	1537344	BRACKET, UMB-525-H, METER KIT, 5 1/2"X 8
Propane	Piping	Prefab assemblies	UMB-525-H114	1502009	BRACKET, UMB-525-H114, FOR METER
Propane	Piping	Prefab assemblies	UMB-525-N200	1548430	BRACKET,UMB-525-N200,2-1/2",U BOLT
Propane	Piping	Prefab assemblies	VENT-1	1524059	VENT, VENT-1, UPSCO
Propane	Piping	Prefab assemblies	VENT-3/4	1528250	VENT, VENT-3/4, UPSCO, 3/4 FNPT
Propane	Piping	Sediment Traps & 40 Sch. Fit	75ST-06	1523977	KIT, 75ST-06, 3/8", SEDIMENT TRAP
Propane	Piping	Sediment Traps & 40 Sch. Fit	75ST-08	1523080	KIT, 75ST-08, 1/2", STAMINATE
Propane	Piping	Sediment Traps & 40 Sch. Fit	75ST-12	1536787	KIT, 75ST-12, 3/4", STAMINATE
Propane	Piping	Small Ball Valves	101-403DU	1544062	VALVE,101-403DU,JOMAR,DIELECTRIC UNION
Propane	Piping	Small Ball Valves	101-404DU	1542380	VALVE, 101-404DU, JOMAR, T-HANDLE,
Propane	Piping	Small Ball Valves	101-703DU	1543385	VALVE,101-703DU,JOMAR,1/2" MIP X 1/2"FLA
Propane	Piping	Small Ball Valves	170-105	1538010	VALVE,170-105,1" X 1" FIP W/TAP,BT2002-1
Propane	Piping	Small Ball Valves	400-102	1525047	SEALANT. 400-102, JOMAR, 1/4 PINT
Propane	Piping	Small Ball Valves	400-104	1538573	SEALER, 400-104, JOMAR, PINT,
Propane	Piping	Small Ball Valves	B2002-1/2	1538018	VALVE, B2002-1/2, JOMAR, BALL, GAS,
Propane	Piping	Small Ball Valves	B2002-3/4	1525246	VALVE, B2002-3/4, JOMAR, BALL, GAS,
Propane	Piping	Small Ball Valves	B2002-3/8	1534437	VALVE, B2002F-3/8, JOMAR, BRASS BALL
Propane	Piping	Small Ball Valves	B2002F-1/2	1541684	VALVE, B2002F-1/2, JOMAR,BRASS BALL,GAS
Propane	Piping	Small Ball Valves	B2002FF-1/2	1515716	VALVE, BALL GAS, B2002FF-1/2, JOMAR.
Propane	Piping	Small Ball Valves	B2002FF-3/8	1515707	VALVE, B2002FF-3/8, LEGEND, BRASS SHUT
Propane	Piping	Small Ball Valves	B2002FF-5/8	1525676	VALVE, B2002FF-5/8, JOMAR, BALL
Propane	Piping	Small Ball Valves	B2002MF-1/2	1512611	VALVE, B2002MF-1/2, JOMAR,BRASS BALL,GAS
Propane	Piping	Small Ball Valves	B2002MF-3/8	1541683	VALVE, B2002MF-3/8, JOMAR, BRASS BALL
Propane	Piping	Small Ball Valves	BT2002-1/2	1512177	VALVE, BT2002-1/2, JOMAR, BALL, GAS,
Propane	Piping	Small Ball Valves	BT2002-3/4	1515972	VALVE, BT2002-3/4, SHUT-OFF
Propane	Piping	Small Ball Valves	BT2002-3/8	1515971	VALVE, BT2002-3/8, SHUT-OFF
Propane	Piping	Small Ball Valves	BT2002F-1/2	1534436	VALVE, BT2002F-1/2, JOMAR, BRASS BALL
Propane	Piping	Small Ball Valves	BT2002FF-1/2	1515687	VALVE, BALL GAS, BT2002FF-1/2, JOMAR.
Propane	Piping	Small Ball Valves	BT2002FF-3/8	1515974	VALVE, BT2002FF-3/8, SHUT-OFF
Propane	Piping	Small Ball Valves	BT2002FF-5/8	1512197	SHUTOFF, BT2002FF-5/8, JOMAR

Line of Business	Category	Item Group	RMI Item #	B2B Item #	Description
Propane	Plant & Truck Valves	Fisher Bulk Plant Valves	C407-10-04	1545845	VALVE, C407-10-04, FISHER, 1 1/4" NPT,
Propane	Plant & Truck Valves	Fisher Bulk Plant Valves	C407-10-05	1505677	VALVE, C407-10-05, FISHER, 1-1/4 INTERNAL
Propane	Plant & Truck Valves	Fisher Bulk Plant Valves	C407-10-08	1546350	VALVE, C407-10-08, FISHER, 1-1/4 INTERNAL
Propane	Plant & Truck Valves	Fisher Bulk Plant Valves	C407M10-04	1546398	VALVE, C407M10-04, FISHER, INTERNAL,
Propane	Plant & Truck Valves	Fisher Bulk Plant Valves	C407M10-08	1522919	VALVE, C407M-10-08, FISHER, 1-1/4 INTERNAL
Propane	Plant & Truck Valves	Fisher Bulk Plant Valves	C477-16-25	1540800	VALVE, C477-16-25, FISHER, 2" INTERNAL, JET
Propane	Plant & Truck Valves	Fisher Bulk Plant Valves	H722-250	1528340	VALVE, H722-250, FISHER, 250 PSI, 2" MNPT
Propane	Plant & Truck Valves	Fisher Bulk Plant Valves	N310-10	1505528	VALVE, N310-10, FISHER, GLOBE, 1 1/4 NPT
Propane	Plant & Truck Valves	Fisher Bulk Plant Valves	N310-12	1505529	VALVE, N310-12, FISHER, GLOBE, 1 1/2 NPT
Propane	Plant & Truck Valves	Fisher Bulk Plant Valves	N310-16	1505530	VALVE, N310-16, FISHER, GLOBE, 2 NPT
Propane	Plant & Truck Valves	Fisher Bulk Plant Valves	N410-10	1505536	VALVE, N410-10, FISHER, ANGLE, 1 1/4 NPT
Propane	Plant & Truck Valves	Fisher Bulk Plant Valves	N410-16	1505538	VALVE, N410-16, FISHER, ANGLE, 2 NPT
Propane	Plant & Truck Valves	Fisher Bulk Plant Valves	N551-10	1545726	VALVE, N551-10, FISHER, EMERGENCY SHUTOFF
Propane	Plant & Truck Valves	Fisher Bulk Plant Valves	N551-16	1545511	VALVE, N551-16, FISHER, EMERGENCY SHUTOFF
Propane	Plant & Truck Valves	Fisher equipment	D139	1504370	VALVE, D139, FISHER, FILLER, 3 NPT X 3 1
Propane	Plant & Truck Valves	Fisher equipment	F100	1504373	VALVE, F100, FISHER, EXCESS FLOW, 3/4 MN
Propane	Plant & Truck Valves	Fisher equipment	F101	1504374	VALVE, F101, FISHER, EXCESS FLOW, 3/4 MN
Propane	Plant & Truck Valves	Fisher equipment	F102	1504375	VALVE, F102, EXCESS FLOW, 1 1/4 MNPT X 1
Propane	Plant & Truck Valves	Fisher equipment	F105	1504376	VALVE, F105, EXCESS FLOW, 1 1/4 MNPT X 1
Propane	Plant & Truck Valves	Fisher equipment	F130	1504440	VALVE, F130, FISHER, EXCESS FLOW, 1 X 1
Propane	Plant & Truck Valves	Fisher equipment	F133	1504443	VALVE, F133, FISHER, EXCESS FLOW, 2 X 2
Propane	Plant & Truck Valves	Fisher equipment	F170	1504447	VALVE, F170, FISHER, EXCESS FLOW, 3/4 MN
Propane	Plant & Truck Valves	Fisher equipment	F173	1504448	VALVE, F173, FISHER, EXCESS FLOW, MPOL X
Propane	Plant & Truck Valves	Fisher equipment	F202	1504464	VALVE, F202, FISHER, EXCESS FLOW, MPOL X
Propane	Plant & Truck Valves	Fisher equipment	G100	1504467	VALVE, G100, FISHER, BACK PRESSURE, 3/4
Propane	Plant & Truck Valves	Fisher equipment	G101	1504468	VALVE, G101, FISHER, BACK PRESSURE, 1 1/
Propane	Plant & Truck Valves	Fisher equipment	G105	1504471	VALVE, G105, FISHER, BACK PRESSURE, 2 X
Propane	Plant & Truck Valves	Fisher equipment	G201-16	1504480	VALVE, G201-16, FISHER, BACK PRESSURE,
Propane	Plant & Truck Valves	Fisher equipment	H110-250	1504482	VALVE, H110-250, FISHER, RELIEF, UL, 250
Propane	Plant & Truck Valves	Fisher equipment	H124	1504487	VALVE, H124, FISHER, RELIEF, 450 PSI,
Propane	Plant & Truck Valves	Fisher equipment	H144	1504490	VALVE, H144, FISHER, RELIEF, 450 PSI,
Propane	Plant & Truck Valves	Fisher equipment	H173	1504514	VALVE, H173, FISHER, RELIEF, 375 PSI,
Propane	Plant & Truck Valves	Fisher equipment	H174	1504515	VALVE, H174, FISHER, RELIEF, 450 PSI,
Propane	Plant & Truck Valves	Fisher equipment	H185-250	1504516	VALVE, H185-250, FISHER, RELIEF, 250 PSI
Propane	Plant & Truck Valves	Fisher equipment	J700	1504585	GAUGE, J700, FISHER, THERMOMETER, 4" STE
Propane	Plant & Truck Valves	Fisher equipment	J701	1504586	GAUGE, J701, FISHER, THERMOMETER, 6"
Propane	Plant & Truck Valves	Fisher equipment	M110	1505037	COUPLING, M110, FISHER, FILLER, 1 3/4 AC
Propane	Plant & Truck Valves	Fisher equipment	M111	1505038	COUPLING, M111, FISHER, FILLER, 1 3/4 AC
Propane	Plant & Truck Valves	Fisher equipment	M130	1505060	COUPLING, M130, FISHER, FILLER, 3 1/4 AC
Propane	Plant & Truck Valves	Fisher equipment	M141	1505063	COUPLING, M141, FISHER, VAPOR, 1 1/4 ACM
Propane	Plant & Truck Valves	Fisher equipment	M357	1505343	ADAPTOR, M357, FISHER, POL X 1/2 NPT
Propane	Plant & Truck Valves	Fisher equipment	M388	1505345	ADAPTOR, M388, SOFT NOSE, POL X 1/4 NPT,
Propane	Plant & Truck Valves	Fisher equipment	M570	1505436	ADAPTOR, M570, FISHER, HOSE, 1-3/4 ACM
Propane	Plant & Truck Valves	Fisher equipment	M611	1505438	ADAPTOR, M611, FISHER, 2 1/4 X 1 3/4 ACM
Propane	Plant & Truck Valves	Fisher equipment	M612	1505439	ADAPTOR, M612, FISHER, 3 1/4 X 1 3/4 ACM
Propane	Plant & Truck Valves	Fisher equipment	M613	1505440	ADAPTOR, M613, FISHER, 4 1/4 X 3 1/4 ACM
Propane	Plant & Truck Valves	Fisher equipment	M622	1505441	ADAPTOR, M622, FISHER, 3 1/4 X 1 3/4 ACM
Propane	Plant & Truck Valves	Fisher equipment	N201	1505493	VALVE, N201, FISHER, AUTO CYLINDER FILLI
Propane	Plant & Truck Valves	Fisher equipment	N301-04	1505496	VALVE, N301-04, FISHER, GLOBE, 1/2 NPT
Propane	Plant & Truck Valves	Fisher equipment	N301-08	1505498	VALVE, N301-08, FISHER, GLOBE, 1 NPT
Propane	Plant & Truck Valves	Fisher equipment	N401-04	1505533	VALVE, N401-04, FISHER, ANGLE, 1/2 NPT
Propane	Plant & Truck Valves	Fisher equipment	N401-06	1505534	VALVE, N401-06, FISHER, ANGLE, 3/4 NPT
Propane	Plant & Truck Valves	Fisher equipment	N401-08	1505535	VALVE, N401-08, FISHER, ANGLE, 1 NPT
Propane	Plant & Truck Valves	Fisher equipment	N450-06	1505542	VALVE, N450-06, FISHER, ANGLE, ECONOMY,
Propane	Plant & Truck Valves	Fisher equipment	N562-26	1526340	VALVE, N562-26, FISHER, EMERGENCY
Propane	Plant & Truck Valves	Fisher equipment	P134	1505583	LINK, P134, FISHER, FUSIBLE, (212 DGS F)
Propane	Plant & Truck Valves	Fisher equipment	P145	1505587	CAP, P145, PROTECTIVE, F/H185, H275, 180
Propane	Plant & Truck Valves	Fisher equipment	P164B	1505592	RELEASE, P164B, FISHER, CABLE, FOR N550,
Propane	Plant & Truck Valves	Fisher equipment	P174	1505594	ADAPTOR, P174, FISHER, PIPEAWAY, 1/2 NPT
Propane	Plant & Truck Valves	Fisher equipment	P205	1504619	CAP, P205, FISHER, PROTECTIVE, FOR H349
Propane	Plant & Truck Valves	Fisher equipment	P206	1504620	CAP, P206, FISHER, PROTECTIVE, FOR 'H'
Propane	Plant & Truck Valves	Fisher equipment	P297	1504625	CAP, P297, FISHER, PROTECTIVE, FOR H721
Propane	Plant & Truck Valves	Fisher equipment	P298	1504626	CAP, P298, FISHER, PROTECTIVE, FOR H731
Propane	Plant & Truck Valves	Fisher equipment	P323	1504672	DIAL, P323, FISHER, ROTARY GAUGE,
Propane	Plant & Truck Valves	Fisher equipment	P327D	1504677	CYLINDER, P327D, FISHER, AIR, FOR N551
Propane	Plant & Truck Valves	Fisher equipment	P340	1539854	LATCH, P340, FISHER, REMOTE RELEASE FOR
Propane	Plant & Truck Valves	Fisher equipment	P341	1504681	LATCH, P341, FISHER, REMOTE RELEASE
Propane	Plant & Truck Valves	Fisher equipment	P389	1504683	KIT, P389, FISHER, CYLINDER ACTUATOR
Propane	Plant & Truck Valves	Fisher equipment	P539A	1542633	CYLINDER, P539, FISHER, PNEUMATIC
Propane	Plant & Truck Valves	Fisher equipment	P551	1523809	SPRING, P551, FISHER, EXTERNAL CLOSING
Propane	Plant & Truck Valves	Fisher equipment	P551A	1505688	KIT, P551A, FISHER, RETROFIT CLOSURE
Propane	Plant & Truck Valves	Fisher equipment	P623	1546546	ACTUATOR, P623, FISHER, PNEUMATIC,
Propane	Plant & Truck Valves	Fisher equipment	P639A	1548514	AIR ACTUATOR, P639A, FISHER, BRAKE CHAMBER
Propane	Plant & Truck Valves	Fisher equipment	P650	1504752	ASSEMBLY, P650, FISHER, CABLE CONTROL,
Propane	Plant & Truck Valves	Fisher Parts	1D497606992	1546057	ADAPTOR, 1D497606992, BELL, HOSE END, 50P
Propane	Plant & Truck Valves	Fisher Parts	RC40016T012	1544173	KIT, RC40016T012, FISHER, REPAIR, VALVE
Propane	Plant & Truck Valves	Fisher Parts	RC40710T042	1549014	KIT, RC40710T042, FISHER, REBUILD
Propane	Plant & Truck Valves	Fisher Parts	RN30012T012	1543213	KIT, RN30012T012, FISHER, REPAIR
Propane	Plant & Truck Valves	Fisher Parts	RN30016T012	1543214	KIT, RN30016T012, FISHER, REPAIR

Line of Business	Category	Item Group	RMI Item #	B2B Item #	Description
Propane	Plant & Truck Valves	Fisher Parts	T10971000A2	1533501	CAP, T10971000A2, REPLACEMENT VENT
Propane	Plant & Truck Valves	Fisher Parts	T13090T0012	1543145	KIT,T13090T0012,FISHER,REBUILD,SNAPPY JO
Propane	Plant & Truck Valves	Fisher Parts	T13098T0012	1537939	GASKET, T13098T0012, BLACK, FOR M570
Propane	Plant & Truck Valves	Fisher Parts	T13103T0012	1538965	WASHER, T13103T0012, FOR M570
Propane	Plant & Truck Valves	Fisher Parts	T13184T0012	1505731	KIT, T13184T0012, FISHER, REPAIR
Propane	Plant & Truck Valves	Fisher Parts	T13428T0012	1545839	LEVER,T13428T0012,FISHER,FOR C407-10
Propane	Plant & Truck Valves	Fisher Parts	T13500T0012	1544556	LINK,T13500T0012,FISHER,FUSE ASSEMBLY
Propane	Plant & Truck Valves	Fisher Parts	T20377000A2	1544155	BONNET ASSEMBLY, T20377000A2, FISHER,
Propane	Plant & Truck Valves	Fisher Parts	T20430000A2	1548559	GLAND ASSY,T20430000A2,FISHER,C400 3"
Propane	Plant & Truck Valves	Fisher Parts	T20714T0012	1538933	HANDLE, T20714T0012 , FISHER, FOR N550
Propane	Plant & Truck Valves	Marshall Excelsior Acme Fittin	ME100	1524107	COUPLING, ME100,MARSHALL EXCELSIOR
Propane	Plant & Truck Valves	Marshall Excelsior Acme Fittin	ME101	1524108	COUPLING, ME101,MARSHALL EXCELSIOR
Propane	Plant & Truck Valves	Marshall Excelsior Acme Fittin	ME106-1	1538962	CAP, ME106-1, MARSHALL EXCEL, PLASTIC
Propane	Plant & Truck Valves	Marshall Excelsior Acme Fittin	ME109	1519945	CAP, ME109, MARSHALL EXCEL, 1 3/4 ACME
Propane	Plant & Truck Valves	Marshall Excelsior Acme Fittin	ME109-1	1542177	CAP, ME109-1, MARSHALL EXCEL, 1 3/4 F.
Propane	Plant & Truck Valves	Marshall Excelsior Acme Fittin	ME110	1524109	COUPLING, ME110,MARSHALL EXCELSIOR
Propane	Plant & Truck Valves	Marshall Excelsior Acme Fittin	ME111	1524111	COUPLING, ME111, MARSHALL EXCELSIOR
Propane	Plant & Truck Valves	Marshall Excelsior Acme Fittin	ME111C	1547947	COUPLING,ME111C,MEC,1 3/4F,ACME x3/4 MNPT
Propane	Plant & Truck Valves	Marshall Excelsior Acme Fittin	ME112	1524113	COUPLING, ME112, MARSHALL EXCELSIOR
Propane	Plant & Truck Valves	Marshall Excelsior Acme Fittin	ME112C	1543777	COUPLING,ME112C, MEC,1 3/4 ACME
Propane	Plant & Truck Valves	Marshall Excelsior Acme Fittin	ME112SC	1547654	COUPLING,ME112SC, MEC,1-3/4 F ACME x 1
Propane	Plant & Truck Valves	Marshall Excelsior Acme Fittin	ME130	1524116	COUPLING, ME130, MARSHALL EXCELSIOR
Propane	Plant & Truck Valves	Marshall Excelsior Acme Fittin	ME130S	1541260	COUPLING,ME130S,MARSHAL EXCEL,3-1/4" F.
Propane	Plant & Truck Valves	Marshall Excelsior Acme Fittin	ME141	1524118	COUPLING, ME141,MARSHALL EXCELSIOR
Propane	Plant & Truck Valves	Marshall Excelsior Acme Fittin	ME150	1524119	COUPLING, ME150, MARSHALL EXCELSIOR
Propane	Plant & Truck Valves	Marshall Excelsior Acme Fittin	ME179	1536867	SEAL, ME179, MARSHALL EXCEL, DUST
Propane	Plant & Truck Valves	Marshall Excelsior Acme Fittin	ME179-1	1539639	ASSEMBLY, ME179-1, MARSHALL EXCEL,
Propane	Plant & Truck Valves	Marshall Excelsior Acme Fittin	ME181	1534278	SEAL, ME181, MARSHALL EXCEL, DUST,
Propane	Plant & Truck Valves	Marshall Excelsior Acme Fittin	ME181-1	1539641	DUST SEAL, ME181-1, MARSH EXCEL,
Propane	Plant & Truck Valves	Marshall Excelsior Acme Fittin	ME200	1541423	CHOCK, ME200, MARSHALL EXCELSIOR, STEEL,
Propane	Plant & Truck Valves	Marshall Excelsior Acme Fittin	ME200B	1544667	CHOCK, ME200B,MARSHALL EXCELSIOR, HOLDER
Propane	Plant & Truck Valves	Marshall Excelsior Acme Fittin	ME210	1524122	ADAPTOR, ME210,MARSHALL EXCELSIOR
Propane	Plant & Truck Valves	Marshall Excelsior Acme Fittin	ME215	1524128	ADAPTOR, ME215,MARSHALL EXCELSIOR
Propane	Plant & Truck Valves	Marshall Excelsior Acme Fittin	ME217	1524130	ADAPTOR, ME217,MARSHALL EXCELSIOR
Propane	Plant & Truck Valves	Marshall Excelsior Acme Fittin	ME229-1	1539458	CAP, ME229-1, MARSH EXCEL, BRASS ACME
Propane	Plant & Truck Valves	Marshall Excelsior Acme Fittin	ME252-16	1539027	ADAPTOR, ME252, MARSHALL EXCELSIOR
Propane	Plant & Truck Valves	Marshall Excelsior Acme Fittin	ME262A	1540590	ADAPTOR, ME262A, MARSHALL EXCEL, BRASS
Propane	Plant & Truck Valves	Marshall Excelsior Acme Fittin	ME262S	1540592	ADAPTOR, ME262SA, MARSHALL EXCEL,
Propane	Plant & Truck Valves	Marshall Excelsior Acme Fittin	ME270	1539244	ASSEMBLY, ME270, MARSH EXCEL, ADAPTER
Propane	Plant & Truck Valves	Marshall Excelsior Acme Fittin	ME273	1524135	ADAPTOR, ME273, MARSHAL EXCEL,
Propane	Plant & Truck Valves	Marshall Excelsior Acme Fittin	ME295SN-1	1540569	FITTING, ME295N-1, MARSH EXCEL,
Propane	Plant & Truck Valves	Marshall Excelsior Acme Fittin	ME309-1	1548778	CAP,ME-309-1,MEC,CGA 555W/RING AND CHAIN
Propane	Plant & Truck Valves	Marshall Excelsior Acme Fittin	ME3162-12	1542837	COUPLING,ME3162-12,MEC,3/4HB x3/4MNPT
Propane	Plant & Truck Valves	Marshall Excelsior Acme Fittin	ME3162-16	1542636	COUPLING,ME3162-16,MEC,1" HB x 1" MNPT
Propane	Plant & Truck Valves	Marshall Excelsior Acme Fittin	ME357	1524154	ADAPTOR, ME357,MEC, POL X 1/2 NPT
Propane	Plant & Truck Valves	Marshall Excelsior Acme Fittin	ME388	1538243	ADAPTOR, ME388, MARSH EXCEL, POL FILLER
Propane	Plant & Truck Valves	Marshall Excelsior Acme Fittin	ME390	1524155	COUPLING, ME390, MARSHALL EXCEL,
Propane	Plant & Truck Valves	Marshall Excelsior Acme Fittin	ME390S	1526471	COUPLING, ME390S, FILLER, STAINLESS
Propane	Plant & Truck Valves	Marshall Excelsior Acme Fittin	ME393-2	1547991	ADAPTER,ME393-2,MEC,QUICK CONNECT,
Propane	Plant & Truck Valves	Marshall Excelsior Acme Fittin	ME394	1537951	ADAPTOR, ME394, MARSHAL EXCEL, TYPE 1
Propane	Plant & Truck Valves	Marshall Excelsior Acme Fittin	ME441F	1543679	CAP,ME441,MEC,3 1/4" ACME
Propane	Plant & Truck Valves	Marshall Excelsior Acme Fittin	ME441F8-1	1543231	CAP,ME441F8-1,MEC,3-1/4" F. ACME,
Propane	Plant & Truck Valves	Marshall Excelsior Acme Fittin	ME441F8-1C	1547588	F.ACME CAP,ME441F8-1C,MEC,3-1/4" F,
Propane	Plant & Truck Valves	Marshall Excelsior Acme Fittin	ME442	1534281	ADAPTOR, ME442, MARSHALL EXCEL,
Propane	Plant & Truck Valves	Marshall Excelsior Acme Fittin	ME-496	1524189	ADAPTOR, ME496,MEC, 20 M SWIVEL X 1/4"
Propane	Plant & Truck Valves	Marshall Excelsior Acme Fittin	ME498-4/2	1524136	ADAPTOR,ME498-4/2,MEC,1 1/4ACME X 1/4FPT
Propane	Plant & Truck Valves	Marshall Excelsior Acme Fittin	ME503A-16	1524138	ADAPTOR, ME503A-16, MARSHALL EXCEL
Propane	Plant & Truck Valves	Marshall Excelsior Acme Fittin	ME503A-16	1538822	ADAPTOR, ME503A-16, MARSHALL EXCEL
Propane	Plant & Truck Valves	Marshall Excelsior Acme Fittin	ME503SA-16	1540588	ADAPTOR, ME503SA-16, MARSHALL EXCEL,STEE
Propane	Plant & Truck Valves	Marshall Excelsior Acme Fittin	ME569	1538182	ADAPTOR, ME569, MARSH EXCEL,
Propane	Plant & Truck Valves	Marshall Excelsior Acme Fittin	ME570	1533337	ADAPTOR,ME570,NOT INTENDED FOR HOSE END
Propane	Plant & Truck Valves	Marshall Excelsior Acme Fittin	ME571	1539415	ADAPTOR, ME-571, MARSHALL EXCEL, HOSE,
Propane	Plant & Truck Valves	Marshall Excelsior Acme Fittin	ME571-2-03	1545666	GASKET,ME571-2-03,MEC,NOSE REPLACEMENT
Propane	Plant & Truck Valves	Marshall Excelsior Acme Fittin	ME571H	1542932	ADAPTOR, ME-571H, MEC,HIGH CAPACITY
Propane	Plant & Truck Valves	Marshall Excelsior Acme Fittin	ME572EXT	1540419	SWIVEL, ME572EXT, MARSHALL EXCEL,
Propane	Plant & Truck Valves	Marshall Excelsior Acme Fittin	ME572EXTHD	1540914	SWIVEL, ME572EXTHD, MARSHALL EXCELSIOR,
Propane	Plant & Truck Valves	Marshall Excelsior Acme Fittin	ME574EXT	1537767	ADAPTER, ME574EXT, MARSHALL EXCELSIOR,
Propane	Plant & Truck Valves	Marshall Excelsior Acme Fittin	ME574EXTHD	1542623	ADAPTER, ME574EXTHD,MEC,HEAVY DUTY
Propane	Plant & Truck Valves	Marshall Excelsior Acme Fittin	ME578	1547720	FILL ADAPTER,ME578,MEC,FLO MAX SAFETY
Propane	Plant & Truck Valves	Marshall Excelsior Acme Fittin	ME611	1534282	ADAPTOR, ME611,MEC,2-3/4" F,ACME X1-3/4"
Propane	Plant & Truck Valves	Marshall Excelsior Acme Fittin	ME612	1534283	ADAPTOR, ME612,MEC,3-1/4" F,ACME X1-3/4"
Propane	Plant & Truck Valves	Marshall Excelsior Acme Fittin	ME635-6	1534284	COUPLING, ME635-6, MARSHALL EXCEL
Propane	Plant & Truck Valves	Marshall Excelsior Acme Fittin	ME635-8	1524139	COUPLING, ME635-8, MARSHALL EXCEL
Propane	Plant & Truck Valves	Marshall Excelsior Acme Fittin	ME651S	1545709	STRAINER,ME651S,MEC,3/4",40 MESH
Propane	Plant & Truck Valves	Marshall Excelsior Acme Fittin	ME651SP	1548246	STRAINER,ME651SP,MEC,3/4" FNPT, W PLUG
Propane	Plant & Truck Valves	Marshall Excelsior Acme Fittin	ME652SP	1548248	STRAINER,ME652SP,MEC,1", W PLUG
Propane	Plant & Truck Valves	Marshall Excelsior Acme Fittin	ME653SP	1536537	STRAINER, ME653SP, MARSHALL EXCEL
Propane	Plant & Truck Valves	Marshall Excelsior Acme Fittin	MEJ400	1539877	GAUGE, ME-J400, MARSHALL EXCEL,
Propane	Plant & Truck Valves	Marshall Excelsior Acme Fittin	MEP-GMC1	1542923	COVER,MEP-GMC1,MEC,HOSE REEL,BLACK

Line of Business	Category	Item Group	RMI Item #	B2B Item #	Description
Propane	Plant & Truck Valves	Marshall Internal Valves	ME551	1544662	AIR ACTUATOR,ME551,MEC,SAFETY STROKE
Propane	Plant & Truck Valves	Marshall Internal Valves	ME710	1542338	ACTUATOR, ME710, MARSH EXCEL, FLOSTROKE,
Propane	Plant & Truck Valves	MEC Repair Parts	ME251-02	1540587	SCREEN, ME251-02, MARSHALL EXCEL,
Propane	Plant & Truck Valves	MEC Repair Parts	ME251-03	1540598	CLIP, ME251-03, MARSHALL EXCEL,
Propane	Plant & Truck Valves	MEC Repair Parts	ME571-06	1546187	SPACER,ME571-06,MEC,PLASTIC SPACER RING
Propane	Plant & Truck Valves	MEC Repair Parts	ME800-LSRK	1549322	KIT,ME800-LSRK,MEC,LOWER SEAL REPAIR
Propane	Plant & Truck Valves	MEC Repair Parts	ME800-SARK	1549321	KIT,ME800-SARK,MEC,STEM REPAIR,
Propane	Plant & Truck Valves	MEC Repair Parts	ME930-212	1547193	GASKET,ME930-212,MEC,SPIRAL WOUND TEFLON
Propane	Plant & Truck Valves	MEC Repair Parts	MEH501-1.062	1546307	CAP, MEH501-1.062, MARSH EXCEL, VINYL,
Propane	Plant & Truck Valves	MEC Repair Parts	MEP200FIR	1545137	WRENCH,MEP200FIR,MEC,2"
Propane	Plant & Truck Valves	MEC Repair Parts	MEP300FIR	1545138	WRENCH,MEP300FIR,MEC,3"
Propane	Plant & Truck Valves	MEC Repair Parts	MEV200FIR-09	1545139	CAP,MEV200FIR-09,MEC,2", RUBBER
Propane	Plant & Truck Valves	MEC Repair Parts	MEV25/60	1543339	VALVE,MEV25/60,MEC,RELIEF,1/4"MNPT
Propane	Plant & Truck Valves	MEC Repair Parts	MEV300FIR-09	1545140	CAP,MEV300FIR-09,MEC,3", RUBBER
Propane	Plant & Truck Valves	MEC Valves and Actuators	ME205	1541849	ACTUATOR, ME205, MARSHALL EXCELSIOR, AIR
Propane	Plant & Truck Valves	MEC Valves and Actuators	ME206	1534381	AIR ACTUATOR, ME206, MARSHALL EXCELSIOR
Propane	Plant & Truck Valves	MEC Valves and Actuators	ME207	1546547	ACTUATOR,ME207,MEC,POWER STROKE AIR
Propane	Plant & Truck Valves	MEC Valves and Actuators	ME353	1540086	ADAPTOR,ME353,MEC,POLX3/8 MALE FLARE
Propane	Plant & Truck Valves	MEC Valves and Actuators	ME353EX18	1543698	ADAPTER, ME353EX18, MARSH EXCEL, MANIFOLD
Propane	Plant & Truck Valves	MEC Valves and Actuators	ME354EX18	1544281	FITTING,ME354EX18,MEC,POL x 3/8MFL
Propane	Plant & Truck Valves	MEC Valves and Actuators	ME355	1524153	ADAPTOR, ME355, MEC, MPOL x 1/2" M
Propane	Plant & Truck Valves	MEC Valves and Actuators	ME355EX18	1539463	VALVE, ME355EX18, MARSHALL EXCEL, EXC FL
Propane	Plant & Truck Valves	MEC Valves and Actuators	ME356	1543515	ADAPTER, ME356, MARSH EXCEL, MPOL x 5/8"
Propane	Plant & Truck Valves	MEC Valves and Actuators	ME356EX18	1541989	ADAPTOR,ME356EX18,MEC,EXCESS FLOW
Propane	Plant & Truck Valves	MEC Valves and Actuators	ME449	1539271	VALVE, ME-449, MARSHALL EXCEL, TRANSFER,
Propane	Plant & Truck Valves	MEC Valves and Actuators	ME458-04	1542469	O RING,ME458-04,MEC,REPLACE FOR ME458
Propane	Plant & Truck Valves	MEC Valves and Actuators	ME4625	1547426	VALVE,ME4625,MEC,1 1/4 MPT CHECK LOCK
Propane	Plant & Truck Valves	MEC Valves and Actuators	ME709	1540811	FILTER, ME709, MARSHALL EXCELSIOR, LP GAS
Propane	Plant & Truck Valves	MEC Valves and Actuators	ME791CJ	1539614	VALVE, ME791CJ, MARSHALL EXCEL, 1/2FX1/4F
Propane	Plant & Truck Valves	MEC Valves and Actuators	ME792CJ	1547784	VALVE,ME792CJ,MEC,TOGGLE,1/2" FNPT INLET
Propane	Plant & Truck Valves	MEC Valves and Actuators	ME800	1523920	VALVE, ME800, MARSHALL EXCELSIOR,
Propane	Plant & Truck Valves	MEC Valves and Actuators	ME800G	1539857	VALVE, ME800G, MARSHALL EXCEL, HOSE END
Propane	Plant & Truck Valves	MEC Valves and Actuators	ME800WS	1542421	VALVE, ME800WS, MARSH EXCEL, HOSE END,
Propane	Plant & Truck Valves	MEC Valves and Actuators	ME810-6	1538034	VALVE, ME810-6, MARSH EXCEL, QUICK
Propane	Plant & Truck Valves	MEC Valves and Actuators	ME815-10	1540436	VALVE, ME815-10, MARSH EXCEL, ANGLE
Propane	Plant & Truck Valves	MEC Valves and Actuators	ME815-24	1539347	VALVE, ME815-24, MARSH EXCEL, 3" ANGLE
Propane	Plant & Truck Valves	MEC Valves and Actuators	ME815-6	1541833	VALVE, ME815-6,MEC,ANGLE,3/4,2 SIDE PORT
Propane	Plant & Truck Valves	MEC Valves and Actuators	ME820-4	1547611	GLOBE VALVE,ME820-4,MEC,1/2" LOCKING
Propane	Plant & Truck Valves	MEC Valves and Actuators	ME820-6	1534564	VALVE, ME820-6, MARSHALL EXCEL, QUICK
Propane	Plant & Truck Valves	MEC Valves and Actuators	ME820-8	1546437	VALVE,ME820-8,MEC,1" FNPT x 1" FNPT,QUIC
Propane	Plant & Truck Valves	MEC Valves and Actuators	ME821-4	1540336	VALVE, ME821-4, MARSHALL EXCELSIOR, 1/2"
Propane	Plant & Truck Valves	MEC Valves and Actuators	ME825-10	1541416	VALVE,ME825-10, MEC, 1 1/4" GLOBE
Propane	Plant & Truck Valves	MEC Valves and Actuators	ME825-16	1542342	VALVE, ME825-16, MARSH EXCEL, GLOBE,
Propane	Plant & Truck Valves	MEC Valves and Actuators	ME825-6	1544759	VALVE,ME825-6,MEC,3/4" GLOBE VALVE SS IN
Propane	Plant & Truck Valves	MEC Valves and Actuators	ME825-8	1539640	VALVE, ME825-8, MARSHALL EXCEL, GLOBE
Propane	Plant & Truck Valves	MEC Valves and Actuators	ME850SS-6	1539771	SWIVEL, ME850SS-6, MARSHALL EXCEL, 3/4"
Propane	Plant & Truck Valves	MEC Valves and Actuators	ME850SS-8	1538938	SWIVEL, ME850SS-8, MARSHALL EXCELSIOR,
Propane	Plant & Truck Valves	MEC Valves and Actuators	ME860S-1-07	1544395	O RING,ME 860S-1-07,MEC,
Propane	Plant & Truck Valves	MEC Valves and Actuators	ME860S-6	1538048	BREAKAWAY, ME860S-6, MARSH EXCEL,
Propane	Plant & Truck Valves	MEC Valves and Actuators	ME868A-24	1540593	ADAPTER, ME868A-24, MARSHALL EXCELSIOR,
Propane	Plant & Truck Valves	MEC Valves and Actuators	ME870-6	1547836	VALVE,ME870-6,MEC,3/4FPTX3/4 MPT,BACK
Propane	Plant & Truck Valves	MEC Valves and Actuators	ME875S-16	1543666	VALVE, ME875S-16, MARSHALL EXCEL,SIGHT
Propane	Plant & Truck Valves	MEC Valves and Actuators	ME880-6/14	1546397	VALVE,ME880-6/14,MEC,3/4"FNPT x 3/4"MNPT
Propane	Plant & Truck Valves	MEC Valves and Actuators	ME880-6/22	1542546	VALVE,ME880-6/22,MEC,3/4", EXCESS,22GPM
Propane	Plant & Truck Valves	MEC Valves and Actuators	ME880-6/28	1542437	VALVE,ME880-6/28,MEC,3/4 X 3/4, EXCESS
Propane	Plant & Truck Valves	MEC Valves and Actuators	ME880-6/4.6	1546607	VALVE, ME880-6/4.6,MEC,3/4"FNPT x 3/4"MN
Propane	Plant & Truck Valves	MEC Valves and Actuators	ME880S-10/42	1540435	VALVE, ME880S-10/42, MARSH EXCEL,
Propane	Plant & Truck Valves	MEC Valves and Actuators	ME9101BRK	1546074	BONNET ASSEMBLY, ME9101BRK,MEC,UNIVERSAL
Propane	Plant & Truck Valves	MEC Valves and Actuators	ME930-72	1544581	GAUGE,ME930-72,MEC,4" GLOW/BLACK STD
Propane	Plant & Truck Valves	MEC Valves and Actuators	ME930-79	1542455	GAUGE,ME930-79,MEC,4",ACCU MAX, FLOAT
Propane	Plant & Truck Valves	MEC Valves and Actuators	ME980C-8	1548213	VALVE,ME980C-8,MEC,1"FNPT,ESV W/CABLE LA
Propane	Plant & Truck Valves	MEC Valves and Actuators	ME981-8	1546185	VALVE,ME981-8,MEC,1"FNPT SIGHT FLOW
Propane	Plant & Truck Valves	MEC Valves and Actuators	MEH225	1540684	VALVE,MEH225,MARSHALL EXCEL, 1/4" MNPT
Propane	Plant & Truck Valves	MEC Valves and Actuators	MEH225SS	1548598	VALVE,MEH225SS/400,MEC,STAINLESS STEEL,
Propane	Plant & Truck Valves	MEC Valves and Actuators	MEH502	1546013	CAP, MEH502, MARSH EXCEL, RELIEF VALVE,
Propane	Plant & Truck Valves	MEC Valves and Actuators	MEH503	1542720	CAP, MEH503, MARSH EXCEL, RELIEF VALVE,
Propane	Plant & Truck Valves	MEC Valves and Actuators	MEJ701	1539780	THERMOMETER, MEJ701, MEC, 6"PROBE,
Propane	Plant & Truck Valves	MEC Valves and Actuators	MEJ703	1543594	THERMOMETER,MEJ703,MEC,3" DIAL SS
Propane	Plant & Truck Valves	MEC Valves and Actuators	MEP104-24	1543676	ADAPTER,MEP104-24,MEC,3" PIPE AWAY
Propane	Plant & Truck Valves	MEC Valves and Actuators	MEV50/250	1546306	VALVE, MEV50/250, MARSH EXCEL, EXTERNAL
Propane	Plant & Truck Valves	Squibb Equipment	AL417P	1501994	VALVE, AL417P, SQUIBB TAYLOR, QUICK

Line of Business	Category	Item Group	RMI Item #	B2B Item #	Description
Propane	Poly Pipe & Fittings	Mechanical Fittings	41150	1534616	FITTING, 41150, PERFECTION, COPPERSERT
Propane	Poly Pipe & Fittings	Mechanical Fittings	41153	1538875	FITTING, 41153, PERFECTION, 1" CTS
Propane	Poly Pipe & Fittings	Mechanical Fittings	50172	1534296	COUPLING, 50172, PERFECTION, REPAIR, 1"
Propane	Poly Pipe & Fittings	Mechanical Fittings	51050	1523915	TOOL, 51050, ASSEMBLY, 2", PERFECTION
Propane	Poly Pipe & Fittings	Mechanical Fittings	51055	1544154	TOOL, 51055, PERMASERT, 1 1/4 ASSIST
Propane	Poly Pipe & Fittings	Mechanical Fittings	55131	1541107	COUPLER, 55131, PERFECTION, 3"
Propane	Poly Pipe & Fittings	Mechanical Fittings	71160	1547297	RISER, 71160, PERFECTION, 36" FLEX, 1" CTS,
Propane	Poly Pipe & Fittings	Mechanical Fittings	PC50016	1548356	END-CAP, PC50016, 1/2" CTS X 3/4" CTS, PERFEC
Propane	Poly Pipe & Fittings	Mechanical Fittings	PC50026	1548217	CAP, PC50026, PERFECTION, 3/4 IPS
Propane	Poly Pipe & Fittings	Mechanical Fittings	PC50030	1548137	COUPLING, PC50030, PERFECTION, 3/4 IPS
Propane	Poly Pipe & Fittings	Mechanical Fittings	PC50033	1549516	END-CAP, PC50033, PERFECTION, 1 1/4" IPS
Propane	Poly Pipe & Fittings	Mechanical Fittings	PC50035010	1548179	COUPLING, PC50035010, PERFECTION, 1 1/4" IPS
Propane	Poly Pipe & Fittings	Mechanical Fittings	PC50056	1548139	COUPLING, PC50056, PERFECTION, 1/2" CTS
Propane	Poly Pipe & Fittings	Mechanical Fittings	PC50100	1548146	COUPLING, PC50100, PERFECTION, 1/2" CTS,
Propane	Poly Pipe & Fittings	Mechanical Fittings	PC50103	1548298	COUPLING, PC50103, PERFECTION, 1" CTS
Propane	Poly Pipe & Fittings	Mechanical Fittings	PC50149	1549142	COUPLING, PC50149, PERFECTION, REDUCER,
Propane	Poly Pipe & Fittings	Mechanical Fittings	PC50175	1548143	COUPLING, PC50175, PERFECTION, 3/4" IPS
Propane	Poly Pipe & Fittings	Mechanical Fittings	PC50195010	1548357	COUPLING, PC50195010, PERFECTION, REDUCING
Propane	Poly Pipe & Fittings	Mechanical Fittings	PC50199	1548140	TEE, PC50199, PERFECTION, 1/2 CTS
Propane	Poly Pipe & Fittings	Mechanical Fittings	PC50314	1548180	COUPLING, PC50314, PERFECTION, 2" IPS
Propane	Poly Pipe & Fittings	Mechanical Fittings	PC50315	1548209	ELBOW, PC50315, PE, 2" IPS, PERFECTION
Propane	Poly Pipe & Fittings	Mechanical Fittings	PC50316	1548252	TEE, PC50316, PERFECTION, 2" IPS 3 WAY
Propane	Poly Pipe & Fittings	Mechanical Fittings	PC50317	1548210	END-CAP, PC50317, PERFECTION, 2" IPS
Propane	Poly Pipe & Fittings	Mechanical Fittings	PC50325010	1548284	ELBOW, PC50325010, 1 1/4" IPS, PERFECTION
Propane	Poly Pipe & Fittings	Mechanical Fittings	PC50327010	1548283	TEE, PC50327010, PERFECTION, 1 1/4" IPS,
Propane	Poly Pipe & Fittings	Mechanical Fittings	PC50343010	1548205	COUPLING, PC50343010, PERFECTION, 1-1/4"x1"
Propane	Poly Pipe & Fittings	Mechanical Fittings	PC50451	1549517	TEE, PC50451, PERFECTION, REDUCING,
Propane	Poly Pipe & Fittings	Mechanical Fittings	PC50461	1548216	TEE, PC50461, PERFECTION,
Propane	Poly Pipe & Fittings	Mechanical Fittings	PC50601	1548144	COUPLING, PC50601, PERFECTION, 1 IPS,
Propane	Poly Pipe & Fittings	Mechanical Fittings	PC50612	1548218	CAP, PC50612, 1" IPS, PERFECTION, BLIND
Propane	Poly Pipe & Fittings	Mechanical Fittings	PC50632	1548206	TEE, PC50632, PERFECTION, 1IPSX1/2CTS,
Propane	Poly Pipe & Fittings	Mechanical Fittings	PC50634	1548145	TEE, PC50634, PERFECTION, 1 IPS, 3-WAY,
Propane	Poly Pipe & Fittings	Mechanical Fittings	PC50635	1548287	TEE, PC50635, PERFECTION, 1" X1" X3/4" IPS
Propane	Poly Pipe & Fittings	Mechanical Fittings	PC50636	1548159	ELBOW, PC50636, PERFECTION, 1" IPS, 2.0
Propane	Poly Pipe & Fittings	Mechanical Fittings	PC50641	1548970	COUPLING, PC50641, PERFECTION, 1/2CTS X 1" IPS
Propane	Poly Pipe & Fittings	Mechanical Fittings	PC50701	1548148	COUPLING, PC50701A, PERFECTION, 1/2 IPS,
Propane	Poly Pipe & Fittings	Mechanical Fittings	PC50716	1548211	CAP, PC50716, PERFECTION, 1/2 IPS
Propane	Poly Pipe & Fittings	Mechanical Fittings	PC50730100	1548279	TEE, PC50730100, PERMASERT, 3 WAY, 1/2IPS
Propane	Poly Pipe & Fittings	Mechanical Fittings	PC50732100	1548207	ELBOW, PC50732100, PERFECTION, 1/2 IPS
Propane	Poly Pipe & Fittings	Mechanical Fittings	PC50740	1548579	COUPLING, PC50740, PERFECTION, 1/2" IPS RE
Propane	Poly Pipe & Fittings	Mechanical Fittings	PC50751	1549261	COUPLING, PC50751, PERFECTION, 1/2CTS X 1/2IPS
Propane	Poly Pipe & Fittings	Mechanical Fittings	PC50756	1548597	COUPLING, PC50756, PERFECTION, REDUCING
Propane	Poly Pipe & Fittings	Mechanical Fittings	PC50929	1548141	TEE, PC50929, PERFECTION, 3/4 IPS, 3-WAY
Propane	Poly Pipe & Fittings	Mechanical Fittings	PC50969	1548181	COUPLING, PC50969, PERFECTION, 1/2" CTS, R
Propane	Poly Pipe & Fittings	Mechanical Fittings	PC51325	1548580	TEE, PC51325, PERFECTION, 1 1/4X1 1/4X 3,
Propane	Poly Pipe & Fittings	Mechanical Fittings	PC51432	1548348	COUPLING, PC51432, PERFECTION, 1" X 3/4" IPS
Propane	Poly Pipe & Fittings	Mechanical Fittings	PC51620	1548142	ELBOWS, PC51620, PERFECTION, 3/4 IPS,
Propane	Poly Pipe & Fittings	Mechanical Fittings	PL55702	1548474	TEE, PL55702, PERFECTION, 2" SELF TAPPING
Propane	Poly Pipe & Fittings	Mechanical Fittings	PL55901	1548581	TEE, PL55901, PERFECTION, PERMALOCK
Propane	Poly Pipe & Fittings	Mechanical Fittings	PS41002	1548219	COUPLING, PS41002, PERFECTION,
Propane	Poly Pipe & Fittings	Mechanical Fittings	PS41007	1548251	COUPLING, PC41007, 1/2" CTS X 3/8" OD,
Propane	Poly Pipe & Fittings	Mechanical Fittings	PS41013	1548138	COUPLING, PS41013, PERF, 1/2CTS X 1/2OD,
Propane	Poly Pipe & Fittings	Mechanical Fittings	PV45100	1548582	VALVE, PV45100, PERFECTION, SHUTOFF, 3/4"
Propane	Poly Pipe & Fittings	Plastic Pipe	12-1	1534415	WIRE, 12-1, SINGLE STRAND TRACER,
Propane	Poly Pipe & Fittings	Plastic Pipe	12-1-CCS	1541166	WIRE, 12-1-CCS, COPPERHEAD TRACER
Propane	Poly Pipe & Fittings	Plastic Pipe	14-1	1537618	WIRE, 14-1, TRACER, 14 GAUGE POLY
Propane	Poly Pipe & Fittings	Plastic Pipe	14-1-CCS	1542377	WIRE, 14-1-CCS, TRACER, 14 GAUGE,
Propane	Poly Pipe & Fittings	Plastic Pipe	PE2406-100	1506713	PIPE, PE, 1" IPS, ORDER IN 500 FT
Propane	Poly Pipe & Fittings	Plastic Pipe	PE2406-100-150	1548909	PIPE, PE, 1" IPS, ORDER IN 150 FT
Propane	Poly Pipe & Fittings	Plastic Pipe	PE2406-100CTS	1506848	PIPE, PE, 1" CTS, ORDER IN 500 FT QTY
Propane	Poly Pipe & Fittings	Plastic Pipe	PE2406-114	1506714	PIPE, PE, 1 1/4" IPS, 500 FT ROLL, 170LBS,
Propane	Poly Pipe & Fittings	Plastic Pipe	PE2406-12	1506711	PIPE, PE, 1/2" IPS, ORDER IN 500FT QTYS
Propane	Poly Pipe & Fittings	Plastic Pipe	PE2406-12CTS	1506847	PIPE, PE, 1/2" CTS, ORDER IN 500 FT QTY
Propane	Poly Pipe & Fittings	Plastic Pipe	PE2406-200	1506933	PIPE, PE2406-200, PERFECTION, 2" IPS POLY
Propane	Poly Pipe & Fittings	Plastic Pipe	PE2406-200-250	1506905	PIPE, PLASTIC, 2" IPS, 250 FT COIL
Propane	Poly Pipe & Fittings	Plastic Pipe	PE2406-34	1506712	PIPE, PE, 3/4" IPS, ORDER IN 500FT QTYS
Propane	Poly Pipe & Fittings	Plastic Pipe	PE2406-34-250	1534471	PIPE, PE, 3/4" IPS, ORDER IN 250FT QTYS

Line of Business	Category	Item Group	RMI Item #	B2B Item #	Description
Propane	Poly Pipe & Fittings	Risers	71271	1542138	RISER,71271,PERFECTION,SERVI-SERT
Propane	Poly Pipe & Fittings	Risers	71353	1542708	RISER, 71353, PERFECTION,
Propane	Poly Pipe & Fittings	Risers	71354	1506844	RISER,71354,1/2CTSx1/2MPT,36 IN,PERFECTI
Propane	Poly Pipe & Fittings	Risers	71355	1506845	RISER, 71355, PERFECTION, 3/4 X 1/2CTS
Propane	Poly Pipe & Fittings	Risers	71356	1506846	RISER, 71356, PERFECTION, 3/4 X 1/2 CTS
Propane	Poly Pipe & Fittings	Risers	71410	1507076	RISER, 71410, PERFECTION,3/4"
Propane	Poly Pipe & Fittings	Risers	71411	1527584	RISER, 71411, PERFECTION, 3/4", 60"
Propane	Poly Pipe & Fittings	Risers	71412	1526894	RISER, 71412,PERFECTION,3/4 X 3/4IPS,84"
Propane	Poly Pipe & Fittings	Risers	71463	1538257	RISER, 71463, PERFECTION, STUB FLEX
Propane	Poly Pipe & Fittings	Risers	71600	1507091	RISER, 71600,PERFECTION,PERMASERT
Propane	Poly Pipe & Fittings	Risers	71721	1506992	RISER,71721,3/4 X 3/4,SERVI-SERT
Propane	Poly Pipe & Fittings	Risers	71731	1507013	RISER, 71731, PERFECTION, 1" X 1" 1PS
Propane	Poly Pipe & Fittings	Risers	PG75901	1548134	RISER, PG75901, PERFECTION,
Propane	Poly Pipe & Fittings	Risers	PG75906	1548214	RISER,PG75906,PERFECTION,2"IPS,ANODELESS
Propane	Poly Pipe & Fittings	Risers	PG77120	1548289	RISER, PG77120, PERFECTION,
Propane	Poly Pipe & Fittings	Risers	PG78442	1548277	RISERS,PG78442,PERFECTION,1"X1"IPS,
Propane	Poly Pipe & Fittings	Risers	PG79354	1548291	RISER,PG79354,3/4 X 3/4IPS,PERFECTION
Propane	Poly Pipe & Fittings	Risers	PM77181	1548136	RISER,PM77181,PERFECTION,3/4"IPsx1/2"CTS
Propane	Poly Pipe & Fittings	Risers	PM77195	1549047	RISER,PM77195,PERFECTION,3/4IPsx1/2CTS
Propane	Poly Pipe & Fittings	Risers	PM77201	1548208	RISER,PM77201,PERFECTION,3/4IPS X 1/2 CT
Propane	Poly Pipe & Fittings	Risers	PM77205	1548183	RISER,PM77205,PERFECTION,1/2 MPTx1/2CTS
Propane	Poly Pipe & Fittings	Risers	PM77253	1548347	RISER, 30",PM77253, PERFECTION, 1/2CTS,
Propane	Poly Pipe & Fittings	Risers	TF-100X100	1506902	FITTING, TF-100X100, TRANSITION
Propane	Poly Pipe & Fittings	Risers	TF-114X114	1507032	TRANSITION, TF-114X114, PERFECTION,
Propane	Poly Pipe & Fittings	Risers	TF-12X12	1517174	FITTING, TF-12X12, PERMASERT, TRANSITION
Propane	Poly Pipe & Fittings	Risers	TF-12X12CTS	1539385	FITTING, TF-12X12CTS, PERMASERT, TRANS
Propane	Poly Pipe & Fittings	Risers	TF-200X200	1540799	TRANSITION, TF-200X200, PERFECTION,
Propane	Poly Pipe & Fittings	Risers	TF-300X300	1518439	FITTING, TF-300X300, 3" TRANSITION
Propane	Poly Pipe & Fittings	Risers	TF-34X100CTS	1538150	FITTING, TF-34X100 CTS, TRANSITION
Propane	Poly Pipe & Fittings	Risers	TF-34X12	1546634	TRANSITION,700401,3/4"MX1/2"IPS,TF-34X12
Propane	Poly Pipe & Fittings	Risers	TF-34X12CTS	1534472	TRANSITION,TF34x12CTS,PERF 700205,18"
Propane	Poly Pipe & Fittings	Risers	TF-34X34	1507006	FITTING,TF-34X34,TRANSITION,700802,
Propane	Poly Pipe & Fittings	Risers	TRA-100X100	1545295	RISER,TRA-100X100,ANODELESS,30 X 24
Propane	Poly Pipe & Fittings	Risers	TRA-100X100CTS	1545294	RISER,TRA-100X100CTS,ANODELESS,30 X 24
Propane	Poly Pipe & Fittings	Risers	TRA-114X114	1540798	RISER, TRA-114X114, 1 1/4 IPS, FUSION
Propane	Poly Pipe & Fittings	Risers	TRA-200X200	1507104	RISER, TRA-200X200, 2" IPS, FUSION
Propane	Poly Pipe & Fittings	Risers	TRA-300X300	1507096	TRANSITION, TRA300X300, 3" 90 DEGREE
Propane	Poly Pipe & Fittings	Risers	TRA-34X12	1507889	RISER,TRA-34X12,PERFECTION,79036
Propane	Poly Pipe & Fittings	Risers	TRA-34X34	1507071	RISER, TRA-3/4X3/4,PERFECTION,79353,
Propane	Poly Pipe & Fittings	Tools for Plastic	55190	1506825	CUTTER, 55190, PE 1/2" CTS 1" CTS
Propane	Poly Pipe & Fittings	Tools for Plastic	58500	1547772	TOOL, 58500, PERFECTION,CHAMFERING, 1/2"
Propane	Poly Pipe & Fittings	Tools for Plastic	58501	1548197	TOOL,58501,PERFECTION,CHAMFERING,1/2"IPS
Propane	Poly Pipe & Fittings	Tools for Plastic	58503	1547773	TOOL,58503,PERFECTION,CHAMFERING,3/4IPS
Propane	Poly Pipe & Fittings	Tools for Plastic	58504	1548198	TOOL,58504,PERFECTION,CHAMFERING,1"CTS
Propane	Poly Pipe & Fittings	Tools for Plastic	58505	1547970	TOOL, 58505,PERFECTION,CHAMFERING,1 IPS
Propane	Poly Pipe & Fittings	Tools for Plastic	58507	1548199	TOOL, 58507,PERFECTION,CHAMFER,1 1/4"IPS
Propane	Poly Pipe & Fittings	Tools for Plastic	58509	1548200	TOOL,58509,PERFECTION,CHAMFER,2"IPS
Propane	Poly Pipe & Fittings	Tools for Plastic	77XXXX	1545091	SHUT OFF,77XXXX,WHEELER,3/8-2",
Propane	Poly Pipe & Fittings	Tools for Plastic	78-004	1542378	FLAG, 78-004, YELLOW, MARKING, 4X5INCH,
Propane	Poly Pipe & Fittings	Tools for Plastic	BLADE	1548537	BLADE, REPLACEMENT FOR SHEARS,1/2-1 1/4
Propane	Poly Pipe & Fittings	Tools for Plastic	BLADE-2	1548538	BLADE-2,REPLACEMENT FOR SHEARS,1/2-2"
Propane	Poly Pipe & Fittings	Tools for Plastic	CST-3	1537999	TAPE, 3", YELLOW , CAUTION SAFETY
Propane	Poly Pipe & Fittings	Tools for Plastic	GT-3	1518395	TAPE, GT-3, METALLIC LOCATOR, ROLL
Propane	Poly Pipe & Fittings	Tools for Plastic	NT-3	1534414	TAPE, NT-3, NON-METALLIC, LOCATOR, ROLL
Propane	Poly Pipe & Fittings	Tools for Plastic	SB-325	1549709	BARRIER,SB-325,SHOVELBARRIER,325",TRACER
Propane	Poly Pipe & Fittings	Tools for Plastic	SHEARS	1506903	CUTTER,SHEARS,1/2"-1 1/4" PLASTIC PIPE
Propane	Poly Pipe & Fittings	Tools for Plastic	SHEARS-2	1524307	SHEARS, SHEARS-2, 1/2"-2" PLASTIC PIPE



ALL Products by Category



Line of Business	Category	Item Group	RMI Item #	B2B Item #	Description
Propane	Pumps	Blackmer By-pass Valves	BV-2	1546738	VALVE,893980,BLACKMER,BV-2,2"BYPASS
Propane	Pumps	Blackmer By-pass Valves	BV-3/4	1516699	VALVES, BV-3/4,BLACKMER,BYPASS,25-60 GPM
Propane	Pumps	Blackmer Pumps	LGF1	1538986	PUMP ONLY, BLACKMER, LGF1, 1HP
Propane	Pumps	Blackmer Pumps	LGF1-1HP	1517091	PUMP & MOTOR KIT, LGF1-1HP, BLACKMER,
Propane	Pumps	Blackmer Pumps	LGF1P	1527216	PUMP, BLACKMER, LGF1P, PUMP ONLY
Propane	Pumps	Blackmer Pumps	LGF1P-1.5HP	1516930	PUMP, LGF1P-1.5HP, BLACKMER, w/1.5HP
Propane	Pumps	Blackmer Pumps	LGL-1 1/4	1546233	PUMP, LGL 1.25, BLACKMER,
Propane	Pumps	Blackmer Pumps	LGL-1 1/4-DM	1517133	PUMP/MOTOR, LGL 1.25-DM, BLACKMER,
Propane	Pumps	Blackmer Pumps	LGLD3E	1516695	PUMP, LGLD3E, BLACKMER, BULK TRANSFER,
Propane	Pumps	Blackmer Pumps	LGRLF-1 1/4	1533472	PUMP, LGRLF-1 1/4, BLACKMER,
Propane	Pumps	Corken Parts	3325	1541162	LENS,3325,REPLACEMENT,FOR FC 200
Propane	Pumps	Electric Motors	EM-3	1526075	MOTOR, EM-3, 3HP, 230/460v ELECTRIC,
Propane	Pumps	Electric Motors	EM-5	1540958	MOTOR, EM-5, BALDOR, 5 HP, 1725 RPM
Propane	Pumps	Electric Motors	EMC-1	1523551	MOTOR, EMC-1,FOR BLACKMER PUMP, 1 HP
Propane	Pumps	Electric Motors	EMC-1.5	1516951	MOTOR,EMC-1.5,BALDOR, 1.5 HP
Propane	Pumps	Electric Motors	EMC-2	1545581	MOTOR,EMC-2, BALDOR, 2HP, SINGLE PHASE
Propane	Pumps	Electric Motors	EMCT-2	1541425	MOTOR, EMCT-2, BALDOR,
Propane	Pumps	Electric Motors	EMCT-7.5	1542891	MOTOR, EMCT-7.5, BALDOR,
Propane	Pumps	Electric Motors	EMS-5	1548398	MOTOR,EMS-5,BALDOR,5HP,SINGLE PHASE
Propane	Pumps	Pump Parts	185101	1517951	LINER, 185101, BLACKMER
Propane	Pumps	Pump Parts	265147	1517950	ASSEMBLY, 265147, BLACKMER,ROTOR & SHAFT
Propane	Pumps	Pump Parts	451417	1527758	VALVE, 451417, BLACKMER
Propane	Pumps	Pump Parts	452901	1538530	VALVE, 452901, BLACKMER, RELIEF
Propane	Pumps	Pump Parts	471428	1520646	SPRING, 471428, BLACKMERE, R-V
Propane	Pumps	Pump Parts	898917	1545006	KIT,898917,BLACKMER,PUMP MAINTENANCE
Propane	Pumps	Pump Parts	898976	1501849	KIT, 898976, BLACKMER, PUMP REPAIR,
Propane	Pumps	Pump Parts	898981	1541767	KIT, 898981, BLACKMER, FOR LGLD3E
Propane	Pumps	Pump Parts	898994	1538088	KIT, 898994, BLACKMERE, REPAIR,
Propane	Pumps	Pump Parts	899081	1543842	KIT,899081,BLACKMER,REBUILD
Propane	Pumps	Pump Parts	899125	1542335	KIT, 899125, BLACKMER, REBUILD,
Propane	Pumps	Pump Parts	899225	1541769	KIT, 899225, BLACKMERE, PUMP REPAIR
Propane	Pumps	Pump Parts	903090	1545842	TOOL,903090,LOCK COLLAR ADJ,1" - 1.5"
Propane	Pumps	Smith Pumps and By-pass valves	GC1ZL-1-5DR	1540984	PUMP, GC1ZL-1-5DR. SMITH, 6WEEK LEADTIME
Propane	Pumps	Switch & Controls	609-AHX	1547464	STARTER SWITCH,609-AHX,MANUAL W/HEATER
Propane	Pumps	Switch & Controls	XS-52C	1512307	SWITCH, XS-52C,BLAND ELECTRICAL,SINGLE

Line of Business	Category	Item Group	RMI Item #	B2B Item #	Description
Propane	Regulators	Cavagna Compact Regulators	924N	1541619	REGULATOR,924N,CAVAGNA,AUTO CHANGEOVER
Propane	Regulators	Fisher 1st Stage Regulators	R122H-AAJ	1528309	REGULATOR, R122H-AAJ, FISHER,1 STAGE
Propane	Regulators	Fisher 1st Stage Regulators	R622H-BGJ	1526690	REGULATOR, R622H-BGJ, FISHER, 1-STAGE,
Propane	Regulators	Fisher 1st Stage Regulators	R622H-BGK	1526691	REGULATOR, R622H-BGK, FISHER, 1/2 X 1/2
Propane	Regulators	Fisher 1st Stage Regulators	R622H-DGJ	1526692	REGULATOR, R622H-DGJ, FISHER, 1-STAGE,
Propane	Regulators	Fisher 1st Stage Regulators	R622H-HGJ	1526693	REGULATOR, R622H-HGJ, FISHER, POL X 1/2
Propane	Regulators	Fisher 1st Stage Regulators	R622H-HGK	1533591	REGULATOR, R622H-HGK, FISHER, 1ST STAGE
Propane	Regulators	Fisher 1st Stage Regulators	R622H-JGJ	1526694	REGULATOR, R622H-JGJ, FISHER,10 PSI,
Propane	Regulators	Fisher 1st Stage Regulators	R622H-JGK	1526695	REGULATOR, R622H-JGK, FISHER
Propane	Regulators	Fisher 2nd Stage Regulators	HSRL-BFC	1528156	REGULATOR, HSRL-BFC,FISHER,COMMERCIAL
Propane	Regulators	Fisher 2nd Stage Regulators	HSRL-CFC	1527914	REGULATOR, HSRL-CFC, FISHER, 1" NPT,
Propane	Regulators	Fisher 2nd Stage Regulators	R222-BAF	1534412	REGULATOR, R222-BAF, FISHER,
Propane	Regulators	Fisher 2nd Stage Regulators	R622-BCF	1526679	REGULATOR, R622-BCF,FISHER, 1/2 X 1/2
Propane	Regulators	Fisher 2nd Stage Regulators	R622-CFF	1526683	REGULATOR, R622-CFF, FISHER, 1/2 X 3/4
Propane	Regulators	Fisher 2nd Stage Regulators	R622-CFFXA	1526685	REGULATOR, R622-CFFXA, FISHER, 1/2 X 3/4
Propane	Regulators	Fisher 2nd Stage Regulators	R622-CFFXB	1533587	REGULATOR, R622-CFFXB, FISHER, 2ND STAGE
Propane	Regulators	Fisher 2nd Stage Regulators	R622-DFE	1526687	REGULATOR,R622-DFE,FISHER, 2ND STAGE,
Propane	Regulators	Fisher 2nd Stage Regulators	R622E-BCH	1526688	REGULATOR, R622E-BCH, FISHER, 2PSI, 1/2"
Propane	Regulators	Fisher 2nd Stage Regulators	R622E-DCH	1526689	REGULATOR, R622E-DCH, FISHER, 3/4" INLET
Propane	Regulators	Fisher 2nd Stage Regulators	R642-DFE	1534258	REGULATOR, R642-DFE, FISHER,
Propane	Regulators	Fisher 2nd Stage Regulators	R652-CFF	1533595	REGULATOR, R652-CFF, FISHER, 2ND STAGE
Propane	Regulators	Fisher 2nd Stage Regulators	R652-DFE	1526697	REGULATOR,R652-DFE,FISHER,2ND STAGE
Propane	Regulators	Fisher 2nd Stage Regulators	R652E-DFH	1533596	REGULATOR, R652E-DFH, FISHER, 2 PSI
Propane	Regulators	Fisher Twin Stage Regulators	R232A-BBF	1541843	REGULATOR, R232A-BBF, FISHER,COMPACT
Propane	Regulators	Fisher Twin Stage Regulators	R232A-BBFXA	1542103	REGULATOR, R232A-BBFXA, FISHER,2ND STAGE
Propane	Regulators	Fisher Twin Stage Regulators	R232A-HBF	1542323	REGULATOR, R232A-HBF, FISHER, INTERGRAL
Propane	Regulators	Fisher Twin Stage Regulators	R232A-HBFXA	1542366	REGULATOR, R232A-HBFXA, FISHER,2ND STAGE
Propane	Regulators	Fisher Twin Stage Regulators	R232E-BBH	1542385	REGULATOR, R232E-BBH, FISHER, 2PSI
Propane	Regulators	Fisher Twin Stage Regulators	R232E-HBH	1541898	REGULATOR, R232E-HBH, FISHER, 2 PSI
Propane	Regulators	Fisher Twin Stage Regulators	R632A-BCF	1541904	REGULATOR,R632A-BCF,FISHER,1/4FNPT INLET
Propane	Regulators	Fisher Twin Stage Regulators	R632A-BCFXA	1542071	REGULATOR, R632A-BCFXA, FISHER,TWO STAGE
Propane	Regulators	Fisher Twin Stage Regulators	R632A-CFF	1541905	REGULATOR,R632A-CFF,FISHER,1/4FNPT INLET
Propane	Regulators	Fisher Twin Stage Regulators	R632A-CFFXA	1548417	REGULATOR,R632A-CFFXA,FISHER,1/4"INLET
Propane	Regulators	Fisher Twin Stage Regulators	R632A-HCF	1541984	REGULATOR,R632A-HCF,FISHER,INTREGRAL
Propane	Regulators	Fisher Twin Stage Regulators	R632A-JFF	1541863	REGULATOR,R632A-JFF,FISHER,POL X 3/4 NPT
Propane	Regulators	Fisher Twin Stage Regulators	R632E-BCH	1544703	REGULATOR,R632E-BCH,FISHER,2PSI 2-STAGE
Propane	Regulators	Fisher Twin Stage Regulators	R632E-HCH	1544338	REGULATOR,R632E-HCH,FISHER,2PSI,RESIDENT
Propane	Regulators	Fisher Twin Stage Regulators	R632E-JFH	1541985	REGULATOR,R632E-JFH,FISHER,2 PSI
Propane	Regulators	Fisher Adjustable Regs & Acces	64-222	1504899	REGULATOR, 64/222, FISHER, 64/33 W/35-10
Propane	Regulators	Fisher Adjustable Regs & Acces	64-33	1504896	REGULATOR, 64/33, FISHER, HIGH PRESSURE,
Propane	Regulators	Fisher Adjustable Regs & Acces	64-35	1504897	REGULATOR, 64/35, FISHER, HIGH PRESSURE,
Propane	Regulators	Fisher Adjustable Regs & Acces	64-36	1504898	REGULATOR, 64/36, FISHER, HIGH PRESSURE,
Propane	Regulators	Fisher Adjustable Regs & Acces	64SR-21	1504900	REGULATOR, 64SR/21, FISHER,1/2 X 1/2 NPT
Propane	Regulators	Fisher Adjustable Regs & Acces	64SR-22	1504901	REGULATOR, 64SR/22, FISHER, 64SR/21
Propane	Regulators	Fisher Adjustable Regs & Acces	64SR-23	1504902	REGULATOR, 64SR/23, FISHER, W/5-35 PSI
Propane	Regulators	Fisher Adjustable Regs & Acces	67CD-101	1533597	REGULATOR, 67CD-101, FISHER, ADJUSTABLE
Propane	Regulators	Fisher Adjustable Regs & Acces	67CD-102	1533598	REGULATOR, 67CD-102, FISHER, ADJUSTABLE
Propane	Regulators	Fisher Adjustable Regs & Acces	67CD-103	1533599	REGULATOR, 67CD-103, FISHER, ADJUSTABLE
Propane	Regulators	Fisher Adjustable Regs & Acces	67CH-150	1533600	REGULATOR, 67CH-150, FISHER, MPOL X 9/16
Propane	Regulators	Fisher Adjustable Regs & Acces	67CH-741	1533480	REGULATOR, 67CH-741, FISHER, 50-135 PSI
Propane	Regulators	Fisher Adjustable Regs & Acces	67CH-742	1533479	REGULATOR, 67CH-742, FISHER, 30-60 PSI
Propane	Regulators	Fisher Adjustable Regs & Acces	67CH-743	1528162	REGULATOR, 67CH-743, FISHER, 0-35 PSI
Propane	Regulators	Fisher Adjustable Regs & Acces	67CH-745	1533602	REGULATOR, 67CH-745, FISHER, ADJUSTABLE
Propane	Regulators	Fisher Adjustable Regs & Acces	67CH-80	1533603	REGULATOR, 67CH-80, FISHER,67CH-742 WITH
Propane	Regulators	Fisher Adjustable Regs & Acces	67CH-90	1533604	REGULATOR, 67CH-90, FISHER,67CH-743 WITH
Propane	Regulators	Fisher Adjustable Regs & Acces	67CN-104	1533605	REGULATOR, 67CN-104, FISHER, NON
Propane	Regulators	Fisher Adjustable Regs & Acces	67CN-105	1533606	REGULATOR, 67CN-105, FISHER, NON
Propane	Regulators	Fisher Adjustable Regs & Acces	67CN-106	1533607	REGULATOR, 67CN-106, FISHER, NON
Propane	Regulators	Fisher Adjustable Regs & Acces	67CW-62	1533609	REGULATOR, 67CW-62, FISHER, 50-135 PSI
Propane	Regulators	Fisher Adjustable Regs & Acces	67CW-683	1538541	REGULATOR, 67CW/683,FISHER,HIGH PRESSURE
Propane	Regulators	Fisher Adjustable Regs & Acces	67CW-684	1533610	REGULATOR, 67CW-684, FISHER, ADJUSTABLE
Propane	Regulators	Fisher Adjustable Regs & Acces	67CW-685	1533611	REGULATOR, 67CW-685, FISHER, ADJUSTABLE
Propane	Regulators	Fisher Adjustable Regs & Acces	67CW-701	1533612	REGULATOR, 67CW-701, FISHER, ADJUSTABLE
Propane	Regulators	Fisher Adjustable Regs & Acces	912-101	1504973	REGULATOR, 912/101, FISHER, FOR SMALL
Propane	Regulators	Fisher Adjustable Regs & Acces	912-122	1520230	REGULATOR, APPLI,912/122, FISHER,
Propane	Regulators	Fisher Adjustable Regs & Acces	P100A	1505551	BRACKET, P100A, FISHER, TRIANGULAR, FOR
Propane	Regulators	Fisher Adjustable Regs & Acces	Y602-5	1504863	ASSEMBLY, Y602-5, FISHER, ANGLE VENT,
Propane	Regulators	Fisher Adjustable Regs & Acces	Y602-7	1504865	ASSEMBLY, Y602-7, FISHER, ANGLE VENT,
Propane	Regulators	Fisher Adjustable Regs & Acces	Y602-8	1504866	ASSEMBLY, Y602-8, FISHER, Y602-7 W/STABI
Propane	Regulators	Fisher Adjustable Regs & Acces	Y602-9	1504867	ASSEMBLY, Y602-9, FISHER, ANGLE VENT,



Line of Business	Category	Item Group	RMI Item #	B2B Item #	Description
Propane	Regulators	Fisher Industrial Regulators	1805-19P	1539626	VALVE,1805-19P,FISHER,RELIEF,1"
Propane	Regulators	Fisher Industrial Regulators	289H-2	1505018	VALVE, 289H-2, FISHER, RELIEF, 2 NPT,
Propane	Regulators	Fisher Industrial Regulators	289H-3	1545071	VALVE, 289H-3, FISHER, RELIEF, 3 NPT,
Propane	Regulators	Fisher Industrial Regulators	289H-43	1538593	VALVE, 289H-43, FISHER, RELIEF, 1",
Propane	Regulators	Fisher Industrial Regulators	627-5810	1533617	REGULATOR, 627/5810, FISHER, 1ST STAGE
Propane	Regulators	Fisher Industrial Regulators	627-6210	1533618	REGULATOR, 627-6210, FISHER, 1ST STAGE
Propane	Regulators	Fisher Industrial Regulators	627-7710	1533619	REGULATOR, 627/7710, FISHER, 1ST STAGE
Propane	Regulators	Fisher Industrial Regulators	627-7710V	1539709	REGULATOR, 627-7710V, FISHER, 1"
Propane	Regulators	Fisher Industrial Regulators	627M-267	1546606	REGULATOR, 627M-267, FISHER,
Propane	Regulators	Fisher Industrial Regulators	627M-421	1533485	REGULATOR, 627M-421, FISHER,
Propane	Regulators	Fisher Industrial Regulators	627M-471	1542643	REGULATOR, 627M-471,FISHER,
Propane	Regulators	Fisher Industrial Regulators	627R-117	1528268	REGULATOR, 627R-117, FISHER, COMMERCIAL
Propane	Regulators	Fisher Industrial Regulators	627R-197	1533484	REGULATOR, 627R-197,FISHER, COMMERCIAL
Propane	Regulators	Fisher Industrial Regulators	630-104/78V	1546849	REGULATOR,630-104/78V,FISHER,VITON,
Propane	Regulators	Fisher Industrial Regulators	630-104-78	1505024	REGULATOR, 630-104-78, FISHER, 1-STAGE,
Propane	Regulators	Fisher Industrial Regulators	99-504PHM	1542586	REGULATOR,99-504PHM,FISHER,MONITOR
Propane	Regulators	Fisher Industrial Regulators	99-512P	1504985	REGULATOR, 99-512P, FISHER, 2 - 10 PSI
Propane	Regulators	Fisher Industrial Regulators	99-515P	1538041	REGULATOR,99-515P, FISHER, HIGH PRESSURE
Propane	Regulators	Fisher Industrial Regulators	99-901PH	1546842	REGULATOR,99-901PH,FISHER,2"HP PILOT REG
Propane	Regulators	Fisher Industrial Regulators	CS200IR-6EC3	1540467	REGULATOR, CS200IR-6EC3,FISHER,
Propane	Regulators	Fisher Industrial Regulators	CS200IR-6EC6	1542313	REGULATOR, CS200IR-6EC6,FISHER,
Propane	Regulators	Fisher Industrial Regulators	CS400IR-6EC6	1547606	REGULATOR,CS400IR-6EC6,FISHER,
Propane	Regulators	Fisher Industrial Regulators	CS400IR-6IC6	1541125	REGULATOR,CS400IR-6IC6,FISHER, 1 1/4"
Propane	Regulators	Fisher Industrial Regulators	CS400IR-6IC7	1540319	REGULATOR,CS400IR-6IC7,FISHER
Propane	Regulators	Fisher Industrial Regulators	CS400IR-6IC8	1540630	REGULATOR,CS400IR-6IC8,FISHER
Propane	Regulators	Fisher Industrial Regulators	CS400IR-8EC6	1540041	REGULATOR, CS400IR-8EC6, FISHER,2-STAGE,
Propane	Regulators	Fisher Industrial Regulators	CS400IR-8EC7	1539912	REGULATOR, CS400IR-8EC7, FISHER
Propane	Regulators	Fisher Industrial Regulators	CS400IR-8EC8	1539973	REGULATOR, CS400IR-8EC8, FISHER
Propane	Regulators	Fisher Industrial Regulators	CS800IR-8CC7	1541808	REGULATOR, CS800IR-8CC7, FISHER, 1-1/2"
Propane	Regulators	Fisher Industrial Regulators	CS800IR-8CC8	1542929	REGULATOR, CS800IR-8CC8, FISHER, 2"
Propane	Regulators	Fisher Industrial Regulators	CS820IR-8GC7	1543160	REGULATOR,CS820IR-8GC7,FISHER, COMMERCIA
Propane	Regulators	Fisher Industrial Regulators	CS820IR-8GC8	1542723	REGULATOR,CS820IR-8GC8,FISHER,
Propane	Regulators	Fisher Industrial Regulators	CS820IR-8HC8	1541219	REGULATOR,CS820IR-8HC8,FISHER,
Propane	Regulators	Maxitrol Regulators	12A04	1540637	VENT, 12A04, LIMITER, FOR MAXITROL
Propane	Regulators	Maxitrol Regulators	12A09	1524326	VENT, 12A09, LIMITER, FOR MAXITROL
Propane	Regulators	Maxitrol Regulators	12A39	1512217	LIMITER, 12A39, MAXITROL, SAFETY VENT
Propane	Regulators	Maxitrol Regulators	12A49	1540664	LIMITER, 12A49, MAXITROL, SAFETY VENT
Propane	Regulators	Maxitrol Regulators	13A15	1545949	PROTECTOR, 13A15, VENT,1/8"
Propane	Regulators	Maxitrol Regulators	13A15-5	1541431	COVER, 13A15-5, VENT
Propane	Regulators	Maxitrol Regulators	325-3L-1/2	1543642	REGULATOR,325-3L-1/2, MAXITROL,1/2"
Propane	Regulators	Maxitrol Regulators	325-5AL-1	1539710	REGULATOR, 325-5AL-1, MAXITROL, LP
Propane	Regulators	Maxitrol Regulators	325-5AL-1/2	1540910	REGULATOR, 325-5AL-1/2, MAXITROL, LP
Propane	Regulators	Maxitrol Regulators	325-5AL-3/4	1537643	REGULATOR, 325-5AL-3/4, MAXITROL, LP
Propane	Regulators	Maxitrol Regulators	325-7AL-1.25	1540661	REGULATOR, 325-7AL-1.25, MAXITROL, LP
Propane	Regulators	Maxitrol Regulators	R8110-515	1540662	SPRING, R8110-515, MAXITROL,
Propane	Regulators	Maxitrol Regulators	RV47L-1/2	1524350	REGULATOR, RV47L-1/2 LP, MAXITROL
Propane	Regulators	Maxitrol Regulators	RV47L-3/8	1545874	REGULATOR, RV47L-3/8 LP, MAXITROL
Propane	Regulators	Maxitrol Regulators	RV48L-1/2	1524682	REGULATOR, RV48L-1/2, MAXITROL, LP,
Propane	Regulators	Maxitrol Regulators	RV48L-3/4	1524351	REGULATOR, MAXRV48L-3/4 LP, MAXITROL,
Propane	Regulators	Maxitrol Regulators	RV52-1/2	1540634	REGULATOR, RV52L-1/2, MAXITROL, LP,
Propane	Regulators	Maxitrol Regulators	RV52-3/4	1545291	REGULATOR, RV52L-3/4, MAXITROL, LP,
Propane	Regulators	Maxitrol Regulators	RV53-1	1545292	REGULATOR, RV53-1,MAXITROL,LP
Propane	Regulators	Maxitrol Regulators	RV53-3/4	1535841	REGULATOR, RV53-3/4,MAXITROL,LP
Propane	Regulators	Maxitrol Regulators	RV91-2	1540023	REGULATOR, RV91-2, MAXITROL,
Propane	Regulators	Norgas Regulators	N5B-0750-S-VL0375	1549577	REGULATOR,N5B-0750-S-VL0375,NORGAS,

Line of Business	Category	Item Group	RMI Item #	B2B Item #	Description
Propane	Regulators	MEC 1st Stage Regulators	MEGR-1122H-AAJ	1548569	REGULATOR, MEGR-1122H-AAJ,MEC,COMPACT
Propane	Regulators	MEC 1st Stage Regulators	MEGR-1222H-BGF	1545901	REGULATOR,MEGR-1222H-BGF,MEC,COMPACT
Propane	Regulators	MEC 1st Stage Regulators	MEGR-1222H-BGFXB	1545903	REGULATOR,MEGR-1222H-BGFXB,MEC,COMPACT
Propane	Regulators	MEC 1st Stage Regulators	MEGR-1622H-BGJ	1544023	REGULATOR, MEGR-1622H-BGJ, MEC,FULL SIZE
Propane	Regulators	MEC 1st Stage Regulators	MEGR-1622H-DGJ	1544037	REGULATOR, MEGR-1622H-DGJ, MEC,FULL SIZE
Propane	Regulators	MEC 1st Stage Regulators	MEGR-1622H-HGJ	1544024	REGULATOR, MEGR-1622H-HGJ,MEC, FULL SIZE
Propane	Regulators	MEC 1st Stage Regulators	MEGR-1622H-HGK	1545905	REGULATOR, MEGR-1622H-HGK,MEC, FULL SIZE
Propane	Regulators	MEC 1st Stage Regulators	MEGR-1622H-JGJ	1544025	REGULATOR, MEGR-1622H-JGJ,MEC, FULL SIZE
Propane	Regulators	MEC 1st Stage Regulators	MEGR-1622H-JGK	1545906	REGULATOR, MEGR-1622H-JGK,MEC, FULL SIZE
Propane	Regulators	MEC 2nd Stage Regulators	MEGR-1222-BAF	1544015	REGULATOR, MEGR-1222-BAF,MEC,COMPACT
Propane	Regulators	MEC 2nd Stage Regulators	MEGR-1622-BCF	1544018	REGULATOR, MEGR-1622-BCF, MEC, FULL SIZE
Propane	Regulators	MEC 2nd Stage Regulators	MEGR-1622-CFF	1544019	REGULATOR, MEGR-1622-CFF, MEC, FULL SIZE
Propane	Regulators	MEC 2nd Stage Regulators	MEGR-1622-DFF	1544020	REGULATOR, MEGR-1622-DFF, MEC, FULL SIZE
Propane	Regulators	MEC 2nd Stage Regulators	MEGR-1622E-BCH	1544021	REGULATOR, MEGR-1622E-BCH,MEC, FULL SIZE
Propane	Regulators	MEC 2nd Stage Regulators	MEGR-1622E-DCH	1544022	REGULATOR, MEGR-1622E-DCH, MEC,FULL SIZE
Propane	Regulators	MEC 2nd Stage Regulators	MEGR-1642-DFF	1545907	REGULATOR, MEGR-1642-DFF, MEC, 2ND, FULL
Propane	Regulators	MEC 2nd Stage Regulators	MEGR-1652-CFF	1544030	REGULATOR, MEGR-1652-CFF, MEC,FULL SIZE
Propane	Regulators	MEC 2nd Stage Regulators	MEGR-1652-DFF	1544032	REGULATOR, MEGR-1652-DFF, MEC,FULL SIZE
Propane	Regulators	MEC 2nd Stage Regulators	MEGR-1652E-DFH	1544033	REGULATOR, MEGR-1652E-DFH, MEC,FULL SIZE
Propane	Regulators	MEC 2nd Stage Regulators	MEGR-1HSRL-BFC	1544034	REGULATOR,MEGR-1HSRL-BFC,MEC,HOUSE SERV
Propane	Regulators	MEC 2nd Stage Regulators	MEGR-1HSRL-CFC	1544035	REGULATOR,MEGR-1HSRL-CFC,MEC,HOUSE SERV
Propane	Regulators	MEC Twin Stage Regulators	MEGR-1232-BBF	1544016	REGULATOR,MEGR-1232-BBF,MEC,COMPACT TWIN
Propane	Regulators	MEC Twin Stage Regulators	MEGR-1232-BBFXA	1545908	REGULATOR,MEGR-1232-BBFXA,MEC,COMPACT TWIN
Propane	Regulators	MEC Twin Stage Regulators	MEGR-1232E-BBH	1545914	REGULATOR,MEGR-1232E-BBH,MEC,COMPACT
Propane	Regulators	MEC Twin Stage Regulators	MEGR-1232E-HBH	1545915	REGULATOR,MEGR-1232E-HBH,MEC,COMPACT
Propane	Regulators	MEC Twin Stage Regulators	MEGR-1232-HBF	1544017	REGULATOR, MEGR-1232-HBF, MEC, COMPACT
Propane	Regulators	MEC Twin Stage Regulators	MEGR-1232-HBFXA	1545909	REGULATOR, MEGR-1232-HBFXA, MEC, COMPACT
Propane	Regulators	MEC Twin Stage Regulators	MEGR-1632-BCF	1544026	REGULATOR, MEGR-1632-BCF,MEC, FULL SIZE
Propane	Regulators	MEC Twin Stage Regulators	MEGR-1632-BCFXA	1545910	REGULATOR, MEGR-1632-BCFXA,MEC, FULLSIZE
Propane	Regulators	MEC Twin Stage Regulators	MEGR-1632-CFF	1544027	REGULATOR, MEGR-1632-CFF, MEC,FULL SIZE
Propane	Regulators	MEC Twin Stage Regulators	MEGR-1632E-BCH	1545916	REGULATOR, MEGR-1632E-BCH, MEC, TWIN
Propane	Regulators	MEC Twin Stage Regulators	MEGR-1632E-CFH	1545918	REGULATOR, MEGR-1632E-CFH, MEC, TWIN
Propane	Regulators	MEC Twin Stage Regulators	MEGR-1632E-HCH	1545917	REGULATOR, MEGR-1632E-HCH, MEC, TWIN
Propane	Regulators	MEC Twin Stage Regulators	MEGR-1632E-JFH	1545919	REGULATOR, MEGR-1632E-JFH, MEC, TWIN
Propane	Regulators	MEC Twin Stage Regulators	MEGR-1632-HCF	1544028	REGULATOR, MEGR-1632-HCF, MEC,FULL SIZE
Propane	Regulators	MEC Twin Stage Regulators	MEGR-1632-HCFXA	1545912	REGULATOR, MEGR-1632-HCFXA,MEC,FULL SIZE
Propane	Regulators	MEC Twin Stage Regulators	MEGR-1632-JFF	1544029	REGULATOR, MEGR-1632-JFF, MEC,FULL SIZE
Propane	Regulators	MEC Twin Stage Regulators	MEGR-1632-JFFXA	1545913	REGULATOR, MEGR-1632-JFFXA,MEC,FULL SIZE
Propane	Regulators	MEC Twin Stage Regulators	MEGR-291	1544039	REGULATOR, MEGR-291, MARSHALL EXCELSIOR,
Propane	Regulators	MEC Adjustable Regs & Access	ME960-120	1540676	KIT, ME960-120, MARSHALL EXCEL, FLEX
Propane	Regulators	MEC Adjustable Regs & Access	ME960-120C	1542749	KIT,ME960-120C, MEC,FLEX VENT RELOCATION
Propane	Regulators	MEC Adjustable Regs & Access	ME960-36	1541215	KIT,ME960-36,MARSH EXCEL,VENT RELOCATION
Propane	Regulators	MEC Adjustable Regs & Access	ME960-48	1541217	KIT,ME960-48,MARSH EXCEL,VENT RELOCATION
Propane	Regulators	MEC Adjustable Regs & Access	ME960-72	1541218	KIT,ME960-72,MARSH EXCEL,VENT RELOCATION
Propane	Regulators	MEC Adjustable Regs & Access	MEGR-100C	1545969	BRACKET, MEGR-100C, MEC, UNIVERSAL
Propane	Regulators	MEC Adjustable Regs & Access	MEGR-164SR/23	1545721	REGULATOR,MEGR-164SR/23,MEC,1/2"FNPT x 1
Propane	Regulators	MEC Adjustable Regs & Access	MEGR-6120-30	1545743	REGULATOR,MEGR-6120-30,MEC,0-30PSI - 1/4
Propane	Regulators	MEC Industrial Regulators	MEGR-1289H/49	1544043	REGULATOR/RELEIF, MEGR-1289H/49, 1", 15-
Propane	Regulators	MEC Industrial Regulators	MEGR-1627M/471	1545446	REGULATOR, MEGR-1627M/471, MARSH EXCEL,
Propane	Regulators	MEC Industrial Regulators	MEGR-175CS61222-BAF	1544038	REGULATOR,MEGR-175CS61222-BAF,MEC
Propane	Regulators	MEC Industrial Regulators	MEGR-175CS61622-BCF	1544036	REGULATOR, MEGR-175CS61622-BCF, MEC
Propane	Regulators	MEC Industrial Regulators	MEGR-S1202G-BNC	1544040	REGULATOR, MEGR-S1202G-BNC, MEC, SECOND
Propane	Tank Accessories	Caps	S-501	1537574	COLLAR, S-501, CYLINDER, 100 LB
Propane	Tank Accessories	Cathodic Protection	16906	1538216	CRYSTALS, 16906, J&N ENTERPRISES, TESTER
Propane	Tank Accessories	Cathodic Protection	1U-150-012	1538054	UNION, 1U-150-012, INSULATING, 1/2"
Propane	Tank Accessories	Cathodic Protection	1U-150-034	1538324	UNION, 1U-150-034, INSULATING, 3/4"
Propane	Tank Accessories	Cathodic Protection	1U-150-100	1538323	UNION, 1U-150-100, INSULATING, 1"
Propane	Tank Accessories	Cathodic Protection	1U-3000-100	1539017	UNION,IU-3000-100,1", INSULATING, SCH80
Propane	Tank Accessories	Cathodic Protection	B117A	1537756	DISCS, B117A, SILVER,
Propane	Tank Accessories	Cathodic Protection	ME690-4-10	1542833	UNION,ME690-4-10,MEC,1/2"MNPTX5/8" MFL
Propane	Tank Accessories	Cathodic Protection	ME690-4-6	1542754	UNION,ME690-4-6,MEC,1/2"MNPTX3/8" MFL
Propane	Tank Accessories	Cathodic Protection	ME690-4-8	1541183	UNION,ME690-4-8,MARSH EXCEL,1/2MXP1/2MF
Propane	Tank Accessories	Cathodic Protection	ME690-6-10	1542834	UNION,ME690-6-10,MEC,3/4"MNPTX5/8" MFL
Propane	Tank Accessories	Cathodic Protection	ME690-6-6	1542835	UNION,ME690-6-6,MEC,3/4"MNPTX3/8" MFL
Propane	Tank Accessories	Cathodic Protection	ME690-6-8	1542836	UNION,ME690-6-8,MEC,3/4"MNPTX1/2" MFL
Propane	Tank Accessories	Cathodic Protection	MG-17-HP	1539263	ANODE,17LB,GALVOTEC,HIGH POTENTIAL,MAGNE
Propane	Tank Accessories	Cathodic Protection	MG-5-HP	1539265	ANODE, 5 LB, GALVOTEC, HIGH POTENTIAL
Propane	Tank Accessories	Cathodic Protection	MG-9-HP	1539264	ANODE,9LB,GALVOTEC,HIGH POTENTIAL,MAGNES
Propane	Tank Accessories	Cathodic Protection	MG-DR-1.0	1545570	ANODE,MG-DR-1.0, SPIKE DRIVE
Propane	Tank Accessories	Cathodic Protection	MG-DR-CLAMP-2	1542676	CLAMP,MG-DR-CLAMP-2,PIPE, ADJ W/SCREW
Propane	Tank Accessories	Cathodic Protection	MM50-2	1541635	TAPE,MM50-2,SCOTCH WRAP,2 X 1000
Propane	Tank Accessories	Cathodic Protection	MM50-4	1540744	TAPE,MM50-4,SCOTCHWRAP, 4" X 100FT
Propane	Tank Accessories	Cathodic Protection	MODEL 6B	1543853	ELECTRODE,MODEL 6B,HALF CELL REFERENCE



ALL Products by Category



Line of Business	Category	Item Group	RMI Item #	B2B Item #	Description
Propane	Tank Accessories	Cylinder Equipment - Large	2068	1527522	JACK, 2068, SAF-T-JAC, DEMPSTER
Propane	Tank Accessories	Cylinder Equipment - Large	22626	1538984	BLOCK, 22626, DANDI, FOR 200# AND 420#
Propane	Tank Accessories	Cylinder Equipment - Large	81230	1537724	BLOCK, 81230, PLASTIC, BEVELED, ASME
Propane	Tank Accessories	Cylinder Equipment - Large	7325-5	1523186	TRUCK, T7325-5, CYLINDER, 100#
Propane	Tank Accessories	Cylinder Equipment - Large	EZ-1445	1540803	ANCHOR, EZ-1445, MINUTE MAN,WET CONCRETE
Propane	Tank Accessories	Cylinder Equipment - Large	EZ-1450	1540804	ANCHOR, EZ-1450, MINUTE MAN,WET CONCRETE
Propane	Tank Accessories	Cylinder Equipment - Large	EZ-2370	1538235	SLING, EZ-2370, MINUTE MAN,STAINLESS STE
Propane	Tank Accessories	Cylinder Equipment - Large	FLC33	1547344	CART,FLC33,FOR MOTOR FUEL CYLINDER
Propane	Tank Accessories	Cylinder Equipment - Large	MW-2001	1512899	WHEEL, MW2001, HAND TRUCK
Propane	Tank Accessories	Cylinder Equipment - Small	10R13CG	1538649	RATCHET SET, 10R13CG, 13' HEAVY DUTY
Propane	Tank Accessories	Cylinder Equipment - Small	10R20CG	1508919	STRAP, 10R20CG, RMI, TANK/CARGO, 20'
Propane	Tank Accessories	Cylinder Equipment - Small	20-2	1515975	WRENCH, 20-2, VALVE
Propane	Tank Accessories	Cylinder Equipment - Small	20-3	1515976	HANDLE, 20-3,
Propane	Tank Accessories	Cylinder Equipment - Small	500BRK	1524989	LOCK, 500BRK, BREAK-AWAY, KEYED ALIKE
Propane	Tank Accessories	Cylinder Equipment - Small	94QC1	1534628	COVER, 94QC1, VALVE, QCC1, 20LB CYLINDER
Propane	Tank Accessories	Cylinder Equipment - Small	CVM-200	1525767	CYLINDER VISE, CVM200, RANSOME
Propane	Tank Accessories	Cylinder Equipment - Small	CVM-BASE	1524625	BASE, CVM-BASE, CYLINDER, VISE
Propane	Tank Accessories	Cylinder Equipment - Small	ME530	1537509	LOCK, ME530, MARSHALL EXCEL, POL
Propane	Tank Accessories	Cylinder Equipment - Small	ME530-03	1537671	KEY, ME530-03, MARSHALL EXCEL, POL LOCK
Propane	Tank Accessories	Cylinder Equipment - Small	MEP120B	1524141	WRENCH, MEP120B, SPANNER, F/2 1/4,
Propane	Tank Accessories	Cylinder Equipment - Small	MEP122	1522101	WRENCH KIT, MEP122, QCC CYL,1-5/16
Propane	Tank Accessories	Cylinder Equipment - Small	PT-3/4	1537573	PLUG, PT-3/4, THREAD, 3/4"
Propane	Tank Accessories	Cylinder Equipment - Small	V50CB12EC	1538051	STRAP, V50CB12EC, INTERNAL VAN, 12'
Propane	Tank Accessories	Cylinder Equipment - Small	V50CB12EC-3	1521908	STRAP, V50CB12EC-3, INTERNAL VAN, 12'L.,
Propane	Tank Accessories	Cylinder Hoods	H-200P	1534660	COVER, H-200P, 2ND STAGE REGULATOR,
Propane	Tank Accessories	Paint	208L-2.5	1547731	ADDITIVE,208L-2.5,PRO 2000V,PROPANE
Propane	Tank Accessories	Paint	855D1373	1547971	PRIMER.855D1373,UNI-POX GRAY
Propane	Tank Accessories	Paint	PRO-CHEM-5	1547972	COATING,PRO-CHEM-5,PROCHEMATIC BLK,5GAL
Propane	Tank Accessories	Rochester Gauges	2700-CV	1534568	DIAL, 2700-CV,SQUIBB-TAYLOR,REPLACEMENT
Propane	Tank Accessories	Rochester Gauges	2700-CV-TOP	1540298	DIAL, 2700-CV-TOP, TAYLOR, UNDERGROUND
Propane	Tank Accessories	Rochester Gauges	2701-CV	1541961	DIAL ASSY, 2701-CV, SQUIBB TAYLOR,130009
Propane	Tank Accessories	Rochester Gauges	2-JR	1534138	DIAL, 2-JR, JUNIOR GAUGE, GLUE IN TYPE
Propane	Tank Accessories	Rochester Gauges	2-SR	1540297	DIAL, 2-SR, TAYLOR, UNIVERSAL, SENIOR
Propane	Tank Accessories	Rochester Gauges	HA160A	1544640	GAUGE, HA160A, SQUIBB TAYLOR, 1 INCH,
Propane	Tank Accessories	Rochester Gauges	HA194A	1547878	FLOAT GAUGE,HA194A,SQUIBBTAYLOR,37"DIAMET
Propane	Tank Accessories	Rochester Gauges	V21130	1544589	VALVE,V21130,OPD,10 LB,STEEL CYL,
Propane	Tools	Gasket Products	ABJ-2	1534492	INJECTOR, ABJ-2, MARSHALL EXCELSIOR,
Propane	Tools	Gasket Products	ABJ-AA	1507677	ADAPTOR, ABJ-AA, METHANOL
Propane	Tools	Gasket Products	ABJ-RK	1512676	KIT, ABJ-RK, REPAIR, FOR ABJ-2 INJECTOR
Propane	Tools	Gasket Products	ER-1	1515876	KIT, ER-1, R.MURRAY, EMERGENCY RESPONSE,
Propane	Tools	Gasket Products	ER116A	1547267	PLUG,ER116A,SMALL WOODEN
Propane	Tools	Gasket Products	ER116B	1547268	PLUG,ER116B, MEDIUM, WOODEN
Propane	Tools	Gasket Products	ER116C	1547269	PLUG,ER116C, LARGE WOODEN
Propane	Tools	Gasket Products	G1939	1545397	KIT,G1939,ORIFICE GAUGING DRILL,#19-39
Propane	Tools	Gasket Products	G4080	1524332	DRILL,G4080, KIT, #40-80,
Propane	Tools	Gasket Products	G-5000	1540055	KIT, G-5000, REAMER, #20 - 90
Propane	Tools	Gasket Products	GK-100	1520308	KIT, GK-100, SERVICEMAN'S, GAS,
Propane	Tools	Gasket Products	GK-135	1534442	KIT, GK-135, GAS KIT CO, MASONARY
Propane	Tools	Gasket Products	GK-FF	1545977	FILE, GK-FF, FLAT,CLEANS STANBY PILOTS,
Propane	Tools	Gasket Products	GK-HF	1546467	FILE, GK-HF, HOOK,CLEANS PILOTS,
Propane	Tools	Gasket Products	GK-LF	1546465	FILE, GK-LF, FLAT,LARGE, CLEAN PILOTS,
Propane	Tools	Gasket Products	GK-SF	1546466	FILE, GK-SF, FLAT,SMALL, CLEANS PILOTS,
Propane	Tools	Gasket Products	GKST-1	1534441	MANOMETER, GKST-1, GAS KIT CO, STANDARD
Propane	Tools	Gasket Products	GKST-2	1528415	MANOMETER, GKST-2, GAS-KIT, WATER, SELF
Propane	Tools	Gasket Products	GKST-5A	1537510	HOSE, GKST-5A, GAS-KIT, FOR MANOMETER
Propane	Tools	Gasket Products	H24-050	1547919	J-CLIP, H24-050, 1/2" PLASTIC, W/NAIL,
Propane	Tools	Gasket Products	INJECT-1	1534694	INJECTOR, INJECT-1, METHANOL, 1 GAL
Propane	Tools	Gasket Products	MI-131	1520028	KIT, MI-131, SERVICEMAN-ORIFICE
Propane	Tools	Gasket Products	PTK-5	1539408	KIT, PTK-5,PRESSURE TEST W/SLB GAUGE
Propane	Tools	Gasket Products	RM-20	1544097	REAMER,RM-20,FIVE CORNER
Propane	Tools	Gasket Products	RM-30	1544098	REAMER,RM-30,FIVE CORNER
Propane	Tools	Gasket Products	RM-90	1538577	REAMER, RM-90, #90 REAMER
Propane	Tools	Gasket Products	RMH-80	1544420	REAMER, RMH-80, #80 PILOT WITH HANDLE
Propane	Tools	Gasket Products	RMH-90	1538578	REAMER, RMH-90, INDIVIDUAL REPLACEMENT
Propane	Tools	Gasket Products	TL-051	1515521	ADAPTOR,TL-051,TEST,SERVICEMANS FRIEND
Propane	Tools	Gloves	23-193	1515744	GLOVE, 23-193, MONKEYGRIP, ORANGE,PR.,
Propane	Tools	Gloves	78-150	1533163	GLOVE, 78-150, WHITE, INSULATOR
Propane	Tools	Gloves	Z1310	1537789	GLOVES, Z1310, LEATHER PALM, WORK



ALL Products by Category



Line of Business	Category	Item Group	RMI Item #	B2B Item #	Description
Propane	Tools	Misc. Equipment	15-007	1525416	GASKET,15-007,FLOAT GAUGE,JUNIOR,RUBBER
Propane	Tools	Misc. Equipment	GB-100	1516076	GAUGE, GB-100, PRESS.,0-100#, POL BRASS
Propane	Tools	Misc. Equipment	GB-30	1503211	GAUGE, GB-30, LIQUID, 0-30#
Propane	Tools	Misc. Equipment	GB-300	1533504	GAUGE, GB-300, PRESSURE GAUGE
Propane	Tools	Misc. Equipment	GB-400	1516077	GAUGE, GB-400, PRESS.,0-400#, POL BRASS
Propane	Tools	Misc. Equipment	GB-60	1516075	GAUGE, GB-60, PRESS.,0-60#, POL BRASS CA
Propane	Tools	Misc. Equipment	GL-30	1538206	GAUGE, GL-30, LIQUID PRESSURE, 30 LB
Propane	Tools	Misc. Equipment	GL-300	1503210	GAUGE, GL-300, LIQUID, 0-300#
Propane	Tools	Misc. Equipment	GLM-400	1507905	GAUGE, GLM-400, 400# LIQUID FILLED
Propane	Tools	Misc. Equipment	GLS-400	1538931	GAUGE, GLS-400, BOTTOM INLET, STAINLESS
Propane	Tools	Misc. Equipment	GS-100	1516073	GAUGE, GS-100, PRESS.,0-100#, DRAWN STEE
Propane	Tools	Misc. Equipment	GS-15	1534304	GAUGE, GS-15, PRESS.,0-15#, DRAWN STEEL
Propane	Tools	Misc. Equipment	GS-160	1538957	GAUGE,GS-160, PRESS.,0-160#, DRAWN STEE
Propane	Tools	Misc. Equipment	GS-30	1516071	GAUGE, GS-30, PRESS.,0-30#, DRAWN STEEL
Propane	Tools	Misc. Equipment	GS-300	1520327	GAUGE, GS-300, 300# PRES., STEEL,
Propane	Tools	Misc. Equipment	GS-35WC	1515711	GAUGE,GS-35WC,MANOMETER
Propane	Tools	Misc. Equipment	GS-5	1538171	GAUGE, GS-5, DIAPHRAM TYPE, 5 PSI
Propane	Tools	Misc. Equipment	HANDI-LITE	1537668	HOLDER, HANDI-LITE, EXTENDABLE
Propane	Tools	Misc. Equipment	MGS-30	1538826	GAUGE, MGS-30, PRESSUE, 1/8", 0-30LBS
Propane	Tools	Misc. Equipment	PI-539	1545217	TOOL, PI-539, PRE-TRIP INSPECTION
Propane	Tools	Misc. Equipment	S502K-C-COLOR	1545124	KEY,S502K-C-COLOR,LOCKAMERICA
Propane	Tools	Misc. Equipment	S533G-LLVC-A0	1540553	CAP, S533G-LLVC-A0, LOCKAMERICA
Propane	Tools	Misc. Equipment	W-2XXX	1537670	O-RING, MSW-2, 1 3/4" ACME
Propane	Tools	Misc. Equipment	W-4XXX	1515756	GASKET, W-4, REPAIR, WASHER 1-1/4 ACME,
Propane	Tools	Misc. Equipment	W-6XXX	1515638	WASHER, MSW6, FLAT,FILLER VALVE, 3 1/4"
Propane	Tools	Misc. Equipment	Z6-413	1544276	EXTENDER,Z6413, MATCH
Propane	Tools	Sealants	11175	1538574	SEALER, 11175, LA-CO, PIPETITE STICK
Propane	Tools	Sealants	PB04	1540254	SEALER, PB-04, JOHN CRANE, W/O LEAD 1/4
Propane	Tools	Sealants	PB16	1507920	SEALER, PB-16, JOHN CRANE, 1 PT
Propane	Tools	Sealants	S504	1525046	SEALANT, SS04, GASOLIA, SOFT SET 1/4 PT
Propane	Tools	Sealants	S508	1518782	SEAL, SS-08, GASOLIA, 1/2 PT SOFT SET
Propane	Tools	Sealants	SS16	1523595	SEALER, SS16, GASOLIA, TEFLON, 1 PINT,
Propane	Tools	Sealants	TT33	1533496	TAPE, TT33, TEFLON
Propane	Tools	Sealants	TT41	1543641	TAPE,TT41,TEFLON,1/2" X 520"HIGH DENSITY
Propane	Tools	Service Tools	102-E	1547187	TUBE BENDER, 102-E, IMPERIAL EASTMAN,3/8
Propane	Tools	Service Tools	102-F	1547188	TUBE BENDER, 102-F, IMPERIAL EASTMAN,1/2
Propane	Tools	Service Tools	102-I	1547189	TUBE BENDER, 102-I, IMPERIAL EASTMAN,5/8
Propane	Tools	Service Tools	127-FB	1536927	CUTTER, 127-FB, IMPERIAL EASTMAN,TUBE
Propane	Tools	Service Tools	274-FC	1536928	CUTTER, 274-FC, IMPERIAL EASTMAN,TUBE
Propane	Tools	Service Tools	364-FHA-08	1512230	BENDER, 364-FHA-08, LINCOLN CONT.,1/2"OD
Propane	Tools	Service Tools	364-FHA-10	1534162	BENDER, 364-FHA-10, LINCOLN CONT.,5/8"
Propane	Tools	Service Tools	420XXX	1547186	FLARING TOO,420,ROTHENBERGER,
Propane	Tools	Service Tools	512XXX	1512483	CUTTER, 512, PACPO
Propane	Tools	Service Tools	945TH	1515500	TOOL, 945TH, PARKER HANNIFIN,ROLO FLARE,
Propane	Tools	Service Tools	CP-711	1539332	KIT, CP-711, E-Z STAMP, /0-9 & " E " GUN
Propane	Tools	Service Tools	CP-711-14	1544754	SET,CP-711-14,STAMP,FOR CP-711 0-9/E
Propane	Tools	Service Tools	CP-A/Z	1544755	SET,CP-A/Z,E-Z STAMP SET, LETTERS A-Z
Propane	Tools	Service Tools	GK-382	1537667	WRENCH, GK-382, THERMOCOUPLE,
Propane	Tools	Service Tools	P-054177	1547435	STYLUS,P-054177,CARBIDE TIPPED,CHICAGO P
Propane	Tools	Service Tools	SK-09E/316	1545014	STAMP,SK-09E/316, 3/16" DIES, 0-9 AND E
Propane	Tools	Testing Equipment	2025-A432	1548102	MAGNEHELIC GAUGE KIT,2025-A432, 0-25"WC
Propane	Tools	Testing Equipment	883-00021	1542140	PROBE, 883-00021, SENSIT, BAR HOLE HD,
Propane	Tools	Testing Equipment	96-INMAN	1544269	MANOMETER,96-INMAN,INCLINE
Propane	Tools	Testing Equipment	A-120	1542920	OIL, A-120, DWYER,VIOLET, GAGE
Propane	Tools	Testing Equipment	AJN02035	1542470	PLUNGER BAR, AJN02035, 42 INCH, FOR UG
Propane	Tools	Testing Equipment	GASKIT-LT	1537505	DETECTOR, GASKIT-LT, LEAK,
Propane	Tools	Testing Equipment	GASKIT-XL	1534566	DETECTOR, GASKIT-XL, LEAK, EXTRA LOW T
Propane	Tools	Testing Equipment	HS80501	1512674	DETECTOR, HS80501, HOME SAFETY, LEAK LP
Propane	Tools	Testing Equipment	JCP100	1540162	KIT, JPC 100, CP TEST
Propane	Tools	Testing Equipment	LD-BOTTLE	1512073	BOTTLE, LD-BOTTLE, LEAK, EMPTY PINT DI
Propane	Tools	Testing Equipment	LD-SPRAY	1516032	SPRAY BOTTLE,LD-SPRAY,PINT,LEAK DETECTOR
Propane	Tools	Testing Equipment	ME-SLT	1537561	LEAK TESTER, ME-SLT, SYSTEM
Propane	Tools	Testing Equipment	TK-35WC	1537727	KIT, TK-35WC, WC TEST,
Propane	Tools	Testing Equipment	VA1-VALVE	1542999	VALVE, VA1-VALVE,PRESSURE,1/8 MNPT
Propane	Tools	Testing Equipment	VB1-VALVE	1540642	VALVE, VB-1, PRESSURE
Propane	Tools	Testing Equipment	WP120	1544134	BOTTLE,WP120,8 OZ, LEAD DETECTOR
Propane	Tools	Torches	FV-11TP	1526708	BURNER, FV-11TP, RED DRAGON, 300,000

Line of Business	Category	Item Group	RMI Item #	B2B Item #	Description
Propane	Valves	Cavagna OPD Valves	80-8107	1512209	VALVE, 80-8107, CAVAGNA, 20LB OPD
Propane	Valves	Grand Hall Valves	PV30SOPD	1544586	VALVE, OPD30, GRAND HALL, 4.7 INCH DIP
Propane	Valves	MEC Valves	ME220F	1534280	CONNECTOR, ME220F, MARSHAL EXCEL,
Propane	Valves	MEC Valves	ME220ML	1547123	CONNECTOR,ME220ML,MEC,1-1/4"LH.M.ACME X
Propane	Valves	MEC Valves	ME449-05	1545733	HANDWHEEL, ME449-05, MARSH EXCEL, FOR
Propane	Valves	MEC Valves	ME453	1539936	ADAPTER, ME453, MARSHALL EXCEL, FEMALE
Propane	Valves	MEC Valves	ME458	1539270	ADAPTOR, ME458, MARSHALL EXCEL,
Propane	Valves	MEC Valves	ME568	1540043	ADAPTOR, ME568,MARSH EXCEL,1 3/4"ACME BY
Propane	Valves	MEC Valves	ME601-10	1542846	VALVE,ME601-10,MEC,1-3/4 INCH FILLER VAL
Propane	Valves	MEC Valves	ME601-6	1540813	VALVE, ME601-6, MEC,1-3/4" M ACME X 3/4"
Propane	Valves	MEC Valves	ME601-902	1542430	CAP, ME601-902, MARSH EXCEL,REPLACEMENT,
Propane	Valves	MEC Valves	ME663	1545735	VALVE, ME663, MARSH EXCEL, VAPOR RETURN
Propane	Valves	MEC Valves	ME791C	1538839	VALVE, ME791C, MARSHALL EXCEL, HOSE,
Propane	Valves	MEC Valves	ME791D	1538832	VALVE, ME791D, MARSHALL EXCEL, HOSE,
Propane	Valves	MEC Valves	ME792C	1538524	VALVE, ME792C, MARSH EXCEL, TOGGLE
Propane	Valves	MEC Valves	ME792D	1538910	VALVE, ME792D, MARSH EXCEL, 1/2" X 1/2"
Propane	Valves	MEC Valves	ME9101C1	1542701	VALVE, ME9101C1, MARSH EXCEL, SERVICE,
Propane	Valves	MEC Valves	ME9101H4	1543098	VALVE, ME9101H4, MARSH EXCEL, MOTOR FUEL
Propane	Valves	MEC Valves	ME9101H6	1545736	VALVE, ME9101H6, MARSH EXCEL, MOTOR FUEL
Propane	Valves	MEC Valves	ME9101P5	1545341	VALVE, ME9101P5, MARSHALL EXCELSIOR,
Propane	Valves	MEC Valves	ME9101P5-109	1545302	SCREW,ME9101P5-109,MARSH EXCEL,REPLACE
Propane	Valves	MEC Valves	ME9101P5H	1541269	VALVE, ME9101P5H, MARSHALL EXCELSIOR,
Propane	Valves	MEC Valves	MEJ401	1540616	VENT VALVE, MEJ401,MEC,BLEEDER SCREW
Propane	Valves	MEC Valves	MEJ410-120	1540357	GAUGE, MEJ410-120, MARSHALL EXCEL,
Propane	Valves	MEC Valves	MEJ410-5.7	1545737	GAUGE, MEJ410-5.7, MARSH EXCEL, FIXED
Propane	Valves	MEC Valves	MEJ602H	1548249	ELBOW,MEJ602H,MEC,1/4" W/ RELIEF & BLEED
Propane	Valves	MEC Valves	MEP126	1542885	WRENCH,MEP126,MEC,VALVE TANK REMOVAL
Propane	Valves	MEC Valves	MEP175-45	1545738	ADAPTER, MEP175-45, MARSH EXCEL,45 ANGLE
Propane	Valves	MEC Valves	MEP175-90	1545740	ADAPTER, MEP175-90, MARSH EXCEL,90 ANGLE
Propane	Valves	MEC Valves	MEP175C	1540044	CAP, MEP175C, MARSH EXCEL, RAIN
Propane	Valves	MEC Valves	MEP175P	1544947	CAP, MEP175P, MARSH EXCEL, RELIEF VALVE
Propane	Valves	MEC Valves	MES-3250-8LH-KIT	1546116	KIT,MES-3250-8LH-KIT,MEC,BONNET,
Propane	Valves	MEC Valves	MES-3329-13LH-KIT	1545857	KIT,MES-3329-13LH,MEC,BONNET
Propane	Valves	MEC Valves	MES-PVE2030BC-11.6	1546028	VALVE, MES-PVE2030BC-11.6, MARSH EXCEL,
Propane	Valves	MEC Valves	MES-PVE3250CLM-11.6	1548882	VALVE,MES-PVE3250CLM-11.6,MEC,LIQUID
Propane	Valves	MEC Valves	MEV75FIR	1539950	VALVE, MEV75FIR, MARSH EXCEL,
Propane	Valves	MEC Valves	MEVS-UVE453AM/250	1546005	VALVE,MEVS-UVE-453AM-250,MEC,RELEIF
Propane	Vaporizers	Vaporizer Parts, Algas	34800	1541121	REGULATOR, 34800, ALGAS,
Propane	Vaporizers	Vaporizer Parts, Algas	37503	1543225	KIT, 37503, SAM DICK, RELIGHT
Propane	Vaporizers	Vaporizer Parts, Algas	40542	1544254	ASSEMBLY,40542,LP BURNER REGULATOR SUPPL
Propane	Vaporizers	Vaporizer Parts, Algas	41082	1547270	THERMOSTAT,41082,ALGAS,
Propane	Vaporizers	Vaporizer Parts, Algas	42013	1544070	TUBE,42013,ALGAS,CAPACITY CONTROL
Propane	Vaporizers	Vaporizer Parts, Algas	3-0014	1534579	KIT, 3-0014, ALGAS, THERMO, PILOT ORIFIC
Propane	Vaporizers	Vaporizer Parts, Algas	37140-6	1547556	KIT,37140-6,ALGAS,RE-IGNITER,9VDC W/CON
Propane	Vaporizers	Vaporizer Parts, Algas	40764-12	1547554	KIT, 40764-12, ALGAS, INLET VALVE REPAIR
Propane	Vaporizers	Vaporizer Parts, Algas	40766-12	1547555	KIT, 40766-12, ALGAS, REPAIR, 80/40H,
Propane	Vaporizers	Vaporizer Parts, Algas	40768-6	1548250	PILOT,40768-6,ALGAS,PILOT ASSEMBLY KIT
Propane	Vaporizers	Vaporizer Parts, Algas	41073-6	1547716	THERMOSTAT,41073-6,SAM DICK,W/RELIGHTER
Propane	Vaporizers	Vaporizer Parts, Ransome	JC-KIT	1521648	PILOT, JC-KIT, ASSYEMBLY
Propane	Vaporizers	Vaporizer Parts, Ransome	KF-120F	1538575	THERMOSTAT, KF-120F, RANSOME
Propane	Vaporizers	Vaporizer Parts, Ransome	XE0120	1522004	RELIGHTER, XE0120, ELECTRIC PILOT,
Propane	Vaporizers	Vaporizer Parts, Sam Dick	40287	1546285	SOLENOID,40287,SAM DICK,REPAIR KIT
Propane	Vaporizers	Vaporizer Parts, Sam Dick	41011-SDI	1543008	KIT,41011-SDI,ALGAS,RELIGHT
Propane	Vaporizers	Vaporizer Separators	BMF-FST124NS	1548457	FILTER,BMF-FST124NS,BLUE MOON,2", HI
Propane	Vaporizers	Vaporizers Algas	80885	1534600	KIT, 80885, ZIMMER, MOUNTING, VAPORIZER
Propane	Vaporizers	Vaporizers Algas	80887	1535182	KIT, 80887, TANK MOUNTING

Line of Business	Category	Item Group	RMI Item #	B2B Item #	Description
Heating & Hearth	Empire Hearth	Empire Hearth Accessories	23702	1542646	KIT,23702,EMPIRE, CONVERSION
Heating & Hearth	Empire Hearth	Empire Hearth Accessories	CIB3	1538280	BLOWER, CIB-3, EMPIRE, FOR CAST IRON STO
Heating & Hearth	Empire Hearth	Empire Hearth Accessories	CIB4	1545265	BLOWER, CIB-4,EMPIRE, FOR CAST IRON STO
Heating & Hearth	Empire Hearth	Empire Hearth Accessories	CIFPB-1C	1510793	KIT, CIFPB-1C, EMPIRE, FLOOR PAD
Heating & Hearth	Empire Hearth	Empire Hearth Accessories	CIFS-12AC	1541059	KIT, CIFS-12AC, EMPIRE,MARBLE INLAY,
Heating & Hearth	Empire Hearth	Empire Hearth Accessories	CSKB	1540223	KIT, CSK-B, EMPIRE, SHELf, L&R, PORC BK
Heating & Hearth	Empire Hearth	Empire Hearth Accessories	CSKF	1539769	KIT, CSK-F, EMPIRE, MATTE BLACK, CAST IR
Heating & Hearth	Empire Hearth	Empire Hearth Accessories	DCG24BL	1541084	GRATE,DCG-24BL,EMPIRE,DECORATIVE CAST
Heating & Hearth	Empire Hearth	Empire Hearth Accessories	DF481VBL	1548621	KIT,DF481VBL,EMPIRE,TRIM BEVEL 3/4 BK
Heating & Hearth	Empire Hearth	Empire Hearth Accessories	DG1BKP	1547007	DECORATIVE GLASS,DG-1-BKP,EMPIRE,BLACK
Heating & Hearth	Empire Hearth	Empire Hearth Accessories	DG1BZR	1547002	DECORATIVE GLASS,DG-1-BZR,EMPIRE,BRONZE
Heating & Hearth	Empire Hearth	Empire Hearth Accessories	DG1CLF	1545883	GLASS,DG1CLF,EMPIRE,12" CLEAR FROST
Heating & Hearth	Empire Hearth	Empire Hearth Accessories	DS2663BL	1547640	SURROUND, DS2663BL, EMPIRE, BLACK METAL
Heating & Hearth	Empire Hearth	Empire Hearth Accessories	DS2666BL	1546713	SURROUND, DS2666BL, EMPIRE, INSERT
Heating & Hearth	Empire Hearth	Empire Hearth Accessories	DS2696BL	1549143	SURROUND,DS2696BL,EMPIRE,BLACK
Heating & Hearth	Empire Hearth	Empire Hearth Accessories	DS28433BL	1549119	SURROUND,DS28433BL,EMPIRE,BLACK
Heating & Hearth	Empire Hearth	Empire Hearth Accessories	DVEK10	1548453	KIT, DVEK-10, EMPIRE,FLEX VENT EXTENTION
Heating & Hearth	Empire Hearth	Empire Hearth Accessories	DVF1BL	1545432	FRAME,DVF-1-BL,EMPIRE,32" LOUVERED
Heating & Hearth	Empire Hearth	Empire Hearth Accessories	DVF1HP	1539660	FRAME, DVF1HP, EMPIRE, PEWTER
Heating & Hearth	Empire Hearth	Empire Hearth Accessories	DVF36BL	1540237	FRAME, DVF-36-BL, EMPIRE, BLACK
Heating & Hearth	Empire Hearth	Empire Hearth Accessories	DVFB32SBL	1546509	SCREEN,DVFB-32-SBL,EMPIRE,BARRIER
Heating & Hearth	Empire Hearth	Empire Hearth Accessories	DVFB36TBL	1547260	BARRIER,DVFB-36-TBL,EMPIRE,MATTE BLACK
Heating & Hearth	Empire Hearth	Empire Hearth Accessories	DVFG36TBL	1549333	BARRIER SCREEN,DVFG36TBL,EMPIRE,36IN,
Heating & Hearth	Empire Hearth	Empire Hearth Accessories	DVG1ABL	1533254	LOUVER, DVG1ABL, EMPIRE, ARCH, BLACK
Heating & Hearth	Empire Hearth	Empire Hearth Accessories	DVG1MBL	1540094	LOUVER, DVG-1MBL, EMPIRE,
Heating & Hearth	Empire Hearth	Empire Hearth Accessories	DVG1MHP	1539661	LOUVER, DVG-1-MHP, EMPIRE, MISSION
Heating & Hearth	Empire Hearth	Empire Hearth Accessories	DVG-4-ABL	1534037	LOUVER, DVG-4-ABL, EMPIRE, BLACK ARCH
Heating & Hearth	Empire Hearth	Empire Hearth Accessories	DVK35	1540828	KIT, DVK-35, EMPIRE, VENT
Heating & Hearth	Empire Hearth	Empire Hearth Accessories	DVKHP45	1545109	KIT, DVKHP-45, EMPIRE, HORIZONTAL DIRECT
Heating & Hearth	Empire Hearth	Empire Hearth Accessories	DVKI2P	1540280	KIT, DVKI-2P, EMPIRE, VERTICAL VENT
Heating & Hearth	Empire Hearth	Empire Hearth Accessories	DVP1SH	1546510	LINER,DVP-1-SH,EMPIRE,HERRINGBONE BRICK
Heating & Hearth	Empire Hearth	Empire Hearth Accessories	DVP26AE	1547641	LINER,DVP26AE,EMPIRE,BANDED BRICK, CERAM
Heating & Hearth	Empire Hearth	Empire Hearth Accessories	DVP26BW	1549125	LINER,DVP26BW,EMPIRE,WASHED BRICK
Heating & Hearth	Empire Hearth	Empire Hearth Accessories	DVP26DF	1549144	LINER, DVP26DF,EMPIRE,TRADITIONAL
Heating & Hearth	Empire Hearth	Empire Hearth Accessories	DVP2SA	1534029	LINER, DVP2SA, EMPIRE, AGED BRICK
Heating & Hearth	Empire Hearth	Empire Hearth Accessories	DVP36D2H	1542851	LINER, DVP-36-D2H, EMPIRE ,STACKED,BRICK
Heating & Hearth	Empire Hearth	Empire Hearth Accessories	DVP36DG	1540265	LINER,DVP-36-DG, EMPIRE,STACKED LIMESTON
Heating & Hearth	Empire Hearth	Empire Hearth Accessories	DVP36XE	1542647	LINER,DVP36XE,EMPIRE,BANDED BRICK
Heating & Hearth	Empire Hearth	Empire Hearth Accessories	DVP3DA	1534137	LINER, DVP3DA, EMPIRE, AGED BRICK
Heating & Hearth	Empire Hearth	Empire Hearth Accessories	DVP3SA	1542744	FACING, DVP-3-SA, EMPIRE, BRICK
Heating & Hearth	Empire Hearth	Empire Hearth Accessories	DVVK4F	1542648	KIT, DVVK-4F, EMPIRE, DIRECT VENT
Heating & Hearth	Empire Hearth	Empire Hearth Accessories	DVVK4FRE	1543848	KIT,DVVK-4FRE, EMPIRE,HORIZONTAL, FLEX
Heating & Hearth	Empire Hearth	Empire Hearth Accessories	DVVK4FREVS	1543849	KIT,DVVK-4FREVS,EMPIRE,HORIZONTAL,VINYL
Heating & Hearth	Empire Hearth	Empire Hearth Accessories	DVVK4FV	1548452	KIT, DVVK-4FV,EMPIRE, DIRECT VENT,VERITI
Heating & Hearth	Empire Hearth	Empire Hearth Accessories	DVVK4RP	1533160	KIT, DVVK-4RP, EMPIRE, DIRECT VENT FIRE
Heating & Hearth	Empire Hearth	Empire Hearth Accessories	DVVK4TP	1549341	KIT,DVVK4TP,EMPIRE, TOP VENT KIT FOR TAHO
Heating & Hearth	Empire Hearth	Empire Hearth Accessories	EK1	1510798	KIT, EK-1, EMPIRE, EMBERS
Heating & Hearth	Empire Hearth	Empire Hearth Accessories	EK2	1540236	KIT, EK-2, EMPIRE, EMBERS,
Heating & Hearth	Empire Hearth	Empire Hearth Accessories	ELH1	1509311	HOOD, ELH-1, EMPIRE, FIREPLACE, BLACK, F
Heating & Hearth	Empire Hearth	Empire Hearth Accessories	EMBC1SC	1219226	MANTEL, EMBC-1S-C, EMPIRE CHERRY
Heating & Hearth	Empire Hearth	Empire Hearth Accessories	EMBC1SDO	1219323	MANTEL, EMBC-1S-DO, EMPIRE DARK OAK
Heating & Hearth	Empire Hearth	Empire Hearth Accessories	EMBC1SW	1221528	CABINET,EMBC-1S-W,EMPIRE,WHITE W/BASE
Heating & Hearth	Empire Hearth	Empire Hearth Accessories	EMBC3SC	1221205	MANTLE, EMBC-3S-C,EMPIRE, TAHOE, CHERRY,
Heating & Hearth	Empire Hearth	Empire Hearth Accessories	EMBC-3S-O	1221232	MANTEL,EMBC-3S-O ,EMPIRE,OAK,
Heating & Hearth	Empire Hearth	Empire Hearth Accessories	EMBC-4S-C	1221181	MANTLE, EMBC-4S-C,EMPIRE,CHERRY
Heating & Hearth	Empire Hearth	Empire Hearth Accessories	EMBC-4S-O	1221286	MANTLE, EMBC-4S-O,EMPIRE,OAK
Heating & Hearth	Empire Hearth	Empire Hearth Accessories	EMBF11SDO	1221717	CABINET,EMBF-11S-DO,EMPIRE,DARK OAK
Heating & Hearth	Empire Hearth	Empire Hearth Accessories	EMBF-11S-O	1220812	MANTLE, EMBF-11S-O, EMPIRE
Heating & Hearth	Empire Hearth	Empire Hearth Accessories	EMBF1SC	1219318	MANTEL, EMBF-1S-C, EMPIRE, CHERRY
Heating & Hearth	Empire Hearth	Empire Hearth Accessories	EMBF1SDO	1219685	MANTEL EMBF-1S-DO,EMPIRE,DARK OAK,32IN
Heating & Hearth	Empire Hearth	Empire Hearth Accessories	EMBF1SO	1219157	MANTEL, EMBF-1S-O, EMPIRE, OAK
Heating & Hearth	Empire Hearth	Empire Hearth Accessories	EMBF1SW	1219534	MANTEL EMBF-1S-W, EMPIRE, WHITE, STANDAR
Heating & Hearth	Empire Hearth	Empire Hearth Accessories	EMBF3SC	1221458	MANTLE,EMBF-3S-C, EMPIRE,TAHOE,36"CHERRY
Heating & Hearth	Empire Hearth	Empire Hearth Accessories	EMBF3SW	1220263	MANTEL,EMBF-3S-W,EMPIRE,WHITE,
Heating & Hearth	Empire Hearth	Empire Hearth Accessories	EMBF-4S-O	1221441	MANTEL,EMBF-4S-O,EMPIRE,OAK,
Heating & Hearth	Empire Hearth	Empire Hearth Accessories	EMC22C	1213208	MANTEL, EMC-22C, EMPIRE,W/BASE,CHERRY
Heating & Hearth	Empire Hearth	Empire Hearth Accessories	EMC22DO	1215374	MANTEL, EMC-22DO, EMPIRE, W/BASE
Heating & Hearth	Empire Hearth	Empire Hearth Accessories	EMC22O	1213209	MANTEL, EMC-22O, EMPIRE,W/BASE,OAK
Heating & Hearth	Empire Hearth	Empire Hearth Accessories	EMC-22UH	1213211	MANTEL, EMC-22UH,EMPIRE,W/BASE,UNFINISH
Heating & Hearth	Empire Hearth	Empire Hearth Accessories	EMC22W	1213210	MANTEL, EMC-22W, EMPIRE, W/BASE, WHITE
Heating & Hearth	Empire Hearth	Empire Hearth Accessories	EMF22C	1213203	MANTEL, EMF-22C, EMPIRE,W/BASE,CHERRY
Heating & Hearth	Empire Hearth	Empire Hearth Accessories	EMF22DO	1215446	MANTLE, EMF-22DO, EMPIRE, DARK OAK
Heating & Hearth	Empire Hearth	Empire Hearth Accessories	EMF22O	1213204	MANTEL, EMF-22O, EMPIRE, W/BASE,OAK
Heating & Hearth	Empire Hearth	Empire Hearth Accessories	EMF22W	1213205	MANTEL, EMF-22W, EMPIRE, W/BASE,WHITE
Heating & Hearth	Empire Hearth	Empire Hearth Accessories	EMPB-C	1219902	BASE, EMPB-C, EMPIRE, CHERRY
Heating & Hearth	Empire Hearth	Empire Hearth Accessories	EMPIRELOGDISPLAY	1221209	DISPLAY,EMPIRE-LOG-DISPLAY,EMPIRE
Heating & Hearth	Empire Hearth	Empire Hearth Accessories	EMPT-C	1219901	MANTEL, EMPT-C, EMPIRE, CHERRY,
Heating & Hearth	Empire Hearth	Empire Hearth Accessories	FBB4	1533252	BLOWER, FBB4, EMPIRE, AUTOMATIC
Heating & Hearth	Empire Hearth	Empire Hearth Accessories	FBB5	1534244	BLOWER, FBB5, EMPIRE, AUTOMATIC

Line of Business	Category	Item Group	RMI Item #	B2B Item #	Description
Heating & Hearth	Empire Hearth	Empire Hearth Accessories	FBB6	1539708	BLOWER, FBB6, EMPIRE, AUTOMATIC
Heating & Hearth	Empire Hearth	Empire Hearth Accessories	FBB7	1547000	BLOWER,FBB-7,EMPIRE,VARIABLE SPEED
Heating & Hearth	Empire Hearth	Empire Hearth Accessories	FBBX	1540022	HARNES, FBBX, EMPIRE,BLOWER WIRE EXT
Heating & Hearth	Empire Hearth	Empire Hearth Accessories	FBG36ABL	1534036	LOUVER, FBG-36-ABL, EMPIRE, ARCH BLACK
Heating & Hearth	Empire Hearth	Empire Hearth Accessories	FPP26E	1540021	LINER, FPP26E, EMPIRE, BRANDED BRICK
Heating & Hearth	Empire Hearth	Empire Hearth Accessories	FRBC1	1509669	CONTROL, FRBC-1,EMPIRE,BATTERY OPERATE
Heating & Hearth	Empire Hearth	Empire Hearth Accessories	FRBTC2	1549102	CONTROL,FRBTC2,EMPIRE,BATTERY W/THER
Heating & Hearth	Empire Hearth	Empire Hearth Accessories	FRBTPS	1544351	REMOTE,FRBTP,EMPIRE,PROGRAMMABLE,
Heating & Hearth	Empire Hearth	Empire Hearth Accessories	FREC1	1509671	REMOTE, FREC-1, EMPIRE, ELECTRIC
Heating & Hearth	Empire Hearth	Empire Hearth Accessories	FWS1	1509668	SWITCH, FWS-1, EMPIRE, WALL
Heating & Hearth	Empire Hearth	Empire Hearth Accessories	LK2	1545402	KIT,LK-2,EMPIRE,LIGHTING WITH DIMMER
Heating & Hearth	Empire Hearth	Empire Hearth Accessories	LK3	1545423	DIMMER,LK-3,EMPIRE,LIGHT BRECK VF
Heating & Hearth	Empire Hearth	Empire Hearth Accessories	LK5	1548619	KIT,LK5,EMPIRE,120 VOLT LIGHTING,RSTAT
Heating & Hearth	Empire Hearth	Empire Hearth Accessories	MFL52-PG	1219832	MANTEL, MFL-52-PG, EMPIRE, 52" PROFILE,
Heating & Hearth	Empire Hearth	Empire Hearth Accessories	PE20	1540238	EMBERS, PE-20, EMPIRE, PLATINUM
Heating & Hearth	Empire Hearth	Empire Hearth Accessories	RVKP	1546996	REMOTE,RVKP,EMPIRE,VARIABLE FLAME
Heating & Hearth	Empire Hearth	Empire Hearth Accessories	SC336BL	1540292	SURROUND, SC33-6-BL, EMPIRE, CAST IRON
Heating & Hearth	Empire Hearth	Empire Hearth Accessories	SC356BL	1540098	SURROUND, SC35-6-BL, EMPIRE, CAST IRON
Heating & Hearth	Empire Hearth	Empire Hearth Accessories	SCV1	1534245	CONTROL, SCV-1, EMPIRE, VARIABLE SPEED
Heating & Hearth	Empire Hearth	Empire Hearth Accessories	SH1BL	1544238	SHROUD,SH1BL,EMPIRE,INNSBROOK
Heating & Hearth	Empire Hearth	Empire Hearth Accessories	TMV	1527660	THERMOSTAT, TMV, EMPIRE, WALL
Heating & Hearth	Empire Hearth	Empire Hearth Accessories	TRW	1533095	THERMOSTAT, TRW, EMPIRE, WIRELESS REMOTE
Heating & Hearth	Empire Hearth	Empire Hearth Accessories	VBF36TBL	1545420	FRAME,VBF-36-TBL,EMPIRE,OUTER
Heating & Hearth	Empire Hearth	Empire Hearth Accessories	VBP32SA	1538184	LINER, VBP-32-SA, EMPIRE, BRICK AGED
Heating & Hearth	Empire Hearth	Empire Hearth Accessories	VBP36D2A	1545436	LINER,VBP36D2A,EMPIRE,36"AGED BRICK PREM
Heating & Hearth	Empire Hearth	Empire Hearth Accessories	VBP36SA	1540791	LINER, VBP-36-SA, EMPIRE,
Heating & Hearth	Empire Hearth	Empire Hearth Accessories	VBP36T2H	1547474	LINER,VBP36T2H,EMPIRE,HERRINGBONE BRICK,
Heating & Hearth	Empire Hearth	Empire Hearth Accessories	VBP42SA	1545117	LINER, VBP-42-SA, EMPIRE, AGED BRICK
Heating & Hearth	Empire Hearth	Empire Hearth Accessories	VBP42T2G	1546882	LINER,VBP-42-T2G, EMPIRE,LIMESTONE,
Heating & Hearth	Empire Hearth	Empire Hearth Accessories	VBP48LSS	1548622	LINER,VBP48LSS,EMPIRE,STAINLESS STL,LB48
Heating & Hearth	Empire Hearth	Empire Hearth Accessories	VBR42-GCBL	1539913	DOORS, VBR-42-GCBL, EMPIRE, DECORATIVE
Heating & Hearth	Empire Hearth	Empire Hearth Accessories	VBS32SBL	1542719	FRAME, VBS-32SBL, EMPIRE
Heating & Hearth	Empire Hearth	Empire Hearth Accessories	VBS36SBL	1541471	FRAME,VBS-36-SBL,EMPIRE,BLACK
Heating & Hearth	Empire Hearth	Empire Hearth Accessories	VBS42SBL	1545627	FRAME,VBS-42-SBL,EMPIRE,BRECKENRIDGE,VF
Heating & Hearth	Empire Hearth	Empire Hearth Accessories	VBY36TBL	1545419	DOOR,VBY-36-TBL,EMPIRE,DECORATIVE
Heating & Hearth	Empire Hearth	Empire Hearth Accessories	VBY42-GBL	1539914	FRAME, VBY-42-GBL, EMPIRE, BLACK
Heating & Hearth	Empire Hearth	Empire Hearth Accessories	VVF24HP	1548443	FRAME,VVF-24-HP,EMPIRE,24",HAMMER PWTR
Heating & Hearth	Empire Hearth	Empire Hearth Accessories	VFR32SMBL	1540095	DOOR, VFR-32-SMBL, EMPIRE, MISSION ARCH
Heating & Hearth	Empire Hearth	Empire Hearth Accessories	VFR36SMBL	1219355	DOOR, VFR-36-SMBL, EMPIRE, MISSION ARCH,
Heating & Hearth	Empire Hearth	Empire Hearth Accessories	VFY32SBL	1535869	FRAME, VFY-32-SBL, EMPIRE, BLACK
Heating & Hearth	Empire Hearth	Empire Hearth Accessories	VPP1A22	1525392	LINER, VPP1A-22, EMPIRE, AGED BRICK
Heating & Hearth	Empire Hearth	Empire Hearth Accessories	VPP32A	1537356	LINER, VPP32A, EMPIRE, AGE BRICK

Line of Business	Category	Item Group	RMI Item #	B2B Item #	Description
Heating & Hearth	Empire Hearth	Empire Hearth Products	DVC26IN31P	1221557	INSERT, DVC26IN31P, EMPIRE, INNSBROOK
Heating & Hearth	Empire Hearth	Empire Hearth Products	DVD32FP30P	1221527	FIREPLACE, DVD-32-FP30P, EMPIRE, 32"DELUXE
Heating & Hearth	Empire Hearth	Empire Hearth Products	DVD-32-FP31P	1218224	FIREPLACE, DVD32FP31, TAHOE DELUXE
Heating & Hearth	Empire Hearth	Empire Hearth Products	DVD36FP30P	1218281	FIREPLACE, DVD36FP30, EMPIRE, TAHOE,
Heating & Hearth	Empire Hearth	Empire Hearth Products	DVD-36-FP31P	1218234	FIREPLACE, DVD36FP31 EMPIRE, TAHOE,
Heating & Hearth	Empire Hearth	Empire Hearth Products	DVD42FP30P	1221180	FIREPLACE, DVD-42-FP30P, EMPIRE, TAHOE
Heating & Hearth	Empire Hearth	Empire Hearth Products	DVP30CC30BP	1220573	STOVE, DVP30-CC30BP, EMPIRE, LP, HERITAGE
Heating & Hearth	Empire Hearth	Empire Hearth Products	DVP30CC30FP	1220301	STOVE, DVP-30-CC30F, EMPIRE, HERITAGE, LP
Heating & Hearth	Empire Hearth	Empire Hearth Products	DVP30CC30MP	1220711	STOVE, DVP30-CC30MP, EMPIRE, LP, HERITAGE
Heating & Hearth	Empire Hearth	Empire Hearth Products	DVP36FP30P	1221204	FIREPLACE, DVP-36-FP30P, EMPIRE, LP
Heating & Hearth	Empire Hearth	Empire Hearth Products	DVP42FP30P	1218935	FIREPLACE, DVP42FP30, EMPIRE, TAHOE
Heating & Hearth	Empire Hearth	Empire Hearth Products	DVP-48-FP31P	1216700	FIREPLACE, DVP48FP31, EMPIRE, TAHOE,
Heating & Hearth	Empire Hearth	Empire Hearth Products	DXV36FP31LN	1221007	FIREPLACE, DXV-36-FP31LN-NG, EMPIRE, TAHOE
Heating & Hearth	Empire Hearth	Empire Hearth Products	DXV36FP31LP	1221898	FIREPLACE, DXV36FP31LP, EMPIRE, 36IN, LP
Heating & Hearth	Empire Hearth	Empire Hearth Products	LS16C	1214655	LOG, LS-16C, EMPIRE, CHARRED OAK
Heating & Hearth	Empire Hearth	Empire Hearth Products	LS18B2	1219518	LOG, LS18B2, EMPIRE, BIRCH, 18IN
Heating & Hearth	Empire Hearth	Empire Hearth Products	LS18C2	1218996	LOG, LS-18C2, EMPIRE, CHARRED OAK
Heating & Hearth	Empire Hearth	Empire Hearth Products	LS18C2S	1219666	LOG, LS18C2S, EMPIRE, SUPER CHARRED OAK
Heating & Hearth	Empire Hearth	Empire Hearth Products	LS18CD	1221746	LOGS, LS18CD, EMPIRE, 18IN, DRIFTWOOD,
Heating & Hearth	Empire Hearth	Empire Hearth Products	LS18P	1219072	LOG, LS-18P, EMPIRE, PONDEROSA,
Heating & Hearth	Empire Hearth	Empire Hearth Products	LS18RS	1214656	LOG, LS-18RS, EMPIRE, SASSAFRA
Heating & Hearth	Empire Hearth	Empire Hearth Products	LS18RSS	1219777	LOG, LS-18RSS, EMPIRE, SUPER SASSAFRASS
Heating & Hearth	Empire Hearth	Empire Hearth Products	LS18SRAO	1220236	LOG, LS-18SRAO, EMPIRE, AGED OAK 7 PC
Heating & Hearth	Empire Hearth	Empire Hearth Products	LS18WRS	1221737	LOGS, LS18WRS, EMPIRE, 18IN, REFRACTORY,
Heating & Hearth	Empire Hearth	Empire Hearth Products	LS24B2	1220038	LOG, LS-24B2, EMPIRE, CERAMIC FIBER BIRCH
Heating & Hearth	Empire Hearth	Empire Hearth Products	LS24C2	1218988	LOG, LS-24C2, EMPIRE, CHARRED OAK 5PC
Heating & Hearth	Empire Hearth	Empire Hearth Products	LS24C2S	1219889	LOG, LS-24C2S, EMPIRE, CHARRED OAK SUPER
Heating & Hearth	Empire Hearth	Empire Hearth Products	LS24CD	1221747	LOGS, LS24CD, EMPIRE, 24in, DRIFTWOOD,
Heating & Hearth	Empire Hearth	Empire Hearth Products	LS24EF	1220583	LOGS, LS-24EF, EMPIRE, 24 IN, CERAMIC FIBER
Heating & Hearth	Empire Hearth	Empire Hearth Products	LS24P	1219073	LOG, LS-24P. EMPIRE, PONDEROSA,
Heating & Hearth	Empire Hearth	Empire Hearth Products	LS24RS2	1220046	LOG, LS-24RS2, EMPIRE, LP,
Heating & Hearth	Empire Hearth	Empire Hearth Products	LS24RSS	1219068	LOG, LS-24RSS, EMPIRE, SASSAFRAS, SUPER
Heating & Hearth	Empire Hearth	Empire Hearth Products	LS24SRAO	1220238	LOG, LS-24SRAO, EMPIRE, AGED OAK 7 PC
Heating & Hearth	Empire Hearth	Empire Hearth Products	LS24WRR	1221736	LOG, LS-24WRR, EMPIRE, WILDWOOD,
Heating & Hearth	Empire Hearth	Empire Hearth Products	LS24WRS	1221733	LOGS, LS-24WRS, EMPIRE, 24IN, REFRACTORY, 7PC
Heating & Hearth	Empire Hearth	Empire Hearth Products	LS30B2	1221568	LOG, LS-30B2, EMPIRE, BIRCH 30IN, CERAMIC
Heating & Hearth	Empire Hearth	Empire Hearth Products	LS30C2	1219573	LOG, LS-30C2, EMPIRE, CHARRED OAK,
Heating & Hearth	Empire Hearth	Empire Hearth Products	LS30C2S	1219078	LOG, LS-30C2S, EMPIRE, CHARRED OAK SUPER
Heating & Hearth	Empire Hearth	Empire Hearth Products	LS30EF	1221207	LOG SET, LS-30EF, EMPIRE, VAIL, CERAMIC
Heating & Hearth	Empire Hearth	Empire Hearth Products	LS30P	1219076	LOG, LS-30P, EMPIRE, PONDEROSA,
Heating & Hearth	Empire Hearth	Empire Hearth Products	LS30RS2	1220073	LOG, LS-30RS2, EMPIRE, LP,
Heating & Hearth	Empire Hearth	Empire Hearth Products	LS30RSS	1219077	LOG, LS-30RSS, EMPIRE, SASSAFRAS SUPER
Heating & Hearth	Empire Hearth	Empire Hearth Products	LS30SRAO	1220298	LOG, LS-30SRAO, EMPIRE, AGED OAK,
Heating & Hearth	Empire Hearth	Empire Hearth Products	LS30WRR	1221745	LOG, LS30WRR, EMPIRE, WILDWOOD,
Heating & Hearth	Empire Hearth	Empire Hearth Products	LS30WRS	1221778	LOG, LS30WRS, EMPIRE, SUPER STACK WILDWOOD
Heating & Hearth	Empire Hearth	Empire Hearth Products	LSU18RR	1219530	LOG, LSU-18-RR, EMPIRE, ROCK CREEK
Heating & Hearth	Empire Hearth	Empire Hearth Products	LSU18SF	1220678	LOGS, LSU-18SF, EMPIRE
Heating & Hearth	Empire Hearth	Empire Hearth Products	LSU24RR	1219563	LOG SET, LSU-24-RR, EMPIRE, ROCK CREEK,
Heating & Hearth	Empire Hearth	Empire Hearth Products	LSU24SF	1221591	LOG SET, LSU-24-SF, EMPIRE, STONE RIVER
Heating & Hearth	Empire Hearth	Empire Hearth Products	LSU30RR	1219521	LOG, LSU-30RR, EMPIRE, SEE THRU
Heating & Hearth	Empire Hearth	Empire Hearth Products	LSU30SF	1219583	LOG, LSU-30SF, EMPIRE, STONE RIVER
Heating & Hearth	Empire Hearth	Empire Hearth Products	OLX30WR	1221623	LOG SET, OLX30WR, EMPIRE, 30", OUTDOOR, WILD
Heating & Hearth	Empire Hearth	Empire Hearth Products	ONI30P	1221622	BURNER, ONI30P, EMPIRE, 30", OUTDOOR, HARMONY
Heating & Hearth	Empire Hearth	Empire Hearth Products	ONR30P	1221714	BURNER, ONR30P, EMPIRE, 30", MILLIVOLT ON/OFF
Heating & Hearth	Empire Hearth	Empire Hearth Products	OP42FB2MF	1221621	FIREBOX, OP-42-FB2MF, EMPIRE, 42" OUTDOOR
Heating & Hearth	Empire Hearth	Empire Hearth Products	VFD20CC30BP	1221443	STOVE, VFD-20-CC30B, EMPIRE, LP, BLACK, MILLI
Heating & Hearth	Empire Hearth	Empire Hearth Products	VFD20CC30FP	1221425	STOVE, VFD20CC30F, EMPIRE, LP, CAST IRON
Heating & Hearth	Empire Hearth	Empire Hearth Products	VFD20CC30MP	1221214	STOVE, VFD-20-CC30M, EMPIRE, LP, HERITAGE
Heating & Hearth	Empire Hearth	Empire Hearth Products	VFD26FM30CN	1220739	FIREPLACE, VFD-26-FM30-CN, EMPIRE, NG, VFC
Heating & Hearth	Empire Hearth	Empire Hearth Products	VFD26FM30CP	1219600	FIREPLACE, VFD26FM30CP, EMPIRE, VAIL
Heating & Hearth	Empire Hearth	Empire Hearth Products	VFD26FM30WP	1219799	FIREPLACE, VFD26-FM30-WP, EMPIRE, LP
Heating & Hearth	Empire Hearth	Empire Hearth Products	VFD-26-FP20LN	1221475	FIREPLACE, VFD-26FP20LN, EMPIRE, VAIL, NG
Heating & Hearth	Empire Hearth	Empire Hearth Products	VFD26FP30LP	1219463	FIREPLACE, VFD-26FP30LP, EMPIRE, LP, VAIL
Heating & Hearth	Empire Hearth	Empire Hearth Products	VFD26FP70LN	1220212	INSERT, VFD26FP70LN, EMPIRE, NG, Vail 26"
Heating & Hearth	Empire Hearth	Empire Hearth Products	VFD26FP70LP	1221716	FIREPLACE, VFD26FP70LP, EMPIRE, VAIL, 26 VF
Heating & Hearth	Empire Hearth	Empire Hearth Products	VFD30CC30BP	1220284	STOVE, VFD-30-CC30B-LP, EMPIRE, HERITAGE
Heating & Hearth	Empire Hearth	Empire Hearth Products	VFD30CC30FN	1221731	STOVE, VFD-30-CC30FN, EMPIRE, HERITAGE, NG
Heating & Hearth	Empire Hearth	Empire Hearth Products	VFD30CC30FP	1220274	STOVE, VFD-30-CC30F-LP, EMPIRE, HERITAGE
Heating & Hearth	Empire Hearth	Empire Hearth Products	VFD30CC30MP	1221215	STOVE, VFD-30-CC30MP, EMPIRE, HERITAGE, LP
Heating & Hearth	Empire Hearth	Empire Hearth Products	VFD32FB2MF	1221317	FIREBOX, VFD-32-FB2MF, EMPIRE, 32IN, DLX VF
Heating & Hearth	Empire Hearth	Empire Hearth Products	VFD32FBOF	1219225	FIREBOX, VFD-32-FBOF, EMPIRE, BRECKENRID
Heating & Hearth	Empire Hearth	Empire Hearth Products	VFD32FBOL	1219697	FIREBOX, VFD32-FBOL, EMPIRE, BRECKINGRI
Heating & Hearth	Empire Hearth	Empire Hearth Products	VFD36FB2MF	1221781	FIREBOX, VFD-36FB2MF, EMPIRE, 36IN, FLUSH FA
Heating & Hearth	Empire Hearth	Empire Hearth Products	VFD36FBOL	1219579	FIREBOX, VFD-36-FBOL, EMPIRE, BRECKINRID
Heating & Hearth	Empire Hearth	Empire Hearth Products	VFD-42-FB2ML	1221440	FIREBOX, VFD-42-FBML, EMPIRE, BRECKENRIDGE
Heating & Hearth	Empire Hearth	Empire Hearth Products	VFD42FBOF	1221839	FIREBOX, VFD42-FBOF, EMPIRE, BRECKINGRI
Heating & Hearth	Empire Hearth	Empire Hearth Products	VFD42FBOL	1221233	FIREPLACE, VFD-42FBOL, EMPIRE, 42IN, BRECKIN
Heating & Hearth	Empire Hearth	Empire Hearth Products	VFDM18LBN	1221800	LOG, VFDM-18-LB, EMPIRE, NATGAS, FLINT HILL
Heating & Hearth	Empire Hearth	Empire Hearth Products	VFDM18LBP	1219630	LOG, VFDM-18-LB, EMPIRE, LP, FLINT HILL



Line of Business	Category	Item Group	RMI Item #	B2B Item #	Description
Heating & Hearth	Empire Hearth	Empire Hearth Products	VFDM24LBP	1219427	LOG, VFDM-24-LB, EMPIRE, LP, FLINT HILL
Heating & Hearth	Empire Hearth	Empire Hearth Products	VFDM30LBP	1219418	LOG, VFDM-30-LB, EMPIRE, LP
Heating & Hearth	Empire Hearth	Empire Hearth Products	VFDR18LB10N	1221461	LOG,VFDR-18-LB-10N,EMPIRE, FLINT HILL,NG
Heating & Hearth	Empire Hearth	Empire Hearth Products	VFDR18LB10P	1221470	LOG,VFDR-18-LB-10P,EMPIRE,FLINT HILL,LP
Heating & Hearth	Empire Hearth	Empire Hearth Products	VFDR18LBP	1219450	LOG, VFDR-18-LBP, EMPIRE, FLINT HILL
Heating & Hearth	Empire Hearth	Empire Hearth Products	VFDR-18-LBW-10P	1221190	LOG AND BURNER,SPECIALORDER,VFDR-18LBW10
Heating & Hearth	Empire Hearth	Empire Hearth Products	VFDR18LBWP	1219704	LOG, VFDR-18-LBW, EMPIRE,LP, WHISKEY RIV
Heating & Hearth	Empire Hearth	Empire Hearth Products	VFDR24LBN	1221072	LOGS, VFDR-24-LBN, EMPIRE,FLINT HILL
Heating & Hearth	Empire Hearth	Empire Hearth Products	VFDR24LBP	1219541	LOG, VFDR-24-LB, EMPIRE, LP, FLINT HILL
Heating & Hearth	Empire Hearth	Empire Hearth Products	VFDR24LBWP	1220065	LOG, VFDR-24-LBW, EMPIRE,LP, WHISKEY RIV
Heating & Hearth	Empire Hearth	Empire Hearth Products	VFDR30LBP	1219601	LOG, VFDR-30LB, EMPIRE,LP, FLINT HILL
Heating & Hearth	Empire Hearth	Empire Hearth Products	VFDR30LBWP	1221555	LOG SET,VFDR-30LBW,EMPIRE,LP,WHISKEY
Heating & Hearth	Empire Hearth	Empire Hearth Products	VFDT-18-LBP	1220072	LOG, VFDT-18LP, EMPIRE. FLINT HILL,
Heating & Hearth	Empire Hearth	Empire Hearth Products	VFDT-18-LBWP	1221530	LOG,VFDT-18LBW,EMPIRE,LP,WHISKEY RIVER
Heating & Hearth	Empire Hearth	Empire Hearth Products	VFDT-24-LBP	1219698	LOG, VFDT-24LBP, EMPIRE. FLINT HILL,
Heating & Hearth	Empire Hearth	Empire Hearth Products	VFDT-30-LBP	1220683	LOGS, VFDT-30LB, EMPIRE, FLINT HILL
Heating & Hearth	Empire Hearth	Empire Hearth Products	VFDT-30-LBWP	1221532	LOG,VFDT-30-LBWP,EMPIRE,LP,WHISKEY RIVER
Heating & Hearth	Empire Hearth	Empire Hearth Products	VFLB36FP30P	1221954	FIREPLACE,VFLB36FP30P,EMPIRE,LP,BOULEVAR
Heating & Hearth	Empire Hearth	Empire Hearth Products	VFLB48FP90P	1221777	FIREPLACE,VFLB48FP90P,EMPIRE,LP,BOULEVAR
Heating & Hearth	Empire Hearth	Empire Hearth Products	VFP-24-FP20LN	1219903	FIREPLACE, VFP-24-FP20L, EMPIRE, LP,
Heating & Hearth	Empire Hearth	Empire Hearth Products	VFP24FP30LP	1219703	FIREPLACE, VFP-24FP30L, EMPIRE,LP,VAIL
Heating & Hearth	Empire Hearth	Empire Hearth Products	VFP36FBOL	1221432	FIREBOX,VFP36FBOL,EMPIRE,PREMIUM,36IN,
Heating & Hearth	Empire Hearth	Empire Hearth Products	VFP36PB2EF	1221660	FIREPLACE,VFP36PB2EF,EMPIRE,VENT FREE,
Heating & Hearth	Empire Hearth	Empire Hearth Products	VFP36PP32EP	1219900	FIREPLACE, VFP-36-PP32E,EMPIRE,LP,
Heating & Hearth	Empire Hearth	Empire Hearth Products	VFP36SP32EP	1220956	FIREBOX, VFP-36SP32EP, EMPIRE, 36"
Heating & Hearth	Empire Hearth	Empire Hearth Products	VFP42FBOL	1220128	FIREBOX,VFP42FBOL,EMPIRE,BRECKENRIDGE
Heating & Hearth	Empire Hearth	Empire Hearth Products	VFPA32BP30LP	1221853	FIREPLACE,VFPA32BP30LP,EMPIRE,VAIL 32
Heating & Hearth	Empire Hearth	Empire Hearth Products	VFPC28IN33P	1221780	FIREPLACE,VFPC28IN33P,EMPIRE,LP,WHT MTN
Heating & Hearth	Empire Hearth	Empire Hearth Products	VFRL24P	1220137	BURNER,VFRL-24,EMPIRE,LP, LOFT SERIES
Heating & Hearth	Empire Hearth	Empire Hearth Products	VFS32FBOF	1221240	FIREBOX, VFS-32-FBOF, EMPIRE,32",SELECT,
Heating & Hearth	Empire Hearth	Empire Hearth Products	VFS36FBOF	1221649	FIREPLACE,VFS36FBOF,EMPIRE,36"BRECKENRID
Heating & Hearth	Empire Hearth	Empire Hearth Products	VFS42FBOF	1219975	FIREBOX, VFS-42-FBOF, EMPIRE, BRECKINRI
Heating & Hearth	Empire Hearth	Empire Hearth Products	VFSE18P	1220208	BURNER, VFSE-18, EMPIRE, SLOPE, 18",
Heating & Hearth	Empire Hearth	Empire Hearth Products	VFSE24N	1221444	BURNER,VFSE-24N,EMPIRE,SLOPEGLAZE,NG
Heating & Hearth	Empire Hearth	Empire Hearth Products	VFSE24P	1220078	BURNER,VFSE-24,EMPIRE,LP,SLOPE GLAZE
Heating & Hearth	Empire Hearth	Empire Hearth Products	VFSE30P	1220229	BURNER,VFSE-30,EMPIRE,LP,SLOPE GLAZE
Heating & Hearth	Empire Hearth	Empire Hearth Products	VFSM18P	1214886	BURNER, VFSM-18LP, EMPIRE,MANUAL SLOPE
Heating & Hearth	Empire Hearth	Empire Hearth Products	VFSM24P	1214904	BURNER, VFSM-24, EMPIRE, LP, SLOPE GLZ
Heating & Hearth	Empire Hearth	Empire Hearth Products	VFSM30P	1214888	BURNER,VFSM-30LP, EMPIRE,MANUAL SLOPE
Heating & Hearth	Empire Hearth	Empire Hearth Products	VFSR16N	1212789	BURNER, VFSR-16N, EMPIRE, NATURAL GAS
Heating & Hearth	Empire Hearth	Empire Hearth Products	VFSR16P	1214890	BURNER, VFSR-16, EMPIRE, LP, SLOPE GLZ
Heating & Hearth	Empire Hearth	Empire Hearth Products	VFSR18N	1214651	BURNER, NVFSR-18, EMPIRE,NAT GAS,
Heating & Hearth	Empire Hearth	Empire Hearth Products	VFSR18P	1214632	BURNER, VFSR-18, EMPIRE, LP, SLOPE GLZ
Heating & Hearth	Empire Hearth	Empire Hearth Products	VFSR24N	1214652	BURNER, NVFSR-24, EMPIRE, NAT GAS
Heating & Hearth	Empire Hearth	Empire Hearth Products	VFSR24P	1214647	BURNER,VFSR-24, EMPIRE, LP, VENT FREE
Heating & Hearth	Empire Hearth	Empire Hearth Products	VFSR30N	1214653	BURNER, NVFSR-30, EMPIRE, NAT GAS
Heating & Hearth	Empire Hearth	Empire Hearth Products	VFSR30P	1214496	BUNER, VFSR-30, EMPIRE, LP, SLOPE GLAZE
Heating & Hearth	Empire Hearth	Empire Hearth Products	VFSUE18P	1221318	BURNER, VFSUE-18P,EMPIRE,18IN, SLP GLAZE
Heating & Hearth	Empire Hearth	Empire Hearth Products	VFSUE24P	1221292	BURNER, VFSUE-24, EMPIRE, 24", SLP GLAZE
Heating & Hearth	Empire Hearth	Empire Hearth Products	VFSUR18P	1219529	BURNER, VFSUR-18, EMPIRE, LP, VISTA
Heating & Hearth	Empire Hearth	Empire Hearth Products	VFSUR24P	1219562	BURNER, VFSUR-24, EMPIRE, LP,
Heating & Hearth	Empire Hearth	Empire Hearth Products	VFSUR30P	1219520	BURNER, VFSUR-30, EMPIRE, LP,
Heating & Hearth	Empire Hearth	Empire Hearth Products	VFSV16P	1215116	BURNER, VFSV-16, EMPIRE, LP, SLOPE GLAZE
Heating & Hearth	Empire Hearth	Empire Hearth Products	VFSV18N	1215015	BURNER,NVFSV-18,EMPIRE,NG,SLOPE W/REMOTE
Heating & Hearth	Empire Hearth	Empire Hearth Products	VFSV18P	1214635	BURNER, VFSV-18, EMPIRE, SLOPE W/REMOTE
Heating & Hearth	Empire Hearth	Empire Hearth Products	VFSV24N	1215016	BURNER,NVFSV-24,EMPIRE,NG, W/REMOTE
Heating & Hearth	Empire Hearth	Empire Hearth Products	VFSV24P	1214618	BURNER,VFSV-24,EMPIRE,VENT FREE,W/REMOTE
Heating & Hearth	Empire Hearth	Empire Hearth Products	VFSV30N	1216197	BURNER, NVFSV-30, EMPIRE, NAT GAS,
Heating & Hearth	Empire Hearth	Empire Hearth Products	VFSV30P	1214654	BURNER, VFSV-30, EMPIRE, LP, SLOPE
Heating & Hearth	Empire Hearth	Empire Hearth Products	VSR-18P	1215211	BURNER,VSR-18, EMPIRE, VENTED SLOPE, LP
Heating & Hearth	Empire Hearth	Empire Hearth Products	VSR-30	1215531	BURNER, VSR-30, EMPIRE, LP, VENTED

Line of Business	Category	Item Group	RMI Item #	B2B Item #	Description
Heating & Hearth	Hearth Equipment	A.W. Perkins	AWP101	1543003	CLEANER,AWP101,HEARTH GLASS CONDITIONER
Heating & Hearth	Hearth Equipment	Ambient Technology Remotes	RCBXXX	1526431	REMOTE, RCB, AMBIENT, ON/OFF
Heating & Hearth	Hearth Equipment	Astria Accessories	FBK-100	1547777	BLOWER,FBK100,SUPERIOR,80L84
Heating & Hearth	Hearth Equipment	Skytech Remote Controls	SK1001	1538858	REMOTE, 1001, SKYTECH, BASIC, ON AND OFF
Heating & Hearth	Hearth Equipment	Skytech Remote Controls	SK1001TH-A	1538719	REMOTE, 1001TH-A, SKYTECH, LCD ON/OFF,TH
Heating & Hearth	Hearth Equipment	Skytech Remote Controls	SK1001TLCD	1526044	REMOTE,SKY1001TLCD, SKYTEC
Heating & Hearth	Hearth Equipment	Skytech Remote Controls	SK3002	1542777	REMOTE, SK-3002, SKYTEC
Heating & Hearth	Hearth Equipment	Skytech Remote Controls	SK3301	1526812	REMOTE, 3301,SKYTECH, ON/OFF THERMOSTAT
Heating & Hearth	Hearth Equipment	Skytech Remote Controls	SKY-MRCK	1526396	REMOTE, SKYMRCK, SKYTECH, CONTROL
Heating & Hearth	Hearth Equipment	Skytech Remote Controls	TS/R-2	1547512	THERMOSTAT,TS/R-2,SKYTEC, WIRELESS,WALL
Heating & Hearth	Hearth Equipment	VCG Parts	10001828	1520355	THERMOCOUPLE,10001828,PSE,W/INTERUPTER,
Heating & Hearth	Heaters	Empire Heaters	5088X	1221689	FURNACE,5088X,EMPIRE,LP,FLOOR,45,000
Heating & Hearth	Heaters	Empire Heaters	BF-30W	1221812	HEATER, BF-30W, EMPIRE,LP,BLUE FLAME,
Heating & Hearth	Heaters	Empire Heaters	DV210-SGX	1221644	FURNACE,DV-210-SGX, EMPIRE, WALL,LP, DI
Heating & Hearth	Heaters	Empire Heaters	DV215-SGX	1221551	FURNACE,DV-215-SGX, EMPIRE,WALL, LP,DI
Heating & Hearth	Heaters	Empire Heaters	DV25-SG	1204542	FURNACE, DV-25-SG, EMPIRE, WALL
Heating & Hearth	Heaters	Empire Heaters	DV35-SG	1204543	FURNACE, DV-35-SG, EMPIRE, WALL
Heating & Hearth	Heaters	Empire Heaters	DV-40E	1204756	HEATER, DV-40E, EMPIRE, LP, MID
Heating & Hearth	Heaters	Empire Heaters	DV-55E	1204783	FURNACE, DV-55E, EMPIRE, LP, DI
Heating & Hearth	Heaters	Empire Heaters	DVC35-SPPX	1221685	HEATER, DVC35SPPX, EMPIRE, DV, 35K, LP,
Heating & Hearth	Heaters	Empire Heaters	DVC55-IPX	1221659	FURNACE,DVC-55-IPX,EMPIRE,LP,WALL,DIR
Heating & Hearth	Heaters	Empire Heaters	DVC55-SPPX	1221610	HEATER,DVC55-SPPX,EMPIRE,LP,DIRECT VENT
Heating & Hearth	Heaters	Empire Heaters	FAW40-SPPX	1221656	HEATER,FAW40-SPPX,EMPIRE,COUNTERFLOW
Heating & Hearth	Heaters	Empire Heaters	GWT-35W	1221799	FURNACE,GWT-35W,EMPIRE,LP,GRAVITY WALL
Heating & Hearth	Heaters	Empire Heaters	NDV215-SGX	1221757	FURNACE,DV-215-SGX, EMPIRE,NAT GAS, NG
Heating & Hearth	Heaters	Empire Heaters	NDV25-SG	1212547	FURNACE, NDV-25-SG, EMPIRE,NATURAL GAS
Heating & Hearth	Heaters	Empire Heaters	NDV35-SG	1205894	FURNACE, DV-35-SG-NG, EMPIRE, N
Heating & Hearth	Heaters	Empire Heaters	NDVC35-IPX	1206086	FURNACE, NDVC35-IP, EMPIRE,NAT GAS
Heating & Hearth	Heaters	Empire Heaters	NDVC55-SPPX	1221794	HEATER,DVC55-SPPX,EMPIRE,NAT GAS,DV
Heating & Hearth	Heaters	Empire Heaters	NFAW40-SPPX	1221566	FURNACE, NFAW-40-SPPX,EMPIRE,NAT GAS
Heating & Hearth	Heaters	Empire Heaters	NRH-25	1205610	HEATER, RH-25-NG, EMPIRE, 25,000 BTU
Heating & Hearth	Heaters	Empire Heaters	NRH-35	1206028	HEATER, RH-35, EMPIRE, NG, CONS
Heating & Hearth	Heaters	Empire Heaters	NRH-50B	1206083	HEATER, NRH-50B, EMPIRE, NG, VISUAL FLAM
Heating & Hearth	Heaters	Empire Heaters	NRH-50C	1215144	HEATER, NRH-50C, EMPIRE,NAT GAS,CLOSED F
Heating & Hearth	Heaters	Empire Heaters	NRH-50CB	1215048	HEATER, NRH-50CB, EMPIRE, NAT GAS, CLOSE
Heating & Hearth	Heaters	Empire Heaters	NRH-65B	1206030	HEATER, NRH-65B, EMPIRE, NG, VENTED
Heating & Hearth	Heaters	Empire Heaters	RH-25	1204582	HEATER, RH-25, EMPIRE, LP, 25,0
Heating & Hearth	Heaters	Empire Heaters	RH-35	1204550	HEATER, RH-35, EMPIRE, LP, CONS
Heating & Hearth	Heaters	Empire Heaters	RH-50B	1204551	HEATER, RH-50B, EMPIRE, LP, 50,
Heating & Hearth	Heaters	Empire Heaters	RH-50C	1213164	HEATER, RH-50C, EMPIRE, CLOSED FRONT
Heating & Hearth	Heaters	Empire Heaters	RH-50CB	1213166	HEATER, RH-50CB, EMPIRE, CLOSED FRONT
Heating & Hearth	Heaters	Empire Heaters	RH-65B	1204552	HEATER, RH-65B, EMPIRE, LP, 65,
Heating & Hearth	Heaters	Empire Heaters	RH-65C	1213165	HEATER, RH-65C, EMPIRE, CLOSED FRONT
Heating & Hearth	Heaters	Empire Heaters	RH-65CB	1213167	HEATER, RH-65CB, EMPIRE, CLOSED FRONT
Heating & Hearth	Heaters	Empire Heaters	SR-10TW	1221827	HEATER,SR10TW, EMPIRE, LP,INFRARED,
Heating & Hearth	Heaters	Empire Heaters	SR-18TW	1221774	HEATER,SR-18TW,EMPIRE,LP,INFRARED,VF
Heating & Hearth	Heaters	Empire Heaters	SR-18W	1221814	HEATER,SR18WLP,EMPIRE,LP,MANUAL 3 HEAT
Heating & Hearth	Heaters	Empire Heaters	SR-30TW	1221815	HEATER,SR30TW,EMPIRE,LP,HYDRAULIC
Heating & Hearth	Heaters	Empire Heaters	SR-30W	1221803	HEATER,SR30WLP,EMPIRE,30KBTU,MANUA,WHT
Heating & Hearth	Heaters	Empire Heating Accessories	DRB-1	1535672	BLOWER, DRB-1, EMPIRE, FOR DV-25/35
Heating & Hearth	Heaters	Empire Heating Accessories	DV822	1508957	KIT, DV-822, EMPIRE, VENT, VINYL SIDING
Heating & Hearth	Heaters	Empire Heating Accessories	DVB-1	1508956	BLOWER, DVB-1, EMPIRE, PKG.
Heating & Hearth	Heaters	Empire Heating Accessories	DVE-1	1509298	KIT, DVE-1, EMPIRE, INTAKE EXHAUST
Heating & Hearth	Heaters	Empire Heating Accessories	DVT-2	1509300	VENT, DVT-2, EMPIRE, EXTENDED VENT TERMI
Heating & Hearth	Heaters	Empire Heating Accessories	FRB-3	1525369	BLOWER, FRB-3, EMPIRE,
Heating & Hearth	Heaters	Empire Heating Accessories	GWTB-2W	1548731	BLOWER,GWTB2W,EMPIRE,TOP MOUNT,
Heating & Hearth	Heaters	Empire Heating Accessories	RAD-8	1508969	RADIANTS, RAD-8,EMPIRE, FOR RH-50-1,
Heating & Hearth	Heaters	Empire Heating Accessories	RH-425	1508968	PAD, RH-425, EMPIRE, FLOOR, 36" X 21"
Heating & Hearth	Heaters	Empire Heating Accessories	RHL-2	1538419	KIT, RHL-2, EMPIRE, LOG,
Heating & Hearth	Heaters	Empire Heating Accessories	ROK-1	1509579	KIT, ROK-1, EMPIRE, 10" REAR OUTLET, FOR
Heating & Hearth	Heaters	Empire Heating Accessories	SRB-18TW	1548838	BLOWER,SRB18TW,EMPIRE,AUTOMATIC FOR
Heating & Hearth	Heaters	Empire Heating Accessories	SRB-30TW	1548839	BLOWER,SRB30TW,EMPIRE,AUTOMATIC FOR
Heating & Hearth	Heaters	Empire Heating Accessories	SRB-30W	1549106	BLOWER, SRB-30W, EMPIRE, FOR SR-30
Heating & Hearth	Heaters	Empire Heating Accessories	SRS-30W	1548841	STAND,SRS30W,EMPIRE, FLOOR INSTALLATIO



ALL Products by Category



Line of Business	Category	Item Group	RMI Item #	B2B Item #	Description
Heating & Hearth	Heaters	Empire Parts	11787	1540327	FAN BLADE, 11787, EMPIRE
Heating & Hearth	Heaters	Empire Parts	12277	1537353	VALVE, 12277, EMPIRE, LP CONTROL
Heating & Hearth	Heaters	Empire Parts	13291	1544050	KIT,13291, EMPIRE,LP to NAT
Heating & Hearth	Heaters	Empire Parts	19564	1547714	BOARD, 19564, EMPIRE, R2576 CONTROL, ICM
Heating & Hearth	Heaters	Empire Parts	25669	1539917	SWITCH, 25669, EMPIRE, FAN
Heating & Hearth	Heaters	Empire Parts	26441	1544182	KIT, 26441,EMPIRE,RETRO FIT
Heating & Hearth	Heaters	Empire Parts	28665	1541946	VALVE,28665,EMPIRE,RETROFIT
Heating & Hearth	Heaters	Empire Parts	672010	1510914	GENERATOR, 672010, EMPIRE
Heating & Hearth	Heaters	Empire Parts	DV-064	1540893	COVER, DV-064, EMPIRE, OBSERVATION HOLE
Heating & Hearth	Heaters	Empire Parts	DV-1004	1518447	TUBING, DV-1004, EMPIRE
Heating & Hearth	Heaters	Empire Parts	DV-1074	1546707	VALVE,DV1074,EMPIRE,GAS,LP
Heating & Hearth	Heaters	Empire Parts	DV-524	1518311	TUBE, DV-524, EMPIRE, FLUE OUTLET
Heating & Hearth	Heaters	Empire Parts	DV-548	1518310	TUBE, DV-548, EMPIRE, AIR INTAKE
Heating & Hearth	Heaters	Empire Parts	DV-600	1510466	FLUE KIT, DV-600, EMPIRE, CFM
Heating & Hearth	Heaters	Empire Parts	DV-635B	1541488	HEAT EXCHANGER,DV635B,EMPIRE
Heating & Hearth	Heaters	Empire Parts	DV-757	1521271	KIT, DV-757, EMPIRE, VENT FOR DV-25/
Heating & Hearth	Heaters	Empire Parts	DV-772-G	1510774	ELECTRODE, DV-772-G, EMPIRE, WIRING
Heating & Hearth	Heaters	Empire Parts	DV-778	1538669	GASKET, DV-778, EMPIRE, BURNER DOOR
Heating & Hearth	Heaters	Empire Parts	DV-779	1545130	BURNER DOOR GASKET,DV-779,EMPIRE
Heating & Hearth	Heaters	Empire Parts	DV-781	1534641	BURNER, DV-781, EMPIRE, PILOT WITH ORIFI
Heating & Hearth	Heaters	Empire Parts	DV-824	1544504	BURNER,DV-824, EMPIRE, FRONT
Heating & Hearth	Heaters	Empire Parts	DV-826	1544503	BURNER,DV-826, EMPIRE, REAR
Heating & Hearth	Heaters	Empire Parts	DV-844	1525167	TUBE, DV-844, EMPIRE, INNER
Heating & Hearth	Heaters	Empire Parts	DV-845	1525166	TUBE, DV-845, EMPIRE, OUTER
Heating & Hearth	Heaters	Empire Parts	DV-907	1543674	PILOT TUBING,DV-907,EMPIRE,W/FERRULE
Heating & Hearth	Heaters	Empire Parts	DV-990	1523811	BURNER, DV-990, EMPIRE
Heating & Hearth	Heaters	Empire Parts	M-147	1545129	GASKET TUBING SEAL,M147,EMPIRE,
Heating & Hearth	Heaters	Empire Parts	M-151	1538670	GASKET, M-151, EMPIRE, PILOT BURNER
Heating & Hearth	Heaters	Empire Parts	M-155	1510772	GASKET, M-155, EMPIRE, LIGHTING HOLE
Heating & Hearth	Heaters	Empire Parts	R-1089	1539943	ORIFICE, R-1089, EMPIRE, PILOT
Heating & Hearth	Heaters	Empire Parts	R-1156	1537560	SWITCH, R1156, EMPIRE, FAN
Heating & Hearth	Heaters	Empire Parts	R-12796	1549093	BURNER, R-12796, EMPIRE, PILOT BURNER
Heating & Hearth	Heaters	Empire Parts	R-1633-1/8"	1541297	FERRULE,R-1633-1/8",BREAKAWAY 1/4 X 1/8
Heating & Hearth	Heaters	Empire Parts	R-1941	1510761	SWITCH, R-1941, EMPIRE, FAN
Heating & Hearth	Heaters	Empire Parts	R-1948	1510463	VALVE, R1948, EMPIRE, CONTROL
Heating & Hearth	Heaters	Empire Parts	R-2223	1521412	PILOT, R-2223, LP, EMPIRE FOR DV-232
Heating & Hearth	Heaters	Empire Parts	R-2324	1525451	KNOB, R2324, EMPIRE,
Heating & Hearth	Heaters	Empire Parts	R-2351	1537627	VALVE, R-2351, EMPIRE, GAS
Heating & Hearth	Heaters	Empire Parts	R-2372	1537291	THERMOCOUPLE, R2372, EMPIRE
Heating & Hearth	Heaters	Empire Parts	R-2523	1535087	MOTOR, R-2523, EMPIRE, INDUCER
Heating & Hearth	Heaters	Empire Parts	R-2573	1542970	MOTOR, R-2573, EMPIRE, BLOWER,
Heating & Hearth	Heaters	Empire Parts	R-2703	1539695	VALVE, R-2703, EMPIRE, LP
Heating & Hearth	Heaters	Empire Parts	R-2706	1523540	SWITCH, R2706, EMPIRE
Heating & Hearth	Heaters	Empire Parts	R-2972	1542171	FERRULES, R-2972, BREAKAWAY, 1/4 X 1/4
Heating & Hearth	Heaters	Empire Parts	R-3473	1525175	THERMOCOUPLE, R-3473, EMPIRE
Heating & Hearth	Heaters	Empire Parts	R-3623	1526377	KIT, R3623, EMPIRE, PILOT
Heating & Hearth	Heaters	Empire Parts	R-5170	1545409	PILOT ASSEMBLY,R5170,EMPIRE
Heating & Hearth	Heaters	Empire Parts	R-5601	1538872	VALVE, R-5601, EMPIRE, GAS
Heating & Hearth	Heaters	Empire Parts	R-5626	1546627	REGISTER,R-5626,EMPIRE,ALL "70" FLOOR FUR
Heating & Hearth	Heaters	Empire Parts	R-5655	1524702	VALVE, R-5655, EMPIRE, LP
Heating & Hearth	Heaters	Empire Parts	R-5797	1534337	REMOTE, R5797, VARIABLE TRANSMITTER
Heating & Hearth	Heaters	Empire Parts	R-619	1540326	MOTOR, R-619, EMPIRE, SINGLE SPEED
Heating & Hearth	Heaters	Empire Parts	R-622L	1537366	ASSEMBLY, R-622L,EMPIRE,PILOT W/ORIFICE,
Heating & Hearth	Heaters	Empire Parts	R-630	1541824	SWITCH, R-630, ENPIRE, LIMIT
Heating & Hearth	Heaters	Empire Parts	R-6308	1538455	PILOT, R6308, EMPIRE, ASSY FOR SR18T,
Heating & Hearth	Heaters	Empire Parts	R-6310	1537361	PILOT, R-6310, EMPIRE, THERMOCOUPLE
Heating & Hearth	Heaters	Empire Parts	R-685	1538636	THERMOCOUPLE, R-685, EMPIRE,
Heating & Hearth	Heaters	Empire Parts	R-6989	1546820	SWITCH,R-6989,EMPIRE,DV HI-EFF WALL FUR
Heating & Hearth	Heaters	Empire Parts	R-715L	1542535	PILOT,R-715L,WITH THERMOPILE
Heating & Hearth	Heaters	Empire Parts	R-775L	1539659	BURNER, R775L, LP PILOT WITH OFFICE
Heating & Hearth	Heaters	Empire Parts	R-8117	1537234	SWITCH, R8117, EMPIRE, LOW TEMP FAN
Heating & Hearth	Heaters	Empire Parts	R-8140	1544498	BOARD,R-8140, EMPIRE,CONTROL,
Heating & Hearth	Heaters	Empire Parts	R-854	1510773	IGNITOR, 732021, EMPIRE, R-854
Heating & Hearth	Heaters	Empire Parts	R-942	1537943	THERMOPILE, R-942, EMPIRE,
Heating & Hearth	Heaters	Empire Parts	R-9760	1548548	IGNITOR,R-9760,EMPIRE FOR VFD26FP30NT-2
Heating & Hearth	Heaters	Empire Parts	R-9802	1538682	VALVE, R-9802, EMPIRE, GAS,
Heating & Hearth	Heaters	Empire Parts	RH-691	1545089	EXCHANGER,RH-691,EMPIRE, HEAT,
Heating & Hearth	Heaters	Empire Parts	TH-100	1524910	PLATE, TH100, WALL MOUNT, EMPIRE
Heating & Hearth	Heaters	Empire Parts	TH-123	1521270	KIT, TH-123, EMPIRE, VENT FOR DV-210
Heating & Hearth	Heaters	Empire Parts	TH-134	1547722	PILOT DOOR AND GASKET,TH-134,EMPIRE
Heating & Hearth	Heaters	Empire Parts	TH-345	1521306	TUBE, TH-345, EMPIRE, EXTRA LONG VENT,
Heating & Hearth	Heaters	Empire Parts	TH-346	1521307	TUBE, TH-346, EMPIRE, EXTRA LONG VENT,

Line of Business	Category	Item Group	RMI Item #	B2B Item #	Description
Heating & Hearth	Heaters	Flame Engineering Units & Acc	101-CH221	1549542	HEATER BURNER , 101-CH221, RED DRGN
Heating & Hearth	Heaters	Flame Engineering Units & Acc	332XXX	1549604	SPARKPLUG, 332, FLAME ENG, ONLY RED DRGN
Heating & Hearth	Heaters	Flame Engineering Units & Acc	CH221QC	1549543	BURNER,CONTROL ASSY, CH221QC, FLAME ENG
Heating & Hearth	Heaters	HearthRite Heaters	HABF	1548843	STAND,HABF, EMPIRE, HEARTHRITE
Heating & Hearth	Heaters	HearthRite Heaters	HBW10TL	1221824	HEATER,HBW10TL,EMPIRE,LP, HEARTHRITE,
Heating & Hearth	Heaters	HearthRite Heaters	HBW20TL	1221816	HEATER,HBW20TL,EMPIRE,LP,HEARTHRITE,
Heating & Hearth	Heaters	HearthRite Heaters	HBW30TL	1221817	HEATER,HBW30TL,EMPIRE,LP, HEARTHRITE,
Heating & Hearth	Heaters	HearthRite Heaters	HBW30TN	1221900	HEATER,HBW30TN,EMPIRE,NAT GAS,HEARTHRITE
Heating & Hearth	Heaters	HearthRite Heaters	HRW10ML	1221818	HEATER,HRW10ML,EMPIRE, LP,HEARTHRITE,
Heating & Hearth	Heaters	HearthRite Heaters	HRW10TL	1221821	HEATER,HRW10TL,EMPIRE,LP,HEARTHRITE,
Heating & Hearth	Heaters	HearthRite Heaters	HRW17ML	1221822	HEATER,HRW17ML,EMPIRE,LP, HEARTHRITE
Heating & Hearth	Heaters	HearthRite Heaters	HRW17TL	1221829	HEATER, HRW17TL,EMPIRE,LP,HEARTHRITE,
Heating & Hearth	Heaters	HearthRite Heaters	HRW25TL	1221819	HEATER,HRW25TL,EMPIRE,LP, HEARTHRITE,
Heating & Hearth	Heaters	HearthRite Heaters	HRW30TN	1221854	HEATER,HRW30TN,EMPIRE,NAT GAS,HEARTHRITE
Heating & Hearth	Heaters	LB White AG Heaters	CLASSIC 60	1219326	HEATER, CLASSIC 60, L B WHITE,FORCED AIR
Heating & Hearth	Heaters	LB White AG Heaters	GUARDIAN 100	1207790	HEATER, GUARDIAN 100HSI,LBWHITE,50-10000
Heating & Hearth	Heaters	LB White AG Heaters	GUARDIAN 250	1207791	HEATER, GUARDIAN 250, LB WHITE, OUTDOOR
Heating & Hearth	Heaters	LB White AG Heaters	GUARDIAN 250 SI	1221178	HEATER,GUARDIAN 250 SI,LB WHITE,LP
Heating & Hearth	Heaters	LB White AG Heaters	GUARDIAN 325N HSI	1221290	HEATER, GUARDIAN 325 HIS, LB WHITE, N/G
Heating & Hearth	Heaters	LB White Heater Parts	00831	1542679	THERMOSTAT,00831,LB WHITE,20' CORD
Heating & Hearth	Heaters	LB White Heater Parts	09454	1542680	THERMOSTAT,09454,LB WHITE,DUST/RAIN CASE
Heating & Hearth	Heaters	LB White Heater Parts	20356	1514127	VALVE, 20356, L B WHITE, GAS CONTROL
Heating & Hearth	Heaters	LB White Heater Parts	23463	1546371	REGULATOR, 23463, LB WHITE, 10PSI,W/SOFT
Heating & Hearth	Heaters	LB White Heater Parts	26347	1540245	DUCT,26347, LB WHITE ,DISTRIBUTION,
Heating & Hearth	Heaters	LB White Heater Parts	26617	1539576	DUCT, 26617, LB WHITE, ADAPTER
Heating & Hearth	Heaters	LB White Heater Parts	503933	1545182	SWITCH,503933,LB WHITE,RESET, HIGH LIMIT
Heating & Hearth	Heaters	LB White Heater Parts	571400	1545181	SWITCH,571400, LB WHITE, HIGH LIMIT
Heating & Hearth	Heaters	LB White Heater Parts	571411	1545183	SWITCH,571411, LBWHITE,SELECTOR, LED ROC
Heating & Hearth	Heaters	LB White Heaters	NORSEMAN 200 PLUS	1211712	HEATER, NORSEMAN 200 PLUS ,LB WHITE, LP
Heating & Hearth	Heaters	LB White Heaters	NORSEMAN 250	1207804	HEATER, NORSEMAN250, LB WHITE, CONVECTIO
Heating & Hearth	Heaters	LB White Heaters	PREMIER 170	1219759	HEATER, PREMIER 170-LP, LB WHITE,
Heating & Hearth	Heaters	LB White Heaters	PREMIER 80	1208958	HEATER,PREMIER 80 , LB WHITE,TENT,LP
Heating & Hearth	Heaters	LB White Heaters	TRADESMAN 170	1221423	HEATER,TRADESMAN 170LP, LB WHITE, LP
Heating & Hearth	Heaters	LB White Heaters	TRADESMAN 170 ULTRA	1221061	HEATER,TRADESMAN 170 ULTRA,LB WHITE LP
Heating & Hearth	Heaters	LB White Heaters	TRADESMAN 170N	1221422	HEATER,TRADESMAN 170N,LB WHITE NAT GAS
Heating & Hearth	Heaters	LB White Heaters	TRADESMAN 170N ULTRA	1221421	HEATER,TRADESMAN 170N,ULTRA,LB WHITE,NG
Heating & Hearth	Heaters	LB White Heaters	TRADESMAN 400	1208972	HEATER, TRADESMAN 400, L B WHITE, AIR,
Heating & Hearth	Heaters	LB White Heaters	TRADESMAN 400+ ULTRA	1208966	HEATER, TRADESMAN 400+ "ULTRA", LB WHITE
Heating & Hearth	Heaters	LB White Heaters	WORKMAN 100N PLUS	1211706	HEATER, WORKMAN 100N PLUS,LB WHITE, N/G
Heating & Hearth	Heaters	LB White Heaters	WORKMAN 225 PLUS	1211707	HEATER, WORKMAN 225 PLUS, LB WHITE,LP
Heating & Hearth	Heaters	Reznor Unit Heaters	CC1-4"	1543652	KIT, CC1-4, HORIZONTAL VENT,
Heating & Hearth	Heaters	Rinnai Direct Vent Accessories	204000045	1547687	KIT, 204000045, RINNAI, WALL THERMOSTAT
Heating & Hearth	Heaters	Rinnai Direct Vent Accessories	RHFE-FOT102	1509237	KIT, FOT-102, RINNAI,EXTENSION,FOR ES3
Heating & Hearth	Heaters	Rinnai Direct Vent Accessories	RHFE-FOT103	1509238	KIT, FOT-103, RINNAI,FOR ES38,EXTENSION
Heating & Hearth	Heaters	Rinnai Direct Vent Accessories	RHFE-FOT114	1509239	KIT,FOT-114, RINNAI, FOR ES38, EXTENSIO
Heating & Hearth	Heaters	Rinnai Direct Vent Accessories	RHFE-FOT115	1509236	KIT,FOT-115,RINNAI, FOR ES38,EXTENSION
Heating & Hearth	Heaters	Rinnai Direct Vent Accessories	RHFE-FOT150-S	1509626	VENT, FOT-150S, RINNAI, ALL DV MODELS
Heating & Hearth	Heaters	Rinnai Direct Vent Accessories	RHFE-FOT151-A	1509627	KIT, FOT-151-A, RINNAI, FOR 431FA,556
Heating & Hearth	Heaters	Rinnai Direct Vent Accessories	RHFE-FOT152-B	1509628	KIT, FOT-152B, RINNAI,ALL DV MODELS
Heating & Hearth	Heaters	Rinnai Direct Vent Accessories	RHFE-FOT153-C	1509686	KIT, FOT-153C,RINNAI, ALL DV MODELS
Heating & Hearth	Heaters	Rinnai Direct Vent Accessories	RHFE-FOT154-D	1509687	KIT, RHFE-FOT-154D, RINNAI,ALL DV MODELS
Heating & Hearth	Heaters	Rinnai Direct Vent Accessories	RHFE-FOT155	1509688	VENT, FOT-155, RINNAI, EX11C, EXTENSION
Heating & Hearth	Heaters	Rinnai Direct Vent Accessories	RHFE-FOT156	1535372	RINNAI FOT-156, VENT EXTENTION
Heating & Hearth	Heaters	Rinnai Direct Vent Accessories	RHFE-FOT157	1535373	RINNAI FOT157, VENT EXT.
Heating & Hearth	Heaters	Rinnai Direct Vent Accessories	RHFE-FOT158	1509732	KIT, FOT-158, RINNAI, ELBOW, PIPE STOPPE
Heating & Hearth	Heaters	Rinnai Direct Vent Accessories	RHFE-FOT201	1541164	KIT, RHFE-FOT201, RINNAI, EXTENSION,
Heating & Hearth	Heaters	Rinnai Direct Vent Accessories	RHFE-FOT219	1539508	KIT, FOT-219, RINNAI, VENT EXTENSION
Heating & Hearth	Heaters	Rinnai Direct Vent Accessories	RHFE-FOT220	1540674	KIT, FOT-220, RINNAI, VENT EXTENSION
Heating & Hearth	Heaters	Rinnai Direct Vent Accessories	RHFE-FOT221	1539510	KIT, FOT-221,RINNAI, VENT EXT, 60 TO 80"
Heating & Hearth	Heaters	Rinnai DV Heaters	EX08DT	1221944	HEATER,EX08DT,RINNAI,BEIGE,LP,DIRECTVENT
Heating & Hearth	Heaters	Rinnai DV Heaters	EX11DT	1221956	HEATER,EX11DT,RINNAI,LP,DIRECTVENT,BEIGE
Heating & Hearth	Heaters	Rinnai DV Heaters	EX17DT	1221940	HEATER,EX17DT-LP,RINNAI,DV BEIGE
Heating & Hearth	Heaters	Rinnai DV Heaters	EX22DT	1221930	HEATER,EX22DT,RINNAI,BEIGE,DIRECT VENT
Heating & Hearth	Heaters	Rinnai DV Heaters	EX22DTW	1221966	HEATER, EX22DTW, RINNAI, LP, WHITE,
Heating & Hearth	Heaters	Rinnai DV Heaters	EX38DT	1221933	HEATER,EX38DT-LP,RINNAI,BEIGE,DIRCT VENT
Heating & Hearth	Heaters	Rinnai DV Heaters	EX38DTW	1221942	HEATER, EX38DTW, RINNAI, LP, WHITE, DV
Heating & Hearth	Heaters	Rinnai Heater Parts	204000012	1546543	KIT, 204000012, RINNAI, FLAME ROD&GASKET
Heating & Hearth	Heaters	Rinnai Heater Parts	204000013	1546618	KIT,204000013,RINNAI,SPARKER,SENSOR
Heating & Hearth	Heaters	Rinnai Heater Parts	204000018	1547818	KIT,204000018,RINNAI,BURNER FITTING PLAT
Heating & Hearth	Heaters	Rinnai Heater Parts	204000041	1544488	KIT, 204000041, RINNAI, ELECTRODE GASKET
Heating & Hearth	Heaters	Rinnai VF Heaters	FC510	1221278	HEATER,FC510,RINNAI,LP,VF CONVECTOR
Heating & Hearth	Heaters	Rinnai VF Heaters	FC824	1221279	HEATER,FC824,RINNAI,LP,VF CONVECTOR

Line of Business	Category	Item Group	RMI Item #	B2B Item #	Description
Heating & Hearth	HVAC Equipment	Baso Gas Products LLC	K15DA-18H	1543692	THERMOCOUPLE, K15DA-18H, JOHNSON CONTROL
Heating & Hearth	HVAC Equipment	Baso Gas Products LLC	K16BT-18	1507946	THERMOCOUPLE, K16BT-18, JOHNSON, 18"
Heating & Hearth	HVAC Equipment	Baso Gas Products LLC	K16BT-24	1507947	THERMOCOUPLE, 24", HUSKY K16BT-24 JOHNSO
Heating & Hearth	HVAC Equipment	Baso Gas Products LLC	K16BT-36	1507948	THERMOCOUPLE, K16BT-36, JOHNSON, 36"
Heating & Hearth	HVAC Equipment	Baso Gas Products LLC	Y70AA-2C	1544100	GREASE,Y70AA-2C, GAS VALVE
Heating & Hearth	HVAC Equipment	Honeywell Controls	Q313A1188	1546962	THERMOPILE,Q313A1188,HONEYWELL,750 mV
Heating & Hearth	HVAC Equipment	Humphrey & Falks Gas Lights	F-2703	1537338	GAS LIGHT, F-2703, FALKS, LP, INDOOR LGH
Heating & Hearth	HVAC Equipment	Humphrey & Falks Gas Lights	F-2705	1539655	LIGHT, F-2705, FALKS, DOUBLE WALL
Heating & Hearth	HVAC Equipment	Humphrey & Falks Gas Lights	F-2707	1525649	PENDENT, 2707, DOUBLE CEILING, SINGLE
Heating & Hearth	HVAC Equipment	Humphrey & Falks Gas Lights	H-9 ALMOND	1508862	LIGHT, H-9, HUMPHREY INDOOR GAS,ALMOND
Heating & Hearth	HVAC Equipment	Humphrey & Falks Gas Lt Parts	F-#4 GLOBE	1540046	GLOBE, 4-GLOBE, FALKS, #4
Heating & Hearth	HVAC Equipment	Humphrey & Falks Gas Lt Parts	F-M3769	1534399	MANTEL, F-M-3769, GALAXY GAS. PREFORME
Heating & Hearth	HVAC Equipment	Humphrey & Falks Gas Lt Parts	L24-15	1545271	SEAL, L24-15, HUMPHREY, FOR 9, 9T SERIES
Heating & Hearth	HVAC Equipment	Robert-Shaw	10-038	1515535	ADAPTOR, 10-038, THEMOCOUPLE TEST,
Heating & Hearth	HVAC Equipment	Robert-Shaw	10-114	1512560	ORIFICE, 10-114, ROBERTSHAW, .010 LP GAS
Heating & Hearth	HVAC Equipment	Robert-Shaw	10-210	1516056	ORIFICE, 10-210, LP 1/4",ROBERTSHAW,.016
Heating & Hearth	HVAC Equipment	Robert-Shaw	10-211	1539249	ORIFICE,10-211,LP 1/4", ROBERTSHAW, .011
Heating & Hearth	HVAC Equipment	Robert-Shaw	1720-801	1506290	VALVE, 1720-801, ROBERT SHAW, SAFETY,
Heating & Hearth	HVAC Equipment	Robert-Shaw	1810-100	1506352	ASSEMBLY, 1810-100,-ROBERT SHAW, PILOT-
Heating & Hearth	HVAC Equipment	Robert-Shaw	1820-009	1506353	ASSEMBLY, 1820-009, ROBERT SHAW, PILOT
Heating & Hearth	HVAC Equipment	Robert-Shaw	1820-019	1506354	ASSEMBLY, 1820-019, ROBERT SHAW, PILOT
Heating & Hearth	HVAC Equipment	Robert-Shaw	1830-110	1506356	ASSEMBLY, 1830-110, ROBERT SHAW, PILOT
Heating & Hearth	HVAC Equipment	Robert-Shaw	1830-111	1533948	PILOT KIT, 1830-111, ROBERTSHAW, 25 DEGR
Heating & Hearth	HVAC Equipment	Robert-Shaw	1830-113	1535432	KIT, 1830-113,ROBERTSHAW, PILOT
Heating & Hearth	HVAC Equipment	Robert-Shaw	1950-001	1506423	THERMOPILE, 1950-001, ROBERTSHAW, 32",
Heating & Hearth	HVAC Equipment	Robert-Shaw	1950-002	1506375	THERMOPILE, 1950-002, ROBERTSHAW,
Heating & Hearth	HVAC Equipment	Robert-Shaw	1950-532	1524701	THERMOPILE, 1950-532, ROBERT SHAW
Heating & Hearth	HVAC Equipment	Robert-Shaw	1951-001	1506424	THERMOPILE, 1951-001, ROBERTSHAW, 36",
Heating & Hearth	HVAC Equipment	Robert-Shaw	1951-536	1506425	THERMOPILE, 1951-536, ROBERTSHAW, 36",
Heating & Hearth	HVAC Equipment	Robert-Shaw	1960-027	1524235	THERMOCOUPLE,1960-27, ROBERT-SHAW, 24",
Heating & Hearth	HVAC Equipment	Robert-Shaw	1970-018	1507926	THERMOCOUPLE, 1970-018, ROBERT SHAW, 18"
Heating & Hearth	HVAC Equipment	Robert-Shaw	1970-024	1507927	THERMOCOUPLE, 1970-24, ROBERT SHAW, 24",
Heating & Hearth	HVAC Equipment	Robert-Shaw	1970-048	1507929	THERMOCOUPLE, 1970-48, ROBERT SHAW, 48",
Heating & Hearth	HVAC Equipment	Robert-Shaw	1970-060	1507930	THERMOCOUPLE, 1970-60, ROBERT SHAW, 60",
Heating & Hearth	HVAC Equipment	Robert-Shaw	1980-018	1507931	THERMOCOUPLE, 1980-018, ROBERT SHAW, 18"
Heating & Hearth	HVAC Equipment	Robert-Shaw	1980-024	1507932	THERMOCOUPLE, 1980-024, ROBERT-SHAW, 24"
Heating & Hearth	HVAC Equipment	Robert-Shaw	1980-030	1506385	THERMOCOUPLE, 1980-030, ROBERT SHAW, 30
Heating & Hearth	HVAC Equipment	Robert-Shaw	1980-036	1507933	THERMOCOUPLE,1980-036, ROBERT SHAW, 36"
Heating & Hearth	HVAC Equipment	Robert-Shaw	1980-048	1507934	THERMOCOUPLE, 1980-48, ROBERT SHAW, 48",
Heating & Hearth	HVAC Equipment	Robert-Shaw	1980-072	1538582	THERMOCOUPLE,1980-72, ROBERT SHAW, 72",
Heating & Hearth	HVAC Equipment	Robert-Shaw	41-204	1506359	IGNITOR, 41-204, ROBERT SHAW, PILOT
Heating & Hearth	HVAC Equipment	Robert-Shaw	41-205	1506361	IGNITOR, 41-205, ROBERT SHAW, RANGE
Heating & Hearth	HVAC Equipment	Robert-Shaw	41-401	1506343	IGNITOR, 41-401, ROBERT SHAW, FURNACE
Heating & Hearth	HVAC Equipment	Robert-Shaw	41-402	1506397	IGNITOR, 41-402, ROBERTSHAW, FURNACE
Heating & Hearth	HVAC Equipment	Robert-Shaw	41-403	1532200	IGNITOR, 41-403, ROBERTSHAW, HSI IGNITOR
Heating & Hearth	HVAC Equipment	Robert-Shaw	41-404	1524255	IGNITOR, 41-404, ROBERT SHAW, HEATING
Heating & Hearth	HVAC Equipment	Robert-Shaw	41-405	1532212	IGNITOR, 41-405, ROBERTSHAW, HSI IGNITOR
Heating & Hearth	HVAC Equipment	Robert-Shaw	41-406	1506436	IGNITOR, 41-406, ROBERTSHAW,
Heating & Hearth	HVAC Equipment	Robert-Shaw	41-407	1532236	IGNITOR HOT SURFACE 41-407 ROBERTSHAW
Heating & Hearth	HVAC Equipment	Robert-Shaw	41-408	1506345	IGNITOR, 41-408, ROBERT SHAW, FURNACE
Heating & Hearth	HVAC Equipment	Robert-Shaw	41-409	1532226	IGNITOR, 41-409, ROBERTSHAW, HSI IGNITOR
Heating & Hearth	HVAC Equipment	Robert-Shaw	41-410	1537630	IGNITOR, 41-410, ROBERT SHAW, HEATING
Heating & Hearth	HVAC Equipment	Robert-Shaw	41-411	1533397	IGNITOR, 41-411, ROBERTSHAW, IGNITOR 41-
Heating & Hearth	HVAC Equipment	Robert-Shaw	41-412	1537631	IGNITOR, 41-412, ROBERTSHAW, IGNITOR
Heating & Hearth	HVAC Equipment	Robert-Shaw	41-414	1537092	IGNITOR, 41-414, ROBERTSHAW,HOT SURFACE
Heating & Hearth	HVAC Equipment	Robert-Shaw	4590-817	1539581	NUT, 4590-817, COMPRESSION, 1/4" EXTENDE
Heating & Hearth	HVAC Equipment	Robert-Shaw	700-503	1506315	VALVE, 700-503, ROBERT SHAW, MILLIVOLT,
Heating & Hearth	HVAC Equipment	Robert-Shaw	700-505	1506410	VALVE, 700-505, ROBERTSHAW,MILLIVOLT,
Heating & Hearth	HVAC Equipment	Robert-Shaw	700-511	1506364	VALVE, 700-511, ROBERTSHAW, GAS HEATING,
Heating & Hearth	HVAC Equipment	Robert-Shaw	720-079	1506414	PILOT, 720-079, ROBERTSHAW, INTERMITTANT
Heating & Hearth	HVAC Equipment	Robert-Shaw	720-400	1506405	VALVE, 720-400, ROBERTSHAW,24Vw/UNI-KIT
Heating & Hearth	HVAC Equipment	Robert-Shaw	720-402	1506311	VALVE, 720-402, ROBERT SHAW, 24V. GAS
Heating & Hearth	HVAC Equipment	Robert-Shaw	720-474	1506312	VALVE, 720-474, ROBERT SHAW,STEP OPEN 2
Heating & Hearth	HVAC Equipment	Single wall pipe	3X24-26	1520472	PIPE, 3X24-26 3IN X24IN GALVANIZED
Heating & Hearth	HVAC Equipment	Single wall pipe	3X90DE-26	1537559	ELBOW, 3X90DE-26, 3"90-DEG 26GA
Heating & Hearth	HVAC Equipment	Single wall pipe	4X24-26	1520471	PIPE, 4X24-26, 4IN X 24IN GALVANIZED, VE
Heating & Hearth	HVAC Equipment	Single wall pipe	4X90DE-26	1503864	ELBOW, 4X90DE-26, 4"90-DEG 26GA
Heating & Hearth	HVAC Equipment	Single wall pipe	5X24-26	1520482	PIPE,5x24-26, SIMPSON DURAVENT, 5INX24IN
Heating & Hearth	HVAC Equipment	Single wall pipe	6BLACKCOLLAR	1503631	COLLAR, 6BLACKCOLLAR, SIMPSON DURAVENT
Heating & Hearth	HVAC Equipment	Single wall pipe	7BLACKCOLLAR	1503964	COLLAR, 7BLACKCOLLAR, SIMPSON DURAVENT
Heating & Hearth	HVAC Equipment	Single wall pipe	8BLACKCOLLAR	1503965	COLLAR, 8BLACKCOLLAR, SIMPSON DURAVENT
Heating & Hearth	HVAC Equipment	Tjernlund & Field Controls	VP-2F	1546747	VENT,VP-2F-1,TJERNLUND,WATER HEATER KIT
Heating & Hearth	Outdoor	Campchef	EX-60LW	1527477	STOVE, EX-60LW, CAMP CHEF, EXPLORER II

Line of Business	Category	Item Group	RMI Item #	B2B Item #	Description
Heating & Hearth	Venting	FasNSeal & Foil/Mesh Wraps	FSCMKI03	1549107	VENT PIPE,FSCMK3,SD,4IN INNER DIA, KIT
Heating & Hearth	Venting	FasNSeal & Foil/Mesh Wraps	FSELB9003	1549108	VENT,FSELB9003,SD,90DEG ELBOW,3IN
Heating & Hearth	Venting	Simpson Aluminum Liners	3DFA-25	1540281	LINER, 3DFA-25, EMPIRE,
Heating & Hearth	Venting	Simpson Aluminum Liners	4DFA-35	1540787	LINER, 4DFA-35, SIMPSON DURA, 4"X35FT
Heating & Hearth	Venting	Simpson B-Vent	4BVT	1549555	TEE,4BVT,SIMPSON DURA-VENT,4" ,BV/GV PIPE
Heating & Hearth	Venting	Simpson B-Vent	6GVL45	1503396	ELBOW, 6GVL45, SIMPSON DURA-VENT, 6",
Heating & Hearth	Venting	Simpson B-Vent	7GVL45	1503397	ELBOW, 7GVL45, SIMPSON DURA-VENT, 7",
Heating & Hearth	Venting	Simpson B-Vent	8GVL45	1503398	ELBOW, 8GVL45, SIMPSON DURA-VENT, 8",
Heating & Hearth	Venting	Simpson B-Vent	8GVTC	1503410	TEE CAP, 8GVTC, SIMPSON DURA-VENT, 8",
Heating & Hearth	Venting	Simpson Direct Vent	46DVA-06B	1542804	PIPE, 46DVA-06B, SIMPSON DURA, 6" BLACK
Heating & Hearth	Venting	Simpson Direct Vent	46DVA-08AB	1538293	VENT, 46DVA-08AB, SIMPSON DURA,
Heating & Hearth	Venting	Simpson Direct Vent	46DVA-09B	1542805	PIPE, 46DVA-09B, SIMPSON DURA, 9" BLACK
Heating & Hearth	Venting	Simpson Direct Vent	46DVA-12	1539955	PIPE, 46DVA-12, SIMPSON DURA,12", GALVIN
Heating & Hearth	Venting	Simpson Direct Vent	46DVA-12B	1538290	PIPE, 46DVA-12B, SIMPSON DURA,12"BLACK
Heating & Hearth	Venting	Simpson Direct Vent	46DVA-16A	1540330	PIPE, 46DVA-16A, SIMPSON DURA,
Heating & Hearth	Venting	Simpson Direct Vent	46DVA-16AB	1541934	VENT,46DVA-16AB,SIMPSON DURAVENT,ADJUST
Heating & Hearth	Venting	Simpson Direct Vent	46DVA-17TAB	1543295	VENT,46DVA-17TAB,SIMPSON DURAVENT
Heating & Hearth	Venting	Simpson Direct Vent	46DVA-18B	1546756	VENT, 46DVA-18B, SIMPSON DURA, 18" PIPE
Heating & Hearth	Venting	Simpson Direct Vent	46DVA-24	1539956	VENT, 46DVA-24, SIMPSON DURA, 24" PIPE
Heating & Hearth	Venting	Simpson Direct Vent	46DVA-24B	1538380	VENT, 46DVA-24B, SIMPSON DURA, 24" PIPE
Heating & Hearth	Venting	Simpson Direct Vent	46DVA-24TAB	1543296	VENT,46DVA-24TAB ,SIMPSON DURAVENT
Heating & Hearth	Venting	Simpson Direct Vent	46DVA-36	1540675	VENT, 46DVA-36, SIMPSON DURA, 36" PIPE
Heating & Hearth	Venting	Simpson Direct Vent	46DVA-36B	1543851	VENT,46DVA-36B,SIMPSON DURAVENT
Heating & Hearth	Venting	Simpson Direct Vent	46DVA-48B	1542589	PIPE, 46DVA-48B,SIMPSON DURAVENT,
Heating & Hearth	Venting	Simpson Direct Vent	46DVA-60	1547003	VENT,46DVA-60,S/D,4" x 6-5/8",GALVANIZED
Heating & Hearth	Venting	Simpson Direct Vent	46DVA-60B	1549441	VENT,46DVA-60B,DURAVENT,4X6X60,
Heating & Hearth	Venting	Simpson Direct Vent	46DVA-CL33	1547639	ILINER,46DVA-CL33,DURAVENT,4" INNER DIAM
Heating & Hearth	Venting	Simpson Direct Vent	46DVA-CS	1542591	BOX, 46DVA-CS, SIMPSON DURA,CEILING
Heating & Hearth	Venting	Simpson Direct Vent	46DVA-DC	1538384	COLLAR, 46DVA-DC, SIMPSON DURA, CEILING
Heating & Hearth	Venting	Simpson Direct Vent	46DVA-E45	1539954	ELBOW, 46DVA-E45, SIMPSON DURA, GALVANIZ
Heating & Hearth	Venting	Simpson Direct Vent	46DVA-E45B	1542588	ELBOW, 46DVA-E45B,SIMPSON DURAVENT,
Heating & Hearth	Venting	Simpson Direct Vent	46DVA-E90	1539952	ELBOW, 46DVA-E90, SIMPSON DURA, GALVANIZ
Heating & Hearth	Venting	Simpson Direct Vent	46DVA-E90B	1538291	ELBOW, 46DVA-E90B, SIMPSON DURA, DIRECT
Heating & Hearth	Venting	Simpson Direct Vent	46DVA-F12	1538382	FLASHING, 46DVA-F12, SIMPSON DURA, 12/12
Heating & Hearth	Venting	Simpson Direct Vent	46DVA-F6	1542590	FLASHING,46DVA-F6,SIMPSON DURA,0/1-6/12
Heating & Hearth	Venting	Simpson Direct Vent	46DVA-GCL	1545623	CONNECTOR, 46DVA-GCL, SIMPSON DURA, APPL
Heating & Hearth	Venting	Simpson Direct Vent	46DVA-H2	1545706	CAP, 46DVA-H2, SIMPSON DURAVENT, HORIZ,
Heating & Hearth	Venting	Simpson Direct Vent	46DVA-HC	1538294	CAP, 46DVA-HC, SIMPSON DURAVENT
Heating & Hearth	Venting	Simpson Direct Vent	46DVA-KHC	1541933	KIT,46DVA-KHC,SIMPSON DURAVENT,DIRECT VE
Heating & Hearth	Venting	Simpson Direct Vent	46DVA-KMC	1540786	KIT,46DVA-KMC, SIMPSON DURAVENT, MASONAR
Heating & Hearth	Venting	Simpson Direct Vent	46DVA-SC	1538383	COLLAR, 46DVA-SC, SIMPSON DURA, STORM
Heating & Hearth	Venting	Simpson Direct Vent	46DVA-SNK36	1541301	CAP, 46DVA-SNK36, SIMPSON DURAVENT,
Heating & Hearth	Venting	Simpson Direct Vent	46DVA-VCH	1538381	KIT, 46DVA-VCH, SIMPSON DURA, ROOF TERM
Heating & Hearth	Venting	Simpson Direct Vent	46DVA-VSS	1542907	SHIELD, 46DVA-VSS,SIMP DURAVENT,VINYL
Heating & Hearth	Venting	Simpson Direct Vent	46DVA-WS	1549442	BRACKET,46DVA-WS,DURAVENT,4X6 5/8
Heating & Hearth	Venting	Simpson Direct Vent	46DVA-WT	1544322	WALL THIMBLE, 46DVA-WT, SIMPSON DURA,
Heating & Hearth	Venting	Simpson Direct Vent	58DVA-06	1538240	VENT, 58DVA-06, SIMPSON DURAVENT
Heating & Hearth	Venting	Simpson Direct Vent	58DVA-08A	1538239	VENT, 58DVA-08A, SIMPSON DURAVENT,
Heating & Hearth	Venting	Simpson Direct Vent	58DVA-16A	1538336	VENT, 58DVA-16A,SIMP DURAVENT,ADJUSTABLE
Heating & Hearth	Venting	Simpson Direct Vent	58DVA-24	1538238	VENT, 58DVA-24, SIMPSON DURAVENT
Heating & Hearth	Venting	Simpson Direct Vent	58DVA-36	1538333	VENT, 58DVA-36,SIMP DURAVENT, 36" LENGHT
Heating & Hearth	Venting	Simpson Direct Vent	58DVA-48	1538334	VENT, 58DVA-48,SIMP DURAVENT, 48" LENGHT
Heating & Hearth	Venting	Simpson Direct Vent	58DVA-60	1538335	VENT, 58DVA-60,SIMP DURAVENT, 60" LENGHT
Heating & Hearth	Venting	Simpson Direct Vent	58DVA-E45	1538332	VENT, 58DVAE45, SIMP DURAVENT, 45 ELBOW
Heating & Hearth	Venting	Simpson Direct Vent	58DVA-E90	1538241	VENT, 58DVAE90, SIMP DURAVENT, 90 ELBOW
Heating & Hearth	Venting	Simpson Direct Vent	58DVA-F6	1538337	VENT, 58DVA-F6,SIMP DURAVENT, FLASHING
Heating & Hearth	Venting	Simpson Direct Vent	58DVA-HC	1538242	VENT, 5DVA-HC,SIMP DURAVENT, HORIZONTAL
Heating & Hearth	Venting	Simpson Direct Vent	58DVA-SC	1538339	VENT, 58DVA-SC,SIMP DURAVENT, STORM
Heating & Hearth	Venting	Simpson Direct Vent	58DVA-VCH	1538338	VENT, 58DVA-VCH,SMP DURAVENT,CAP



ALL Products by Category



Line of Business	Category	Item Group	RMI Item #	B2B Item #	Description
Heating & Hearth	Water Heaters	Rinnai Cond Wtr & Boilr Ventng	223181	1540703	KIT,223181,HORIZONTAL TERMINATION, 11.
Heating & Hearth	Water Heaters	Rinnai Cond Wtr & Boilr Ventng	223182	1540422	KIT, 223182, RINNAI, ALL WEATHER
Heating & Hearth	Water Heaters	Rinnai Cond Wtr & Boilr Ventng	223184	1540705	TERMINATION,223184,WALL DISCHARGE 21
Heating & Hearth	Water Heaters	Rinnai Cond Wtr & Boilr Ventng	229032	1549303	KIT, 229032,RINNAI,TERMINATION, 21"
Heating & Hearth	Water Heaters	Rinnai Cond Wtr & Boilr Ventng	224077PP	1540149	ELBOW,224077PP, RINNAI, CONDENSING 45 DE
Heating & Hearth	Water Heaters	Rinnai Cond Wtr & Boilr Ventng	224078PP	1540148	ELBOW,224078PP,RINNAI,CONDENSING 90 DEG
Heating & Hearth	Water Heaters	Rinnai Cond Wtr & Boilr Ventng	224079PP	1540611	VENT,224079PP,RINNAI,CONDENSING,19.5"
Heating & Hearth	Water Heaters	Rinnai Cond Wtr & Boilr Ventng	224080PP	1540145	KIT,224080PP, RINNAI, EXTENSION, 39" VEN
Heating & Hearth	Water Heaters	Rinnai Cond Wtr & Boilr Ventng	224087PP	1540147	PIPE, 224087PP, RINNAI, EXTENSION,
Heating & Hearth	Water Heaters	Rinnai Water Heater parts	804000068	1548129	SERVICE KIT,804000068,RINNAI,4K HOUR
Heating & Hearth	Water Heaters	Rinnai Water Heater parts	805000026	1545237	FUSE,805000026,RINNAI,5 AMP
Heating & Hearth	Water Heaters	Rinnai Water Heaters	RE180EP	1221924	HEATER,RE180eP,RINNAI,LP,TANKLESS,CONC
Heating & Hearth	Water Heaters	Rinnai Water Heaters	RE180IP	1221926	HEATER,RE180iP,RINNAI,LP,TANKLESS,CONC
Heating & Hearth	Water Heaters	Rinnai Water Heaters	RL94IN	1220184	HEATER, RL94I NAT GAS, RINNAI,INTERNAL
Heating & Hearth	Water Heaters	Rinnai Water Heaters	RL94IP	1219997	HEATER, RL94I LP, RINNAI, INTERNAL TWH
Heating & Hearth	Water Heaters	Rinnai Water Htr Accessories	169044	1523065	CLAMP, 169044, RINNAI CONTINUUM, PIPE,
Heating & Hearth	Water Heaters	Rinnai Water Htr Accessories	184119	1533140	PIPE, 184119, RINNAI CONTINUUM, ROOF DIS
Heating & Hearth	Water Heaters	Rinnai Water Htr Accessories	222053	1540226	TRAP, 222053, RINNAI, CONDENSATION KIT
Heating & Hearth	Water Heaters	Rinnai Water Htr Accessories	223187	1540706	KIT, 223187,WALL DISCHARGE DIVERTER
Heating & Hearth	Water Heaters	Rinnai Water Htr Accessories	224042	1540911	BUG GUARD,224042,RINNAI, UNIVERSAL
Heating & Hearth	Water Heaters	Rinnai Water Htr Accessories	224046	1537837	SNORKEL KIT,224046, RINNAI,IADJ VENT TERM
Heating & Hearth	Water Heaters	Rinnai Water Htr Accessories	224050	1523067	PIPE, 224050, RINNAI CONTINUUM, 2 - 45D
Heating & Hearth	Water Heaters	Rinnai Water Htr Accessories	224051	1523068	EXTENSION, 224051, RINNAI CONTINUUM, 10"
Heating & Hearth	Water Heaters	Rinnai Water Htr Accessories	224052	1523069	EXTENSION, 224052,RINNAI CONTINUUM,19.5"
Heating & Hearth	Water Heaters	Rinnai Water Htr Accessories	224053	1523070	EXTENSION, 224053, RINNAI CONTINUUM, 39"
Heating & Hearth	Water Heaters	Rinnai Water Htr Accessories	224054	1537833	VENT, 224054,RINNAI,TELESCOPING,2.2"-12"
Heating & Hearth	Water Heaters	Rinnai Water Htr Accessories	224063	1523071	ELBOW, 224063, RINNAI CONTINUUM, 90D,
Heating & Hearth	Water Heaters	Rinnai Water Htr Accessories	224069	1523073	DRAIN, 224069, RINNAI CONTINUUM, CONDENS
Heating & Hearth	Water Heaters	Rinnai Water Htr Accessories	710342	1537835	WALL PLATE, 710342, RINNAI,WHITE RUBBER
Heating & Hearth	Water Heaters	Rinnai Water Htr Accessories	184118-S	1540235	TERMINAL, 184118S,RINNAI CONTINUUM, ROOF



# B2B Cross Reference Guide

## Products by LP Catalog Page #







Catalog Section	Page #	RMI Part #	B2B Item #	Description
Fisher Compact First Stage Regulators	8	R122H-AAJ	1528309	REGULATOR, R122H-AAJ, FISHER, 1 STAGE
Fisher Full Size First Stage Regulators	8	R622H-BGJ	1526690	REGULATOR, R622H-BGJ, FISHER, 1-STAGE,
Fisher Full Size First Stage Regulators	8	R622H-BGK	1526691	REGULATOR, R622H-BGK, FISHER, 1/2 X 1/2
Fisher Full Size First Stage Regulators	8	R622H-HGJ	1526693	REGULATOR, R622H-HGJ, FISHER, POL X 1/2
Fisher Full Size First Stage Regulators	8	R622H-HGK	1533591	REGULATOR, R622H-HGK, FISHER, 1ST STAGE
Fisher Full Size First Stage Regulators	8	R622H-JGJ	1526694	REGULATOR, R622H-JGJ, FISHER, 10 PSI,
Fisher Full Size First Stage Regulators	8	R622H-JGK	1526695	REGULATOR, R622H-JGK, FISHER,
Fisher Compact Second Stage Regulators	9	R622H-DGJ	1526692	REGULATOR, R622H-DGJ, FISHER, 1-STAGE,
Fisher Full Size Second Stage Regulators	9	R222-BAF	1534412	REGULATOR, R222-BAF, FISHER,
Fisher Full Size Second Stage Regulators	9	R622-BCF	1526679	REGULATOR, R622-BCF, FISHER, 1/2 X 1/2
Fisher Full Size Second Stage Regulators	9	R622-CFF	1526683	REGULATOR, R622-CFF, FISHER, 1/2 X 3/4
Fisher Full Size Second Stage Regulators	9	R622-CFFXA	1526685	REGULATOR, R622-CFFXA, FISHER, 1/2 X 3/4
Fisher Full Size Second Stage Regulators	9	R622-CFFXB	1533587	REGULATOR, R622-CFFXB, FISHER, 2ND STAGE
Fisher Full Size Second Stage Regulators	9	R622-DFF	1526687	REGULATOR, R622-DFF, FISHER, 2ND STAGE,
Fisher Full Size Second Stage Regulators	9	R642-DFF	1534258	REGULATOR, R642-DFF, FISHER,
Fisher Full Size Second Stage Regulators	9	R652-CFF	1533595	REGULATOR, R652-CFF, FISHER, 2ND STAGE
Fisher Compact Integral Two Stage Regulators	10	R232A-BBF	1541843	REGULATOR, R232A-BBF, FISHER, COMPACT
Fisher Compact Integral Two Stage Regulators	10	R232A-BBFXA	1542103	REGULATOR, R232A-BBFXA, FISHER, 2ND STAGE
Fisher Compact Integral Two Stage Regulators	10	R232A-HBF	1542323	REGULATOR, R232A-HBF, FISHER, INTERGRAL
Fisher Compact Integral Two Stage Regulators	10	R652-DFF	1526697	REGULATOR, R652-DFF, FISHER, 2ND STAGE
Fisher Full Size Integral Two Stage Regulators	10	R232A-HBFXA	1542366	REGULATOR, R232A-HBFXA, FISHER, 2ND STAGE
Fisher Full Size Integral Two Stage Regulators	10	R632A-BCF	1541904	REGULATOR, R632A-BCF, FISHER, 1/4FNPT INLET
Fisher Full Size Integral Two Stage Regulators	10	R632A-BCFXA	1542071	REGULATOR, R632A-BCFXA, FISHER, TWO STAGE
Fisher Full Size Integral Two Stage Regulators	10	R632A-CFF	1541905	REGULATOR, R632A-CFF, FISHER, 1/4FNPT INLET
Fisher Full Size Integral Two Stage Regulators	10	R632A-CFFXA	1548417	REGULATOR, R632A-CFFXA, FISHER, 1/4" INLET
Fisher Full Size Integral Two Stage Regulators	10	R632A-HCF	1541984	REGULATOR, R632A-HCF, FISHER, INTREGAL
Fisher Full Size Integral Two Stage Regulators	10	R632A-JFF	1541863	REGULATOR, R632A-JFF, FISHER, POL X 3/4 NPT
Fisher Compact Integral 2PSI Regulators	11	R232E-BBH	1542385	REGULATOR, R232E-BBH, FISHER, 2 PSI
Fisher Compact Integral 2PSI Regulators	11	R652E-DFH	1533596	REGULATOR, R652E-DFH, FISHER, 2 PSI
Fisher Full Size Integral 2PSI Regulators	11	R232E-HBH	1541898	REGULATOR, R232E-HBH, FISHER, 2 PSI
Fisher Full Size Integral 2PSI Regulators	11	R632E-BCH	1544703	REGULATOR, R632E-BCH, FISHER, 2PSI 2-STAGE
Fisher Full Size Integral 2PSI Regulators	11	R632E-HCH	1544338	REGULATOR, R632E-HCH, FISHER, 2PSI, RESIDENT
Fisher Full Size Integral 2PSI Regulators	11	R632E-JFH	1541985	REGULATOR, R632E-JFH, FISHER, 2 PSI
Fisher Second Stage 2PSI Regulators	11	R622E-BCH	1526688	REGULATOR, R622E-BCH, FISHER, 2PSI, 1/2"
Fisher Second Stage 2PSI Regulators	11	R622E-DCH	1526689	REGULATOR, R622E-DCH, FISHER, 3/4" INLET
67C Kits	12	67CH-150	1533600	REGULATOR, 67CH-150, FISHER, MPOL X 9/16
67C Kits	12	67CH-90	1533604	REGULATOR, 67CH-90, FISHER, 67CH-743 WITH
67C Kits	12	67CW-62	1533609	REGULATOR, 67CW-62, FISHER, 50-135 PSI
67C Series	12	67CD-101	1533597	REGULATOR, 67CD-101, FISHER, ADJUSTABLE
67C Series	12	67CD-102	1533598	REGULATOR, 67CD-102, FISHER, ADJUSTABLE
67C Series	12	67CD-103	1533599	REGULATOR, 67CD-103, FISHER, ADJUSTABLE
67C Series	12	67CH-741	1533480	REGULATOR, 67CH-741, FISHER, 50-135 PSI
67C Series	12	67CH-742	1533479	REGULATOR, 67CH-742, FISHER, 30-60 PSI
67C Series	12	67CH-743	1528162	REGULATOR, 67CH-743, FISHER, 0-35 PSI
67C Series	12	67CN-104	1533605	REGULATOR, 67CN-104, FISHER, NON
67C Series	12	67CN-105	1533606	REGULATOR, 67CN-105, FISHER, NON
67C Series	12	67CN-106	1533607	REGULATOR, 67CN-106, FISHER, NON
67C Series	12	67CW-683	1538541	REGULATOR, 67CW/683, FISHER, HIGH PRESSURE
67C Series	12	67CW-684	1533610	REGULATOR, 67CW-684, FISHER, ADJUSTABLE
67C Series	12	67CW-685	1533611	REGULATOR, 67CW-685, FISHER, ADJUSTABLE
67C Series	12	67CW-701	1533612	REGULATOR, 67CW-701, FISHER, ADJUSTABLE
64 Series Regulators	13	64-222	1504899	REGULATOR, 64/222, FISHER, 64/33 W/35-10
64 Series Regulators	13	64-33	1504896	REGULATOR, 64/33, FISHER, HIGH PRESSURE,
64 Series Regulators	13	64-35	1504897	REGULATOR, 64/35, FISHER, HIGH PRESSURE,
64 Series Regulators	13	64-36	1504898	REGULATOR, 64/36, FISHER, HIGH PRESSURE,
64 Series Regulators	13	64SR-21	1504900	REGULATOR, 64SR/21, FISHER, 1/2 X 1/2 NPT
64 Series Regulators	13	64SR-22	1504901	REGULATOR, 64SR/22, FISHER, 64SR/21
64 Series Regulators	13	64SR-23	1504902	REGULATOR, 64SR/23, FISHER, W/5-35 PSI
627, 630, & 99 Series Regulators	14	627-5810	1533617	REGULATOR, 627/5810, FISHER, 1ST STAGE
627, 630, & 99 Series Regulators	14	627-6210	1533618	REGULATOR, 627-6210, FISHER, 1ST STAGE
627, 630, & 99 Series Regulators	14	627-7710	1533619	REGULATOR, 627/7710, FISHER, 1ST STAGE
627, 630, & 99 Series Regulators	14	627R-117	1528268	REGULATOR, 627R-117, FISHER, COMMERCIAL
627, 630, & 99 Series Regulators	14	627R-197	1533484	REGULATOR, 627R-197, FISHER, COMMERCIAL
627, 630, & 99 Series Regulators	14	630-104-78	1505024	REGULATOR, 630-104-78, FISHER, 1-STAGE,
627, 630, & 99 Series Regulators	14	99-512P	1504985	REGULATOR, 99-512P, FISHER, 2 - 10 PSI
627, 630, & 99 Series Regulators	14	99-515P	1538041	REGULATOR, 99-515P, FISHER, HIGH PRESSURE
627, 630, & 99 Series Regulators	14	99-901PH	1546842	REGULATOR, 99-901PH, FISHER, 2" HP PILOT REG
Commercial Low Pressure Regulators	15	CS200IR-6EC3	1540467	REGULATOR, CS200IR-6EC3, FISHER,
Commercial Low Pressure Regulators	15	CS200IR-6EC6	1542313	REGULATOR, CS200IR-6EC6, FISHER,
Commercial Low Pressure Regulators	15	CS400IR-8EC6	1540041	REGULATOR, CS400IR-8EC6, FISHER, 2-STAGE,
Commercial Low Pressure Regulators	15	CS400IR-8EC7	1539912	REGULATOR, CS400IR-8EC7, FISHER
Commercial Low Pressure Regulators	15	CS400IR-8EC8	1539973	REGULATOR, CS400IR-8EC8, FISHER
Commercial Low Pressure Regulators	15	CS800IR-8CC7	1541808	REGULATOR, CS800IR-8CC7, FISHER, 1-1/2"
Commercial Low Pressure Regulators	15	CS800IR-8CC8	1542929	REGULATOR, CS800IR-8CC8, FISHER, 2"
Commercial Low Pressure Regulators	15	CS820IR-8HC8	1541219	REGULATOR, CS820IR-8HC8, FISHER,
HSRL Series Regulators	15	HSRL-BFC	1528156	REGULATOR, HSRL-BFC, FISHER, COMMERCIAL
HSRL Series Regulators	15	HSRL-CFC	1527914	REGULATOR, HSRL-CFC, FISHER, 1" NPT,



Catalog Section	Page #	RMI Part #	B2B Item #	Description
Monitor Regulators	17	627M-267	1546606	REGULATOR, 627M-267, FISHER,
Monitor Regulators	17	627M-421	1533485	REGULATOR, 627M-421, FISHER,
Monitor Regulators	17	627M-471	1542643	REGULATOR, 627M-471, FISHER,
Monitor Regulators	17	99-504PHM	1542586	REGULATOR, 99-504PHM, FISHER, MONITOR
Typical Monitor System Examples	17	627-5810	1533617	REGULATOR, 627/5810, FISHER, 1ST STAGE
Typical Monitor System Examples	17	627-6210	1533618	REGULATOR, 627-6210, FISHER, 1ST STAGE
Typical Monitor System Examples	17	627-7710	1533619	REGULATOR, 627/7710, FISHER, 1ST STAGE
Typical Monitor System Examples	17	627M-267	1546606	REGULATOR, 627M-267, FISHER,
Typical Monitor System Examples	17	627M-421	1533485	REGULATOR, 627M-421, FISHER,
Typical Monitor System Examples	17	630-104-78	1505024	REGULATOR, 630-104-78, FISHER, 1-STAGE,
Typical Monitor System Examples	17	99-504PHM	1542586	REGULATOR, 99-504PHM, FISHER, MONITOR
Fisher Vapor Relief Valves	18	1805-19P	1539626	VALVE, 1805-19P, FISHER, RELIEF, 1"
Fisher Vapor Relief Valves	18	289H-2	1505018	VALVE, 289H-2, FISHER, RELIEF, 2 NPT,
MEC Compact First Stage Regulators	19	MEGR-1122H-AAJ	1548569	REGULATOR, MEGR-1122H-AAJ, MEC, COMPACT
MEC Compact First Stage Regulators	19	MEGR-1222H-BGF	1545901	REGULATOR, MEGR-1222H-BGF, MEC, COMPACT
MEC Compact First Stage Regulators	19	MEGR-1222H-BGFXB	1545903	REGULATOR, MEGR-1222H-BGFXB, MEC, COMPACT
MEC Full Size First Stage Regulators	20	MEGR-1622H-BGJ	1544023	REGULATOR, MEGR-1622H-BGJ, MEC, FULL SIZE
MEC Full Size First Stage Regulators	20	MEGR-1622H-DGJ	1544037	REGULATOR, MEGR-1622H-DGJ, MEC, FULL SIZE
MEC Full Size First Stage Regulators	20	MEGR-1622H-HGJ	1544024	REGULATOR, MEGR-1622H-HGJ, MEC, FULL SIZE
MEC Full Size First Stage Regulators	20	MEGR-1622H-HGK	1545905	REGULATOR, MEGR-1622H-HGK, MEC, FULL SIZE
MEC Full Size First Stage Regulators	20	MEGR-1622H-JGJ	1544025	REGULATOR, MEGR-1622H-JGJ, MEC, FULL SIZE
MEC Full Size First Stage Regulators	20	MEGR-1622H-JGK	1545906	REGULATOR, MEGR-1622H-JGK, MEC, FULL SIZE
MEC Compact Second Stage Regulators	22	MEGR-1222-BAF	1544015	REGULATOR, MEGR-1222-BAF, MEC, COMPACT
MEC Full Size Second Stage Regulators	22	MEGR-1622-BCF	1544018	REGULATOR, MEGR-1622-BCF, MEC, FULL SIZE
MEC Full Size Second Stage Regulators	22	MEGR-1622-CFF	1544019	REGULATOR, MEGR-1622-CFF, MEC, FULL SIZE
MEC Full Size Second Stage Regulators	22	MEGR-1622-DFF	1544020	REGULATOR, MEGR-1622-DFF, MEC, FULL SIZE
MEC Full Size Second Stage Regulators	22	MEGR-1642-DFF	1545907	REGULATOR, MEGR-1642-DFF, MEC, 2ND, FULL
MEC Full Size Second Stage Regulators	22	MEGR-1652-CFF	1544030	REGULATOR, MEGR-1652-CFF, MEC, FULL SIZE
MEC Full Size Second Stage Regulators	22	MEGR-1652-DFF	1544032	REGULATOR, MEGR-1652-DFF, MEC, FULL SIZE
MEC 2 PSI Integral Two Stage Regulators	23	MEGR-1232E-BBH	1545914	REGULATOR, MEGR-1232E-BBH, MEC, COMPACT
MEC 2 PSI Integral Two Stage Regulators	23	MEGR-1232E-HBH	1545915	REGULATOR, MEGR-1232E-HBH, MEC, COMPACT
MEC 2 PSI Integral Two Stage Regulators	23	MEGR-1632E-BCH	1545916	REGULATOR, MEGR-1632E-BCH, MEC, TWIN
MEC 2 PSI Integral Two Stage Regulators	23	MEGR-1632E-CFH	1545918	REGULATOR, MEGR-1632E-CFH, MEC, TWIN
MEC 2 PSI Integral Two Stage Regulators	23	MEGR-1632E-HCH	1545917	REGULATOR, MEGR-1632E-HCH, MEC, TWIN
MEC 2 PSI Integral Two Stage Regulators	23	MEGR-1632E-JFH	1545919	REGULATOR, MEGR-1632E-JFH, MEC, TWIN
MEC 2 PSI Second Stage Regulators	23	MEGR-1622E-BCH	1544021	REGULATOR, MEGR-1622E-BCH, MEC, FULL SIZE
MEC 2 PSI Second Stage Regulators	23	MEGR-1622E-DCH	1544022	REGULATOR, MEGR-1622E-DCH, MEC, FULL SIZE
MEC 2 PSI Second Stage Regulators	23	MEGR-1652E-DFH	1544033	REGULATOR, MEGR-1652E-DFH, MEC, FULL SIZE
MEC Compact Integral Two Stage Regulators	24	MEGR-1232-BBF	1544016	REGULATOR, MEGR-1232-BBF, MEC, COMPACT TWIN
MEC Compact Integral Two Stage Regulators	24	MEGR-1232-HBF	1544017	REGULATOR, MEGR-1232-HBF, MEC, COMPACT
MEC Full-Size Integral Two Stage Regulators	24	MEGR-1632-BCF	1544026	REGULATOR, MEGR-1632-BCF, MEC, FULL SIZE
MEC Full-Size Integral Two Stage Regulators	24	MEGR-1632-CFF	1544027	REGULATOR, MEGR-1632-CFF, MEC, FULL SIZE
MEC Full-Size Integral Two Stage Regulators	24	MEGR-1632-HCF	1544028	REGULATOR, MEGR-1632-HCF, MEC, FULL SIZE
MEC Full-Size Integral Two Stage Regulators	24	MEGR-1632-JFF	1544029	REGULATOR, MEGR-1632-JFF, MEC, FULL SIZE
MEC Domestic Automatic Changeover Regulators	25	MEGR-175CS61222-BAF	1544038	REGULATOR, MEGR-175CS61222-BAF, MEC
MEC Domestic Automatic Changeover Regulators	25	MEGR-175CS61622-BCF	1544036	REGULATOR, MEGR-175CS61622-BCF, MEC
MEGR-164 Series High Pressure Adjustable Regulators	26	MEGR-164SR/23	1545721	REGULATOR, MEGR-164SR/23, MEC, 1/2" FNPT x 1
MEGR-1627/1630 Series First Stage Commercial & Industrial Regulators	27	MEGR-1627M/471	1545446	REGULATOR, MEGR-1627M/471, MARSH EXCEL,
MEGR-6120 Series High Pressure Adjustable Regulators	29	MEGR-6120-30	1545743	REGULATOR, MEGR-6120-30, MEC, 0-30PSI - 1/4
MEGR-1HSRL/CS/S Series Low Pressure Commercial & Industrial Regulators	30	MEGR-1HSRL-BFC	1544034	REGULATOR, MEGR-1HSRL-BFC, MEC, HOUSE SERV
MEGR-1HSRL/CS/S Series Low Pressure Commercial & Industrial Regulators	30	MEGR-1HSRL-CFC	1544035	REGULATOR, MEGR-1HSRL-CFC, MEC, HOUSE SERV
MEGR-1HSRL/CS/S Series Low Pressure Commercial & Industrial Regulators	30	MEGR-S1202G-BNC	1544040	REGULATOR, MEGR-S1202G-BNC, MEC, SECOND
MEGR-1289H Series Vapor Back Pressure Relief Valves	31	MEGR-1289H/49	1544043	REGULATOR/RELEIF, MEGR-1289H/49, 1", 15-
Fisher "Little Joe" Regulators	32	912-101	1504973	REGULATOR, 912/101, FISHER, FOR SMALL
Fisher "Little Joe" Regulators	32	912-122	1520230	REGULATOR, APPLI, 912/122, FISHER,
N5 Regulator	34	NSB-0750-S-VL0375	1549577	REGULATOR, NSB-0750-S-VL0375, NORGAS,
Maxitrol 325 Series Line Regulators	36	325-3L-1/2	1543642	REGULATOR, 325-3L-1/2, MAXITROL, 1/2"
Maxitrol 325 Series Line Regulators	36	325-5AL-1	1539710	REGULATOR, 325-5AL-1, MAXITROL, LP
Maxitrol 325 Series Line Regulators	36	325-5AL-1/2	1540910	REGULATOR, 325-5AL-1/2, MAXITROL, LP
Maxitrol 325 Series Line Regulators	36	325-5AL-3/4	1537643	REGULATOR, 325-5AL-3/4, MAXITROL, LP
Maxitrol 325 Series Line Regulators	36	325-7AL-1.25	1540661	REGULATOR, 325-7AL-1.25, MAXITROL, LP
Maxitrol Gas Appliance Regulators	36	RV47L-1/2	1524350	REGULATOR, RV47L-1/2 LP, MAXITROL
Maxitrol Gas Appliance Regulators	36	RV47L-3/8	1545874	REGULATOR, RV47L-3/8 LP, MAXITROL
Maxitrol Gas Appliance Regulators	36	RV48L-1/2	1524682	REGULATOR, RV48L-1/2, MAXITROL, LP
Maxitrol Gas Appliance Regulators	36	RV48L-3/4	1524351	REGULATOR, MAXRV48L-3/4 LP, MAXITROL,
Maxitrol Gas Appliance Regulators	36	RV52-1/2	1540634	REGULATOR, RV52L-1/2, MAXITROL, LP
Maxitrol Gas Appliance Regulators	36	RV52-3/4	1545291	REGULATOR, RV52L-3/4, MAXITROL, LP
Maxitrol Gas Appliance Regulators	36	RV53-1	1545292	REGULATOR, RV53-1, MAXITROL, LP
Maxitrol Gas Appliance Regulators	36	RV53-3/4	1535841	REGULATOR, RV53-3/4, MAXITROL, LP
Maxitrol Gas Appliance Regulators	36	RV91-2	1540023	REGULATOR, RV91-2, MAXITROL,
Vent Limiter for Maxitrol Regulators	36	12A04	1540637	VENT, 12A04, LIMITER, FOR MAXITROL
Vent Limiter for Maxitrol Regulators	36	12A09	1524326	VENT, 12A09, LIMITER, FOR MAXITROL
Vent Limiter for Maxitrol Regulators	36	12A39	1512217	LIMITER, 12A39, MAXITROL, SAFETY VENT
Vent Limiter for Maxitrol Regulators	36	12A49	1540664	LIMITER, 12A49, MAXITROL, SAFETY VENT
Vent Limiter for Maxitrol Regulators	36	13A15	1545949	PROTECTOR, 13A15, VENT, 1/8"
Vent Limiter for Maxitrol Regulators	36	13A15-5	1541431	COVER, 13A15-5, VENT



Catalog Section	Page #	RMI Part #	B2B Item #	Description
Pigtails and Hogtails	37	1660-20	1508344	PIGTAIL,1660-20, M/E,POL X POL,20",1/4,
Pigtails and Hogtails	37	1660-30	1539500	PIGTAIL,1660-30,MEC,30",POLXPOL,1 1/8"HEX
Pigtails and Hogtails	37	1660-48	1534438	PIGTAIL,1660-48,MEC, POLXPOL,48" 1 1/8
Pigtails and Hogtails	37	1661-20	1506565	PIGTAIL, 1661-20, MARSH EXCEL,POLX1/4INV
Pigtails and Hogtails	37	1661-30	1538091	PIGTAIL, 1661-30, MARSHALL EXCEL
Pigtails and Hogtails	37	1662-12	1508522	PIGTAIL,1662-12,MEC,POL X POL,12",1/4"OD
Pigtails and Hogtails	37	1662-20	1534443	PIGTAIL, 1662-20, MEC,POLXPOL,20",7/8 HE
Pigtails and Hogtails	37	1662-48	1534496	PIGTAIL,1662-48,MARSH EXCEL, POL X POL
Pigtails and Hogtails	37	1663-20	1540633	PIGTAIL,1663-20, MEC,POLX 1/4INV FL,20"
Pigtails and Hogtails	37	1664-12	1541436	PIGTAIL,1664-12,MEC,POL X POL,12",1/4"OD
Pigtails and Hogtails	37	1669-12	1520624	PIGTAIL,1669-12,MEC,POLX1/4MNPT,12"
Pigtails and Hogtails	37	1669-20	1508883	PIGTAIL,1669-20,MEC,POL X 1/4"MNPT,20"
Pigtails and Hogtails	37	1680-12	1508365	HOGTAIL, 1680-12,MEC,POL X POL,12",
Pigtails and Hogtails	37	1680-20	1533706	HOGTAIL, 1680-20, MARSHALL EXCELSIOR
Pigtails and Hogtails	37	ME1662D-12	1543393	PIGTAIL,1662D-12,MEC,POLXPOL,12",DIELECT
Pigtails and Hogtails	37	ME1664D-20	1541840	PIGTAIL,1664D-20,MEC,POLX POL,12",1/4"OD
Pigtails and Hogtails	37	ME1669D-12	1541837	PIGTAIL,1669-12D,MEC,POLX1/4MNPT,12"
Pigtails and Hogtails	37	ME1669D-20	1541838	PIGTAIL,1669-20D,MEC,POLX1/4MNPT,20"
Flexible Hose Pigtails	38	MER403-24	1541415	PIGTAIL,MER403-24,MEC,POL X 1/4 INV FL,
MEC Flex Vent Kit	38	ME960-120	1540676	KIT, ME960-120, MARSHALL EXCEL, FLEX
MEC Flex Vent Kit	38	ME960-120C	1542749	KIT,ME960-120C, MEC,FLEX VENT RELOCATION
MEC Flex Vent Kit	38	ME960-36	1541215	KIT,ME960-36,MARSH EXCEL,VENT RELOCATION
MEC Flex Vent Kit	38	ME960-48	1541217	KIT,ME960-48,MARSH EXCEL,VENT RELOCATION
MEC Flex Vent Kit	38	ME960-72	1541218	KIT,ME960-72,MARSH EXCEL,VENT RELOCATION
Mounting Brackets	38	MEGR-100C	1545969	BRACKET, MEGR-100C, MEC, UNIVERSAL
Mounting Brackets	38	P100A	1505551	BRACKET, P100A, FISHER, TRIANGULAR, FOR
Regulator Covers	38	H-200P	1534660	COVER, H-200P, 2ND STAGE REGULATOR,
Tee Manifolds	38	1700B	1538566	BLOCK, 1700B, TEE, 1/4" NO CHECK
Tee Manifolds	38	1701A	1505526	TEE, 1701A, BLOCK, 138M, FPOL X MPOL,
Tee Manifolds	38	1702A	1504686	CHECK, 1702A, MARSHALL, TEE, 1 1/8 HEX
Tee Manifolds	38	1702B	1534651	BLOCK, 1702B, MARSHALL EXCEL, TEE,
Vent Assemblies	38	VENT-1	1524059	VENT, VENT-1, UPSCO
Vent Assemblies	38	VENT-3/4	1528250	VENT, VENT-3/4, UPSCO, 3/4 FNPT
Vent Assemblies	38	Y602-5	1504863	ASSEMBLY, Y602-5, FISHER, ANGLE VENT,
Vent Assemblies	38	Y602-7	1504865	ASSEMBLY, Y602-7, FISHER, ANGLE VENT,
Vent Assemblies	38	Y602-8	1504866	ASSEMBLY, Y602-8, FISHER, Y602-7 W/STABI
Vent Assemblies	38	Y602-9	1504867	ASSEMBLY, Y602-9, FISHER, ANGLE VENT,
Commercial & Industrial Meters	39	AC-630TC-CF	1540865	METER,AC-630RC-CF,AMERICAN
Commercial & Industrial Meters	39	AL-1000TC-CF	1537901	METER, AL1000TC-CF, AMERICAN
Commercial & Industrial Meters	39	AL-800TC-CF	1517112	METER, AL-800-TC-CF, AMERICAN
Meter Connection Sets	39	SWIVELSET-425	1548167	REPLACEMENT PART,SWIVELSET-425,FOR AL425
Residential Meters	39	AC-250TC-CF	1517034	METER, AC-250TC-CF, TOP MOUNT
Residential Meters	39	AM-250TC-CF	1512077	METER, AM-250TC-CF, 3/4 SIDE MOUNT
Common Vapor Meter Replacement Parts	40	INDEX-10#/425	1540089	COMP INDEX, 10#, FOR AL-425
Common Vapor Meter Replacement Parts	40	INDEX-10#/800	1545975	INDEX,10#/800,COMP INDEX FOR AL-800/100
Locking Service Valves with Insulated Union	40	LD-7115	1512903	LOCK, LD-7115, COVER, FOR LV-8050 VALVES
Locking Service Valves with Insulated Union	40	LV-8050-100	1543782	VALVE, LV-8050-100,3/4"INSULATED LOCKIN
Locking Service Valves with Insulated Union	40	LV-8050-34	1512086	VALVE, LV-8050-34, 3/4" INSULATED LOCKIN
Regulator/Meter Brackets	40	UMB-525-H	1537344	BRACKET, UMB-525-H, METER KIT, 5 1/2"X 8
Regulator/Meter Brackets	40	UMB-525-H114	1502009	BRACKET, UMB-525-H114, FOR METER
Regulator/Meter Brackets	40	UMB-525-N200	1548430	BRACKET,UMB-525-N200,2-1/2",U BOLT
Meter Bars	41	MB-730	1515742	BAR, MB-730,METER/20LT METER CONNECTIO
Meter Bars	41	MB-740	1517032	METER BAR, MB740, AMERICAN
Multiple Meter Bar Assembly	41	MB-701-2	1534428	ASSEMBLY, MB-701-2, DOUBLE METER BAR
Multiple Meter Bar Assembly	41	MB-701-3	1528210	ASSEMBLY, MB-701-3, METER BAR
Prefab Regulator Assemblies	41	RP-750	1505680	ASSEMBLY, RP-750, REGULATOR, PREFAB
Prefab Regulator Assemblies	41	RPM-MB-750	1512489	ASSEMBLY, RPM-MB-750, REGULATOR
Prefab Regulator Assemblies	41	RPM-MB-750A	1537548	ASSEMBLY, RPM-MB-750A, REGULATOR
Poly Coated Tracer Wire	42	12-1	1534415	WIRE, 12-1, SINGLE STRAND TRACER,
Poly Coated Tracer Wire	42	12-1-CCS	1541166	WIRE, 12-1CCS, COPPERHEAD TRACER
Poly Coated Tracer Wire	42	14-1	1537618	WIRE, 14-1, TRACER, 14 GAUGE POLY
Poly Coated Tracer Wire	42	14-1-CCS	1542377	WIRE, 14-1-CCS, TRACER, 14 GAUGE,
Polyethylene Pipe	42	PE2406-100	1506713	PIPE, PE, 1" IPS, ORDER IN 500 FT
Polyethylene Pipe	42	PE2406-100-150	1548909	PIPE, PE, 1" IPS, ORDER IN 150 FT
Polyethylene Pipe	42	PE2406-100CTS	1506848	PIPE, PE, 1" CTS, ORDER IN 500 FT QTY
Polyethylene Pipe	42	PE2406-114	1506714	PIPE,PE,1 1/4"IPS, 500 FT ROLL, 170LBS,
Polyethylene Pipe	42	PE2406-12	1506711	PIPE, PE, 1/2" IPS,ORDER IN 500FT QTYS
Polyethylene Pipe	42	PE2406-12CTS	1506847	PIPE, PE, 1/2"CTS, ORDER IN 500 FT QTY
Polyethylene Pipe	42	PE2406-200	1506933	PIPE, PE2406-200, PERFECTION, 2"IPS POLY
Polyethylene Pipe	42	PE2406-200-250	1506905	PIPE, PLASTIC, 2"IPS, 250 FT COIL
Polyethylene Pipe	42	PE2406-34	1506712	PIPE, PE, 3/4" IPS,ORDER IN 500FT QTYS
Polyethylene Pipe	42	PE2406-34-250	1534471	PIPE, PE, 3/4" IPS,ORDER IN 250FT QTYS
Marking Equipment	43	78-004	1542378	FLAG, 78-004, YELLOW, MARKING, 4XSINCH,
Marking Equipment	43	CST-3	1537999	TAPE, 3", YELLOW, CAUTION SAFETY
Marking Equipment	43	GT-3	1518395	TAPE, GT-3, METALLIC LOCATOR, ROLL
Marking Equipment	43	NT-3	1534414	TAPE, NT-3, NON-METALLIC, LOCATOR, ROLL
Shovel Barrier	43	SB-325	1549709	BARRIER,SB-325,SHOVELBARRIER,325',TRACER
Tracer Spacer	43	TSR050	1544875	CLIP,TSR050,1/2 CTS, TRACER SPACER
Tracer Spacer	43	TSR100	1544876	CLIP,TSR100,3/4 AND 1" IPS,TRACER SPACER
Tracer Spacer	43	TSR125	1544877	CLIP,TSR125,1 1/4"IPS, TRACER SPACER
Tracer Spacer	43	TSR200	1544878	CLIP,TSR200,2" IPS, TRACER SPACER



Catalog Section	Page #	RMI Part #	B2B Item #	Description
Perfection Flexible Risers	44	71160	1547297	RISER,71160,PERFECTION,36" FLEX,1" CTS,
Perfection Flexible Risers	44	71271	1542138	RISER,71271,PERFECTION,SERVI-SERT
Perfection Flexible Risers	44	71353	1542708	RISER, 71353, PERFECTION,
Perfection Flexible Risers	44	71355	1506845	RISER, 71355, PERFECTION, 3/4 X 1/2CTS
Perfection Flexible Risers	44	71356	1506846	RISER, 71356, PERFECTION, 3/4 X 1/2 CTS
Perfection Flexible Risers	44	71410	1507076	RISER, 71410, PERFECTION,3/4"
Perfection Flexible Risers	44	71411	1527584	RISER, 71411, PERFECTION, 3/4", 60"
Perfection Flexible Risers	44	71412	1526894	RISER, 71412,PERFECTION,3/4 X 3/4IPS,84"
Perfection Flexible Risers	44	71463	1538257	RISER, 71463, PERFECTION, STUB FLEX
Perfection Flexible Risers	44	71600	1507091	RISER, 71600,PERFECTION,PERMASERT
Perfection Flexible Risers	44	71721	1506992	RISER,71721,3/4 X 3/4,SERVI-SERT
Perfection Flexible Risers	44	71731	1507013	RISER, 71731, PERFECTION, 1" X 1" IPS
Perfection Anodeless Risers	45	TF-100X100	1506902	FITTING, TF-100X100, TRANSITION
Perfection Anodeless Risers	45	TF-12X12	1517174	FITTING, TF-12X12, PERMASERT, TRANSITION
Perfection Anodeless Risers	45	TF-12X12CTS	1539385	FITTING, TF-12X12CTS, PERMASERT, TRANS
Perfection Anodeless Risers	45	TF-200X200	1540799	TRANSITION, TF-200X200, PERFECTION,
Perfection Anodeless Risers	45	TF-300X300	1518439	FITTING, TF-300X300, 3" TRANSITION
Perfection Anodeless Risers	45	TF-34X100CTS	1538150	FITTING, TF-34X100 CTS, TRANSITION
Perfection Anodeless Risers	45	TF-34X12	1546634	TRANSITION,700401,3/4"MX1/2"IPS,TF-34X12
Perfection Anodeless Risers	45	TF-34X12CTS	1534472	TRANSITION,TF34x12CTS,PERF 700205,18"
Perfection Anodeless Risers	45	TF-34X34	1507006	FITTING,TF-34X34,TRANSITION,700802,
Perfection Anodeless Risers	45	TRA-100X100	1545295	RISER,TRA-100X100,ANODELESS,30 X 24
Perfection Anodeless Risers	45	TRA-100X100CTS	1545294	RISER,TRA-100X100CTS,ANODELESS,30 X 24
Perfection Anodeless Risers	45	TRA-114X114	1540798	RISER, TRA-114X114, 1 1/4 IPS, FUSION
Perfection Anodeless Risers	45	TRA-200X200	1507104	RISER, TRA-200X200, 2" IPS, FUSION
Perfection Anodeless Risers	45	TRA-300X300	1507096	TRANSITION, TRA300X300, 3" 90 DEGREE
Perfection Anodeless Risers	45	TRA-34X12	1507889	RISER,TRA-34X12,PERFECTION,79036
Perfection Anodeless Risers	45	TRA-34X34	1507071	RISER, TRA-3/4X3/4,PERFECTION,79353,
Perfection Permasert Risers	45	PG75901	1548134	RISER, PG75901, PERFECTION,
Perfection Permasert Risers	45	PG75906	1548214	RISER,PG75906,PERFECTION,2"IPS,ANODELESS
Perfection Permasert Risers	45	PG77120	1548289	RISER, PG77120, PERFECTION,
Perfection Permasert Risers	45	PG78442	1548277	RISERS,PG78442,PERFECTION,1"X1"IPS,
Perfection Permasert Risers	45	PG79354	1548291	RISER,PG79354,3/4 X 3/4IPS,PERFECTION
Perfection Permasert Risers	45	PM77181	1548136	RISER,PM77181,PERFECTION,3/4"IPSX1/2"CTS
Perfection Permasert Risers	45	PM77195	1549047	RISER,PM77195,PERFECTION,3/4IPSX1/2CTS
Perfection Permasert Risers	45	PM77205	1548183	RISER,PM77205,PERFECTION,1/2 MPTX1/2CTS
Perfection Permasert Risers	45	PM77253	1548347	RISER, 30",PM77253, PERFECTION, 1/2CTS,
Permasert Mechanical Couplings	46	PC50030	1548137	COUPLING,PC50030,PERFECTION, 3/4 IPS
Permasert Mechanical Couplings	46	PC50035010	1548179	COUPLING,PC50035010,PERFECTION,1 1/4"IPS
Permasert Mechanical Couplings	46	PC50100	1548146	COUPLING, PC50100, PERFECTION,1/2" CTS,
Permasert Mechanical Couplings	46	PC50314	1548180	COUPLING,PC50314,PERFECTION, 2" IPS
Permasert Mechanical Couplings	46	PC50601	1548144	COUPLING,PC50601,PERFECTION,1 IPS,
Permasert Mechanical Couplings	46	PC50701	1548148	COUPLING, PC50701A,PERFECTION,1/2 IPS,
Permasert Reducing Couplings	46	PC50149	1549142	COUPLING,PC50149, PERFECTION, REDUCER,
Permasert Reducing Couplings	46	PC50195010	1548357	COUPLING,PC50195010,PERFECTION,REDUCING
Permasert Reducing Couplings	46	PC50343010	1548205	COUPLING,PC50343010,PERFECTION,1-1/4"x1"
Permasert Reducing Couplings	46	PC50641	1548970	COUPLING,PC50641,PERFECTION,1/2CTSX1"IPS
Permasert Reducing Couplings	46	PC50751	1549261	COUPLING,PC50751,PERFECTION,1/2CTSX1/2IPS
Permasert Reducing Couplings	46	PC50756	1548597	COUPLING,PC50756,PERFECTION,REDUCING
Permasert Reducing Couplings	46	PC50969	1548181	COUPLING, PC50969,PERFECTION,1/2"CTS, R
Permasert Reducing Couplings	46	PC51432	1548348	COUPLING,PC51432,PERFECTION,1"X 3/4"IPS
Permasert Repair Couplings	46	PC50056	1548139	COUPLING,PC50056,PERFECTION,1/2" CTS
Permasert Repair Couplings	46	PC50175	1548143	COUPLING,PC50175,PERFECTION,3/4"IPS
Permasert Repair Couplings	46	PC50740	1548579	COUPLING,PC50740,PERFECTION,1/2" IPS RE
Permasert XL Large Diameter Mechanical Couplings	46	55131	1541107	COUPLER,55131,PERFECTION,3",



Catalog Section	Page #	RMI Part #	B2B Item #	Description
Coppersert Transition Couplings	47	PS41002	1548219	COUPLING, PS41002,PERFECTION,
Coppersert Transition Couplings	47	PS41007	1548251	COUPLING,PC41007, 1/2" CTS X 3/8"OD,
Coppersert Transition Couplings	47	PS41013	1548138	COUPLING,PS41013,PERF, 1/2CTSx1/2OD,
Permalock Self-Tapping 2.0 Mechanical Outlet Tees	47	PL55702	1548474	TEE, PL55702, PERFECTION ,2"SELF TAPPING
Permalock Self-Tapping 2.0 Mechanical Outlet Tees	47	PL55901	1548581	TEE, PL55901, PERFECTION, PERMALOCK
Permasert Blind End Caps & Stubs	47	PC50016	1548356	END-CAP,PC50016,1/2"CTS X 3/4"CTS,PERFEC
Permasert Blind End Caps & Stubs	47	PC50026	1548217	CAP, PC50026,PERFECTION, 3/4 IPS
Permasert Blind End Caps & Stubs	47	PC50033	1549516	END-CAP, PC50033, PERFECTION, 1 1/4" IPS
Permasert Blind End Caps & Stubs	47	PC50317	1548210	END-CAP,PC50317, PERFECTION, 2"IPS
Permasert Blind End Caps & Stubs	47	PC50716	1548211	CAP,PC50716,PERFECTION,1/2 IPS
Permasert Reducing Tees	47	PC50451	1549517	TEE, PC50451, PERFECTION, REDUCING,
Permasert Reducing Tees	47	PC50461	1548216	TEE, PC50461,PERFECTION,
Permasert Reducing Tees	47	PC50632	1548206	TEE,PC50632,PERFECTION,1IPsx1/2CTS,
Permasert Reducing Tees	47	PC50635	1548287	TEE, PC50635, PERFECTION, 1"X1"X3/4"IPS
Permasert Reducing Tees	47	PC51325	1548580	TEE,PC51325,PERFECTION,1 1/4X1 1/4X 3,
Permasert Tees	47	PC50199	1548140	TEE, PC50199,PERFECTION, 1/2CTS
Permasert Tees	47	PC50316	1548252	TEE, PC50316, PERFECTION,2"IPS 3 WAY
Permasert Tees	47	PC50327010	1548283	TEE,PC50327010, PERFECTION, 1 1/4" IPS,
Permasert Tees	47	PC50634	1548145	TEE, PC50634, PERFECTION, 1 IPS,3-WAY,
Permasert Tees	47	PC50730100	1548279	TEE, PC50730100, PERMASERT, 3 WAY,1/2IPS
Permasert Tees	47	PC50929	1548141	TEE, PC50929, PERFECTION, 3/4 IPS, 3-WAY
Handley Curb Boxes for Underground Valves	48	445-L	1524563	BOX, 445-L, PERFECTION, 2", CURB
Handley Curb Boxes for Underground Valves	48	445-S	1518386	BOX, 445-S, PERFECTION,1/2-1 1/4 CURB A
Permasert 2.0 Chamfer Tools	48	58501	1548197	TOOL,58501,PERFECTION,CHAMFERING,1/2"IPS
Permasert 2.0 Chamfer Tools	48	58503	1547773	TOOL,58503,PERFECTION,CHAMFERING,3/4IPS
Permasert 2.0 Chamfer Tools	48	58504	1548198	TOOL,58504,PERFECTION,CHAMFERING,1"CTS
Permasert 2.0 Chamfer Tools	48	58505	1547970	TOOL, 58505,PERFECTION,CHAMFERING,1 IPS
Permasert 2.0 Chamfer Tools	48	58507	1548199	TOOL, 58507,PERFECTION,CHAMFER,1 1/4"IPS
Permasert 2.0 Chamfer Tools	48	58509	1548200	TOOL,58509,PERFECTION,CHAMFER,2"IPS
Permasert 90-Degree Elbow Coupling	48	PC50315	1548209	ELBOW,PC50315,PE, 2" IPS,PERFECTION
Permasert 90-Degree Elbow Coupling	48	PC50325010	1548284	ELBOW, PC50325010, 1 1/4" IPS,PERFECTION
Permasert 90-Degree Elbow Coupling	48	PC50636	1548159	ELBOW,PC50636,PERFECTION,1" IPS,2.0
Permasert 90-Degree Elbow Coupling	48	PC50732100	1548207	ELBOW,PC50732100,PERFECTION,1/2 IPS
Permasert 90-Degree Elbow Coupling	48	PC51620	1548142	ELBOWS, PC51620,PERFECTION, 3/4 IPS,
Permasert Shut-Off Valves	48	PV45100	1548582	VALVE,PV45100, PERFECTION, SHUTOFF, 3/4"
Riser Brackets	48	74506	1549434	BRACKET,74506,PERFECTION,4" OFFSET
Plastic Pipe Shut-Off Tool	51	77XXXX	1545091	SHUT OFF,77XXXX,WHEELER,3/8-2",
Shears	51	BLADE	1548537	BLADE, REPLACEMENT FOR SHEARS,1/2-1 1/4
Shears	51	BLADE-2	1548538	BLADE-2,REPLACEMENT FOR SHEARS-2,1/2-2"
Shears	51	SHEARS	1506903	CUTTER,SHEARS,1/2"-1 1/4" PLASTIC PIPE
Shears	51	SHEARS-2	1524307	SHEARS, SHEARS-2, 1/2"-2" PLASTIC PIPE
Copper Stopper Termination Flange	55	71900	1537511	FLANGE, 71900, KAMCO,TERMINATION,COPPER
Copper Tubing Shield	55	SSP300	1534691	SHIELD, SSP300-3FT, PROTECTIVE, COPPER
Copper Tubing Shield	55	SSP400	1547874	SHIELDS,SSP400,COPPER TUBING,4', PROTECT
Gas-Kit Masonry Kit	55	GK-135	1534442	KIT, GK-135, GAS KIT CO, MASONARY
Tube Clips	55	H24-050	1547919	J-CLIP, H24-050, 1/2" PLASTIC, W/NAIL,
Tube Clips	55	JCL-1	1534493	CLIP, JCL-1, METAL J, FOR 1/2 & 3/8
Tube Clips	55	JCL-2	1534494	CLIP, JCL-2, METAL J, FOR 5/8 TUBING
SAE Copper Seal Bonnet	57	B1CXXX	1523439	SEAL, B1C, 1/4" SAE, COPPER
SAE Copper Seal Bonnet	57	B1EXXX	1523440	SEAL, B1E, 3/8" SAE, COPPER
SAE Copper Seal Bonnet	57	B1FXXX	1541158	SEAL, B1F, 1/2" SAE, COPPER, BONNET
SAE Copper Seal Bonnet	57	B1IXXX	1541159	SEAL, B1I, 5/8" SAE, COPPER, BONNET
Jomar "Blue Cap" Brass Gas Ball Valves	58	B2002-1/2	1538018	VALVE, B2002-1/2, JOMAR, BALL, GAS,
Jomar "Blue Cap" Brass Gas Ball Valves	58	B2002-3/4	1525246	VALVE, B2002-3/4, JOMAR, BALL, GAS,
Jomar "Blue Cap" Brass Gas Ball Valves	58	B2002-3/8	1534437	VALVE, B2002F-3/8, JOMAR, BRASS BALL
Jomar "Blue Cap" Brass Gas Ball Valves	58	B2002F-1/2	1541684	VALVE, B2002F-1/2, JOMAR, BRASS BALL, GAS
Jomar "Blue Cap" Brass Gas Ball Valves	58	B2002FF-1/2	1515716	VALVE, BALL GAS, B2002FF-1/2, JOMAR.
Jomar "Blue Cap" Brass Gas Ball Valves	58	B2002FF-3/8	1515707	VALVE, B2002FF-3/8, LEGEND, BRASS SHUT
Jomar "Blue Cap" Brass Gas Ball Valves	58	B2002FF-5/8	1525676	VALVE, B2002FF-5/8, JOMAR, BALL
Jomar "Blue Cap" Brass Gas Ball Valves	58	B2002MF-1/2	1512611	VALVE, B2002MF-1/2, JOMAR,BRASS BALL,GAS
Jomar "Blue Cap" Brass Gas Ball Valves	58	B2002MF-3/8	1541683	VALVE, B2002MF-3/8, JOMAR, BRASS BALL
Jomar "Blue Cap" Brass Gas Ball Valves	58	BT2002-1/2	1512177	VALVE, BT2002-1/2, JOMAR, BALL, GAS,
Jomar "Blue Cap" Brass Gas Ball Valves	58	BT2002-3/4	1515972	VALVE, BT2002-3/4, SHUT-OFF
Jomar "Blue Cap" Brass Gas Ball Valves	58	BT2002-3/8	1515971	VALVE, BT2002-3/8, SHUT-OFF
Jomar "Blue Cap" Brass Gas Ball Valves	58	BT2002F-1/2	1534436	VALVE, BT2002F-1/2, JOMAR, BRASS BALL
Jomar "Blue Cap" Brass Gas Ball Valves	58	BT2002FF-1/2	1515687	VALVE, BALL GAS, BT2002FF-1/2, JOMAR.
Jomar "Blue Cap" Brass Gas Ball Valves	58	BT2002FF-3/8	1515974	VALVE, BT2002FF-3/8, SHUT-OFF
Jomar "Blue Cap" Brass Gas Ball Valves	58	BT2002FF-5/8	1512197	SHUTOFF, BT2002FF-5/8, JOMAR

Catalog Section	Page #	RMI Part #	B2B Item #	Description
Stainless Steel Appliance Connectors	59	90-3031	1533925	ADAPTER, 90-3031,1/2MPT,DORMONT
Stainless Steel Appliance Connectors	59	90-3041	1541788	FITTING,90-3041,DORMONT, 5/8FL X 3/4MPT
Stainless Steel Appliance Connectors - 10 Series	59	10-3131-12	1533640	CONNECTOR, 10-3131-12 DORMONT, FLEX GAS
Stainless Steel Appliance Connectors - 10 Series	59	10-3131-18	1533641	CONNECTOR, 10-3131-18,DORMONT, FLEX GAS
Stainless Steel Appliance Connectors - 10 Series	59	10-3131-24	1533642	CONNECTOR, 10-3131-24,DORMONT, FLEX GAS
Stainless Steel Appliance Connectors - 10 Series	59	10-3131-30	1533643	CONNECTOR, 10-3131-30,DORMONT, FLEX GAS
Stainless Steel Appliance Connectors - 10 Series	59	10-3131-36	1533644	CONNECTOR, 10-3131-36,DORMONT, FLEX GAS
Stainless Steel Appliance Connectors - 10 Series	59	10-3131-48	1533645	CONNECTOR, 10-3131-48,DORMONT, FLEX GAS
Stainless Steel Appliance Connectors - 10 Series	59	10-3131-60	1533646	CONNECTOR, 10-3131-60,DORMONT, FLEX GAS
Stainless Steel Appliance Connectors - 10 Series	59	10-3131-72	1533647	CONNECTOR, 10-3131-72,DORMONT, FLEX GAS
Stainless Steel Appliance Connectors - 10 Series	59	10-3132-18	1508921	CONNECTOR, 10-3132-18, DORMONT, WITH
Stainless Steel Appliance Connectors - 10 Series	59	10-3132-24	1508846	CONNECTOR,10-3132-24, DORMONT
Stainless Steel Appliance Connectors - 20 Series	59	20-3131-12	1508900	CONNECTOR, 20-3131-12, DORMONT, 1/2"OD,
Stainless Steel Appliance Connectors - 20 Series	59	20-3131-18	1508901	CONNECTOR, 20-3131-18, DORMONT,
Stainless Steel Appliance Connectors - 20 Series	59	20-3131-24	1508842	CONNECTOR, 20-3131-24, DORMONT, 1/2" MIP
Stainless Steel Appliance Connectors - 20 Series	59	20-3131-30	1533077	CONNECTOR, 20-3131-30, DORMONT, FLEXLINE
Stainless Steel Appliance Connectors - 20 Series	59	20-3131-36	1518413	CONNECTOR, 20-3131-36, DORMONT, FLEXLINE
Stainless Steel Appliance Connectors - 20 Series	59	20-3131-48	1518750	CONNECTOR, 20-3131-48,DORMONT, 1/2" MIPx
Stainless Steel Appliance Connectors - 20 Series	59	20-3131-60	1528228	CONNECTOR, 20-3131-60,DORMONT, 1/2" MIPx
Stainless Steel Appliance Connectors - 20 Series	59	20-3132-12	1508765	CONNECTOR, 20-3132-12, DORMONT,APPLIANCE
Stainless Steel Appliance Connectors - 20 Series	59	20-3132-18	1508766	CONNECTOR, 20-3132-18,DORMONT,APPLIANCE
Stainless Steel Appliance Connectors - 20 Series	59	20-3132-24	1508767	CONNECTOR, 20-3132-24,DORMONT,APPLIANCE
Stainless Steel Appliance Connectors - 20 Series	59	20-3132-30	1508768	CONNECTOR, 20-3132-30, DORMONT, APPLIANCE
Stainless Steel Appliance Connectors - 20 Series	59	20-3132-36	1508769	CONNECTOR, 20-3132-36, DORMONT,APPLIANCE
Stainless Steel Appliance Connectors - 20 Series	59	20-3132-48	1508770	CONNECTOR, 20-3132-48,DORMONT,APPLIANCE
Stainless Steel Appliance Connectors - 20 Series	59	20-3132-60	1508771	CONNECTOR, 20-3132-60, DORMONT,APPLIANCE
Stainless Steel Appliance Connectors - 20 Series	59	20-3132-72	1508772	CONNECTOR, 20-3132-72, DORMONT,APPLIANCE
Stainless Steel Appliance Connectors - 30 Series	59	30-3131-12	1518409	CONNECTOR, 30-3131-12, DORMONT, 1/2"OD,
Stainless Steel Appliance Connectors - 30 Series	59	30-3131-18	1535095	CONNECTOR, 30-3131-18, DORMONT,
Stainless Steel Appliance Connectors - 30 Series	59	30-3131-24	1534433	CONNECTOR, 30-3131-24, APPLIANCE
Stainless Steel Appliance Connectors - 30 Series	59	30-3131-36	1534434	CONNECTOR, 30-3131-36, APPLIANCE
Stainless Steel Appliance Connectors - 30 Series	59	30-3131-48	1534435	CONNECTOR, 30-3131-48, APPLIANCE
Stainless Steel Appliance Connectors - 30 Series	59	30-3131-60	1538876	CONNECTOR, 30-3131-60, DORMONT,
Stainless Steel Appliance Connectors - 30 Series	59	30-3131-72	1512904	CONNECTOR, 30-3131-72, APPLIANCE
Stainless Steel Appliance Connectors - 30 Series	59	30-3132-12	1508751	CONNECTOR, 30-3132-12,DORMONT, APPLIANCE
Stainless Steel Appliance Connectors - 30 Series	59	30-3132-18	1508752	CONNECTOR, 30-3132-18, DORMONT,APPLIANCE
Stainless Steel Appliance Connectors - 30 Series	59	30-3132-24	1508753	CONNECTOR, 30-3132-24, DORMONT,APPLIANCE
Stainless Steel Appliance Connectors - 30 Series	59	30-3132-30	1508754	CONNECTOR, 30-3132-30, DORMONT,APPLIANCE
Stainless Steel Appliance Connectors - 30 Series	59	30-3132-36	1508755	CONNECTOR, 30-3132-36,DORMONT,APPLIANCE
Stainless Steel Appliance Connectors - 30 Series	59	30-3132-48	1508756	CONNECTOR, 30-3132-48, DORMONT,APPLIANCE
Stainless Steel Appliance Connectors - 30 Series	59	30-3132-60	1508757	CONNECTOR, 30-3132-60, DORMONT,APPLIANCE
Stainless Steel Appliance Connectors - 30 Series	59	30-3132-72	1508758	CONNECTOR, 30-3132-72, DORMONT,APPLIANCE
Black Epoxy Coated Stainless Steel Gas Connectors	60	10A-2131-12	1537731	CONNECTOR, 10A-2131-12, DORMONT, GAS
Black Epoxy Coated Stainless Steel Gas Connectors	60	10A-2131-18	1537732	CONNECTOR, 10A-2131-18, DORMONT, GAS
Black Epoxy Coated Stainless Steel Gas Connectors	60	10A-2131-24	1541990	CONNECTOR,10A-2131-24,DORMONT,GAS
Black Epoxy Coated Stainless Steel Gas Connectors	60	20A-2131-12	1541991	CONNECTOR, 20A-2131-12,DORMONT, GAS
Black Epoxy Coated Stainless Steel Gas Connectors	60	20A-2131-18	1541130	CONNECTOR, 20A-2131-18, DORMONT, GAS
Black Epoxy Coated Stainless Steel Gas Connectors	60	20A-2131-24	1541992	CONNECTOR, 20A-2131-24,DORMONT, GAS
Black Epoxy Coated Stainless Steel Gas Connectors	60	20A-2131-36	1548614	CONNECTOR,20A-2131-36,DORMONT,BLACK
Black Epoxy Coated Stainless Steel Gas Connectors	60	20A-2132-18	1541754	CONNECTOR,20A-2132-18,DORMONT
Black Epoxy Coated Stainless Steel Gas Connectors	60	20A-2132-24	1548612	CONNECTOR,20A-2132-24,DORMONT,BLACK
High BTU PVC Coated Appliance Connectors	60	41-4142-24	1508774	CONNECTOR, 41-4142-24,DORMONT
High BTU PVC Coated Appliance Connectors	60	41-4142-36	1508776	CONNECTOR, 41-4142-36, DORMONT
High BTU PVC Coated Appliance Connectors	60	41-4142-48	1508777	CONNECTOR, 41-4142-48, DORMONT
High BTU PVC Coated Appliance Connectors	60	51-5152-24	1508632	CONNECTOR, 51-5152-24, DORMONT
High BTU PVC Coated Appliance Connectors	60	51-5152-36	1508628	CONNECTOR, 50-5152-36, DORMONT
High BTU PVC Coated Appliance Connectors	60	51-5152-48	1508635	CONNECTOR, 51-5152-48, DORMONT
Commercial Moveable Appliance Connectors	61	1650BP-36	1508672	CONNECTOR, 1650BP-36, DORMONT, APPLIANCE
Commercial Moveable Appliance Connectors	61	1650BP-48	1508673	CONNECTOR, 1650BP-48, DORMONT, APPLIANCE
Commercial Moveable Appliance Connectors	61	1650BP-60	1508674	CONNECTOR, 1650BP-60, DORMONT, APPLIANCE
Commercial Moveable Appliance Connectors	61	1650BPQ-3	1508677	CONNECTOR,1650BPQ-36, DORMONT,APPLIANC
Commercial Moveable Appliance Connectors	61	1650BPQ-4	1508678	CONNECTOR, 1650BPQ-48, DORMONT, APPLIANC
Commercial Moveable Appliance Connectors	61	1650BPQ-6	1508680	CONNECTOR, 1650BPQ-72, DORMONT, APPLIANC
Commercial Moveable Appliance Connectors	61	1675BP-3	1508687	CONNECTOR, 1675BP-36, DORMONT, APPLIANCE
Commercial Moveable Appliance Connectors	61	1675BP-4	1508688	CONNECTOR, 1675BP-48, DORMONT, APPLIANCE
Commercial Moveable Appliance Connectors	61	1675BP-5	1508689	CONNECTOR, 1675BP-60, DORMONT, APPLIANCE
Commercial Moveable Appliance Connectors	61	1675BP-6	1508690	CONNECTOR, 1675BP-72, DORMONT, APPLIANCE
Commercial Moveable Appliance Connectors	61	1675BPQ-3	1508692	CONNECTOR, 1675BPQ-36, DORMONT, APPLIANC
Commercial Moveable Appliance Connectors	61	1675BPQ-4	1508693	CONNECTOR, 1675BPQ-48, DORMONT, APPLIANC
Commercial Moveable Appliance Connectors	61	1675BPQ-5	1508694	CONNECTOR, 1675BPQ-60,DORMONT,APPLIANC
Commercial Moveable Appliance Connectors	61	1675BPQ-6	1508695	CONNECTOR, 1675BPQ-72, DORMONT, APPLIANC
Commercial Moveable Appliance Connectors	61	A75-M/F	1539406	DISCONNECT, A75M/F, DORMONT, QUICK
Commercial Moveable Appliance Connectors	61	RDC-36	1508738	RESTRAINER, RDC-36", DORMONT
Commercial Moveable Appliance Connectors	61	RDC-48	1508739	RESTRAINER, RDC-48", DORMONT
Commercial Moveable Appliance Connectors	61	RDC-60	1508740	RESTRAINER, RDC-60", DORMONT
Schedule 40 Sediment Trap Kits	75	75ST-06	1523977	KIT, 75ST-06, 3/8", SEDIMENT TRAP
Schedule 40 Sediment Trap Kits	75	75ST-08	1523080	KIT, 75ST-08, 1/2", STAMINATE
Schedule 40 Sediment Trap Kits	75	75ST-12	1536787	KIT, 75ST-12, 3/4", STAMINATE



Catalog Section	Page #	RMI Part #	B2B Item #	Description
Schedule 80 Fittings	76	100-08	1505282	COUPLING, 1/2" SCH 80
Schedule 80 Fittings	76	100-12	1512056	COUPLING, 3/4", SCH 80, FORGED STEEL
Schedule 80 Fittings	76	100-16	1521710	COUPLING, 1", BLACK STEEL, SCH 80
Schedule 80 Fittings	76	103-12	1518338	ELBOW, 3/4", SCH 80, 45 DEGREE
Schedule 80 Fittings	76	103-16	1541890	ELBOW, 1", SCH 80, 45 DEG, FORGED STEEL
Schedule 80 Fittings	76	103-20	1538713	ELBOW, 1 1/4", BLK STEEL, SCH 80, 45 DEG
Schedule 80 Fittings	76	104-04	1537920	ELBOW, 1/4", BLACK STEEL, SCH 80
Schedule 80 Fittings	76	104-08	1503222	ELBOW, 1/2", SCH 80, 90 DEGREE
Schedule 80 Fittings	76	104-12	1521703	ELBOW, 3/4, SCH 80, 90 DEG, FORGED STEEL
Schedule 80 Fittings	76	104-16	1521707	ELBOW, 1", SCH 80, BLACK STEEL, 90 DEGR
Schedule 80 Fittings	76	104-20	1523457	ELBOW, 1 1/4", 90 DEGREE, SCH 80
Schedule 80 Fittings	76	104-24	1523518	ELBOW, 1 1/2, SCH 80, 90 DEG
Schedule 80 Fittings	76	105-12	1502974	PLUG, 3/4", SCH 80, HEX HEAD, BLACK PIPE,
Schedule 80 Fittings	76	105-16	1507092	PLUG, 1", SCH 80, HEX HEAD, FORGED STEEL
Schedule 80 Fittings	76	105-20	1502976	PLUG, 1 1/4", SCH 80, BLACK PIPE
Schedule 80 Fittings	76	105-32	1503235	PLUG, 2", SCH 80, FORGED STEEL
Schedule 80 Fittings	76	108-08	1528256	TEE, 1/2" SCH 80, FORGED STEEL
Schedule 80 Fittings	76	108-12	1523401	TEE, 3/4", SCH 80, BLACK STEEL
Schedule 80 Fittings	76	108-16	1518737	FITTING, TEE, 1", SCH 80, BLACK PIPE
Schedule 80 Fittings	76	108-20	1513054	TEE, 1 1/4", BLACK STEEL, SCH 80,
Schedule 80 Fittings	76	108-32	1522762	TEE, 2", SCH 80, FORGED STEEL,
Schedule 80 Fittings	76	109-08	1503238	UNION, 1/2", BLACK, SCH 80, FS
Schedule 80 Fittings	76	109-12	1503239	UNION, 3/4", SCH 80, BLACK PIPE
Schedule 80 Fittings	76	109-16	1505207	UNION, 1", SCH 80, FORGED STEEL
Schedule 80 Fittings	76	109-20	1537967	UNION, 1-1/4", SCH 80, STEEL
Schedule 80 Fittings	76	109-24	1503240	UNION, 1 1/2", SCH 80, BLACK PIPE
Schedule 80 Fittings	76	109-32	1522763	UNION, SCH 80, 2", BLACK STEEL
Schedule 80 Fittings	76	110-04	1538904	ELBOW, 1/4", BLACK STEEL, SCH 80, STREET
Schedule 80 Fittings	76	110-12	1516031	ELBOW, 90 DEG, 3/4 STREET, SCH 80
Schedule 80 Fittings	76	110-20	1543737	ELBOW, 1 1/4", 90 DEG, SCH 80, STREET
Schedule 80 Fittings	76	110-32	1522761	ELBOW, 90 DEGREE, 2" SCH 80, FORGED ST
Schedule 80 Fittings	76	114-16	1521713	CAP, 1", SCH 80, FORGED STEEL
Schedule 80 Fittings	76	114-32	1503311	CAP, 2" SCH 80, FORGED STEEL
Schedule 80 Screwed Reducing Fittings, Forged Steel	76	106-0802	1546343	BUSHING, 1/2" X 1/8, SCH 80, BLK STEEL
Schedule 80 Screwed Reducing Fittings, Forged Steel	76	106-1208	1537969	BUSHING, 3/4 X 1/2, SCH 80, 603145,
Schedule 80 Screwed Reducing Fittings, Forged Steel	76	106-1604	1537760	BUSHING, 1 X 1/4, BLACK STEEL, SCH 80
Schedule 80 Screwed Reducing Fittings, Forged Steel	76	106-1608	1502991	BUSHING, 1 X 1/2, HEX, SCH 80, BLACK STE
Schedule 80 Screwed Reducing Fittings, Forged Steel	76	106-1612	1507203	BUSHING, 603170, 1" X 3/4" SCH 80
Schedule 80 Screwed Reducing Fittings, Forged Steel	76	106-2012	1512063	BUSHING, 1 1/4" X 3/4" HEX, SCH 80
Schedule 80 Screwed Reducing Fittings, Forged Steel	76	106-2016	1523396	BUSHING, 1 1/4" X 1", SCH 80, HEX, STEEL
Schedule 80 Screwed Reducing Fittings, Forged Steel	76	106-2420	1537966	BUSHING, 1 1/2 X 1 1/4, SCH 80, BLK STEE
Schedule 80 Screwed Reducing Fittings, Forged Steel	76	107-1204	1547532	COUPLING, 107-1204, SCH 80, REDUCING,
Schedule 80 Screwed Reducing Fittings, Forged Steel	76	107-1208	1502983	COUPLING, 3/4 X 1/2, SCH 80, BLACK PIPE
Schedule 80 Screwed Reducing Fittings, Forged Steel	76	107-1612	1502973	COUPLING, 1 X 3/4, SCH 80, REDUCING,
Schedule 80 Screwed Reducing Fittings, Forged Steel	76	107-2012	1520048	COUPLING, 1-1/4 X 3/4, BLACK, SCH 80,
Schedule 80 Screwed Reducing Fittings, Forged Steel	76	107-2016	1540615	REDUCER, 1 1/4 X 1", SCH 80, COUPLING
Schedule 80 Screwed Reducing Fittings, Forged Steel	76	107-2416	1540244	COUPLING, 1 1/2 X 1", SCH 80, REDUCING

Catalog Section	Page #	RMI Part #	B2B Item #	Description
300 LB. Standard Forged Steel Flanges	78	48/3F/SO	1521504	FLANGE, 48/3F/BL, 3"
Flexitallic Spiral Wound Flange Gaskets	78	150/1800	1543681	GASKET,150/1800,SPIRAL WOUND,18" 150LB
Flexitallic Spiral Wound Flange Gaskets	78	300/0300	1545628	GASKET, 300-0300, 3 INCH, SPIRAL WOUND
Schedule 80 Pipe Nipples	78	121-00	1507801	NIPPLE, 1/4 X CLOSE, SCH 80,
Schedule 80 Pipe Nipples	78	121-015	1502872	NIPPLE,1/4" X 1 1/2",SCH 80, STEEL PIPE
Schedule 80 Pipe Nipples	78	121-02	1540960	NIPPLE,1/4 X 2, BLACK STEEL, SCH 80
Schedule 80 Pipe Nipples	78	123-00	1502866	NIPPLE, 1/2", SCH 80, CLOSE, STEEL
Schedule 80 Pipe Nipples	78	123-02	1503152	NIPPLE 1/2 X 2", SCH 80, FORGED STEEL
Schedule 80 Pipe Nipples	78	123-03	1523023	NIPPLE, SCH 80, 1/2" x 3", BLACK STEEL
Schedule 80 Pipe Nipples	78	123-04	1521506	NIPPLE,1/2 x 4",SCH 80, FORGED STEEL
Schedule 80 Pipe Nipples	78	123-06	1539462	NIPPLE,1/2 x 6", SCH 80, FORGED STEEL
Schedule 80 Pipe Nipples	78	124-00	1502867	NIPPLE, CLOSE, 3/4", SCH 80
Schedule 80 Pipe Nipples	78	124-02	1502878	NIPPLE, 3/4" X 2", SCH 80, BLACK STEEL
Schedule 80 Pipe Nipples	78	124-03	1521777	NIPPLE,3/4" X 3", SCH 80, FORGED STEEL
Schedule 80 Pipe Nipples	78	124-04	1503298	NIPPLE, 3/4" X 4", SCH 80, FORGED STEEL
Schedule 80 Pipe Nipples	78	124-05	1533157	NIPPLE, 3/4 X 5", SCH 80, FORGED STEEL
Schedule 80 Pipe Nipples	78	124-06	1503299	NIPPLE, 3/4" X 6", SCH 80, FORGED STEEL
Schedule 80 Pipe Nipples	78	124-10	1533151	NIPPLE, 3/4 X 10", SCH 80,
Schedule 80 Pipe Nipples	78	124-12	1523531	NIPPLE, 3/4" X 12, SCH 80, FORGED STEEL
Schedule 80 Pipe Nipples	78	125-00	1521718	NIPPLE, 1", SCH 80, CLOSE, STEEL
Schedule 80 Pipe Nipples	78	125-02	1502879	NIPPLE, 1" X 2", SCH 80, BLACK STEEL
Schedule 80 Pipe Nipples	78	125-03	1503340	NIPPLE, 1" X 3", SCH 80, BLACK STEEL
Schedule 80 Pipe Nipples	78	125-04	1528345	NIPPLE, 1 x 4, SCH 80, BLK STEEL
Schedule 80 Pipe Nipples	78	125-06	1522764	NIPPLE, 1" X 6", SCH 80, BLACK STEEL
Schedule 80 Pipe Nipples	78	125-08	1503135	NIPPLE, 1 X 8, BLACK STEEL, SCH 80
Schedule 80 Pipe Nipples	78	125-12	1522765	NIPPLE, 1" X 12", SCH 80, BLACK STEEL
Schedule 80 Pipe Nipples	78	126-00	1507650	NIPPLE, 1 1/4" X CLOSE, STEEL, SCH 80
Schedule 80 Pipe Nipples	78	126-02	1502880	NIPPLE, 1 1/4" MPT X 2" MPT, SCH 80,
Schedule 80 Pipe Nipples	78	126-03	1537972	NIPPLE, 1-1/4" X 3", STEEL, SCH 80,
Schedule 80 Pipe Nipples	78	126-04	1520585	NIPPLE, 1 1/4 X 4", BLACK STEEL, SCH 80
Schedule 80 Pipe Nipples	78	126-05	1503208	NIPPLE, 1 1/4" X 5", BLACK STEEL, SCH 80
Schedule 80 Pipe Nipples	78	126-06	1537973	NIPPLE, 1-1/4" X 6", SCH 80, STEEL
Schedule 80 Pipe Nipples	78	126-08	1543736	NIPPLE, 1 1/4 X 8, BLACK PIPE, SCH 80
Schedule 80 Pipe Nipples	78	126-10	1503205	NIPPLE, 1 1/4" X 2", SCH 80, BLK STEEL
Schedule 80 Pipe Nipples	78	126-12	1523398	NIPPLE, 1 1/4" X 12", BLACK STEEL, SCH 80
Schedule 80 Pipe Nipples	78	127-03	1507799	NIPPLE, 1 1/2 X 3, SCH 80, STEEL
Schedule 80 Pipe Nipples	78	127-05	1503131	NIPPLE, 1 X 5", SCH 80, BLACK STEEL
Schedule 80 Pipe Nipples	78	128-00	1503319	NIPPLE, 2" X CLOSE, SCH 80, FORGED STEEL
Schedule 80 Pipe Nipples	78	128-04	1522767	NIPPLE, SCH 80 2" X 4", FORGED STEEL,
Schedule 80 Pipe Nipples	78	128-06	1503288	NIPPLE, 2" X 6", BLACK STEEL, SCH 80
Studs w/ Nuts	78	132-12400	1518391	STUD, 132-12400, 3/4 X 4
Studs w/ Nuts	78	132-12450	1528266	STUD, 132-12450, 3/4" X 4 1/2" W/ NUTS
Ridgid Tool Hand Threaders	79	632-38625	1538863	CASE, 632-38625, METAL, HOLD 6 DIE HEADS
Ridgid Tool Hand Threaders	79	632-65990	1542555	DIE HEAD, 632-65990, COMPLETE, 2 INCH,
Gasolia Soft-Set	80	SS04	1525046	SEALANT, SS04, GASOLIA, SOFT SET 1/4 PT
Gasolia Soft-Set	80	SS08	1518782	SEAL, SS-08, GASOLIA, 1/2 PT SOFT SET
Gasolia Soft-Set	80	SS16	1523595	SEALER, SS16, GASOLIA, TEFLON, 1 PINT,
John Crane Pipe Thread & Gasket Sealer	80	PB04	1540254	SEALER, PB-04, JOHN CRANE, W/O LEAD 1/4
John Crane Pipe Thread & Gasket Sealer	80	PB16	1507920	SEALER, PB-16, JOHN CRANE, 1 PT
Jomar Seal "Gimme the Green Stuff" Pipe Sealer	80	400-102	1525047	SEALANT, 400-102, JOMAR, 1/4 PINT
Jomar Seal "Gimme the Green Stuff" Pipe Sealer	80	400-104	1538573	SEALER, 400-104, JOMAR, PINT,
LA-CO Pipette-Stick	80	11175	1538574	SEALER, 11175, LA-CO, PIPETTE STICK
Teflon Tape	80	TT33	1533496	TAPE, TT33, TEFLON
Teflon Tape	80	TT41	1543641	TAPE, TT41, TEFLON, 1/2" X 520" HIGH DENSITY
Brass Hose Ferrules	81	7326	1548477	FERRULE, 7326, BRASS, 0.593" ID
Brass Hose Ferrules	81	7327	1517155	FERRULE, 7327, BRASS, 625
Brass Hose Ferrules	81	7328	1545496	FERRULE, 7328, 656
Brass Hose Ferrules	81	7329	1543778	FERRULE, 7329, BRASS
Brass Hose Ferrules	81	7331	1544927	FERRULE, 7331, BRASS, .750 ID,
Brass Hose Ferrules	81	7332	1544928	FERRULE, 7332, BRASS, .781 ID,
Brass Hose Ferrules	81	7333	1548479	FERRULE, 7333, BRASS, .812 ID,
Brass Hose Ferrules	81	LPGH-1/4	1533630	HOSE, LPGH-1/4, DAYCO, 1/4 INCH , LP GAS
Brass Hose Ferrules	81	LPGH-3/8	1533632	HOSE, LPGH-3/8, DAYCO, 3/8 INCH
Crimping Tools	81	CR-100	1522905	CRIMPER, CR-100, BENCH
Hose Barb & Ferrule Kits	81	HBFK-1/4	1522904	KIT, HBFK-1/4, FERRULE,
Hose Barb & Ferrule Kits	81	HBFK-3/8	1540408	KIT, HBFK-3/8, FERRULE,
Small Diameter Rubber Braided Hose	81	LPGH-1/2	1533629	HOSE, LPGH-1/2, DAYCO, 1/2 INCH
Small Diameter Rubber Braided Hose	81	LPGH-1/4	1533630	HOSE, LPGH-1/4, DAYCO, 1/4 INCH , LP GAS
Small Diameter Rubber Braided Hose	81	LPGH-3/8	1533632	HOSE, LPGH-3/8, DAYCO, 3/8 INCH
1"-20 Swivel Adapter	82	ME-496	1524189	ADAPTOR, ME496, MEC, 20 M SWIVEL X 1/4"
9/16" -18L.H. Female by Hose Barb Connectors	82	8-17	1549597	FITTING, 8-17, HOSE BARB, 1/4"
9/16" -18L.H. Female by Hose Barb Connectors	82	8-20	1545460	FITTING, 8-20, HOSE BARB, 3/8"
9/16" -18L.H. Male by Hose Barb Connector	82	41-B	1545386	HOSE BARB, 41-B, 9/16" -18 LH MALE BY HOSE
Female NPT by Hose Barb Connectors	82	104-0608	1548232	HOSE END, 104-0608, 3/8 HOSE ID, 1/2 FNPT
Male NPT by Hose Barb Connectors	82	102-0402	1507237	BARB, 1/4 H.B. X 1/8 NPT, CONNECTOR,
Male NPT by Hose Barb Connectors	82	102-0608	1548231	HOSE END, 102-0608, 3/8" HOSE ID, 1/2 MNPT
Male NPT by Hose Barb Connectors	82	537XXX	1544302	BARB, 537, 3/8 NPT X 1/4 HOSE, CONNECTOR
Male NPT by Hose Barb Connectors	82	539XXX	1517164	CONNECTOR, 539, 3/8 MALE NPT X 3/8 BARB,
Male NPT by Hose Barb Connectors	82	543XXX	1534574	HOSE BARB, 543, DIXON BRASS, 3/8" BARB X 1/4
POL by Hose Barb Connector	82	ME1655	1548438	BARB, ME1655, MEC, 1/4 INCH HOSE X POL S.N. W/
POL by Hose Barb Connector	82	ME5930	1545495	HOSE END, ME-5930, MEC, POL X 1/4 HB Assem
Type 1 (QCC) by Hose Barb Connectors	82	ME518-25H	1540251	FITTING, ME518-25H, MARSHALL EXCELSIOR,





Catalog Section	Page #	RMI Part #	B2B Item #	Description
Female Flare Swivel by Hose Barb Connectors	83	HC-4335F	1541435	HOSE END,HC-4335F, MARSHALL BRASS, 3/8"
Female Flare Swivel by Hose Barb Connectors	83	ME4355	1538750	FITTING, ME-4355, MARSHAL EXCEL, HOSE,
Male Flare by Hose Barb Connectors	83	ME4855	1548230	HOSE END, ME4855, MEC, 3/8 X 3/8
Male Inverted Flare by Hose Barb Connectors	83	HC-5133	1508554	HOSE END, HC-5133,MARSHALL BRASS,
Male POL Adapters	83	858XXX	1507526	ADAPTER, 858, POL, ADAPTER MPOL X 1/4NPT
Male POL Adapters	83	ME1650	1540133	BRASS POL,ME1650,MEC,9/16,(858A)
Male POL Adapters	83	ME353	1540086	ADAPTOR,ME353,MEC,POLX3/8 MALE FLARE
Male POL Adapters	83	ME355	1524153	ADAPTOR, ME355, MEC, MPOL x 1/2" M
Male POL Adapters	83	ME356	1543515	ADAPTER, ME356, MARSH EXCEL, MPOL X 5/8"
Male POL Adapters	83	ME357	1524154	ADAPTOR, ME357,MEC, POL X 1/2 NPT
Male POL with Soft Nose (O-Ring) Seal and Hand Wheel Adaptor	83	G-1654	1537769	ADAPTOR, ME-1654, MARSHALL EXCELSIOR,
Male POL with Soft Nose (O-Ring) Seal and Hand Wheel Adaptor	83	ME1645	1544202	CONNECTOR,ME1645,MEC,POL X 9/16"-18 LH
Male POL with Soft Nose (O-Ring) Seal and Hand Wheel Adaptor	83	ME1653	1544203	CONNECTOR,ME1653,MEC,POL X 1/4" MNPT
Male POL with Soft Nose (O-Ring) Seal and Hand Wheel Adaptor	83	ME1654AR	1538546	FITTING, ME-1654AR, MARSH EXCEL, POL
CGA 555 Liquid Propane Adaptors	84	802XXX	1534505	ADAPTOR, 802, WESTERN ENT.,555 X FPOL
CGA 555 Liquid Propane Adaptors	84	ME309-1	1548778	CAP,ME-309-1,MEC,CGA 555W/RING AND CHAIN
Excess Flow Manifold Adaptors	84	ME353EX18	1543698	ADAPTER, ME353EX18,MARSH EXCEL,MANIFOLD
Excess Flow Manifold Adaptors	84	ME354EX18	1544281	FITTING,ME354EX18,MEC,POL X 3/8MFL
Excess Flow Manifold Adaptors	84	ME355EX18	1539463	VALVE, ME355EX18, MARSHALL EXCEL, EXC FL
Excess Flow Manifold Adaptors	84	ME356EX18	1541989	ADAPTOR,ME356EX18,MEC,EXCESS FLOW
Female POL Adaptor	84	M286	1505255	ADAPTOR, M286, FISHER, POL X 1/2 NPT
Female POL Adaptor	84	M303	1505258	ADAPTOR, M303, FISHER, POL X 1/2 NPT
Female POL Adaptor	84	ME284	1524142	ADAPTOR, ME284, MARSHALL EXCEL,POL X 1/4
Female POL Adaptor	84	ME286	1524144	ADAPTOR, ME286, MARSHALL EXCEL,
Female POL Adaptor	84	ME287	1524145	ADAPTOR, ME287,MARSHALL EXCEL, POL X
Female POL Adaptor	84	ME301	1524146	ADAPTOR, ME301,MARSHALL EXCEL, POL X
Female POL Adaptor	84	ME303	1524147	ADAPTOR, ME303, MARSHALL EXCEL, POL X
Female POL Adaptor	84	ME304	1524148	ADAPTOR, ME304, FPOL X 3/4 FNPT
Female POL Adaptor	84	ME305	1537343	ADAPTOR, ME305,MEC,FPOL XFPOL
Plastic POL Plug & QCC Dust Cap	84	94QC1	1534628	COVER, 94QC1, VALVE, QCC1, 20LB CYLINDER
Plugs & Adaptors	84	A-48W	1545749	ADAPTOR,A-48W,1/4NPTX1/4INV FL
Plugs & Adaptors	84	P500	1537677	PLUG, MALE, P500, MARSH EXCEL, 1/4 I.F.
POL Caps & Plug-a-Brass	84	A-1699	1534182	CAP, A-1699, MARSHALL EXCEL, FPOL CAP
POL Caps & Plug-a-Brass	84	ME1691	1540726	PLUG, ME-1691, MARSHALL EXCEL, POL
Brass Pipe Thread Adapter Female to Male	85	BA-4-2HP	1546927	ADAPTOR,BA-4-2HP,1/4NPT X 1/8NPT, BRASS
Brass Pipe Thread Hex Nipple Male X Male	85	B-6HP	1544306	NIPPLE,B-6HP,WESTERN,3/8X3/8MP
Brass Pipe Thread Reducing Bushing Male to Male	85	B-6-4HP	1544307	BUSHING,B-6-4HP,WESTERN,PIPE REDUCER
Brass Pipe Thread Tees	85	BFT-6HP	1544308	OUTLET,BFT-6HP,WESTERN,FEMALE TEE
Brass Pipe Thread Tees	85	BST-4HP	1544309	OUTLET,BST-4HP,WESTERN,FEMALE TEE
Brass Shut Off Valves	85	217	1514508	VALVE, 217, 1/4" NPT X 1/4" FNPT NEEDLE
Needle Valves	85	NMF20BK	1526033	VALVE, NMF20BK, NEEDLE
POL X Type 1 (QCC) Adapter	86	94QC1	1534628	COVER, 94QC1, VALVE, QCC1, 20LB CYLINDER
POL X Type 1 (QCC) Adapter	86	ME398	1538355	ADAPTOR, ME398, MARSHALL EXCELSIOR,
RV Type 1 ACME Pigtails	86	MER426-20	1542275	PIGTAIL,MER426-20,MEC,1/4" THERMO,
Type 1 (QCC) Couplings	86	ME517	1538544	ADAPTER, ME-517, MARSH EXCEL, QCC
Type 1 (QCC) Couplings	86	ME517EV	1541945	COUPLING,ME517EV,MEC,1-5/16" F.ACME EVAC
Type 1 (QCC) Couplings	86	ME518	1541624	FITTING, ME518, MEC,TYPE 1,QCC/OPD
Type 1 (QCC) Couplings	86	ME519	1542483	ADAPTER, ME-519, MARSH EXCEL, QCC
Type 1 QCC Adaptors	86	ME393-1	1540243	ADAPTER, ME393-1, MEC,CONVERSION
Type 1 QCC Adaptors	86	ME399	1540432	ADAPTER, ME399, MARSHALL EXCELSIOR,
1"-20 Brass Fittings	87	ME488	1541079	CONNECTOR, ME-488, MARSHALL EXCELSIOR,
1"-20 Hose Assembly	87	MER407-60	1542481	PIGTAIL,MER407-60, MARSH EXCEL, 1/4 INCH
1"-20 Hose Assembly	87	MER408-144	1547711	THERMO PIGTAIL, MER408-144, MEC,9/16"-18 L
RV and Camping Hose Kits: Flow Longer Kit & Stay Longer Kit	87	MER472	1546106	KIT,MER472,MEC,ADAPTER,FLOW LONGER



Catalog Section	Page #	RMI Part #	B2B Item #	Description
Sturgis Fuel Gas Outlet Connection for Indoor and Outdoor Use	88	100529	1547262	CONNECTOR,100529,3/8,OUTDOOR,12FT,GREY
Sturgis Fuel Gas Outlet Connection for Indoor and Outdoor Use	88	103029	1528418	FITTING, K103029, STURGIS, QUICK DISCON
Sturgis Fuel Gas Outlet Connection for Indoor and Outdoor Use	88	103031	1542499	KIT, K103031,FUEL GAS OUTLE w/HOSE
Sturgis Fuel Gas Outlet Connection for Indoor and Outdoor Use	88	104007	1539454	CONNECTOR, 104007, STURGIS, GAS,
Sturgis Fuel Gas Outlet Connection for Indoor and Outdoor Use	88	401207	1527133	PLUG, 401207, STURGIS, 3/8 QUICK DISCONN
Sturgis Fuel Gas Outlet Connection for Indoor and Outdoor Use	88	100462-144	1542051	HOSE END, 100462-144, OVERBRAID, SS,
Hansen Gas-Mate Couplings	89	HAN100-006	1512054	COUPLING, HAN100-006, GAS MATE SOCKET 3/
Hansen Gas-Mate Couplings	89	HAN100-008	1507124	SOCKET, 100-008, HANSEN
Hansen Gas-Mate Couplings	89	HAN100-010	1540537	SOCKET, 100-010, HANSEN, 3/4
Hansen Gas-Mate Couplings	89	HAN100-506	1512055	COUPLING, HAN-100-506, GAS MATE PLUG, 3/
Hansen Gas-Mate Couplings	89	HAN100-508	1518415	PLUG, 100-508, HANSEN, MALE
Hansen Gas-Mate Couplings	89	HAN100-510	1540538	PLUG, 100-510, HANSEN, GAS MATE, 3/4"
Hansen Gas-Mate Couplings	89	HANPSDC-2HK	1538316	PLUG, HANPSDC-2HK, PLASTIC DUST, 3/8" SO
Hansen Gas-Mate Couplings	89	HANPSDC-3HK	1542391	PLUG, HANPSDC-3HK, PLASTIC DUST,1/2 INCH
Hansen Gas-Mate Couplings	89	HANPSDC-4HK	1542448	PLUG, HANPSDC-4HK, PLASTIC DUST,3/4 INCH
Hansen One-Way Shut-Off Quick Hose Coupling	89	HAN10	1549515	COUPLING, HAN10, 1/4" MALE NPT PLUG
Hansen One-Way Shut-Off Quick Hose Coupling	89	HAN1000	1549513	SOCKET, HAN1000, HANSEN, 1/4" FNPT
Hansen One-Way Shut-Off Quick Hose Coupling	89	HAN11	1545396	FITTING, HAN11, HANSEN, 1/4M QUICK DISCO
Hansen One-Way Shut-Off Quick Hose Coupling	89	HAN1100	1545871	SOCKET,HAN1100,HANSEN, 1/4"MNPT
Hansen One-Way Shut-Off Quick Hose Coupling	89	HAN1200	1507005	SOCKET, HAN1200, HANSEN, 3/8 FNPT
Hansen One-Way Shut-Off Quick Hose Coupling	89	HAN1300	1534170	COUPLING, HAN1300, HANSEN, 3/8" MALE NPT
Hansen One-Way Shut-Off Quick Hose Coupling	89	HAN14	1534171	FITTING, HAN14, HANSEN, 3/8, MALE NPT
Hansen One-Way Shut-Off Quick Hose Coupling	89	HAN15	1534172	FITTING, HAN15, HANSEN, 3/8, FEMALE NPT
Hansen One-Way Shut-Off Quick Hose Coupling	89	HAN16	1538170	BARB, HAN16, HANSEN, HOSE, 1/4"
MEC Gas Outlet Box	90	ME951BLK	1538278	OUTLET BOX,ME951BLK,MEC,1/F.POL,BLK CAP
MEC Gas Outlet Box	90	ME951GRY	1538346	OUTLET BOX, ME951GRY, MARSH EXCELSIOR,
MEC Gas Outlet Box	90	ME951IVY	1537944	OUTLET BOX, ME951IVY, MARSH EXCEL,
MEC Gas Outlet Box	90	ME952BLK	1543526	OUTLET BOX,ME952BLK,MEC,BLACK
PVC Outlet Box	90	BBQ-4G	1512273	OUTLET BOX,BBQ-4G,BURNABY, GREY
PVC Outlet Box	90	BBQ-4HOSE	1535261	HOSE,BBQ-4HOSE,10",BURNABY,3/8 M X 3/8 F
PVC Outlet Box	90	BBQ-4W	1534571	OUTLET BOX, BBQ-4W, BURNABY, WHITE,
PVC Outlet Box	90	HAN100-506	1512055	COUPLING, HAN-100-506, GAS MATE PLUG, 3/
Stainless Steel Outlet Box	90	BBQ-4HOSE	1535261	HOSE,BBQ-4HOSE,10",BURNABY,3/8 M X 3/8 F
Stainless Steel Outlet Box	90	BBQ-4SM	1542752	OUTLET BOX,BBQ-4SM,BURNABY,SURFACE MOUNT
Stainless Steel Outlet Box	90	BBQ-4SS	1538149	OUTLET BOX,BBQ-4SS,BURNABY,STAINLESS STL
Stainless Steel Outlet Box	90	BBQ-DBL-SS	1540544	OUTLET BOX,BBQ-DBL-SS,BURNABY,STAINLESS
Stainless Steel Outlet Box	90	HAN100-506	1512055	COUPLING, HAN-100-506, GAS MATE PLUG, 3/
Smart-Hose Passive Shutdown System - DOT & Facility Hose	92	CG-LPG-32-R10-3	1543059	HOSE,CG-LPG-32-R10-3,SMART,2 X 10FT
Smart-Hose Passive Shutdown System - DOT & Facility Hose	92	CG-LPG-32-R15-3F	1543878	HOSE,CG-LPG-32-R15-3F,SMART,2"X15FT
Dayco Bulk Transfer Hose	93	LPGH-2	1533636	HOSE, LPGH-2, DAYCO, 2 INCH
Dayco/Parker Brand Hose	93	LPGH-1	1533628	HOSE, LPGH-1, DAYCO, 1 INCH
Dayco/Parker Brand Hose	93	LPGH-1/2	1533629	HOSE, LPGH-1/2, DAYCO, 1/2 INCH
Dayco/Parker Brand Hose	93	LPGH-1/4	1533630	HOSE, LPGH-1/4, DAYCO, 1/4 INCH , LP GAS
Dayco/Parker Brand Hose	93	LPGH-3/8	1533632	HOSE, LPGH-3/8, DAYCO, 3/8 INCH
Prowrap Hose Protection	93	PWLD-20	1541177	GUARD,PWLD-20,SCUFF GAURD,PROWRAP
Prowrap Hose Protection	93	PWLD-32	1545502	GUARD,PWLD-32,SCUFF GAURD,PROWRAP
Brass Bulkhead Fittings	94	BH-38	1547534	FITTING,BH-38, MEC, 3/8" FLARE BULK HEAD
Female Angle FF for SS Braid Hose	94	27720-6	1538121	COUPLING, 27720-6, PARKER,
Female Angle FF for SS Braid Hose	94	27920-6	1538119	COUPLING, 27920-6, PARKER,
Hose Ends for SS Hose	94	20120-12-10	1544105	HOSE END, 20120-12-10, 1/2 INCH ID MALE
Hose Ends for SS Hose	94	20120-4-6	1517242	FITTING, 20120-4-6, 5/16" MALE, HOSE
Hose Ends for SS Hose	94	20120-8-10	1539303	COUPLING, 20120-8-10, 1/2" MNPT, MALE
Hose Ends for SS Hose	94	20820-6	1517169	COUPLING, 20820-6, FOR SS25UL HOSE,5/16"
Hose Ends for SS Hose	94	20820-8-10	1538115	COUPLING, 20820-8-10, PARKER,
LPG Stainless Steel Braid Hose with Cloth	94	SS25UL-10	1517328	HOSE, SS25UL-10, 1/2", MOTOR FUEL
LPG Stainless Steel Braid Hose with Cloth	94	SS25UL-6	1517593	HOSE, SS25UL-6, HI-PRESS FUEL LINE, UL,
Pipe to Hose Swivel Adaptors	94	107-12-12	1515609	ADAPTOR, 107-12-12, MALE, 3/4", PIPE TO
Pipe to Hose Swivel Adaptors	94	107-16-16	1515623	ADAPTOR, 107-16-16, MALE, 1", PIPE TO
Pipe to Hose Swivel Adaptors	94	107-32-32	1515612	ADAPTOR, 107-32-32, MALE, 2", PIPE TO
Pipe to Hose Swivel Adaptors	94	107-8-8	1515608	ADAPTOR, 107-8-8, MALE, 1/2", PIPE TO
Pipe to Hose Swivel Adaptors	94	207-12-12	1539313	ADAPTOR, 207-12-12, FEMALE, 3/4", PIPE
Pipe to Hose Swivel Adaptors	94	207-16-16	1540907	SWIVEL, 207-16-16, PARKER, HYDRAULIC/
Pipe to Hose Swivel Adaptors	94	207-8-8	1520653	UNION, 207-8-8, PARKER HANAFIN, SWIVEL,
Two-Bolt Clamp Type Hose Coupling	94	ME3162-12	1542837	COUPLING,ME3162-12,MEC,3/4HB x3/4MNPT
Two-Bolt Clamp Type Hose Coupling	94	ME3162-16	1542636	COUPLING,ME3162-16,MEC,1" HB x 1" MNPT



Catalog Section	Page #	RMI Part #	B2B Item #	Description
ACME Brass Filler Couplings	95	M110	1505037	COUPLING, M110, FISHER, FILLER, 1 3/4 AC
ACME Brass Filler Couplings	95	M111	1505038	COUPLING, M111, FISHER, FILLER, 1 3/4 AC
ACME Brass Filler Couplings	95	M130	1505060	COUPLING, M130, FISHER, FILLER, 3 1/4 AC
ACME Brass Filler Couplings	95	ME100	1524107	COUPLING, ME100, MARSHALL EXCELSIOR
ACME Brass Filler Couplings	95	ME101	1524108	COUPLING, ME101, MARSHALL EXCELSIOR
ACME Brass Filler Couplings	95	ME110	1524109	COUPLING, ME110, MARSHALL EXCELSIOR
ACME Brass Filler Couplings	95	ME111	1524111	COUPLING, ME111, MARSHALL EXCELSIOR
ACME Brass Filler Couplings	95	ME111C	1547947	COUPLING, ME111C, MEC, 1 3/4 F ACME x 3/4 MNPT
ACME Brass Filler Couplings	95	ME112	1524113	COUPLING, ME112, MARSHALL EXCELSIOR
ACME Brass Filler Couplings	95	ME112C	1543777	COUPLING, ME112C, MEC, 1 3/4 ACME
ACME Brass Filler Couplings	95	ME130	1524116	COUPLING, ME130, MARSHALL EXCELSIOR
ACME Brass Filler Couplings	95	ME790	1524187	COUPLING, ME790, FILLER 1-1/4" F ACME
ACME Steel Filler Couplings	95	ME112SC	1547654	COUPLING, ME112SC, MEC, 1-3/4 F ACME x 1
ACME Steel Filler Couplings	95	ME130S	1541260	COUPLING, ME130S, MARSHALL EXCEL, 3-1/4" F.
ACME Steel Filler Couplings	95	ME635-6	1534284	COUPLING, ME635-6, MARSHALL EXCEL
ACME Steel Filler Couplings	95	ME635-8	1524139	COUPLING, ME635-8, MARSHALL EXCEL
ACME Brass Vapor Couplings	96	M141	1505063	COUPLING, M141, FISHER, VAPOR, 1 1/4 ACM
ACME Brass Vapor Couplings	96	ME141	1524118	COUPLING, ME141, MARSHALL EXCELSIOR
ACME Brass Vapor Couplings	96	ME150	1524119	COUPLING, ME150, MARSHALL EXCELSIOR
ACME Brass Male ACME X MPT Adaptor	97	M141	1505063	COUPLING, M141, FISHER, VAPOR, 1 1/4 ACM
ACME Brass Male ACME X MPT Adaptor	97	ME215	1524128	ADAPTOR, ME215, MARSHALL EXCELSIOR
ACME Brass Male ACME X MPT Adaptor	97	ME217	1524130	ADAPTOR, ME217, MARSHALL EXCELSIOR
ACME Brass Male ACME X MPT Adaptor	97	ME262A	1540590	ADAPTOR, ME262A, MARSHALL EXCEL, BRASS
ACME Brass Male ACME X MPT Adaptor	97	ME498-4/2	1524136	ADAPTOR, ME498-4/2, MEC, 1 1/4 ACME X 1/4FPT
ACME Brass Male ACME X MPT Adaptor	97	ME503-16	1524138	ADAPTOR, ME503-16, MARSHALL EXCEL
ACME Brass Male ACME X MPT Adaptor	97	ME503A-16	1538822	ADAPTOR, ME503A-16, MARSHALL EXCEL
ACME Brass Male X FNPT Adaptor	97	ME210	1524122	ADAPTOR, ME210, MARSHALL EXCELSIOR
ACME Brass Male X FNPT Adaptor	97	ME252-16	1539027	ADAPTOR, ME252, MARSHALL EXCELSIOR
ACME Brass Male X FNPT Adaptor	97	ME498-4/2	1524136	ADAPTOR, ME498-4/2, MEC, 1 1/4 ACME X 1/4FPT
ACME Brass Adaptor	98	M611	1505438	ADAPTOR, M611, FISHER, 2 1/4 X 1 3/4 ACM
ACME Brass Adaptor	98	M612	1505439	ADAPTOR, M612, FISHER, 3 1/4 X 1 3/4 ACM
ACME Brass Adaptor	98	M613	1505440	ADAPTOR, M613, FISHER, 4 1/4 X 3 1/4 ACM
ACME Brass Adaptor	98	ME442	1534281	ADAPTOR, ME442, MARSHALL EXCEL,
ACME Brass Adaptor	98	ME611	1534282	ADAPTOR, ME611, MEC, 2-1/4" FACME X1-3/4",
ACME Brass Adaptor	98	ME612	1534283	ADAPTOR, ME612, MEC, 3-1/4" FACME X1-3/4"
ACME Brass Male ACME Adaptor	98	ME270	1539244	ASSEMBLY, ME270, MARSH EXCEL, ADAPTER
ACME Brass Male ACME Adaptor	98	ME273	1524135	ADAPTOR, ME273, MARSHALL EXCEL,
ACME Steel Adaptor	98	M622	1505441	ADAPTOR, M622, FISHER, 3 1/4 X 1 3/4 ACM
ACME Steel Male X MNPT Adaptor	98	ME262S	1540592	ADAPTOR, ME262SA, MARSHALL EXCEL,
ACME Caps with Flange	99	ME441F8-1C	1547588	F.ACME CAP, ME441F8-1C, MEC, 3-1/4" F,
ACME Metal Caps	99	ME229-1	1539458	CAP, ME229-1, MARSH EXCEL, BRASS ACME
ACME Metal Caps	99	ME441F	1543679	CAP, ME441, MEC, 3 1/4" ACME
ACME Plastic Caps	99	ME106-1	1538962	CAP, ME106-1, MARSHALL EXCEL, PLASTIC
ACME Plastic Caps	99	ME109	1519945	CAP, ME109, MARSHALL EXCEL, 1 3/4 ACME
ACME Plastic Caps	99	ME109-1	1542177	CAP, ME109-1, MARSHALL EXCEL, 1 3/4 F.
ACME Dust Plugs	100	ME179	1536867	SEAL, ME179, MARSHALL EXCEL, DUST
ACME Dust Plugs	100	ME179-1	1539639	ASSEMBLY, ME179-1, MARSHALL EXCEL,
ACME Dust Plugs	100	ME181	1534278	SEAL, ME181, MARSHALL EXCEL, DUST,
ACME Dust Plugs	100	ME181-1	1539641	DUST SEAL, ME181-1, MARSH EXCEL,
Heavy Duty Spanner Wrench	100	MEP120B	1524141	WRENCH, MEP120B, SPANNER, F/2 1/4,
Marshall Excelsior Dispensing Valves	101	ME810-6	1538034	VALVE, ME810-6, MARSH EXCEL, QUICK
Marshall Excelsior Dispensing Valves	101	ME820-4	1547611	GLOBE VALVE, ME820-4, MEC, 1/2" LOCKING
Marshall Excelsior Dispensing Valves	101	ME820-6	1534564	VALVE, ME820-6, MARSHALL EXCEL, QUICK
Marshall Excelsior Dispensing Valves	101	ME820-8	1546437	VALVE, ME820-8, MEC, 1" FNPT x 1" FNPT, QUIC
Marshall Excelsior Dispensing Valves	101	ME821-4	1540336	VALVE, ME821-4, MARSHALL EXCELSIOR, 1/2"
ME791 Toggle Valve	101	ME791C	1538839	VALVE, ME791C, MARSHALL EXCEL, HOSE,
ME791 Toggle Valve	101	ME791CJ	1539614	VALVE, ME791CJ, MARSHALL EXCEL, 1/2FX1/4F
ME791 Toggle Valve	101	ME791D	1538832	VALVE, ME791D, MARSHALL EXCEL, HOSE,
ME791 Toggle Valve	101	ME792C	1538524	VALVE, ME792C, MARSH EXCEL, TOGGLE
ME791 Toggle Valve	101	ME792CJ	1547784	VALVE, ME792CJ, MEC, TOGGLE, 1/2" FNPT INLET
ME791 Toggle Valve	101	ME792D	1538910	VALVE, ME792D, MARSH EXCEL, 1/2" X 1/2"



Catalog Section	Page #	RMI Part #	B2B Item #	Description
Marshall Excelsior Bobtail Hose End Valve	102	ME800	1523920	VALVE, ME800, MARSHALL EXCELSIOR,
Marshall Excelsior Bobtail Hose End Valve	102	ME800G	1539857	VALVE, ME800G, MARSHAL EXCEL, HOSE END
Marshall Excelsior Bobtail Hose End Valve	102	ME800-LSRK	1549322	KIT,ME800-LSRK,MEC,LOWER SEAL REPAIR
Marshall Excelsior Bobtail Hose End Valve	102	ME800-SARK	1549321	KIT,ME800-SARK,MEC,STEM REPAIR,
Marshall Excelsior Bobtail Hose End Valve	102	ME800WS	1542421	VALVE, ME800WS, MARSH EXCEL, HOSE END,
Extended Filler Hose Adaptor	103	ME572EXT	1540419	SWIVEL, ME572EXT, MARSHALL EXCEL,
Extended Filler Hose Adaptor	103	ME572EXTHD	1540914	SWIVEL, ME572EXTHD, MARSHALL EXCELSIOR,
Extended Filler Hose Adaptor	103	ME574EXT	1537767	ADAPTER, ME574EXT, MARSHALL EXCELSIOR,
Extended Filler Hose Adaptor	103	ME574EXTHD	1542623	ADAPTER, ME574EXTHD,MEC,HEAVY DUTY
Filler Hose Adaptors	103	M570	1505436	ADAPTOR, M570, FISHER, HOSE, 1-3/4 ACM
Filler Hose Adaptors	103	ME570	1533337	ADAPTOR,ME570,NOT INTENDED FOR HOSE END
Filler Hose Adaptors	103	ME571	1539415	ADAPTOR, ME-571, MARSHALL EXCEL, HOSE,
Filler Hose Adaptors	103	ME571-06	1546187	SPACER,ME571-06,MEC,PLASTIC SPACER RING
Filler Hose Adaptors	103	ME571H	1542932	ADAPTOR, ME-571H, MEC,HIGH CAPACITY
Filler Hose Adaptors	103	T13098T0012	1537939	GASKET, T13098T0012, BLACK, FOR M570
Filler Hose Adaptors	103	T13103T0012	1538965	WASHER, T13103T0012, FOR M570
Flo-Max Full Flow Filler Hose Adaptor	103	ME578	1547720	FILL ADAPTER,ME578,MEC,FLO MAX SAFETY
Marshall POL Filler Couplings	103	ME388	1538243	ADAPTOR, ME388, MARSH EXCEL, POL FILLER
Marshall POL Filler Couplings	103	ME390	1524155	COUPLING, ME390, MARSHALL EXCEL,
Marshall POL Filler Couplings	103	ME390S	1526471	COUPLING, ME390S, FILLER, STAINLESS
Fork Truck or Lift Truck Filler Couplings	104	ME790	1524187	COUPLING, ME790, FILLER 1-1/4" F ACME
Marshall POL Filler Adaptor	104	ME392	1517172	ADAPTER,ME392, OPD STYLEFILL,
Marshall POL Filler Adaptor	104	ME394	1537951	ADAPTOR, ME394, MARSHAL EXCEL, TYPE 1
Marshall POL Filler Adaptor	104	ME568	1540043	ADAPTOR, ME568,MARSH EXCEL,1 3/4"ACME BY
Type 1 Filler Coupling	104	ME515	1541878	COUPLING, ME515, MARSHALL EXCELSIOR,
Type 1 Filler Coupling	104	ME516	1539374	FITTING, ME516, MARSH EXCEL, FILLER
Type 1 QCC Filler Adaptor	104	ME393	1534231	COUPLING, ME-393, MARSHALL EXCEL,
Type 1 QCC Filler Adaptor	104	ME393-1	1540243	ADAPTER, ME393-1, MEC,CONVERSION
Type 1 QCC Filler Adaptor	104	ME394	1537951	ADAPTOR, ME394, MARSHAL EXCEL, TYPE 1
Type 1 QCC Filler Adaptor	104	ME569	1538182	ADAPTOR, ME569, MARSH EXCEL,
DOT Multivalves	105	MES-PVE2030BC-11.6	1546028	VALVE, MES-PVE2030BC-11.6, MARSH EXCEL,
MEC Liquid Service Valves	105	MES-PVE3250CLM-11.6	1548882	VALVE,MES-PVE3250CLM-11.6,MEC,LIQUID
MEC Multiservice Vapor Valves for ASME Tanks	105	ME663	1545735	VALVE, ME663, MARSH EXCEL, VAPOR RETURN
MEC Multiservice Vapor Valves for ASME Tanks	105	ME9101BRK	1546074	BONNET ASSEMBLY, ME9101BRK,MEC,UNIVERSAL
Underground Tank Cluster Removal Tool	106	MEP126	1542885	WRENCH,MEP126,MEC,VALVE TANK REMOVAL
MEC ASME/DOT Container Service Valves	107	ME9101C1	1542701	VALVE, ME9101C1, MARSH EXCEL, SERVICE,
MEC ASME/DOT Manifolding Service Valves	107	ME9101BRK	1546074	BONNET ASSEMBLY, ME9101BRK,MEC,UNIVERSAL
MEC DOT and ASME Fixed Liquid Level Vent Gauge	108	MEJ410-120	1540357	GAUGE, MEJ410-120, MARSHALL EXCEL,
MEC DOT and ASME Fixed Liquid Level Vent Gauge	108	MEJ410-5.7	1545737	GAUGE, MEJ410-5.7, MARSH EXCEL, FIXED
MEC Vapor Equalizing Valves	108	ME663	1545735	VALVE, ME663, MARSH EXCEL, VAPOR RETURN
MEC Vent Valves	108	MEJ400	1539877	GAUGE, ME-J400, MARSHALL EXCEL,
MEC Vent Valves	108	MEJ401	1540616	VENT VALVE, MEJ401,MEC,BLEEDER SCREW
MEC Vent Valves	108	MEJ402S	1543677	VALVE, MEJ402S, MEC, RELIEF-BLEEDER,
MEC Vent Valves	108	MEJ602H	1548249	ELBOW,MEJ602H,MEC,1/4" W/ RELIEF & BLEED
MEC ASME and DOT Combination Valves	109	MEJ402S	1543677	VALVE, MEJ402S, MEC, RELIEF-BLEEDER,
MEC Liquid Transfer Valves	109	ME449	1539271	VALVE, ME-449, MARSHAL EXCEL, TRANSFER,
MEC Liquid Transfer Valves	109	MEJ400	1539877	GAUGE, ME-J400, MARSHALL EXCEL,
MEC Liquid Transfer Valves	109	MEJ402S	1543677	VALVE, MEJ402S, MEC, RELIEF-BLEEDER,
MEC Liquid Transfer Adapters	110	ME453	1539936	ADAPTER, ME453, MARSHALL EXCEL, FEMALE
MEC Liquid Transfer Adapters	110	ME458	1539270	ADAPTOR, ME458, MARSHALL EXCEL,
MEC Liquid Withdrawal Tank Valves	110	ME460	1545734	VALVE,ME460,MARSH EXCEL,LIQUID WITHDRAWL
MEC Liquid Withdrawal Tank Valves	110	ME462	1545214	VALVE,ME462,MEC,WITHDRAWL TANK, CAP
MEC Liquid Withdrawal Tank Valves	110	ME462S	1547426	VALVE,ME462S,MEC,1 1/4 MPT CHECK LOCK
MEC Multipurpose Filler Bypass Return Valve	110	MEH225	1540684	VALVE,MEH225,MARSHALL EXCEL, 1/4" MNPT
MEC Multipurpose Filler Bypass Return Valve	110	MEH225S5	1548598	VALVE,MEH225S5/400,MEC,STAINLESS STEEL,
MEC Multipurpose Filler Bypass Return Valve	110	MEJ400	1539877	GAUGE, ME-J400, MARSHALL EXCEL,
MEC Multipurpose Filler Bypass Return Valve	110	MEJ402S	1543677	VALVE, MEJ402S, MEC, RELIEF-BLEEDER,
MEC Multipurpose Filler Bypass Return Valve for Dispensing Applications	110	MEH225	1540684	VALVE,MEH225,MARSHALL EXCEL, 1/4" MNPT



Catalog Section	Page #	RMI Part #	B2B Item #	Description
MEC DOT Full Internal Pressure Relief Valves	111	MEP175-45	1545738	ADAPTER, MEP175-45, MARSH EXCEL,45 ANGLE
MEC DOT Full Internal Pressure Relief Valves	111	MEP175-90	1545740	ADAPTER, MEP175-90, MARSH EXCEL,90 ANGLE
MEC DOT Full Internal Pressure Relief Valves	111	MEP175C	1540044	CAP, MEP175C, MARSH EXCEL, RAIN
MEC DOT Full Internal Pressure Relief Valves	111	MEV75FIR	1539950	VALVE, MEV75FIR, MARSH EXCEL,
MEC DOT Motor Fuel Cylinder Service Valves	111	ME9101H4	1543098	VALVE, ME9101H4, MARSH EXCEL, MOTOR FUEL
MEC DOT Motor Fuel Cylinder Service Valves	111	ME9101H6	1545736	VALVE, ME9101H6, MARSH EXCEL, MOTOR FUEL
MEC DOT Motor Fuel Cylinder Service Valves	111	ME9101P5	1545341	VALVE, ME9101P5, MARSHALL EXCELSIOR,
MEC DOT Motor Fuel Cylinder Service Valves	111	ME9101P5H	1541269	VALVE, ME9101P5H, MARSHALL EXCELSIOR,
MEC Engine Fuel Filler Valves and Connections	111	ME220ML	1547123	CONNECTOR, ME220ML, MEC,1-1/4" LH, M, ACME X
MEC Engine Fuel Filler Valves and Connections	111	ME790	1524187	COUPLING, ME790, FILLER 1-1/4" F ACME
Cavagna OPD Valves	112	80-8107	1512209	VALVE, 80-8107, CAVAGNA, 20LB OPD
Grand Hall OPD Valves	112	PV30SOPD	1544586	VALVE, OPD30, GRAND HALL, 4.7 INCH DIP
MEC Motor Fuel Cylinder Double Check Filler Valve	112	ME601-10	1542846	VALVE,ME601-10,MEC,1-3/4 INCH FILLER VAL
MEC Motor Fuel Cylinder Double Check Filler Valve	112	ME601-6	1540813	VALVE, ME601-6, MEC,1-3/4" M ACME X 3/4"
MEC Motor Fuel Cylinder Double Check Filler Valve	112	ME601-902	1542430	CAP, ME601-902, MARSH EXCEL,REPLACEMENT,
Flat Washers	113	W-2XXX	1537670	O-RING, MSW-2, 1 3/4" ACME
Flat Washers	113	W-4XXX	1515756	GASKET, W-4, REPAIR, WASHER 1-1/4 ACME,
Flat Washers	113	W-6XXX	1515638	WASHER, MSW6, FLAT, FILLER VALVE, 3 1/4"
Float Gauge Gaskets	113	15-007	1525416	GASKET,15-007,FLOAT GAUGE, JUNIOR, RUBBER
Aboveground Gauges	116	HA160A	1544640	GAUGE, HA160A, SQUIBB TAYLOR, 1 INCH,
Aboveground Gauges	116	HA194A	1547878	FLOAT GAUGE,HA194A,SQUIBTAYLOR,37"DIAMET
Aboveground Replacement Parts	116	ME460	1545734	VALVE,ME460,MARSH EXCEL,LIQUID WITHDRAWL
Aboveground Replacement Parts	116	ME462	1545214	VALVE,ME462,MEC,WITHDRAWL TANK, CAP
Aboveground Replacement Parts	116	ME601-10	1542846	VALVE,ME601-10,MEC,1-3/4 INCH FILLER VAL
Aboveground Replacement Parts	116	MEVS-UVE453AM/250	1546005	VALVE,MEVS-UVE-453AM-250,MEC,RELIEF
Underground Replacement Parts	116	ME460	1545734	VALVE,ME460,MARSH EXCEL,LIQUID WITHDRAWL
Underground Replacement Parts	116	ME462	1545214	VALVE,ME462,MEC,WITHDRAWL TANK, CAP
Anode Bags	118	MG-17-HP	1539263	ANODE,17LB,GALVOTEC,HIGH POTENTIAL,MAGNE
Anode Bags	118	MG-5-HP	1539265	ANODE, 5 LB, GALVOTEC, HIGH POTENTIAL
Anode Bags	118	MG-9-HP	1539264	ANODE,9LB,GALVOTEC,HIGH POTENTIAL,MAGNES
Spike Anodes	118	MG-DR-1.0	1545570	ANODE,MG-DR-1.0, SPIKE DRIVE
Spike Anodes	118	MG-DR-CLAMP-2	1542676	CLAMP,MG-DR-CLAMP-2,PIPE, ADJ W/SCREW
Corrosion Protection Tapes	119	MM50-2	1541635	TAPE,MM50-2,SCOTCH WRAP,2 X 1000
Corrosion Protection Tapes	119	MM50-4	1540744	TAPE,MM50-4,SCOTCHRAP, 4" X 100FT
Insulating Unions	119	1U-150-012	1538054	UNION, 1U-150-012, INSULATING, 1/2",
Insulating Unions	119	1U-150-034	1538324	UNION, 1U-150-034, INSULATING, 3/4"
Insulating Unions	119	1U-150-100	1538323	UNION, 1U-150-100, INSULATING, 1"
Insulating Unions	119	1U-3000-100	1539017	UNION,1U-3000-100,1", INSULATING, SCH80
Jomar Ball Valve with Dielectric Union	119	101-403DU	1544062	VALVE,101-403DU,JOMAR,DIELECTRIC UNION
Jomar Ball Valve with Dielectric Union	119	101-404DU	1542380	VALVE, 101-404DU, JOMAR, T-HANDLE,
Jomar Ball Valve with Dielectric Union	119	101-703DU	1543385	VALVE,101-703DU,JOMAR,1/2" MIP X 1/2"FLA
MEC Space-Saver Brass Dielectric Unions	119	ME690-4-10	1542833	UNION,ME690-4-10,MEC,1/2"MNPTX5/8"MFL
MEC Space-Saver Brass Dielectric Unions	119	ME690-4-6	1542754	UNION,ME690-4-6,MEC,1/2"MNPTX3/8"MFL
MEC Space-Saver Brass Dielectric Unions	119	ME690-4-8	1541183	UNION,ME690-4-8,MARSH EXCEL,1/2MPPX1/2MF
MEC Space-Saver Brass Dielectric Unions	119	ME690-6-10	1542834	UNION,ME690-6-10,MEC,3/4"MNPTX5/8"MFL
MEC Space-Saver Brass Dielectric Unions	119	ME690-6-6	1542835	UNION,ME690-6-6,MEC,3/4"MNPTX3/8"MFL
MEC Space-Saver Brass Dielectric Unions	119	ME690-6-8	1542836	UNION,ME690-6-8,MEC,3/4"MNPTX1/2"MFL
Half Cell	120	16906	1538216	CRYSTALS, 16906, J&N ENTERPRISES, TESTER
Half Cell	120	MODEL 68	1543853	ELECTRODE,MODEL 68,HALF CELL REFERENCE
JCP100 Cathodic Protection Test Kit	120	JCP100	1540162	KIT, JPC 100, CP TEST
Potential Meter - Testing Cathodic Protection	120	16906	1538216	CRYSTALS, 16906, J&N ENTERPRISES, TESTER
Hand Trucks	122	7325-S	1523186	TRUCK, T7325-S, CYLINDER, 100#
Hand Trucks	122	MW-2001	1512899	WHEEL, MW2001, HAND TRUCK
Motor Fuel Cylinder Cart	122	FLC33	1547344	CART,FLC33,FOR MOTOR FUEL CYLINDER
Fish Tank Lifting Jack	123	2068	1527522	JACK, 2068, SAF-T-JAC, DEMPSTER
Heavy Duty Cargo Binders (10,000 LBS)	123	CB12X4DLT	1538714	BINDER, CB12X4DLT,12 FT, DELTA HOOK END
Heavy Duty Cargo Binders (10,000 LBS)	123	CB12X4FH	1538223	RATCHET STRAP,CB12X4FH,12 FT,FLAT HOOKS
Heavy Duty Cargo Binders (10,000 LBS)	123	CB12X4FSH	1512514	BINDER, CB12X4FSH, RMI, CARGO, HEAVY
Heavy Duty Cargo Strap (10,000 LBS)	123	10R13CG	1538649	RATCHET SET, 10R13CG, 13' HEAVY DUTY
Heavy Duty Cargo Strap (10,000 LBS)	123	10R20CG	1508919	STRAP, 10R20CG, RMI, TANK/CARGO, 20'
Internal Van Straps	123	V50CB12EC	1538051	STRAP, V50CB12EC, INTERNAL VAN, 12'
Internal Van Straps	123	V50CB12EC-3	1521908	STRAP, V50CB12EC-3, INTERNAL VAN, 12'L,



Catalog Section	Page #	RMI Part #	B2B Item #	Description
Dandi-Block Propane Tank Foundation	124	22626	1538984	BLOCK, 22626, DANDI, FOR 200# AND 420#
Dandi-Block Propane Tank Foundation	124	81230	1537724	BLOCK, 81230, PLASTIC, BEVELED, ASME
E Z Concrete Minute Man Anchors	125	EZ-1450	1540804	ANCHOR, EZ-1450, MINUTE MAN,WET CONCRETE
Propane Tank Stabilization System E Z One Step Anchoring System	125	EZ-2370	1538235	SLING, EZ-2370, MINUTE MAN,STAINLESS STE
Prochemastic Coating	126	PRO-CHEM-5	1547972	COATING,PRO-CHEM-5,PROCHEMASTIC BLK,5GAL
Sumter Uni-Pox Primer	126	855D1373	1547971	PRIMER.855D1373,UNI-POX GRAY
Tank Evacuation Vapor Compressor	127	K-COMP	1524813	COMPRESSOR, K-COMP,TANK EVACUATION
Tank Evacuation Vapor Compressor	127	K-GAS	1525551	COMPRESSOR, K-GAS, KRUG, GASOLINE DRIVEN
Tank Evacuation Vapor Compressor	127	K-K2	1534420	KIT, K-K2, HOSE AND VALVE KIT, 25 FOOT
Tank Evacuation Vapor Compressor	127	K-LPG	1523586	COMPRESSOR, K-LPG KRUG,EVACATION
Tank Evacuation Vapor Compressor	127	K-MOTOR	1540751	MOTOR, K-MOTOR, KRUG,
Cylinder Purge System	128	PURGE-1	1515712	PURGE SYSTEM,PURGE-1,POL X POL
Cylinder Purge System	128	PURGE-2	1540239	KIT, PURGE-2, ECONOMY PURGE KIT
Cylinder Purge System	128	PURGE-3	1544886	KIT,PURGE-3, PURGE, 3 WAY VALVE
Cylinder Purge System	128	Y602-7	1504865	ASSEMBLY, Y602-7, FISHER, ANGLE VENT,
Alcoject Methanol Injector	129	ABJ-2	1534492	INJECTOR, ABJ-2, MARSHALL EXCELSIOR,
Alcoject Methanol Injector	129	ABJ-AA	1507677	ADAPTOR, ABJ-AA, METHANOL
Alcoject Methanol Injector	129	ABJ-RK	1512676	KIT, ABJ-RK, REPAIR, FOR ABJ-2 INJECTOR
Krug Hand Pump	129	K-HP	1533262	HAND PUMP, K-HP, KRUG,
Methanol Injector	129	INJECT-1	1534694	INJECTOR, INJECT-1, METHANOL, 1 GAL
Vac Fill	129	VAC-FILL	1541719	ADAPTER, VAC-FILL, GAS KIT, FILL, FOR
Pad & Barrel Locks and Keys	130	500BRK	1524989	LOCK, 500BRK, BREAK-AWAY, KEYPED ALIKE
POL & Fill Valve Locks and Keys	130	S533G-LLVC-A0	1540553	CAP, S533G-LLVC-A0, LOCKAMERICA
Safety Lock POL Valve Locks and Keys	130	ME530	1537509	LOCK, ME530, MARSHALL EXCEL, POL
Safety Lock POL Valve Locks and Keys	130	ME530-03	1537671	KEY, ME530-03, MARSHALL EXCEL, POL LOCK
Air Operated E Z Stamp	131	CP-711	1539332	KIT, CP-711, E-Z STAMP, /0-9 & " E " GUN
Air Operated E Z Stamp	131	CP-711-14	1544754	SET,CP-711-14,STAMP,FOR CP-711 0/9/E
Air Scribe	131	P-054177	1547435	STYLUS,P-054177,CARBIDE TIPPED,CHICAGO P
Bot-L-Wrench	131	20-2	1515975	WRENCH, 20-2, VALVE
Bot-L-Wrench	131	20-3	1515976	HANDLE, 20-3,
OPD Cylinder Valve Wrench	131	MEP122	1522101	WRENCH KIT, MEP122, QCC CYL,1-5/16
Steel Stamp	131	SK-09E/316	1545014	STAMP,SK-09E/316, 3/16" DIES, 0-9 AND E
Cylinder Caps, Collars, and Plugs	132	PT-3/4	1537573	PLUG, PT-3/4, THREAD, 3/4"
Cylinder Caps, Collars, and Plugs	132	S-501	1537574	COLLAR, S-501, CYLINDER, 100 LB
Cylinder Vise and Mounting Base	132	CVM-200	1525767	CYLINDER VISE, CVM200, RANSOME
Cylinder Vise and Mounting Base	132	CVM-BASE	1524625	BASE, CVM-BASE, CYLINDER, VISE
Dial Screws and Gaskets	135	15-007	1525416	GASKET,15-007,FLOAT GAUGE,JUNIOR,RUBBER
Squibb Remote Ready Dials	135	2700-CV	1534568	DIAL, 2700-CV,SQUIBB-TAYLOR,REPLACEMENT
Squibb Remote Ready Dials	135	2700-CV-TOP	1540298	DIAL, 2700-CV-TOP, TAYLOR, UNDERGROUND
Squibb Remote Ready Dials	135	2701-CV	1541961	DIAL ASSY, 2701-CV, SQUIBB TAYLOR,130009
Squibb Remote Ready Dials	135	2-JR	1534138	DIAL, 2-JR, JUNIOR GAUGE, GLUE IN TYPE
Squibb Remote Ready Dials	135	2-SR	1540297	DIAL, 2-SR, TAYLOR, UNIVERSAL, SENIOR
Drill Kits	136	G1939	1545397	KIT,G1939,ORIFICE GAUGING DRILL,#19-39
Drill Kits	136	G4080	1524332	DRILL ,G4080, KIT, #40-80,
Handi-Lite	136	HANDI-LITE	1537668	HOLDER, HANDI-LITE, EXTENDABLE
Handi-Lite	136	Z6-413	1544276	EXTENDER,Z6413 ,MATCH
Individual Replacement Drills	136	RMH-80	1544420	REAMER, RMH-80, #80 PILOT WITH HANDLE
Individual Replacement Drills	136	RMH-90	1538578	REAMER, RMH-90, INDIVIDUAL REPLACEMENT
Ridgid Steel and Aluminum Pipe Wrenches	136	31030-24	1539439	WRENCH, 31030-24, RIGID, STR PIPE
Ridgid Steel and Aluminum Pipe Wrenches	136	31105-824	1538823	WRENCH, 31105-824, RIGID, 24", ALUMINUM
Ridgid Steel and Aluminum Pipe Wrenches	136	31110-836	1539982	WRENCH, 31110-836, RIGID, 36", ALUMINUM
Spanner Wrenches	136	MEP120B	1524141	WRENCH, MEP120B, SPANNER, F/2 1/4,
Thermocouple Wrenches	136	GK-382	1537667	WRENCH, GK-382, THERMOCOUPLE,
Imperial Eastman Copper Tubing Cutters	137	127-FB	1536927	CUTTER, 127-FB, IMPERIAL EASTMAN,TUBE
Imperial Eastman Copper Tubing Cutters	137	274-FC	1536928	CUTTER, 274-FC, IMPERIAL EASTMAN,TUBE
Lever Type Tube Benders	137	364-FHA-08	1512230	BENDER, 364-FHA-08, LINCOLN CONT.,1/2"OD
Lever Type Tube Benders	137	364-FHA-10	1534162	BENDER, 364-FHA-10, LINCOLN CONT.,5/8"
Papco Tools	137	420XXX	1547186	FLARING TOO,420,ROTHENBERGER,
Papco Tools	137	512XXX	1512483	CUTTER, 512, PACPO
Parker Flaring Tool	137	945TH	1515500	TOOL, 945TH, PARKER HANNIFIN,ROLO FLARE,
Spring Type Tube Benders	137	102-E	1547187	TUBE BENDER, 102-E, IMPERIAL EASTMAN,3/8
Spring Type Tube Benders	137	102-F	1547188	TUBE BENDER, 102-F, IMPERIAL EASTMAN,1/2
Spring Type Tube Benders	137	102-I	1547189	TUBE BENDER, 102-I, IMPERIAL EASTMAN,5/8



Catalog Section	Page #	RMI Part #	B2B Item #	Description
Anderson & Forrester Orifice Kits	138	MI-131	1520028	KIT, MI-131, SERVICEMAN-ORIFICE
Files	139	GK-FF	1545977	FILE, GK-FF, FLAT,CLEANS STANBY PILOTS,
Files	139	GK-HF	1546467	FILE, GK-HF, HOOK,CLEANS PILOTS,
Files	139	GK-LF	1546465	FILE, GK-LF, FLAT,LARGE, CLEAN PILOTS,
Files	139	GK-SF	1546466	FILE, GK-SF, FLAT,SMALL, CLEANS PILOTS,
Miscellaneous Tools and Gas Cock Grease	139	Y70AA-2C	1544100	GREASE,Y70AA-2C, GAS VALVE
Reamers	139	G-5000	1540055	KIT, G-5000, REAMER, #20 - 90
Reamers	139	RM-20	1544097	REAMER, RM-20,FIVE CORNER
Reamers	139	RM-30	1544098	REAMER, RM-30,FIVE CORNER
Reamers	139	RM-90	1538577	REAMER, RM-90, #90 REAMER
Serviceman's Kit	139	GK-100	1520308	KIT, GK-100, SERVICEMAN'S, GAS,
Low Pressure Test Adaptors	140	1328	1540120	ADAPTOR, 1328, MARSH EXCEL, 3/8" OD
Low Pressure Test Adaptors	140	1331	1540121	ADAPTOR, 1331, MARSH EXCEL, 1/2" OD
Low Pressure Test Adaptors	140	1332	1540122	ADAPTOR, 1332, MARSH EXCEL, 5/8" OD
Low Pressure Test Adaptors	140	TL-051	1515521	ADAPTOR, TL-051, TEST,SERVICEMANS FRIEND
Valves	140	VA1-VALVE	1542999	VALVE, VA1-VALVE,PRESSURE,1/8 MNPT
Valves	140	VB1-VALVE	1540642	VALVE, VB-1, PRESSURE
Brush, Squeeze & Spray Bottle	141	LD-BOTTLE	1512073	BOTTLE, LD-BOTTLE, LEAK, EMPTY PINT DI
Brush, Squeeze & Spray Bottle	141	LD-SPRAY	1516032	SPRAY BOTTLE,LD-SPRAY,PINT,LEAK DETECTOR
Brush, Squeeze & Spray Bottle	141	WP120	1544134	BOTTLE, WP120,8 OZ, LEAD DETECTOR
GKPT-Kit Pressure and Leak Test Kits	141	GKPT-KIT	1540527	KIT, GKPT-KIT, 3 WAY TEST, TANK, LINE
GKPT-Kit Pressure and Leak Test Kits	141	GL-30	1538206	GAUGE, GL-30, LIQUID PRESSURE, 30 LB
GKPT-Kit Pressure and Leak Test Kits	141	GL-300	1503210	GAUGE, GL-300, LIQUID, 0-300#
GKPT-Kit Pressure and Leak Test Kits	141	HAN10	1549515	COUPLING, HAN10, 1/4" MALE NPT PLUG
GKPT-Kit Pressure and Leak Test Kits	141	HAN11	1545396	FITTING, HAN11, HANSEN, 1/4M QUICK DISCO
GKPT-Kit Pressure and Leak Test Kits	141	HAN1100	1545871	SOCKET,HAN1100,HANSEN, 1/4"MNPT
GKPT-Kit Pressure and Leak Test Kits	141	VB1-VALVE	1540642	VALVE, VB-1, PRESSURE
Leak Detector Solution	141	GASKIT-LT	1537505	DETECTOR, GASKIT-LT, LEAK,
Leak Detector Solution	141	GASKIT-XL	1534566	DETECTOR, GASKIT-XL, LEAK, EXTRA LOW T
ME-SLT: System Leak Tester High Pressure Test Kit	141	ME-SLT	1537561	LEAK TESTER, ME-SLT, SYSTEM
PTK-5 Low Pressure Test Kit	141	PTK-5	1539408	KIT, PTK-5,PRESSURE TEST W/5LB GAUGE
1/8" Inch Pressure Gauge	142	MGS-30	1538826	GAUGE, MGS-30, PRESSUE, 1/8", 0-30LBS
Diaphragm Type Pressure Gauge	142	GS-35WC	1515711	GAUGE, GS-35WC, MANOMETER
Diaphragm Type Pressure Gauge	142	GS-5	1538171	GAUGE, GS-5, DIAPHRAM TYPE, 5 PSI
Large "Easy to Read" Duro-Pressure Gauge	142	105/300	1512853	GAUGE, 105/300, 0-300# PRESSURE
Liquid Filled Pressure Gauge	142	GL-300	1503210	GAUGE, GL-300, LIQUID, 0-300#
Liquid Filled Pressure Gauge	142	GLM-400	1507905	GAUGE, GLM-400, 400# LIQUID FILLED
Liquid Filled Pressure Gauge	142	GLS-400	1538931	GAUGE, GLS-400, BOTTOM INLET, STAINLESS
ME295SN-1-Pressure Gauge Adapter	142	ME295SN-1	1540569	FITTING, ME295N-1, MARSHEL EXCEL,
Standard Pressure Gauges	142	GB-100	1516076	GAUGE, GB-100, PRESS.,0-100#. POL BRASS
Standard Pressure Gauges	142	GB-30	1503211	GAUGE, GB-30, LIQUID, 0-30#
Standard Pressure Gauges	142	GB-300	1533504	GAUGE, GB-300, PRESSURE GAUGE
Standard Pressure Gauges	142	GB-400	1516077	GAUGE, GB-400, PRESS.,0-400#. POL BRASS
Standard Pressure Gauges	142	GB-60	1516075	GAUGE, GB-60, PRESS.,0-60#. POL BRASS CA
Standard Pressure Gauges	142	GS-100	1516073	GAUGE, GS-100, PRESS.,0-100#, DRAWN STEE
Standard Pressure Gauges	142	GS-15	1534304	GAUGE, GS-15, PRESS.,0-15#, DRAWN STEEL
Standard Pressure Gauges	142	GS-160	1538957	GAUGE, GS-160, PRESS.,0-160#, DRAWN STEE
Standard Pressure Gauges	142	GS-30	1516071	GAUGE, GS-30, PRESS.,0-30#, DRAWN STEEL
Standard Pressure Gauges	142	GS-300	1520327	GAUGE, GS-300, 300# PRES., STEEL,
Dwyer Dual Range Flex-Tube U-Inclined Manometers	143	96-INMAN	1544269	MANOMETER,96-INMAN,INCLINE
Dwyer Dual Range Flex-Tube U-Inclined Manometers	143	A-120	1542920	OIL, A-120, DWYER,VIOLET, GAGE
Gas-Kit Water Manometer	143	GKST-1	1534441	MANOMETER, GKST-1, GAS KIT CO, STANDARD
Gas-Kit Water Manometer	143	GKST-2	1528415	MANOMETER, GKST-2, GAS-KIT, WATER, SELF
Gas-Kit Water Manometer	143	GKST-5A	1537510	HOSE, GKST-5A, GAS-KIT, FOR MANOMETER
Spring Gauge-Kit Manometer	143	1D497606992	1546057	ADAPTOR,1D497606992,BELL,HOSE END,50P
Spring Gauge-Kit Manometer	143	TK-35WC	1537727	KIT, TK-35WC, WC TEST,
Sensit Track-It III-A CGI	144	AJN02035	1542470	PLUNGER BAR, AJN02035, 42 INCH, FOR UG
Saftey Siren Pro Series Wall Plug Detector	145	HS80501	1512674	DETECTOR, HS80501, HOME SAFETY, LEAK LP
Test Adapters	145	10-038	1515535	ADAPTOR, 10-038, THEMOCOUPLE TEST,
Flashlights	152	2217	1549277	FLASHLIGHT,2217,LED,CLASS 1,DIV 1
Monkey Grip Gloves	152	23-193	1515744	GLOVE, 23-193, MONKEYGRIP, ORANGE,PR.,
Work Gloves	152	78-150	1533163	GLOVE, 78-150, WHITE, INSULATOR
Work Gloves	152	Z1310	1537789	GLOVES, Z1310, LEATHER PALM, WORK
Chock Blocks	153	HRQXXX	1547100	CHOCK BLOCK,CONTOURED RUBBER ,RMI
Chock Blocks	153	LWCXXX	1535126	CHOCK BLOCK, LWC, SMALL SIZE,
Chock Blocks	153	ME200	1541423	CHOCK, ME200, MARSHALL EXCELSIOR, STEEL,
Chock Blocks	153	ME200B	1544667	CHOCK, ME200B,MARSHALL EXCELSIOR, HOLDER
Chock Blocks	153	MWCXXX	1534135	CHOCK BLOCK, MWC, MEDIUM SIZE
Emergency Response Kit	153	ER-1	1515876	KIT, ER-1, R.MURRAY, EMERGENCY RESPONSE,

Catalog Section	Page #	RMI Part #	B2B Item #	Description
Kits for Larger Motor Fuel Filling Requirements	155	104-16	1521707	ELBOW, 1", SCH 80, BLACK STEEL, 90 DEGR
Kits for Larger Motor Fuel Filling Requirements	155	106-1612	1507203	BUSHING, 603170, 1"X3/4" SCH80
Kits for Larger Motor Fuel Filling Requirements	155	108-12	1523401	TEE, 3/4", SCH 80, BLACK STEEL
Kits for Larger Motor Fuel Filling Requirements	155	109-16	1505207	UNION, 1", SCH 80, FORGED STEEL
Kits for Larger Motor Fuel Filling Requirements	155	125-02	1502879	NIPPLE, 1" X 2", SCH 80, BLACK STEEL
Kits for Larger Motor Fuel Filling Requirements	155	125-03	1503340	NIPPLE, 1" X 3", SCH 80, BLACK STEEL
Kits for Larger Motor Fuel Filling Requirements	155	125-06	1522764	NIPPLE, 1" X 6", SCH 80, BLACK STEEL
Kits for Larger Motor Fuel Filling Requirements	155	C407M10-04	1546398	VALVE, C407M10-04, FISHER, INTERNAL,
Kits for Larger Motor Fuel Filling Requirements	155	FLEX 1-12	1512411	CONNECTOR, FLEX1-12, FLEXIBLE, DBL BRAID
Kits for Larger Motor Fuel Filling Requirements	155	GB-400	1516077	GAUGE, GB-400, PRESS., 0-400#, POL BRASS
Kits for Larger Motor Fuel Filling Requirements	155	LGF1P-1.5HP	1516930	PUMP, LGF1P-1.5HP, BLACKMER, w/1.5HP
Kits for Larger Motor Fuel Filling Requirements	155	LPGH-3/4-3C	1541736	HOSE, LPGH-3/4-3C, DAYCO, 3/4" MNPT x 3'
Kits for Larger Motor Fuel Filling Requirements	155	ME210	1524122	ADAPTOR, ME210, MARSHALL EXCELSIOR
Kits for Larger Motor Fuel Filling Requirements	155	ME449	1539271	VALVE, ME-449, MARSHAL EXCEL, TRANSFER,
Kits for Larger Motor Fuel Filling Requirements	155	ME516	1539374	FITTING, ME516, MARSH EXCEL, FILLER
Kits for Larger Motor Fuel Filling Requirements	155	ME635-6	1534284	COUPLING, ME635-6, MARSHALL EXCEL
Kits for Larger Motor Fuel Filling Requirements	155	ME652S	1545714	Y-STRAINER, ME652S, MARSH EXCEL, WO PLUG
Kits for Larger Motor Fuel Filling Requirements	155	ME820-6	1534564	VALVE, ME820-6, MARSHAL EXCEL, QUICK
Kits for Larger Motor Fuel Filling Requirements	155	ME880-6/14	1546397	VALVE, ME880-6/14, MEC, 3/4" FNPT x 3/4" MNPT
Kits for Larger Motor Fuel Filling Requirements	155	ME880-6/22	1542546	VALVE, ME880-6/22, MEC, 3/4", EXCESS, 22GPM
Kits for Larger Motor Fuel Filling Requirements	155	MEH225	1540684	VALVE, MEH225, MARSHALL EXCEL, 1/4" MNPT
Kits for Larger Motor Fuel Filling Requirements	155	MEJ400	1539877	GAUGE, ME-J400, MARSHALL EXCEL,
Kits for Larger Motor Fuel Filling Requirements	155	MEJ402S	1543677	VALVE, MEJ402S, MEC, RELIEF-BLEEDER,
Kits for Portable Cylinder and Small Motor Fuel Filling Requirements	155	103-16	1541890	ELBOW, 1", SCH 80, 45 DEG, FORGED STEEL
Kits for Portable Cylinder and Small Motor Fuel Filling Requirements	155	104-16	1521707	ELBOW, 1", SCH 80, BLACK STEEL, 90 DEGR
Kits for Portable Cylinder and Small Motor Fuel Filling Requirements	155	106-1208	1537969	BUSHING, 3/4 x 1/2, SCH 80, 603145,
Kits for Portable Cylinder and Small Motor Fuel Filling Requirements	155	106-1612	1507203	BUSHING, 603170, 1"X3/4" SCH80
Kits for Portable Cylinder and Small Motor Fuel Filling Requirements	155	107-1208	1502983	COUPLING, 3/4 X 1/2, SCH 80, BLACK PIPE
Kits for Portable Cylinder and Small Motor Fuel Filling Requirements	155	108-12	1523401	TEE, 3/4", SCH 80, BLACK STEEL
Kits for Portable Cylinder and Small Motor Fuel Filling Requirements	155	109-16	1505207	UNION, 1", SCH 80, FORGED STEEL
Kits for Portable Cylinder and Small Motor Fuel Filling Requirements	155	124-03	1521777	NIPPLE, 3/4" X 3", SCH 80, FORGED STEEL
Kits for Portable Cylinder and Small Motor Fuel Filling Requirements	155	125-02	1502879	NIPPLE, 1" X 2", SCH 80, BLACK STEEL
Kits for Portable Cylinder and Small Motor Fuel Filling Requirements	155	125-03	1503340	NIPPLE, 1" X 3", SCH 80, BLACK STEEL
Kits for Portable Cylinder and Small Motor Fuel Filling Requirements	155	125-06	1522764	NIPPLE, 1" X 6", SCH 80, BLACK STEEL
Kits for Portable Cylinder and Small Motor Fuel Filling Requirements	155	C407M10-04	1546398	VALVE, C407M10-04, FISHER, INTERNAL,
Kits for Portable Cylinder and Small Motor Fuel Filling Requirements	155	FLEX 1-12	1512411	CONNECTOR, FLEX1-12, FLEXIBLE, DBL BRAID
Kits for Portable Cylinder and Small Motor Fuel Filling Requirements	155	GB-400	1516077	GAUGE, GB-400, PRESS., 0-400#, POL BRASS
Kits for Portable Cylinder and Small Motor Fuel Filling Requirements	155	LGF1-1HP	1517091	PUMP & MOTOR KIT, LGF1-1HP, BLACKMER,
Kits for Portable Cylinder and Small Motor Fuel Filling Requirements	155	LPGH-3/4-3C	1541736	HOSE, LPGH-3/4-3C, DAYCO, 3/4" MNPT x 3'
Kits for Portable Cylinder and Small Motor Fuel Filling Requirements	155	ME202	1547607	SNUBBER, ME202, MEC, 1/4" MNPT x 1/4" FNPT 54
Kits for Portable Cylinder and Small Motor Fuel Filling Requirements	155	ME390	1524155	COUPLING, ME390, MARSHALL EXCEL,
Kits for Portable Cylinder and Small Motor Fuel Filling Requirements	155	ME392	1517172	ADAPTER, ME392, OPD STYLEFILL,
Kits for Portable Cylinder and Small Motor Fuel Filling Requirements	155	ME449	1539271	VALVE, ME-449, MARSHAL EXCEL, TRANSFER,
Kits for Portable Cylinder and Small Motor Fuel Filling Requirements	155	ME568	1540043	ADAPTOR, ME568, MARSH EXCEL, 1 3/4" ACME BY
Kits for Portable Cylinder and Small Motor Fuel Filling Requirements	155	ME652S	1545714	Y-STRAINER, ME652S, MARSH EXCEL, WO PLUG
Kits for Portable Cylinder and Small Motor Fuel Filling Requirements	155	ME791C	1538839	VALVE, ME791C, MARSHALL EXCEL, HOSE,
Kits for Portable Cylinder and Small Motor Fuel Filling Requirements	155	ME880-6/14	1546397	VALVE, ME880-6/14, MEC, 3/4" FNPT x 3/4" MNPT
Kits for Portable Cylinder and Small Motor Fuel Filling Requirements	155	ME880-6/22	1542546	VALVE, ME880-6/22, MEC, 3/4", EXCESS, 22GPM
Kits for Portable Cylinder and Small Motor Fuel Filling Requirements	155	MEH225	1540684	VALVE, MEH225, MARSHALL EXCEL, 1/4" MNPT
Kits for Portable Cylinder and Small Motor Fuel Filling Requirements	155	MEJ402S	1543677	VALVE, MEJ402S, MEC, RELIEF-BLEEDER,
Kits for Portable Cylinder and Small Motor Fuel Filling Requirements	155	PF-11B	1523508	KIT, PF-11B, FOR PUMP STATION CABT INSTL
Kits for Portable Cylinder and Small Motor Fuel Filling Requirements	155	PK-11	1523507	KIT, PK-11, FOR PUMP STATION CABT INSTL
Blackmer D2 Fill Station Kit	156	104-12	1521703	ELBOW, 3/4, SCH 80, 90 DEG, FORGED STEEL
Blackmer D2 Fill Station Kit	156	104-16	1521707	ELBOW, 1", SCH 80, BLACK STEEL, 90 DEGR
Blackmer D2 Fill Station Kit	156	105-12	1502974	PLUG, 3/4", SCH 80, HEX HEAD, BLACK PIPE,
Blackmer D2 Fill Station Kit	156	109-16	1505207	UNION, 1", SCH 80, FORGED STEEL
Blackmer D2 Fill Station Kit	156	124-00	1502867	NIPPLE, CLOSE, 3/4", SCH 80
Blackmer D2 Fill Station Kit	156	125-06	1522764	NIPPLE, 1" X 6", SCH 80, BLACK STEEL
Blackmer D2 Fill Station Kit	156	C407M10-04	1546398	VALVE, C407M10-04, FISHER, INTERNAL,
Blackmer D2 Fill Station Kit	156	FLEX 1-12	1512411	CONNECTOR, FLEX1-12, FLEXIBLE, DBL BRAID
Blackmer D2 Fill Station Kit	156	GB-400	1516077	GAUGE, GB-400, PRESS., 0-400#, POL BRASS
Blackmer D2 Fill Station Kit	156	LGF1P-1.5HP	1516930	PUMP, LGF1P-1.5HP, BLACKMER, w/1.5HP
Blackmer D2 Fill Station Kit	156	LPGH-3/4-3C	1541736	HOSE, LPGH-3/4-3C, DAYCO, 3/4" MNPT x 3'
Blackmer D2 Fill Station Kit	156	ME202	1547607	SNUBBER, ME202, MEC, 1/4" MNPT x 1/4" FNPT 54
Blackmer D2 Fill Station Kit	156	ME353	1540086	ADAPTOR, ME353, MEC, POLX3/8 MALE FLARE
Blackmer D2 Fill Station Kit	156	ME393	1534231	COUPLING, ME-393, MARSHALL EXCEL,
Blackmer D2 Fill Station Kit	156	ME449	1539271	VALVE, ME-449, MARSHAL EXCEL, TRANSFER,
Blackmer D2 Fill Station Kit	156	ME516	1539374	FITTING, ME516, MARSH EXCEL, FILLER
Blackmer D2 Fill Station Kit	156	ME569	1538182	ADAPTOR, ME569, MARSH EXCEL,
Blackmer D2 Fill Station Kit	156	ME652S	1545714	Y-STRAINER, ME652S, MARSH EXCEL, WO PLUG
Blackmer D2 Fill Station Kit	156	ME791CJ	1539614	VALVE, ME791CJ, MARSHALL EXCEL, 1/2FX1/4F
Blackmer D2 Fill Station Kit	156	ME815-6	1541833	VALVE, ME815-6, MEC, ANGLE, 3/4, 2 SIDE PORT
Blackmer D2 Fill Station Kit	156	ME860S-6	1538048	BREAKAWAY, ME860S-6, MARSH EXCEL,
Blackmer D2 Fill Station Kit	156	ME870-6	1547836	VALVE, ME870-6, MEC, 3/4FPTx3/4 MPT, BACK
Blackmer D2 Fill Station Kit	156	ME880-6/14	1546397	VALVE, ME880-6/14, MEC, 3/4" FNPT x 3/4" MNPT
Blackmer D2 Fill Station Kit	156	ME880-6/22	1542546	VALVE, ME880-6/22, MEC, 3/4", EXCESS, 22GPM
Blackmer D2 Fill Station Kit	156	MEH225	1540684	VALVE, MEH225, MARSHALL EXCEL, 1/4" MNPT
Blackmer D2 Fill Station Kit	156	MEJ602H	1548249	ELBOW, MEJ602H, MEC, 1/4" W/ RELIEF & BLEED
Blackmer D2 Fill Station Kit	156	PF-D2	1534635	KIT, PF-D2, FITTING, FOR A D-2 CABINET
Blackmer D2 Fill Station Kit	156	PK-D2	1534634	KIT, PK-D2, VALVING, FOR A D-2 CABINET





Catalog Section	Page #	RMI Part #	B2B Item #	Description
Blackmer 1-1/4" Package	157	104-20	1523457	ELBOW, 1 1/4", 90 DEGREE,SCH 80
Blackmer 1-1/4" Package	157	108-12	1523401	TEE, 3/4", SCH 80, BLACK STEEL
Blackmer 1-1/4" Package	157	109-20	1537967	UNION, 1-1/4", SCH 80,STEEL
Blackmer 1-1/4" Package	157	124-03	1521777	NIPPLE,3/4" X 3", SCH 80, FORGED STEEL
Blackmer 1-1/4" Package	157	126-03	1537972	NIPPLE, 1-1/4" X 3", STEEL, SCH 80,
Blackmer 1-1/4" Package	157	126-06	1537973	NIPPLE, 1-1/4" X 6", SCH 80, STEEL
Blackmer 1-1/4" Package	157	C407M10-04	1546398	VALVE, C407M10-04, FISHER, INTERNAL,
Blackmer 1-1/4" Package	157	FLEX 1 1/4-14	1512412	CONNECTOR,1-1/4-14", FLEX, DBL. BRAID,SS
Blackmer 1-1/4" Package	157	GB-400	1516077	GAUGE, GB-400, PRESS.,0-400#, POL BRASS
Blackmer 1-1/4" Package	157	LPGH-3/4-3C	1541736	HOSE, LPGH-3/4-3C, DAYCO, 3/4" MNPT x 3'
Blackmer 1-1/4" Package	157	ME210	1524122	ADAPTOR, ME210,MARSHALL EXCELSIOR
Blackmer 1-1/4" Package	157	ME390	1524155	COUPLING, ME390, MARSHALL EXCEL,
Blackmer 1-1/4" Package	157	ME449	1539271	VALVE, ME-449, MARSHAL EXCEL, TRANSFER,
Blackmer 1-1/4" Package	157	ME516	1539374	FITTING, ME516, MARSH EXCEL, FILLER
Blackmer 1-1/4" Package	157	ME635-6	1534284	COUPLING, ME635-6, MARSHALL EXCEL
Blackmer 1-1/4" Package	157	ME653S	1542453	STRAINER,ME653S, MEC,1-1/4" FNPT x 1-1/4
Blackmer 1-1/4" Package	157	ME860S-6	1538048	BREAKAWAY, ME860S-6, MARSH EXCEL,
Blackmer 1-1/4" Package	157	ME880-6/14	1546397	VALVE,ME880-6/14,MEC,3/4"FNPT x 3/4"MNPT
Blackmer 1-1/4" Package	157	MEH225	1540684	VALVE,MEH225,MARSHALL EXCEL, 1/4" MNPT
Blackmer 1-1/4" Package	157	MEJ602H	1548249	ELBOW,MEJ602H,MEC,1/4" W/ RELIEF & BLEED
Blackmer 1-1/4" Package	157	NMF20BK	1526033	VALVE, NMF20BK, NEEDLE
Blackmer 1-1/4" Package	157	PKV-125	1512531	KIT, PKV-125, BLACKMERE,VALVE,
Corken 1-1/4" Package	157	104-20	1523457	ELBOW, 1 1/4", 90 DEGREE,SCH 80
Corken 1-1/4" Package	157	106-1208	1537969	BUSHING,3/4 x 1/2, SCH 80, 603145,
Corken 1-1/4" Package	157	108-12	1523401	TEE, 3/4", SCH 80, BLACK STEEL
Corken 1-1/4" Package	157	109-20	1537967	UNION, 1-1/4", SCH 80,STEEL
Corken 1-1/4" Package	157	126-03	1537972	NIPPLE, 1-1/4" X 3", STEEL, SCH 80,
Corken 1-1/4" Package	157	126-06	1537973	NIPPLE, 1-1/4" X 6", SCH 80, STEEL
Corken 1-1/4" Package	157	C407M10-04	1546398	VALVE, C407M10-04, FISHER, INTERNAL,
Corken 1-1/4" Package	157	FLEX 1 1/4-14	1512412	CONNECTOR,1-1/4-14", FLEX, DBL. BRAID,SS
Corken 1-1/4" Package	157	GB-400	1516077	GAUGE, GB-400, PRESS.,0-400#, POL BRASS
Corken 1-1/4" Package	157	LPGH-3/4-3C	1541736	HOSE, LPGH-3/4-3C, DAYCO, 3/4" MNPT x 3'
Corken 1-1/4" Package	157	ME390	1524155	COUPLING, ME390, MARSHALL EXCEL,
Corken 1-1/4" Package	157	ME449	1539271	VALVE, ME-449, MARSHALL EXCEL, TRANSFER,
Corken 1-1/4" Package	157	ME653S	1542453	STRAINER,ME653S, MEC,1-1/4" FNPT x 1-1/4
Corken 1-1/4" Package	157	ME791CJ	1539614	VALVE, ME791CJ, MARSHALL EXCEL,1/2FX1/4F
Corken 1-1/4" Package	157	ME860S-6	1538048	BREAKAWAY, ME860S-6, MARSH EXCEL,
Corken 1-1/4" Package	157	ME880-6/14	1546397	VALVE,ME880-6/14,MEC,3/4"FNPT x 3/4"MNPT
Corken 1-1/4" Package	157	ME880-6/22	1542546	VALVE,ME880-6/22,MEC,3/4", EXCESS,22GPM
Corken 1-1/4" Package	157	MEH225	1540684	VALVE,MEH225,MARSHALL EXCEL, 1/4" MNPT
Corken 1-1/4" Package	157	MEJ602H	1548249	ELBOW,MEJ602H,MEC,1/4" W/ RELIEF & BLEED
Corken 1-1/4" Package	157	NMF20BK	1526033	VALVE, NMF20BK, NEEDLE
Corken 1-1/4" Package	157	PKB-C1012	1505283	BREAK-AWAY, PKB-C1012, CORKEN,
Corken 1-1/4" Package	157	PKF-C1012	1539021	KIT, PKF-C1012, CORKEN, FITTING
Corken 1-1/4" Package	157	PKV-C1012	1504952	KIT, PKV-C1012, CORKEN, REPAIR
Automatic Cylinder Filling Valve	159	N201	1505493	VALVE, N201, FISHER, AUTO CYLINDER FILLI
Break-A-Way Couplings	159	ME860S-6	1538048	BREAKAWAY, ME860S-6, MARSH EXCEL,
Break-A-Way Couplings	159	ME861S-6	1538871	COUPLING, ME861S-6, MARSH EXCEL,
Break-A-Way Couplings	159	MEP128-6	1540531	COUPLING,MEP128-6, MARSH EXCEL
Tank Mounting Stands	159	MT-PUMP-2	1523505	STAND, MT-PUMP-2, TANK MT SUPPORT,
Tank Mounting Stands	159	MT-TANK-2	1523504	STAND, MT-TANK-2, TANK MT SUPPORT,
Fairbanks Portable Scales	160	1124	1538181	SCALE, 1124,FAIRBANKS,1000#,STANDARD
Fairbanks Portable Scales	160	1124-100	1540464	COUNTERWEIGHT, 1124-100, 100 LB
Fairbanks Portable Scales	160	1124-L	1539864	SCALE, 1124-L, FAIRBANKS, TALL PILLAR
Fairbanks Portable Scales	160	1124-S	1541348	SCALE,1124-S,FAIRBANKS,1000#,SHORT PILLA
Fill Station Nozzles	160	ME516	1539374	FITTING, ME516, MARSH EXCEL, FILLER
Fill Station Nozzles	160	ME791CJ	1539614	VALVE, ME791CJ, MARSHALL EXCEL,1/2FX1/4F
Bobtail Diagram	163	C407-10-08	1546350	VALVE, C407-10-08, FISHER, 1-1/4 INTERNAL
Bobtail Diagram	163	F101	1504374	VALVE, F101, FISHER, EXCESS FLOW, 3/4 MN
Bobtail Diagram	163	H124	1504487	VALVE, H124, FISHER, RELIEF, 450 PSI,
Bobtail Diagram	163	H722-250	1528340	VALVE, H722-250, FISHER, 250 PSI, 2"MNPT
Bobtail Diagram	163	M570	1505436	ADAPTOR, M570, FISHER, HOSE, 1-3/4 ACM
Bobtail Diagram	163	ME200	1541423	CHOCK, ME200, MARSHALL EXCELSIOR, STEEL,
Bobtail Diagram	163	ME200B	1544667	CHOCK, ME200B,MARSHALL EXCELSIOR, HOLDER
Bobtail Diagram	163	ME205	1541849	ACTUATOR, ME205, MARSHALL EXCELSIOR, AIR
Bobtail Diagram	163	ME207	1546547	ACTUATOR,ME207,MEC,POWER STROKE AIR
Bobtail Diagram	163	ME217	1524130	ADAPTOR, ME217,MARSHALL EXCELSIOR
Bobtail Diagram	163	ME441F8-1C	1547588	F.ACME CAP,ME441F8-1C,MEC,3-1/4" F,
Bobtail Diagram	163	ME503-16	1524138	ADAPTOR, ME503-16, MARSHALL EXCEL
Bobtail Diagram	163	ME571H	1542932	ADAPTOR, ME-571H, MEC,HIGH CAPACITY
Bobtail Diagram	163	ME825-10	1541416	VALVE,ME825-10, MEC, 1 1/4" GLOBE
Bobtail Diagram	163	ME825-16	1542342	VALVE, ME825-16, MARSH EXCEL, GLOBE,
Bobtail Diagram	163	ME880-6/22	1542546	VALVE,ME880-6/22,MEC,3/4", EXCESS,22GPM
Bobtail Diagram	163	MEH225	1540684	VALVE,MEH225,MARSHALL EXCEL, 1/4" MNPT
Bobtail Diagram	163	N310-10	1505528	VALVE, N310-10, FISHER, GLOBE, 1 1/4 NPT
Bobtail Diagram	163	N310-16	1505530	VALVE, N310-16, FISHER, GLOBE, 2 NPT
Bobtail Diagram	163	P389	1504683	KIT, P389, FISHER, CYLINDER ACTUATOR
Bobtail Diagram	163	P623	1546546	ACTUATOR,P623,FISHER,PNEUMATIC,



Catalog Section	Page #	RMI Part #	B2B Item #	Description
Bulk Plant Diagram	165	BV-2	1546738	VALVE,893980,BLACKMER,BV-2,2" BYPASS
Bulk Plant Diagram	165	C407-10-08	1546350	VALVE, C407-10-08, FISHER, 1-1/4 INTERNAL
Bulk Plant Diagram	165	C477-16-25	1540800	VALVE, C477-16-25, FISHER, 2" INTERNAL, JET
Bulk Plant Diagram	165	H124	1504487	VALVE, H124, FISHER, RELIEF, 450 PSI,
Bulk Plant Diagram	165	J700	1504585	GAUGE, J700, FISHER, THERMOMETER, 4" STE
Bulk Plant Diagram	165	ME130	1524116	COUPLING, ME130, MARSHALL EXCELSIOR
Bulk Plant Diagram	165	ME205	1541849	ACTUATOR, ME205, MARSHALL EXCELSIOR, AIR
Bulk Plant Diagram	165	ME206	1534381	AIR ACTUATOR, ME206, MARSHALL EXCELSIOR
Bulk Plant Diagram	165	ME217	1524130	ADAPTOR, ME217, MARSHALL EXCELSIOR
Bulk Plant Diagram	165	ME252-16	1539027	ADAPTOR, ME252, MARSHALL EXCELSIOR
Bulk Plant Diagram	165	ME551	1544662	AIR ACTUATOR, ME551, MEC, SAFETY STROKE
Bulk Plant Diagram	165	ME825-10	1541416	VALVE, ME825-10, MEC, 1 1/4" GLOBE
Bulk Plant Diagram	165	ME825-16	1542342	VALVE, ME825-16, MARSH EXCEL, GLOBE,
Bulk Plant Diagram	165	ME8755-16	1543666	VALVE, ME8755-16, MARSHALL EXCEL, SIGHT
Bulk Plant Diagram	165	MEH225	1540684	VALVE, MEH225, MARSHALL EXCEL, 1/4" MNPT
Bulk Plant Diagram	165	N310-10	1505528	VALVE, N310-10, FISHER, GLOBE, 1 1/4 NPT
Bulk Plant Diagram	165	N310-16	1505530	VALVE, N310-16, FISHER, GLOBE, 2 NPT
Bulk Plant Diagram	165	N551-10	1545726	VALVE, N551-10, FISHER, EMERGENCY SHUTOFF
Bulk Plant Diagram	165	N551-16	1545511	VALVE, N551-16, FISHER, EMERGENCY SHUTOFF
Bulk Plant Diagram	165	P389	1504683	KIT, P389, FISHER, CYLINDER ACTUATOR
Bulk Plant Diagram	165	P539A	1542633	CYLINDER, P539, FISHER, PNEUMATIC
Bulk Plant Diagram	165	P639A	1548514	AIR ACTUATOR, P639A, FISHER, BRAKE CHAMBER
LGF1 Fill Station Pump	166	LGF1	1538986	PUMP ONLY, BLACKMER, LGF1, 1HP
LGF1 Fill Station Pump	166	LGF1-1HP	1517091	PUMP & MOTOR KIT, LGF1-1HP, BLACKMER,
LGF1 Fill Station Pump	166	LGF1P	1527216	PUMP, BLACKMER, LGF1P, PUMP ONLY
LGF1 Fill Station Pump	166	LGF1P-1.5HP	1516930	PUMP, LGF1P-1.5HP, BLACKMER, w/1.5HP
LGRLF Fill Station Pump	166	BV-3/4	1516699	VALVES, BV-3/4, BLACKMER, BYPASS, 25-60 GPM
LGRLF Fill Station Pump	166	EMC-1.5	1516951	MOTOR, EMC-1.5, BALDOR, 1.5 HP
LGRLF Fill Station Pump	166	EMC-2	1545581	MOTOR, EMC-2, BALDOR, 2HP, SINGLE PHASE
LGRLF Fill Station Pump	166	EMCT-2	1541425	MOTOR, EMCT-2, BALDOR,
LGL Large Fill System Pumps	167	LGLD3E	1516695	PUMP, LGLD3E, BLACKMER, BULK TRANSFER,
LGL Series Truck Pumps	168	LGLD3E	1516695	PUMP, LGLD3E, BLACKMER, BULK TRANSFER,
TLGLF3 Truck Pump	168	300/0300	1545628	GASKET, 300-0300, 3 INCH, SPIRAL WOUND
Explosion Proof Switches & Starters for Propane Installations	191	609-AHX	1547464	STARTER SWITCH, 609-AHX, MANUAL W/HEATER
Explosion Proof Switches & Starters for Propane Installations	191	XS-52C	1512307	SWITCH, XS-52C, BLAND ELECTRICAL, SINGLE
Motors	192	EM-3	1526075	MOTOR, EM-3, 3HP, 230/460v ELECTRIC,
Motors	192	EM-5	1540958	MOTOR, EM-5, BALDOR, 5 HP, 1725 RPM
Motors	192	EMC-1	1523551	MOTOR, EMC-1, FOR BLACKMER PUMP, 1 HP
Motors	192	EMC-2	1545581	MOTOR, EMC-2, BALDOR, 2HP, SINGLE PHASE
Motors	192	EMCT-2	1541425	MOTOR, EMCT-2, BALDOR,
Motors	192	EMCT-7.5	1542891	MOTOR, EMCT-7.5, BALDOR,
Motors	192	EMS-5	1548398	MOTOR, EMS-5, BALDOR, 5HP, SINGLE PHASE
Blackmer Bypass Valves	193	BV-2	1546738	VALVE, 893980, BLACKMER, BV-2, 2" BYPASS
Blackmer Bypass Valves	193	BV-3/4	1516699	VALVES, BV-3/4, BLACKMER, BYPASS, 25-60 GPM
Fill Station Meters	197	400051-001	1516712	METER, 400051-001, NEPTUNE, 1" TYPE 4D
Registers	197	100498-009	1501846	REGISTER, 100498-009, NEPTUNE, COMPLETE,
Registers	197	100498-016	1516971	REGISTER, 100498-016, NEPTUNE, 1" METER
Registers	197	100553-201	1518564	MASKS, 100553-201, NEPTUNE
Flowmeter with Temperature Compensator - Types 4-MT & 4D-MT Parts Breakdown	198	45806-101	1522745	CHAMBER, 45806-101, NEPTUNE, MEASURING,
Flowmeter with Temperature Compensator - Types 4-MT & 4D-MT Parts Breakdown	198	84806-000	1501829	GASKET, 84806-000, NEPTUNE, MAIN CASE
Vapor Release & Strainer Parts Breakdown	199	100139-022	1501907	O-RING, 100139-022, NEPTUNE, GASKET
Vapor Release & Strainer Parts Breakdown	199	101405-004	1501890	STRAINER, 101405-004, NEPTUNE,
Temperature Compensator Parts Breakdown	200	100025-002	1519981	U-CUP, 100025-002, NEPTUNE,
Temperature Compensator Parts Breakdown	200	100138-003	1538473	ORING, 100138-003, NEPTUNE,
Temperature Compensator Parts Breakdown	200	82976-001	1525140	ASSEMBLY, 082976-001, NEPTUNE, STAR CONNE
Temperature Compensator Parts Breakdown	200	83502-000	1501827	GEAR, 83502-000, NEPTUNE, TRAIN, 2", 3.7
Temperature Compensator Parts Breakdown	200	83539-000	1519982	EXPANDER, 83539-000, NEPTUNE
Temperature Compensator Parts Breakdown	200	83540-000	1520478	SPRING, 83540-000, BOX
Differential Valve Parts Breakdown	201	100139-001	1543577	O-RING, 100139-001, NEPTUNE
3/4"-1" 4D & 4D-MD Diagram	202	100028-001	1521944	VALVE, 100028-001, NEPTUNE, 3/4",
3/4"-1" 4D & 4D-MD Diagram	202	100139-006	1539283	O-RING, 100139-006, SLEEVE SEAL
3/4"-1" 4D & 4D-MD Diagram	202	100139-007	1522457	O-RING, 100139-007, NEPTUNE,
3/4"-1" 4D & 4D-MD Diagram	202	100139-012	1501842	O-RING, 100139-012, NEPTUNE, 236, 3/4"
3/4"-1" 4D & 4D-MD Diagram	202	100498-016	1516971	REGISTER, 100498-016, NEPTUNE, 1" METER
3/4"-1" 4D & 4D-MD Diagram	202	101748-001	1543575	CHAMBER, 101748-001, NEPTUNE, 1"
3/4"-1" 4D & 4D-MD Diagram	202	601522-001	1548633	GASKET, 601522-001, 3/4-1", VITON MAIN CASE
Strainer Assembly	208	A2431	1501931	SCREEN, A2431, STRAINER FOR LC METER
Air & Vapor Eliminators	209	H124	1504487	VALVE, H124, FISHER, RELIEF, 450 PSI,
Hose Reel Guides	214	FH-3	1504656	ASSEMBLY, FH-3, 9939.0042, COMPLETE
Hose Reel Guides	214	GM-X-EP	1548886	GUIDEMASTER, GM-X-EP, HANNAY, COMPLETE
EPB Series Hose Reel Parts List	216	9902.1612	1549504	BEARING, 9902.1612, HANNAY, 1 1/2 BEARING
EPB Series Hose Reel Parts List	216	9910.0917	1542792	SPROCKET, 9910.0917, HANNAY, 1 5/16"
EPB Series Hose Reel Parts List	216	HR-27	1520108	KEYWAY, HR-27, SPROCKET, HANNAY
GM-X Guidemaster Parts List	217	9945.1003	1520318	PINLOCK, 9945.1003, HANNAY, ASSEMBLY
GM-X Guidemaster Parts List	217	9945.1005	1542114	BOLT, 9945.1005, HANNAY, ROLLER
GM-X Guidemaster Parts List	217	EPS-1	1504648	SWITCH, EPS-1, HANNAY, 9917.0200
GM-X Guidemaster Parts List	217	GMX-609	1548835	ROLLER, GMX-609, HANNAY, W/BEARING FOR
GM-X Guidemaster Parts List	217	GM-X-EP	1548886	GUIDEMASTER, GM-X-EP, HANNAY, COMPLETE



Catalog Section	Page #	RMI Part #	B2B Item #	Description
Common Parts	218	9910.0919	1542796	SPROCKET, 9910.0919, HANNAY, 1 3/4"
Common Parts	218	9917.0207	1504838	BRACKET, 9917.0207, HANNAY
Common Parts	218	9939.0062	1543011	ASSEMBLY, 9939.0062, HANNAY, HOSE REEL
Common Parts	218	9947.0090	1540874	ASSEMBLY, 9947.0090, HANNAY, COMET BRAKE
Common Parts	218	83280	1504728	COVER, 9917.0008, 83280, HANNAY, RUBBER,
Common Parts	218	90018	1504729	SWITCH, 9917.0006, 90018, HANNAY, LESS
Common Parts	218	001XXX	1504732	MOTOR, 9915.0003, HANNAY, EXPLOSION PROOF
Common Parts	218	002XXX	1504826	MOTOR, 9915.0013, HANNAY, EXPLOSION PROOF
Common Parts	218	11T35A	1504660	SPROCKET, 9910.1116, HANNAY, MOTOR,
Common Parts	218	11T35B	1504661	SPROCKET, 9910-1118, HANNAY, MOTOR,
Common Parts	218	11T35C	1545356	SPROCKET, 9910.1119, HANNAY, 1 3/4 LONG
Common Parts	218	11T35D	1537686	SPROCKET, 11T35D, HANNAY, 1 1/16"
Common Parts	218	35C10	1522975	CHAIN, 9912.0001, HANNAY,
Common Parts	218	40C10	1542798	CHAIN, 9912.0008, HANNAY, 40C10,
Common Parts	218	EXPB-2A	1504653	SWITCH, 9917.0001, EXPB-2A, HANNAY,
Common Parts	218	GM-608	1542112	BALL BEARING, GM-608, HANNAY, FOR 609
Common Parts	218	HR-23	1543687	INSERT, HR-23, HANNAY, BALL BEARING, 1"
Common Parts	218	HR-25	1517058	BEARING, HR-25, HANNAY, SELF-ALIGN BALL
Common Parts	218	HR-35	1537507	MASTERLINK, HR35, HANNAY
Common Parts	218	JBC-1	1524680	JUNCTION, JBC-1, BOX
Full Circle Swivels	219	SMAC-112	1504836	SWIVEL, SMAC-112, SMITH, 1 1/2", 90
Full Circle Swivels	219	SMAC-190LN	1541028	SWIVEL, SMAC-190LN, 1", SMITH TECH,
Full Circle Swivels	219	SMAC-200	1538905	SWIVEL, SMAC-200, FULL CIRCLE, 2" STRAIGHT
Marshall E-Z Turn Swivels	219	ME850SS-6	1539771	SWIVEL, ME850SS-6, MARSHALL EXCEL, 3/4"
Marshall E-Z Turn Swivels	219	ME850SS-8	1538938	SWIVEL, ME850SS-8, MARSHALL EXCELSIOR,
BASE Engineering Bobtail Remote Shutoff Systems	221	ASKW200TX	1546129	HANDHELD, ASKW200TX, BASE ENG, MOBILE
BASE Engineering Bobtail Remote Shutoff Systems	221	LT-POUCH	1541090	CASE, CAS1000, BASE ENG, FOR REMOTE
MEC Accu-Max Float Gauges	222	ME930-212	1547193	GASKET, ME930-212, MEC, SPIRAL WOUND TEFLON
MEC Accu-Max Float Gauges	222	ME930-72	1544581	GAUGE, ME930-72, MEC, 4" GLOW/BLACK STD
MEC Accu-Max Float Gauges	222	ME930-79	1542455	GAUGE, ME930-79, MEC, 4", ACCU MAX, FLOAT
Fisher Rotary Gauges	223	P323	1504672	DIAL, P323, FISHER, ROTARY GAUGE,
Fisher Rotary Gauges	223	T10971000A2	1533501	CAP, T10971000A2, REPLACEMENT VENT
Tank Car Thermometer	223	T-10B	1537721	THERMOMETER, T-10B, TANK CAR
Thermometers	223	J700	1504585	GAUGE, J700, FISHER, THERMOMETER, 4" STE
Thermometers	223	J701	1504586	GAUGE, J701, FISHER, THERMOMETER, 6"
Thermometers	223	MEJ701	1539780	THERMOMETER, MEJ701, MEC, 6" PROBE,
Thermometers	223	MEJ703	1543594	THERMOMETER, MEJ703, MEC, 3" DIAL SS
Stainless Steel Flexible Connectors	224	FLEX 1/2-12	1520617	CONNECTOR, FLEX 1/2 X 12, FOR LIQUID LP
Stainless Steel Flexible Connectors	224	FLEX 1-12	1512411	CONNECTOR, FLEX1-12, FLEXIBLE, DBL BRAID
Stainless Steel Flexible Connectors	224	FLEX 2-18	1513019	CONNECTOR, FLEX2-18, FLEXIBLE, SS FOR
Stainless Steel Flexible Connectors	224	FLEX 3/4-12	1520616	CONNECTOR, FLEX 3/4 X 12, FOR LIQUID LP
Fisher Globe & Angle Valves	225	N301-04	1505496	VALVE, N301-04, FISHER, GLOBE, 1/2 NPT
Fisher Globe & Angle Valves	225	N301-08	1505498	VALVE, N301-08, FISHER, GLOBE, 1 NPT
Fisher Globe & Angle Valves	225	N310-10	1505528	VALVE, N310-10, FISHER, GLOBE, 1 1/4 NPT
Fisher Globe & Angle Valves	225	N310-12	1505529	VALVE, N310-12, FISHER, GLOBE, 1 1/2 NPT
Fisher Globe & Angle Valves	225	N310-16	1505530	VALVE, N310-16, FISHER, GLOBE, 2 NPT
Fisher Globe & Angle Valves	225	N401-04	1505533	VALVE, N401-04, FISHER, ANGLE, 1/2 NPT
Fisher Globe & Angle Valves	225	N401-06	1505534	VALVE, N401-06, FISHER, ANGLE, 3/4 NPT
Fisher Globe & Angle Valves	225	N401-08	1505535	VALVE, N401-08, FISHER, ANGLE, 1 NPT
Fisher Globe & Angle Valves	225	N410-10	1505536	VALVE, N410-10, FISHER, ANGLE, 1 1/4 NPT
Fisher Globe & Angle Valves	225	N410-16	1505538	VALVE, N410-16, FISHER, ANGLE, 2 NPT
Fisher Globe & Angle Valves	225	N450-06	1505542	VALVE, N450-06, FISHER, ANGLE, ECONOMY,
MEC Globe & Angle Valves	225	ME815-10	1540436	VALVE, ME815-10, MARSH EXCEL, ANGLE
MEC Globe & Angle Valves	225	ME815-24	1539347	VALVE, ME815-24, MARSH EXCEL, 3" ANGLE
MEC Globe & Angle Valves	225	ME815-6	1541833	VALVE, ME815-6, MEC, ANGLE, 3/4, 2 SIDE PORT
MEC Globe & Angle Valves	225	ME825-10	1541416	VALVE, ME825-10, MEC, 1 1/4" GLOBE
MEC Globe & Angle Valves	225	ME825-16	1542342	VALVE, ME825-16, MARSH EXCEL, GLOBE,
MEC Globe & Angle Valves	225	ME825-8	1539640	VALVE, ME825-8, MARSHALL EXCEL, GLOBE
Jomar Brass Single Union End Ball Valves	227	160-104	1512045	VALVE, 160-104, JOMAR, UNION, 3/4" END
Jomar Brass Single Union End Ball Valves	227	160-105	1534293	VALVE, 160-105, JOMAR, UNION, 1" END
Jomar Carbon Steel Flanged Ball Valves	227	600-230	1541685	VALVE, 600-230, FLANGED BALL, 300 LB
Jomar Carbon Steel Union End Ball Valves	227	100-994	1540246	VALVE, 100-994, JOMAR,
Jomar Carbon Steel Union End Ball Valves	227	100-995	1540250	VALVE, 100-995, JOMAR,
Jomar Carbon Steel Union End Ball Valves	227	100-996	1525396	VALVE, 100-996, JOMAR, 1 1/4", BALL
Jomar Carbon Steel Union End Ball Valves	227	100-997	1538198	VALVE, 100-997, JOMAR, 1 1/2", DOUBLE
Jomar Carbon Steel Union End Ball Valves	227	100-998	1542593	BALL VALVE, 100-998, JOMAR, 2", CS, FP,
Jomar Full-Port Brass Ball Valves	227	100-703	1539488	VALVE, 100-703, JOMAR, 1/2", BALL
Jomar Full-Port Brass Ball Valves	227	100-704	1542687	VALVE, 100-704, JOMAR, 3/4 X 3/4 SHUTOFF
Jomar Full-Port Brass Ball Valves	227	100-705	1512539	VALVE, 100-705, JOMAR, T-100 1"
Jomar Full-Port Brass Ball Valves	227	100-706	1542959	VALVE, 100-706, JOMAR, 1 1/4", BALL
Jomar Full-Port Brass Ball Valves	227	100-708	1512804	VALVE, 100-708, JOMAR, 2", SUPER BALL
Jomar Stainless Steel Full Port Ball Valves	228	100-963	1542334	VALVE, 100-963, JOMAR, 1/2", JOMAR SS,
Jomar Stainless Steel Full Port Ball Valves	228	100-964	1542333	VALVE, 100-964, JOMAR, 3/4", JOMAR SS,
Apollo Full Port Ball Valves With Spring Return Handle	229	71-504-01	1542864	VALVE, 71-504-01, 3/4", BRASS, STRAINER
Apollo Full Port Brass Ball Valves	229	80-100	1541404	VALVE, 80-100, APOLLO BALL, 3", CAST BRONZE
Apollo Full Port Brass Ball Valves	229	80-101	1520326	VALVE, 80-101, APOLLO, BALL, 1/4",
Apollo Full Port Brass Ball Valves	229	80-102	1544362	VALVE, 80-102, APOLLO BALL, 3/8",
Apollo Full Port Brass Ball Valves	229	80-103	1507200	VALVE, 80-103, 1/2" APOLLO, BALL
Apollo Full Port Brass Ball Valves	229	80-104	1538109	VALVE, 80-104, APOLLO, BALL, 3/4" THREAD
Apollo Full Port Brass Ball Valves	229	80-105	1512082	VALVE, 80-105, 1" APOLLO, BALL
Apollo Full Port Brass Ball Valves	229	80-107	1538659	VALVE, 80-107, APOLLO, BALL, 1 1/2"
Apollo Full Port Brass Ball Valves	229	80-108	1516102	VALVE, 80-108-01, APOLLO, BALL, 2"

Catalog Section	Page #	RMI Part #	B2B Item #	Description
Fisher Threaded Internal Valves	230	C407-10-04	1545845	VALVE, C407-10-04, FISHER, 1 1/4" NPT,
Fisher Threaded Internal Valves	230	C407-10-05	1505677	VALVE, C407-10-05, FISHER, 1-1/4 INTERNAL
Fisher Threaded Internal Valves	230	C407-10-08	1546350	VALVE, C407-10-08, FISHER, 1-1/4 INTERNAL
Fisher Threaded Internal Valves	230	C477-16-25	1540800	VALVE, C477-16-25, FISHER, 2" INTERNAL, JET
Fisher Flanged Internal Valves	231	300/0300	1545628	GASKET, 300-0300, 3 INCH, SPIRAL WOUND
Fisher Snappy Joe Emergency Shutoff Valves for Bulk Plants	234	N551-10	1545726	VALVE, N551-10, FISHER, EMERGENCY SHUTOFF
Fisher Snappy Joe Emergency Shutoff Valves for Bulk Plants	234	N551-16	1545511	VALVE, N551-16, FISHER, EMERGENCY SHUTOFF
Fisher Snappy Joe Emergency Shutoff Valves for Bulk Plants	234	P551	1523809	SPRING, P551, FISHER, EXTERNAL CLOSING
Fisher Snappy Joe Emergency Shutoff Valves for Bulk Plants	234	P551A	1505688	KIT, P551A, FISHER, RETROFIT CLOSURE
Fisher Snappy Joe Emergency Shutoff Valves for Railroad Tank Cars	234	N562-26	1526340	VALVE, N562-26, FISHER, EMERGENCY
MEC Emergency Shutoff Valves for Bulk Plants	235	ME980C-8	1548213	VALVE, ME980C-8, MEC, 1" FNPT, ESV W/ CABLE LA
Actuators	236	ME205	1541849	ACTUATOR, ME205, MARSHALL EXCELSIOR, AIR
Actuators	236	ME206	1534381	AIR ACTUATOR, ME206, MARSHALL EXCELSIOR
Actuators	236	ME207	1546547	ACTUATOR, ME207, MEC, POWER STROKE AIR
Actuators	236	ME551	1544662	AIR ACTUATOR, ME551, MEC, SAFETY STROKE
Actuators	236	P389	1504683	KIT, P389, FISHER, CYLINDER ACTUATOR
Actuators	236	P539A	1542633	CYLINDER, P539, FISHER, PNEUMATIC
Actuators	236	P623	1546546	ACTUATOR, P623, FISHER, PNEUMATIC,
Actuators	236	P639A	1548514	AIR ACTUATOR, P639A, FISHER, BRAKE CHAMBER
Internal Valve Filter	236	ME709	1540811	FILTER, ME709, MARSHALL EXCELSIOR, LP GAS
Pneumatic Tubing & Fittings	236	020064	1512827	TUBING, 020064, 1/4", 100 FT ROLL, BLACK
Pneumatic Tubing & Fittings	236	020064-500	1543338	TUBING, 020064-500, 1/4", BLACK POLYETHYLEN
Pneumatic Tubing & Fittings	236	AQ62DOT4	1538220	UNION, AQ62DOT4, TUBE X TUBE, 1/4"
Pneumatic Tubing & Fittings	236	AQ64DOT4	1538221	TEE, AQ64DOT4, 1/4" TUBE TEE, BRASS
Pneumatic Tubing & Fittings	236	AQ68DOT4X2	1538244	ADAPTOR, AQ68DOT4X2, 1/8 MNPT X 1/4 TUBE
Pneumatic Tubing & Fittings	236	AQ68DOT4X4	1538245	ADAPTOR, AQ68DOT4X4, 1/4 MNPT X 1/4 TUBE
Pneumatic Tubing & Fittings	236	AQ69DOT4X2	1538246	ELBOW, AQ69DOT4X2, 1/8 MNPT X 1/4 TUBE
Pneumatic Tubing & Fittings	236	AQ69DOT4X4	1538247	ELBOW, AQ69DOT4X4, 1/4 MNPT X 1/4 TUBE
Pneumatic Tubing & Fittings	236	AQ72DOT4X2	1543589	TEE, AQ72DOT4X2, 1/8 MNPT X 1/4 TUBE, BRAN
Pneumatic Tubing & Fittings	236	AQ72DOT4X4	1543337	TEE, AQ72DOT4X4, 1/4 MNPT X 1/4 TUBE, BRAN
Cable & Latch Releases	237	MINI-1	1512451	VALVE, MINI-1, PNEUMATIC AIR
Cable & Latch Releases	237	P134	1505583	LINK, P134, FISHER, FUSIBLE, (212 DGS F)
Cable & Latch Releases	237	P164B	1505592	RELEASE, P164B, FISHER, CABLE, FOR N550,
Cable & Latch Releases	237	P327D	1504677	CYLINDER, P327D, FISHER, AIR, FOR N551
Cable & Latch Releases	237	P340	1539854	LATCH, P340, FISHER, REMOTE RELEASE FOR
Cable & Latch Releases	237	P341	1504681	LATCH, P341, FISHER, REMOTE RELEASE
Cable & Latch Releases	237	P650	1504752	ASSEMBLY, P650, FISHER, CABLE CONTROL,
Pneumatic Regulators	237	REB-4-3	1544243	REGULATOR, REB-4-3, WESTERN, LIGHT DUTY
Pneumatic Regulators	237	REB-7-3	1537657	REGULATOR, REB-7-3, WESTERN, HIGH
Back Check Valves	238	G100	1504467	VALVE, G100, FISHER, BACK PRESSURE, 3/4
Back Check Valves	238	G101	1504468	VALVE, G101, FISHER, BACK PRESSURE, 1 1/
Back Check Valves	238	G105	1504471	VALVE, G105, FISHER, BACK PRESSURE, 2 X
Back Check Valves	238	ME870-6	1547836	VALVE, ME870-6, MEC, 3/4 FNPT X 3/4 MPT, BACK
Fisher Swing Check Valves	238	G201-16	1504480	VALVE, G201-16, FISHER, BACK PRESSURE,
MEC Sight Flow Indicators	239	ME875S-16	1543666	VALVE, ME875S-16, MARSHALL EXCEL, SIGHT
MEC Y-Strainers	239	ME650S	1543463	STRAINER, ME650S, MEC, 1/2"
MEC Y-Strainers	239	ME651S	1545709	STRAINER, ME651S, MEC, 3/4", 40 MESH
MEC Y-Strainers	239	ME652S	1545714	Y-STRAINER, ME652S, MARSH EXCEL, WO PLUG
MEC Y-Strainers	239	ME653S	1542453	STRAINER, ME653S, MEC, 1-1/4" FNPT X 1-1/4
MEC Y-Strainers	239	ME655S	1546095	STRAINER, ME655S, MEC, 2" FNPT X 2" FNPT, Y,
OPW Engineering Visi-Flo Sight Flow Indicators	239	1532-0240	1537891	SIGHT FLOW, 1532-0240, VISI FLO, 3/4",
OPW Engineering Visi-Flo Sight Flow Indicators	239	1532-0250	1539880	SIGHT GLASS, 1532-0250, OPW ENGINEERED
SVC Series Swing Check Valves	239	SVC100	1540735	VALVE, SVC100, QUICK ACTION, 1"
SVC Series Swing Check Valves	239	SVC200	1546605	VALVE, SVC200, SWING CHECK, 2",
Excess Flow Valves	240	F100	1504373	VALVE, F100, FISHER, EXCESS FLOW, 3/4 MN
Excess Flow Valves	240	F101	1504374	VALVE, F101, FISHER, EXCESS FLOW, 3/4 MN
Excess Flow Valves	240	F102	1504375	VALVE, F102, EXCESS FLOW, 1 1/4 MNPT X 1
Excess Flow Valves	240	F105	1504376	VALVE, F105, EXCESS FLOW, 1 1/4 MNPT X 1
Excess Flow Valves	240	F170	1504447	VALVE, F170, FISHER, EXCESS FLOW, 3/4 MN
Excess Flow Valves	240	F173	1504448	VALVE, F173, FISHER, EXCESS FLOW, MPOL X
Excess Flow Valves	240	F202	1504464	VALVE, F202, FISHER, EXCESS FLOW, MPOL X
Excess Flow Valves	240	ME354EX18	1544281	FITTING, ME354EX18, MEC, POL X 3/8MFL
Excess Flow Valves	240	ME355EX18	1539463	VALVE, ME355EX18, MARSHALL EXCEL, EXC FL
Excess Flow Valves	240	ME356EX18	1541989	ADAPTOR, ME356EX18, MEC, EXCESS FLOW
Excess Flow Valves	240	ME880-6/14	1546397	VALVE, ME880-6/14, MEC, 3/4" FNPT X 3/4" MNPT
Excess Flow Valves	240	ME880-6/22	1542546	VALVE, ME880-6/22, MEC, 3/4", EXCESS, 22GPM
Excess Flow Valves	240	ME880-6/28	1542437	VALVE, ME880-6/28, MEC, 3/4 X 3/4, EXCESS
Excess Flow Valves	240	ME880-6/4.6	1546607	VALVE, ME880-6/4.6, MEC, 3/4" FNPT X 3/4" MN
Excess Flow Valves	240	ME880S-10/42	1540435	VALVE, ME880S-10/42, MARSH EXCEL,
Excess Flow Valves	241	F130	1504440	VALVE, F130, FISHER, EXCESS FLOW, 1 X 1
Excess Flow Valves	241	F133	1504443	VALVE, F133, FISHER, EXCESS FLOW, 2 X 2
Flanged Truck Relief Valves	242	MEV300FIR-09	1545140	CAP, MEV300FIR-09, MEC, 3", RUBBER
Flanged Truck Relief Valves	242	MEV300FIR-09	1545140	CAP, MEV300FIR-09, MEC, 3", RUBBER
Flanged Truck Relief Valves	242	P298	1504626	CAP, P298, FISHER, PROTECTIVE, FOR H731
Threaded Truck Relief Valves	242	H722-250	1528340	VALVE, H722-250, FISHER, 250 PSI, 2" MNPT
Threaded Truck Relief Valves	242	MEP200FIR	1545137	WRENCH, MEP200FIR, MEC, 2"
Threaded Truck Relief Valves	242	MEP300FIR	1545138	WRENCH, MEP300FIR, MEC, 3"
Threaded Truck Relief Valves	242	MEV200FIR-09	1545139	CAP, MEV200FIR-09, MEC, 2", RUBBER
Threaded Truck Relief Valves	242	MEV300FIR-09	1545140	CAP, MEV300FIR-09, MEC, 3", RUBBER
Threaded Truck Relief Valves	242	P297	1504625	CAP, P297, FISHER, PROTECTIVE, FOR H721
Threaded Truck Relief Valves	242	P298	1504626	CAP, P298, FISHER, PROTECTIVE, FOR H731
Storage Tank Relief Valves	243	MEP104-24	1543676	ADAPTER, MEP104-24, MEC, 3" PIPE AWAY



Catalog Section	Page #	RMI Part #	B2B Item #	Description
Hydrostatic Relief Valves	246	H110-250	1504482	VALVE, H110-250, FISHER, RELIEF, UL, 250
Hydrostatic Relief Valves	246	H124	1504487	VALVE, H124, FISHER, RELIEF, 450 PSI,
Hydrostatic Relief Valves	246	H144	1504490	VALVE, H144, FISHER, RELIEF, 450 PSI,
Hydrostatic Relief Valves	246	H174	1504515	VALVE, H174, FISHER, RELIEF, 450 PSI,
Hydrostatic Relief Valves	246	H185-250	1504516	VALVE, H185-250, FISHER, RELIEF, 250 PSI
Hydrostatic Relief Valves	246	MEH225	1540684	VALVE,MEH225,MARSHALL EXCEL, 1/4" MNPT
Hydrostatic Relief Valves	246	MEH225SS	1548598	VALVE,MEH225SS/400,MEC,STAINLESS STEEL,
Hydrostatic Relief Valves	246	MEH501-1.062	1546307	CAP, MEH501-1.062, MARSH EXCEL, VINYL,
Hydrostatic Relief Valves	246	MEJ602H	1548249	ELBOW,MEJ602H,MEC,1/4" W/ RELIEF & BLEED
Hydrostatic Relief Valves	246	P145	1505587	CAP, P145, PROTECTIVE, F/H185, H275, 180
Hydrostatic Relief Valves	246	P174	1505594	ADAPTOR, P174, FISHER, PIPEAWAY, 1/2 NPT
Hydrostatic Relief Valves	246	P206	1504620	CAP, P206, FISHER, PROTECTIVE, FOR 'H'
Breakaway Pipeaway Adaptor	247	MEP104-24	1543676	ADAPTER,MEP104-24,MEC,3" PIPE AWAY
Relief Valve Accessories	247	MEH501-1.062	1546307	CAP, MEH501-1.062, MARSH EXCEL, VINYL,
Weather Caps	247	AN11001	1543738	CAP,AN11001, 3/4", ANTHES WEATHER
Weather Caps	247	AN11002	1528267	CAP, AN11002, WEATHER
Weather Caps	247	AN11006	1536299	CAP, AN11006, ANTHES WEATHER
Weather Caps	247	AN11011	1512852	CAP, AN11011, RAIN
Weather Caps	247	AN11015	1547375	CAP,AN11015,4",ANTHES WEATHER,#14
Algas-SDI Direct Fired Vaporizers	248	3-0014	1534579	KIT, 3-0014, ALGAS, THERMO, PILOT ORIFIC
Zimmer Electric Vaporizer	251	80885	1534600	KIT, 80885, ZIMMER, MOUNTING, VAPORIZER
Zimmer Electric Vaporizer	251	80887	1535182	KIT, 80887, TANK MOUNTING
Ransome Direct Fired Vaporizers	252	XE0120	1522004	RELIGHTER, XE0120, ELECTRIC PILOT,
Direct Fired Parts List	253	HSRL-BFC	1528156	REGULATOR, HSRL-BFC,FISHER,COMMERCIAL
Direct Fired Parts List	253	JC-KIT	1521648	PILOT, JC-KIT, ASSYEMBLY
Direct Fired Parts List	253	KF-120F	1538575	THERMOSTAT, KF-120F, RANSOME
Direct Fired Parts List	253	R622-CFFXA	1526685	REGULATOR, R622-CFFXA, FISHER, 1/2 X 3/4
Direct Fired Parts List	253	R622H-HGJ	1526693	REGULATOR, R622H-HGJ, FISHER, POL X 1/2
Direct Fired Parts List	253	R622H-JGJ	1526694	REGULATOR, R622H-JGJ, FISHER,10 PSI,
Direct Fired Parts List	253	R632A-HCF	1541984	REGULATOR,R632A-HCF,FISHER,INTREGAL
Direct Fired Parts List	253	R632A-JFF	1541863	REGULATOR,R632A-JFF,FISHER,POL X 3/4 NPT
PRO2000V Propane Vaporizer Fuel Treatment	254	208L-2.5	1547731	ADDITIVE,208L-2.5,PRO 2000V,PROPANE
PG9 Replacement Pilot Uni-Kit	255	1820-009	1506353	ASSEMBLY, 1820-009, ROBERT SHAW, PILOT
PG9 Replacement Pilot Uni-Kit	255	1820-019	1506354	ASSEMBLY, 1820-019, ROBERT SHAW, PILOT
Universal 2B Pilot Uni-Kit	255	1810-100	1506352	ASSEMBLY, 1810-100,-ROBERT SHAW, PILOT-
1820, 1830 (2C, 2CH)	256	10-114	1512560	ORIFICE, 10-114, ROBERTSHAW, .010 LP GAS
1820, 1830 (2C, 2CH)	256	10-210	1516056	ORIFICE, 10-210, LP 1/4",ROBERTSHAW,.016
1820, 1830 (2C, 2CH)	256	10-211	1539249	ORIFICE,10-211,LP 1/4", ROBERTSHAW, .011
Incinerator Targot Pilot Uni-Kit	256	1830-110	1506356	ASSEMBLY, 1830-110, ROBERT SHAW, PILOT
Incinerator Targot Pilot Uni-Kit	256	1830-111	1533948	PILOT KIT, 1830-111, ROBERTSHAW, 25 DEGR
Aluminum Tubing - 50ft Coils	257	11-195	1537270	TUBING, 3/8" X 50, ROBERTSHAW,ALUM PILOT
Break-Away Ferrule Nuts	257	620-1/4	1544557	FERRULE, 620-1/4, BREAKAWAY
Break-Away Ferrule Nuts	257	R-2972	1542171	FERRULES, R-2972, BREAKAWAY, 1/4 X 1/4
Compression Fitting Kit	257	COMPFITKIT-1	1537577	KIT, COMPFITKIT-1, COMPRESSION FITTING
Compression Nut	257	4590-817	1539581	NUT, 4590-817, COMPRESSION, 1/4" EXTENDE
Pilot Tubing Kit	257	ALUM-1/4-5	1537578	KIT, ALUM-1/4-5, ALUMINUM TUBING,
Pilot Tubing Kit	257	ALUM-1/8-5	1537576	KIT, ALUM-1/8-5, ALUMINUM TUBING,
Pilot Tubing Kit	257	ALUM-3/16-5	1537575	KIT, ALUM-3/16-5, ALUMINUM TUBING,
1960 Series Low Mass Thermocouples	258	1960-027	1524235	THERMOCOUPLE,1960-27, ROBERT-SHAW, 24"
1970 Series Thermocouples	258	1970-018	1507926	THERMOCOUPLE, 1970-018, ROBERT SHAW, 18"
1971 Series Thermocouples	258	1970-024	1507927	THERMOCOUPLE, 1970-24, ROBERT SHAW, 24"
1974 Series Thermocouples	258	1970-048	1507929	THERMOCOUPLE, 1970-48, ROBERT SHAW, 48"
1975 Series Thermocouples	258	1970-060	1507930	THERMOCOUPLE, 1970-60, ROBERT SHAW, 60"
1980 Series Thermocouples	258	1980-018	1507931	THERMOCOUPLE, 1980-018, ROBERT SHAW, 18"
1981 Series Thermocouples	258	1980-024	1507932	THERMOCOUPLE, 1980-024, ROBERT-SHAW, 24"
1982 Series Thermocouples	258	1980-030	1506385	THERMOCOUPLE, 1980-030, ROBERT SHAW, 30
1983 Series Thermocouples	258	1980-036	1507933	THERMOCOUPLE,1980-036, ROBERT SHAW, 36"
1984 Series Thermocouples	258	1980-048	1507934	THERMOCOUPLE, 1980-48, ROBERT SHAW, 48"
1986 Series Thermocouples	258	1980-072	1538582	THERMOCOUPLE,1980-72, ROBERT SHAW, 72"
JC K15DA Standard Baso Thermocouple	258	K15DA-18H	1543692	THERMOCOUPLE, K15DA-18H, JOHNSON CONTROL
JC K16BT Husky High Output Thermocouple	258	K16BT-18	1507946	THERMOCOUPLE, K16BT-18, JOHNSON, 18"
JC K16BT Husky High Output Thermocouple	258	K16BT-24	1507947	THERMOCOUPLE, 24", HUSKY K16BT-24 JOHNSO
JC K16BT Husky High Output Thermocouple	258	K16BT-36	1507948	THERMOCOUPLE, K16BT-36, JOHNSON, 36"
Robertshaw Thermopile/Pilot Generator	258	1950-001	1506423	THERMOPILE, 1950-001, ROBERTSHAW, 32"
Robertshaw Thermopile/Pilot Generator	258	1950-002	1506375	THERMOPILE, 1950-002, ROBERTSHAW,
Robertshaw Thermopile/Pilot Generator	258	1950-532	1524701	THERMOPILE, 1950-532, ROBERT SHAW
Robertshaw Thermopile/Pilot Generator	258	1951-001	1506424	THERMOPILE, 1951-001, ROBERTSHAW, 36"
Robertshaw Thermopile/Pilot Generator	258	1951-536	1506425	THERMOPILE, 1951-536, ROBERTSHAW, 36"
Q313A Series Universal Thermopiles	259	Q313A1188	1546962	THERMOPILE,Q313A1188,HONEYWELL,750 mV
Robertshaw 24 Volt Dual Combination Valves	259	720-400	1506405	VALVE, 720-400, ROBERTSHAW,24Vw/UNI-KIT
Robertshaw 24 Volt Dual Combination Valves	259	720-402	1506311	VALVE, 720-402, ROBERT SHAW, 24V. GAS
Test Adapter	259	10-038	1515535	ADAPTOR, 10-038, THEMOCOUPLE TEST,
Robertshaw 700 Series Millivolt Gas Valves	260	700-503	1506315	VALVE, 700-503, ROBERT SHAW, MILLIVOLT,
Robertshaw 700 Series Millivolt Gas Valves	260	700-511	1506364	VALVE, 700-511, ROBERTSHAW, GAS HEATING,
Robertshaw Intermittent Pilot, Direct Spark, Or HSI Gas Valves	260	720-079	1506414	PILOT, 720-079, ROBERTSHAW, INTERMITTANT



Catalog Section	Page #	RMI Part #	B2B Item #	Description
Hot Surface Heating Ignitors	262	41-401	1506343	IGNITOR, 41-401, ROBERT SHAW, FURNACE
Hot Surface Heating Ignitors	262	41-402	1506397	IGNITOR, 41-402, ROBERTSHAW, FURNACE
Hot Surface Heating Ignitors	262	41-403	1532200	IGNITOR, 41-403, ROBERTSHAW, HSI IGNITOR
Hot Surface Heating Ignitors	262	41-404	1524255	IGNITOR, 41-404, ROBERT SHAW, HEATING
Hot Surface Heating Ignitors	262	41-405	1532212	IGNITOR, 41-405, ROBERTSHAW, HSI IGNITOR
Hot Surface Heating Ignitors	262	41-406	1506436	IGNITOR, 41-406, ROBERTSHAW,
Hot Surface Heating Ignitors	262	41-407	1532236	IGNITOR HOT SURFACE 41-407 ROBERTSHAW
Hot Surface Heating Ignitors	262	41-408	1506345	IGNITOR, 41-408, ROBERT SHAW, FURNACE
Hot Surface Heating Ignitors	262	41-409	1532226	IGNITOR, 41-409, ROBERTSHAW, HSI IGNITOR
Hot Surface Heating Ignitors	262	41-410	1537630	IGNITOR, 41-410, ROBERT SHAW, HEATING
Hot Surface Heating Ignitors	262	41-411	1533397	IGNITOR, 41-411, ROBERTSHAW, IGNITOR 41-
Hot Surface Heating Ignitors	262	41-412	1537631	IGNITOR, 41-412, ROBERTSHAW, IGNITOR
Hot Surface Heating Ignitors	262	41-414	1537092	IGNITOR, 41-414, ROBERTSHAW, HOT SURFACE
Empire Vent Free Room Heaters	264	BF-30W	1221812	HEATER, BF-30W, EMPIRE, LP, BLUE FLAME,
Empire Vent Free Room Heaters	264	SR-10TW	1221827	HEATER, SR10TW, EMPIRE, LP, INFRARED,
Empire Vent Free Room Heaters	264	SR-18TW	1221774	HEATER, SR-18TW, EMPIRE, LP, INFRARED, VF
Empire Vent Free Room Heaters	264	SR-18W	1221814	HEATER, SR18WLP, EMPIRE, LP, MANUAL 3 HEAT
Empire Vent Free Room Heaters	264	SR-30TW	1221815	HEATER, SR30TW, EMPIRE, LP, HYDRAULIC
Empire Vent Free Room Heaters	264	SR-30W	1221803	HEATER, SR30WLP, EMPIRE, 30KBTU, MANUA, WHT
Empire Vent Free Room Heaters	264	SRB-18TW	1548838	BLOWER, SRB18TW, EMPIRE, AUTOMATIC FOR
Empire Vent Free Room Heaters	264	SRB-30TW	1548839	BLOWER, SRB30TW, EMPIRE, AUTOMATIC FOR
Empire Vent Free Room Heaters	264	SRB-30W	1549106	BLOWER, SRB-30W, EMPIRE, FOR SR-30
Empire Vent Free Room Heaters	264	SRS-30W	1548841	STAND, SRS30W, EMPIRE, FLOOR INSTALLATIO
Empire Direct Vent Wall Furnace	265	DRB-1	1535672	BLOWER, DRB-1, EMPIRE, FOR DV-25/35
Empire Direct Vent Wall Furnace	265	DV210-SGX	1221644	FURNACE, DV-210-SGX, EMPIRE, WALL, LP, DI
Empire Direct Vent Wall Furnace	265	DV215-SGX	1221551	FURNACE, DV-215-SGX, EMPIRE, WALL, LP, DI
Empire Direct Vent Wall Furnace	265	DV25-SG	1204542	FURNACE, DV-25-SG, EMPIRE, WALL
Empire Direct Vent Wall Furnace	265	DV35-SG	1204543	FURNACE, DV-35-SG, EMPIRE, WALL
Empire Direct Vent Wall Furnace	265	DV822	1508957	KIT, DV-822, EMPIRE, VENT, VINYL SIDING
Empire Direct Vent Wall Furnace	265	DV-844	1525167	TUBE, DV-844, EMPIRE, INNER
Empire Direct Vent Wall Furnace	265	DV-845	1525166	TUBE, DV-845, EMPIRE, OUTER
Empire Direct Vent Wall Furnace	265	DVB-1	1508956	BLOWER, DVB-1, EMPIRE, PKG.
Empire Direct Vent Wall Furnace	265	NDV215-SGX	1221757	FURNACE, DV-215-SGX, EMPIRE, NAT GAS, NG
Empire Direct Vent Wall Furnace	265	NDV25-SG	1212547	FURNACE, NDV-25-SG, EMPIRE, NATURAL GAS
Empire Direct Vent Wall Furnace	265	NDV35-SG	1205894	FURNACE, DV-35-SG-NG, EMPIRE, N
Empire Direct Vent Wall Furnace	265	TH-345	1521306	TUBE, TH-345, EMPIRE, EXTRA LONG VENT,
Empire Direct Vent Wall Furnace	265	TH-346	1521307	TUBE, TH-346, EMPIRE, EXTRA LONG VENT,
Empire Direct Vent Wall Furnace	265	TMV	1527660	THERMOSTAT, TMV, EMPIRE, WALL
Empire Direct Vent Wall Furnace	265	TRW	1533095	THERMOSTAT, TRW, EMPIRE, WIRELESS REMOTE
Empire DVC Upright Direct Vent Wall Furnace	266	DV822	1508957	KIT, DV-822, EMPIRE, VENT, VINYL SIDING
Empire DVC Upright Direct Vent Wall Furnace	266	DVC35-SPPX	1221685	HEATER, DVC35SPPX, EMPIRE, DV, 35K, LP,
Empire DVC Upright Direct Vent Wall Furnace	266	DVC55-IPX	1221659	FURNACE, DVC-55-IPX, EMPIRE, LP, WALL, DIR
Empire DVC Upright Direct Vent Wall Furnace	266	DVC55-SPPX	1221610	HEATER, DVC55-SPPX, EMPIRE, LP, DIRECT VENT
Empire DVC Upright Direct Vent Wall Furnace	266	NDVC35-IPX	1206086	FURNACE, NDVC35-IP, EMPIRE, NAT GAS
Empire DVC Upright Direct Vent Wall Furnace	266	NDVC55-SPPX	1221794	HEATER, DVC55-SPPX, EMPIRE, NAT GAS, DV
Empire DVC Upright Direct Vent Wall Furnace	266	ROK-1	1509579	KIT, ROK-1, EMPIRE, 10" REAR OUTLET, FOR
Empire DVC Upright Direct Vent Wall Furnace	266	TRW	1533095	THERMOSTAT, TRW, EMPIRE, WIRELESS REMOTE
Empire Vented Counterflow Wall Furnace	267	FAW40-SPPX	1221656	HEATER, FAW40-SPPX, EMPIRE, COUNTERFLOW
Empire Vented Counterflow Wall Furnace	267	NFAW40-SPPX	1221566	FURNACE, NFAW-40-SPPX, EMPIRE, NAT GAS
Empire Vented Counterflow Wall Furnace	267	ROK-1	1509579	KIT, ROK-1, EMPIRE, 10" REAR OUTLET, FOR
Empire Vented Counterflow Wall Furnace	267	TRW	1533095	THERMOSTAT, TRW, EMPIRE, WIRELESS REMOTE
Empire B-Vent Gravity Wall Furnaces	268	GWT-35W	1221799	FURNACE, GWT-35W, EMPIRE, LP, GRAVITY WALL
Empire B-Vent Gravity Wall Furnaces	268	GWTB-2W	1548731	BLOWER, GWTB2W, EMPIRE, TOP MOUNT,
Empire B-Vent Gravity Wall Furnaces	268	TMV	1527660	THERMOSTAT, TMV, EMPIRE, WALL
Empire B-Vent Gravity Wall Furnaces	268	TRW	1533095	THERMOSTAT, TRW, EMPIRE, WIRELESS REMOTE
Empire B-Vent Console And Visual Flame Vented Room Heaters	269	DRB-1	1535672	BLOWER, DRB-1, EMPIRE, FOR DV-25/35
Empire B-Vent Console And Visual Flame Vented Room Heaters	269	FRB-3	1525369	BLOWER, FRB-3, EMPIRE,
Empire B-Vent Console And Visual Flame Vented Room Heaters	269	NRH-25	1205610	HEATER, RH-25-NG, EMPIRE, 25,000 BTU
Empire B-Vent Console And Visual Flame Vented Room Heaters	269	NRH-35	1206028	HEATER, RH-35, EMPIRE, NG, CONS
Empire B-Vent Console And Visual Flame Vented Room Heaters	269	NRH-50B	1206083	HEATER, NRH-50B, EMPIRE, NG, VISUAL FLAM
Empire B-Vent Console And Visual Flame Vented Room Heaters	269	NRH-50C	1215144	HEATER, NRH-50C, EMPIRE, NAT GAS, CLOSED F
Empire B-Vent Console And Visual Flame Vented Room Heaters	269	NRH-50CB	1215048	HEATER, NRH-50CB, EMPIRE, NAT GAS, CLOSE
Empire B-Vent Console And Visual Flame Vented Room Heaters	269	NRH-65B	1206030	HEATER, NRH-65B, EMPIRE, NG, VENTED
Empire B-Vent Console And Visual Flame Vented Room Heaters	269	RAD-8	1508969	RADIANTS, RAD-8, EMPIRE, FOR RH-50-1,
Empire B-Vent Console And Visual Flame Vented Room Heaters	269	RH-25	1204582	HEATER, RH-25, EMPIRE, LP, 25,0
Empire B-Vent Console And Visual Flame Vented Room Heaters	269	RH-35	1204550	HEATER, RH-35, EMPIRE, LP, CONS
Empire B-Vent Console And Visual Flame Vented Room Heaters	269	RH-425	1508968	PAD, RH-425, EMPIRE, FLOOR, 36" X 21"
Empire B-Vent Console And Visual Flame Vented Room Heaters	269	RH-50B	1204551	HEATER, RH-50B, EMPIRE, LP, 50,
Empire B-Vent Console And Visual Flame Vented Room Heaters	269	RH-50C	1213164	HEATER, RH-50C, EMPIRE, CLOSED FRONT
Empire B-Vent Console And Visual Flame Vented Room Heaters	269	RH-50CB	1213166	HEATER, RH-50CB, EMPIRE, CLOSED FRONT
Empire B-Vent Console And Visual Flame Vented Room Heaters	269	RH-65B	1204552	HEATER, RH-65B, EMPIRE, LP, 65,
Empire B-Vent Console And Visual Flame Vented Room Heaters	269	RH-65C	1213165	HEATER, RH-65C, EMPIRE, CLOSED FRONT
Empire B-Vent Console And Visual Flame Vented Room Heaters	269	RH-65CB	1213167	HEATER, RH-65CB, EMPIRE, CLOSED FRONT
Empire B-Vent Console And Visual Flame Vented Room Heaters	269	RHL-2	1538419	KIT, RHL-2, EMPIRE, LOG,

Catalog Section	Page #	RMI Part #	B2B Item #	Description
Rinnai Direct Vent Energysaver Wall Furnace	270	EX08DT	1221944	HEATER,EX08DT,RINNAI,BEIGE,LP,DIRECTVENT
Rinnai Direct Vent Energysaver Wall Furnace	270	EX11DT	1221956	HEATER,EX11DT,RINNAI,LP,DIRECTVENT,BEIGE
Rinnai Direct Vent Energysaver Wall Furnace	270	EX17DT	1221940	HEATER,EX17DT-LP,RINNAI,DV BEIGE
Rinnai Direct Vent Energysaver Wall Furnace	270	EX22DT	1221930	HEATER,EX22DT,RINNAI,BEIGE,DIRECT VENT
Rinnai Direct Vent Energysaver Wall Furnace	270	EX22DTW	1221966	HEATER, EX22DTW, RINNAI, LP, WHITE,
Rinnai Direct Vent Energysaver Wall Furnace	270	EX38DT	1221933	HEATER,EX38DT-LP,RINNAI,BEIGE,DIRCT VENT
Rinnai Direct Vent Energysaver Wall Furnace	270	EX38DTW	1221942	HEATER, EX38DTW, RINNAI, LP, WHITE, DV
Rinnai Direct Vent Energysaver Wall Furnace	270	RHFE-FOT102	1509237	KIT, FOT-102, RINNAI,EXTENSION,FOR ES3
Rinnai Direct Vent Energysaver Wall Furnace	270	RHFE-FOT103	1509238	KIT, FOT-103, RINNAI,FOR ES38,EXTENSION
Rinnai Direct Vent Energysaver Wall Furnace	270	RHFE-FOT114	1509239	KIT,FOT-114, RINNAI, FOR ES38, EXTENSIO
Rinnai Direct Vent Energysaver Wall Furnace	270	RHFE-FOT115	1509236	KIT,FOT-115,RINNAI, FOR ES38,EXTENSION
Rinnai Direct Vent Energysaver Wall Furnace	270	RHFE-FOT150-S	1509626	VENT, FOT-150S, RINNAI, ALL DV MODELS
Rinnai Direct Vent Energysaver Wall Furnace	270	RHFE-FOT151-A	1509627	KIT, FOT-151-A, RINNAI, FOR 431FA,556
Rinnai Direct Vent Energysaver Wall Furnace	270	RHFE-FOT152-B	1509628	KIT, FOT-152B, RINNAI,ALL DV MODELS
Rinnai Direct Vent Energysaver Wall Furnace	270	RHFE-FOT153-C	1509686	KIT, FOT-153C,RINNAI, ALL DV MODELS
Rinnai Direct Vent Energysaver Wall Furnace	270	RHFE-FOT154-D	1509687	KIT, RHFE-FOT-154D, RINNAI,ALL DV MODELS
Rinnai Direct Vent Energysaver Wall Furnace	270	RHFE-FOT155	1509688	VENT, FOT-155, RINNAI, EX11C, EXTENSION
Rinnai Direct Vent Energysaver Wall Furnace	270	RHFE-FOT156	1535372	RINNAI FOT-156, VENT EXTENTION
Rinnai Direct Vent Energysaver Wall Furnace	270	RHFE-FOT157	1535373	RINNAI FOT157, VENT EXT.
Rinnai Direct Vent Energysaver Wall Furnace	270	RHFE-FOT158	1509732	KIT, FOT-158, RINNAI, ELBOW, PIPE STOPPE
Rinnai Direct Vent Energysaver Wall Furnace	270	RHFE-FOT201	1541164	KIT, RHFE-FOT201, RINNAI, EXTENSION,
Rinnai Direct Vent Energysaver Wall Furnace	270	RHFE-FOT219	1539508	KIT, FOT-219, RINNAI, VENT EXTENSION
Rinnai Direct Vent Energysaver Wall Furnace	270	RHFE-FOT221	1539510	KIT, FOT-221,RINNAI, VENT EXT, 60 TO 80"
Rinnai Vent Free Fan Convectors	271	FC510	1221278	HEATER,FC510,RINNAI,LP,VF CONVECTOR
Rinnai Vent Free Fan Convectors	271	FC824	1221279	HEATER,FC824, RINNAI,LP,VF CONVECTOR
Hearthrite Vent-Free Room Heaters	272	HABF	1548843	STAND,HABF, EMPIRE, HEARTHRITE
Hearthrite Vent-Free Room Heaters	272	HBW10TL	1221824	HEATER,HBW10TL,EMPIRE,LP, HEARTHRITE,
Hearthrite Vent-Free Room Heaters	272	HBW20TL	1221816	HEATER,HBW20TL,EMPIRE,LP,HEARTHRITE,
Hearthrite Vent-Free Room Heaters	272	HBW30TL	1221817	HEATER,HBW30TL,EMPIRE,LP,HEARTHRITE,
Hearthrite Vent-Free Room Heaters	272	HBW30TN	1221900	HEATER,HBW30TN,EMPIRE,NAT GAS,HEARTHRITE
Hearthrite Vent-Free Room Heaters	272	HRW10ML	1221818	HEATER,HRW10ML,EMPIRE,LP,HEARTHRITE,
Hearthrite Vent-Free Room Heaters	272	HRW10TL	1221821	HEATER,HRW10TL,EMPIRE,LP,HEARTHRITE,
Hearthrite Vent-Free Room Heaters	272	HRW17ML	1221822	HEATER,HRW17ML,EMPIRE,LP, HEARTHRITE
Hearthrite Vent-Free Room Heaters	272	HRW17TL	1221829	HEATER, HRW17TL,EMPIRE,LP,HEARTHRITE,
Hearthrite Vent-Free Room Heaters	272	HRW25TL	1221819	HEATER,HRW25TL,EMPIRE,LP, HEARTHRITE,
Hearthrite Vent-Free Room Heaters	272	HRW30TN	1221854	HEATER,HRW30TN,EMPIRE,NAT GAS,HEARTHRITE
LB White Convection Portable Heaters	280	NORSEMAN 200 PLUS	1211712	HEATER, NORSEMAN 200 PLUS ,LB WHITE, LP
LB White Convection Portable Heaters	280	NORSEMAN 250	1207804	HEATER, NORSEMAN250, LB WHITE, CONVECTIO
LB White Convection Portable Heaters	280	WORKMAN 100N PLUS	1211706	HEATER, WORKMAN 100N PLUS,LB WHITE, N/G
LB White Convection Portable Heaters	280	WORKMAN 225 PLUS	1211707	HEATER, WORKMAN 225 PLUS, LB WHITE, LP
LB White Trandsman and Boss Direct Forced Air Heater	282	TRADESMAN 170	1221423	HEATER,TRADESMAN 170LP, LB WHITE, LP
LB White Trandsman and Boss Direct Forced Air Heater	282	TRADESMAN 170 ULTRA	1221061	HEATER,TRADESMAN 170 ULTRA,LB WHITE LP
LB White Trandsman and Boss Direct Forced Air Heater	282	TRADESMAN 170N	1221422	HEATER,TRADESMAN 170N,LB WHITE NAT GAS
LB White Trandsman and Boss Direct Forced Air Heater	282	TRADESMAN 170N ULTRA	1221421	HEATER,TRADESMAN 170N,ULTRA,LB WHITE,NG
LB White Trandsman and Boss Direct Forced Air Heater	282	TRADESMAN 400 ULTRA	1208966	HEATER, TRADESMAN 400+ "ULTRA", LB WHITE
LB White Classic Forced Air Livestock Heaters	284	CLASSIC 60	1219326	HEATER, CLASSIC 60, L B WHITE, FORCED AIR
LB White Guardian 2.0 Forced Air Livestock Heaters	284	GUARDIAN 100	1207790	HEATER, GUARDIAN 100HS, LBWHITE,50-10000
LB White Guardian 2.0 Forced Air Livestock Heaters	284	GUARDIAN 250	1207791	HEATER, GUARDIAN 250, LB WHITE, OUTDOOR
LB White Guardian 2.0 Forced Air Livestock Heaters	284	GUARDIAN 250 SI	1221178	HEATER, GUARDIAN 250 SI, LB WHITE, LP
Accessories for Classic and Guardian Heaters	285	00831	1542679	THERMOSTAT_00831, LB WHITE, 20" CORD
Accessories for Classic and Guardian Heaters	285	09454	1542680	THERMOSTAT_09454, LB WHITE, DUST/RAIN CASE
LB White Premier Portable Tent Heaters	285	PREMIER 170	1219759	HEATER, PREMIER 170-LP, LB WHITE,
LB White Premier Portable Tent Heaters	285	PREMIER 80	1208958	HEATER, PREMIER 80, LB WHITE, TENT, LP
Red Dragon Construction Heaters	288	101-CH221	1549542	HEATER BURNER, 101-CH221, RED DRGN
Red Dragon Construction Heaters	288	332XXX	1549604	SPARKPLUG, 332, FLAME ENG, ONLY RED DRGN
Red Dragon Construction Heaters	288	CH221QC	1549543	BURNER, CONTROL ASSY, CH221QC, FLAME ENG
Modine Heater Accessories	292	FSCMKI03	1549107	VENT PIPE,FSCMK3,SD,4IN INNER DIA, KIT
Rinnai RE Series Non-Condensing Tankless Water Heaters	303	RE180EP	1221924	HEATER,RE180eP,RINNAI,LP,TANKLESS,CONC
Rinnai RE Series Non-Condensing Tankless Water Heaters	303	RE180IP	1221926	HEATER,RE180iP,RINNAI,LP,TANKLESS,CONC
Rinnai Water Heater Venting	306	184118-S	1540235	TERMINAL, 184118S,RINNAI CONTINUUM, ROOF
Rinnai Water Heater Venting	306	224077PP	1540149	ELBOW,224077PP, RINNAI, CONDENSING 45 DE
Rinnai Water Heater Venting	306	224078PP	1540148	ELBOW,224078PP,RINNAI,CONDENSING 90 DEG
Rinnai Water Heater Venting	306	224079PP	1540611	VENT,224079PP,RINNAI,CONDENSING,19.5"
Rinnai Water Heater Venting	306	224080PP	1540145	KIT,224080PP, RINNAI, EXTENSION, 39" VEN
Rinnai Water Heater Venting	306	224087PP	1540147	PIPE, 224087PP, RINNAI, EXTENSION,



## **B2B Cross Reference Guide**

### **All Products**

### **Alphabetical by Model #**

**A**

**to**

**Z**





ALL Products - Alphabetical by Model #



RMI Item #	B2B Item #	Description
217	1514508	VALVE, 217, 1/4" NPT X 1/4" FNPT NEEDLE
00831	1542679	THERMOSTAT,00831,LB WHITE,20' CORD
928	1544363	CHAIN AND PLUG,928X,WESTERN,9/16# 18LH
1124	1538181	SCALE, 1124,FAIRBANKS,1000#,STANDARD
1328	1540120	ADAPTOR, 1328, MARSH EXCEL, 3/8" OD
1331	1540121	ADAPTOR, 1331, MARSH EXCEL, 1/2" OD
1332	1540122	ADAPTOR, 1332, MARSH EXCEL, 5/8" OD
2068	1527522	JACK, 2068, SAF-T-JAC, DEMPSTER
2217	1549277	FLASHLIGHT,2217,LED,CLASS 1,DIV 1
3325	1541162	LENS,3325,REPLACEMENT,FOR FC 200
7326	1548477	FERRULE, 7326, BRASS,0.593"ID
7327	1517155	FERRULE, 7327, BRASS, 625
7328	1545496	FERRULE,7328,.656
7329	1543778	FERRULE,7329, BRASS
7331	1544927	FERRULE,7331,BRASS,.750 ID,
7332	1544928	FERRULE,7332,BRASS,.781 ID,
7333	1548479	FERRULE,7333,BRASS,.812 ID,
09454	1542680	THERMOSTAT,09454,LB WHITE,DUST/RAIN CASE
9902.1612	1549504	BEARING, 9902.1612, HANNAY,1 1/2 BEARING
9910.0917	1542792	SPROCKET, 9910.0917, HANNAY,1 5/16"
9910.0919	1542796	SPROCKET, 9910.0919, HANNAY,1 3/4"
9914.0393	1542974	GEAR, 9914.0393, HANNAY, PINION, H-27
9914.0433	1548771	PAD,9914.0433,HANNAY,BRAKE,
9917.0062	1537918	NUT, 9917.0062, HANNAY, NUMBER 6
9917.0207	1504838	BRACKET, 9917.0207, HANNAY
9919.0005	1545695	VALVE,9919.0005,HANNAY,SCHRADER,
9939.0062	1543011	ASSEMBLY,9939.0062,HANNAY,HOSE REEL
9945.1003	1520318	PINLOCK, 9945.1003, HANNAY, ASSEMBLY
9945.1005	1542114	BOLT,9945.1005,HANNAY,ROLLER
9947.0090	1540874	ASSEMBLY, 9947.0090, HANNAY, COMET BRAKE
11175	1538574	SEALER, 11175, LA-CO, PIPETITE STICK
11787	1540327	FAN BLADE, 11787, EMPIRE
12277	1537353	VALVE, 12277, EMPIRE, LP CONTROL
13291	1544050	KIT,13291, EMPIRE,LP to NAT
16906	1538216	CRYSTALS, 16906, J&N ENTERPRISES, TESTER
19564	1547714	BOARD, 19564, EMPIRE, R2576 CONTROL, ICM
020064	1512827	TUBING, 020064, 1/4", 100 FT ROLL, BLACK
20356	1514127	VALVE, 20356, L B WHITE, GAS CONTROL
22626	1538984	BLOCK, 22626, DANDI, FOR 200# AND 420#
23463	1546371	REGULATOR, 23463, LB WHITE, 10PSI,W/SOFT
23702	1542646	KIT,23702,EMPIRE, CONVERSION
25669	1539917	SWITCH, 25669, EMPIRE, FAN
26347	1540245	DUCT,26347, LB WHITE ,DISTRIBUTION,
26441	1544182	KIT, 26441,EMPIRE,RETRO FIT
26617	1539576	DUCT, 26617, LB WHITE, ADAPTER
28665	1541946	VALVE,28665,EMPIRE,RETROFIT
34800	1541121	REGULATOR, 34800, ALGAS,
37503	1543225	KIT, 37503, SAM DICK, RELIGHT
40287	1546285	SOLENOID,40287,SAM DICK,REPAIR KIT
40542	1544254	ASSEMBLY,40542,LP BURNER REGULATOR SUPPL
41082	1547270	THERMOSTAT,41082,ALGAS,
41150	1534616	FITTING, 41150, PERFECTION, COPPERSERT
41153	1538875	FITTING, 41153, PERFECTION, 1 " CTS
42013	1544070	TUBE,42013,ALGAS,CAPACITY CONTROL
8-17	1549597	FITTING, 8-17, HOSE BARB, 1/4"
8-20	1545460	FITTING, 8-20,HOSE BARB,3/8"
12-1	1534415	WIRE, 12-1, SINGLE STRAND TRACER,
50172	1534296	COUPLING, 50172, PERFECTION, REPAIR, 1"
51050	1523915	TOOL, 51050, ASSEMBLY, 2", PERFECTION
51055	1544154	TOOL,51055, PERMASERT,1 1/4 ASSIST
55131	1541107	COUPLER,55131,PERFECTION,3",
55190	1506825	CUTTER, 55190, PE 1/2" CTS 1" CTS
58500	1547772	TOOL, 58500, PERFECTION,CHAMFERING, 1/2"

Don't see what you're looking for? Give us a call and we can help!

Ray Murray, Inc. - 800-628-5044 - www.raymurray.com

RMI Item #	B2B Item #	Description
58501	1548197	TOOL,58501,PERFECTION,CHAMFERING,1/2"IPS
58503	1547773	TOOL,58503,PERFECTION,CHAMFERING,3/4IPS
58504	1548198	TOOL,58504,PERFECTION,CHAMFERING,1"CTS
58505	1547970	TOOL, 58505,PERFECTION,CHAMFERING,1 IPS
58507	1548199	TOOL, 58507,PERFECTION,CHAMFER,1 1/4"IPS
58509	1548200	TOOL,58509,PERFECTION,CHAMFER,2"IPS
71160	1547297	RISER,71160,PERFECTION,36"FLEX,1"CTS,
71271	1542138	RISER,71271,PERFECTION,SERVI-SERT
71353	1542708	RISER, 71353, PERFECTION,
71354	1506844	RISER,71354,1/2CTSx1/2MPT,36 IN,PERFECTI
71355	1506845	RISER, 71355, PERFECTION, 3/4 X 1/2CTS
71356	1506846	RISER, 71356, PERFECTION, 3/4 X 1/2 CTS
71410	1507076	RISER, 71410, PERFECTION,3/4"
71411	1527584	RISER, 71411, PERFECTION, 3/4", 60"
71412	1526894	RISER, 71412,PERFECTION,3/4 X 3/4IPS,84"
71463	1538257	RISER, 71463, PERFECTION, STUB FLEX
71600	1507091	RISER, 71600,PERFECTION,PERMASERT
71721	1506992	RISER,71721,3/4 X 3/4,SERVI-SERT
71731	1507013	RISER, 71731, PERFECTION, 1" X 1" 1PS
71900	1537511	FLANGE, 71900, KAMCO,TERMINATION,COPPER
74506	1549434	BRACKET,74506,PERFECTION,4" OFFSET
80885	1534600	KIT, 80885, ZIMMER, MOUNTING, VAPORIZER
80887	1535182	KIT, 80887, TANK MOUNTING
81230	1537724	BLOCK, 81230, PLASTIC, BEVELED, ASME
83280	1504728	COVER, 9917.0008, 83280, HANNAY, RUBBER,
90018	1504729	SWITCH, 9917.0006, 90018, HANNAY, LESS
100529	1547262	CONNECTOR,100529,3/8,OUTDOOR,12FT,GREY
103029	1528418	FITTING, K103029, STURGIS, QUICK DISCON
103031	1542499	KIT, K103031,FUEL GAS OUTLE w/HOSE
104001	1527132	DISCONNECT, STU.104001, STURGIS, 3/8
104007	1539454	CONNECTOR, 104007, STURGIS, GAS,
169044	1523065	CLAMP, 169044, RINNAI CONTINUUM, PIPE,
184119	1533140	PIPE, 184119, RINNAI CONTINUUM, ROOF DIS
185101	1517951	LINER, 185101, BLACKMER
222053	1540226	TRAP, 222053, RINNAI, CONDENSATION KIT
223181	1540703	KIT,223181,HORIZONTAL TERMINATION, 11.
223182	1540422	KIT, 223182, RINNAI, ALL WEATHER
223184	1540705	TERMINATION,223184,WALL DISCHARGE 21
223187	1540706	KIT, 223187,WALL DISCHARGE DIVERTER
224042	1540911	BUG GUARD,224042,RINNAI, UNIVERSAL
224046	1537837	SNORKEL KIT,224046, RINNAI, IADJ VENT TERM
224050	1523067	PIPE, 224050, RINNAI CONTINUUM, 2 - 45D
224051	1523068	EXTENSION, 224051, RINNAI CONTINUUM, 10"
224052	1523069	EXTENSION, 224052,RINNAI CONTINUUM,19.5"
224053	1523070	EXTENSION, 224053, RINNAI CONTINUUM, 39"
224054	1537833	VENT, 224054,RINNAI,TELESCOPING,2.2"-12"
224063	1523071	ELBOW, 224063, RINNAI CONTINUUM, 90D,
224069	1523073	DRAIN, 224069, RINNAI CONTINUUM, CONDENS
229032	1549303	KIT, 229032,RINNAI,TERMINATION, 21"
265147	1517950	ASSEMBLY, 265147, BLACKMER, ROTOR & SHAFT
401207	1527133	PLUG, 401207, STURGIS, 3/8 QUICK DISCONN
451417	1527758	VALVE, 451417, BLACKMER
452901	1538530	VALVE, 452901, BLACKMER, RELIEF
471428	1520646	SPRING, 471428, BLACKMERE, R-V
503933	1545182	SWITCH,503933,LB WHITE,RESET, HIGH LIMIT
571400	1545181	SWITCH,571400, LB WHITE, HIGH LIMIT
571411	1545183	SWITCH,571411, LBWHITE,SELECTOR, LED ROC
672010	1510914	GENERATOR, 672010, EMPIRE
710342	1537835	WALL PLATE, 710342, RINNAI, WHITE RUBBER
898917	1545006	KIT,898917,BLACKMER,PUMP MAINTENANCE
898976	1501849	KIT, 898976, BLACKMER, PUMP REPAIR,
898981	1541767	KIT, 898981, BLACKMER, FOR LGLD3E
898994	1538088	KIT, 898994, BLACKMERE, REPAIR,

RMI Item #	B2B Item #	Description
899081	1543842	KIT,899081,BLACKMER,REBUILD
899125	1542335	KIT, 899125, BLACKMER, REBUILD,
899225	1541769	KIT, 899225, BLACKMERE, PUMP REPAIR
903090	1545842	TOOL,903090,LOCK COLLAR ADJ,1" - 1.5"
1000624	1518660	DIAPHRAM, 1000624, NEPTUNE, 1 1/4"TO
10001828	1520355	THERMOCOUPLE,10001828,PSE,W/INTERUPTER,
204000012	1546543	KIT, 204000012, RINNAI, FLAME ROD&GASKET
204000013	1546618	KIT,204000013,RINNAI,SPARKER,SENSOR
204000018	1547818	KIT,204000018,RINNAI,BURNER FITTING PLAT
204000041	1544488	KIT, 204000041, RINNAI, ELECTRODE GASKET
204000045	1547687	KIT, 204000045, RINNAI, WALL THERMOSTAT
804000068	1548129	SERVICE KIT,804000068,RINNAI,4K HOUR
805000026	1545237	FUSE,805000026,RINNAI,5 AMP
001XXX	1504732	MOTOR, 9915.0003, HANNAY,EXPLOSION PROOF
002XXX	1504826	MOTOR, 9915.0013, HANNAY,EXPLOSION PROOF
003XXX	1504733	MOTOR,9915.0014,HANNAY,003,
020064-500	1543338	TUBING,020064-500,1/4",BLACK POLYETHYLEN
04972G118	1544940	INDEX,2LB,AC 250 METER
100025-002	1519981	U-CUP, 100025-002, NEPTUNE,
100028-001	1521944	VALVE, 100028-001, NEPTUNE, 3/4",
100-08	1505282	COUPLING, 1/2" SCH 80
100-12	1512056	COUPLING,3/4", SCH 80, FORGED STEEL
100138-003	1538473	ORING, 100138-003, NEPTUNE,
100139-001	1543577	O-RING, 100139-001, NEPTUNE
100139-006	1539283	O-RING, 100139-006, SLEEVE SEAL
100139-007	1522457	O-RING, 100139-007, NEPTUNE,
100139-012	1501842	O-RING, 100139-012, NEPTUNE, 236, 3/4"
100139-022	1501907	O-RING, 100139-022, NEPTUNE, GASKET
100-16	1521710	COUPLING, 1", BLACK STEEL, SCH 80
10-038	1515535	ADAPTOR, 10-038, THEMOCOUPLE TEST,
100462-144	1542051	HOSE END, 100462-144, OVERBRAID, SS,
100498-009	1501846	REGISTER, 100498-009, NEPTUNE,COMPLETE,
100498-016	1516971	REGISTER, 100498-016, NEPTUNE, 1" METER
100553-201	1518564	MASKS, 100553-201, NEPTUNE
100-703	1539488	VALVE,100-703,JOMAR,1/2", BALL
100-704	1542687	VALVE, 100-704, JOMAR, 3/4 X 3/4 SHUTOFF
100-705	1512539	VALVE, 100-705, JOMAR, T-100 1"
100-706	1542959	VALVE, 100-706, JOMAR,1 1/4", BALL
100-708	1512804	VALVE, 100-708, JOMAR,2",SUPER BALL
100-963	1542334	VALVE,100-963,JOMAR,1/2",JOMAR SS,
100-964	1542333	VALVE,100-964,JOMAR,3/4",JOMAR SS,
100-994	1540246	VALVE, 100-994, JOMAR,
100-995	1540250	VALVE, 100-995, JOMAR,
100-996	1525396	VALVE, 100-996, JOMAR,1 1/4",BALL
100-997	1538198	VALVE, 100-997, JOMAR, 1 1/2", DOUBLE
100-998	1542593	BALL VALVE, 100-998, JOMAR, 2", CS, FP,
10-114	1512560	ORIFICE, 10-114, ROBERTSHAW, .010 LP GAS
101-403DU	1544062	VALVE,101-403DU,JOMAR,DIELECTRIC UNION
101-404DU	1542380	VALVE, 101-404DU, JOMAR, T-HANDLE,
101405-004	1501890	STRAINER, 101405-004, NEPTUNE,
101-703DU	1543385	VALVE,101-703DU,JOMAR,1/2" MIP X 1/2"FLA
101748-001	1543575	CHAMBER,101748-001NEPTUNE,1"
101-CH221	1549542	HEATER BURNER, 101-CH221, RED DRGN
102-0402	1507237	BARB, 1/4 H.B. X 1/8 NPT, CONNECTOR,
102-0608	1548231	HOSE END,102-0608,3/8"HOSE ID,1/2MNPT
10-210	1516056	ORIFICE, 10-210, LP 1/4",ROBERTSHAW,.016
10-211	1539249	ORIFICE,10-211,LP 1/4", ROBERTSHAW, .011
10-2132-48	1512292	CONNECTOR, 10-2132-48, DORMONT, 48"
102-E	1547187	TUBE BENDER, 102-E, IMPERIAL EASTMAN,3/8
102-F	1547188	TUBE BENDER, 102-F, IMPERIAL EASTMAN,1/2
102-I	1547189	TUBE BENDER, 102-I, IMPERIAL EASTMAN,5/8
103-12	1518338	ELBOW, 3/4", SCH 80, 45 DEGREE
10-3131-12	1533640	CONNECTOR, 10-3131-12 DORMONT, FLEX GAS

RMI Item #	B2B Item #	Description
10-3131-18	1533641	CONNECTOR, 10-3131-18,DORMONT, FLEX GAS
10-3131-24	1533642	CONNECTOR, 10-3131-24,DORMONT, FLEX GAS
10-3131-30	1533643	CONNECTOR, 10-3131-30,DORMONT, FLEX GAS
10-3131-36	1533644	CONNECTOR, 10-3131-36,DORMONT, FLEX GAS
10-3131-48	1533645	CONNECTOR, 10-3131-48,DORMONT, FLEX GAS
10-3131-60	1533646	CONNECTOR, 10-3131-60,DORMONT, FLEX GAS
10-3131-72	1533647	CONNECTOR, 10-3131-72,DORMONT, FLEX GAS
10-3132-18	1508921	CONNECTOR, 10-3132-18, DORMONT, WITH
10-3132-24	1508846	CONNECTOR,10-3132-24, DORMONT
10-3135-18	1533648	CONNECTOR, 10-3135-18,DORMONT, FLEX GAS
103-16	1541890	ELBOW,1", SCH 80, 45 DEG,FORGED STEEL
103-20	1538713	ELBOW,1 1/4", BLK STEEL, SCH 80, 45 DEG
103276-144	1543386	HOSE,103221-144,STURGIS,NG COUPLER
104-04	1537920	ELBOW, 1/4", BLACK STEEL, SCH 80
104-0608	1548232	HOSE END,104-0608,3/8HOSE ID,1/2FNPT
104-08	1503222	ELBOW, 1/2", SCH 80, 90 DEGREE
104-12	1521703	ELBOW,3/4, SCH 80,90 DEG,FORGED STEEL
104-16	1521707	ELBOW, 1", SCH 80, BLACK STEEL, 90 DEGR
104-20	1523457	ELBOW, 1 1/4", 90 DEGREE,SCH 80
104-24	1523518	ELBOW, 1 1/2, SCH 80, 90 DEG
105/300	1512853	GAUGE, 105/300, 0-300# PRESSURE
105-12	1502974	PLUG, 3/4", SCH 80,HEX HEAD, BLACK PIPE,
105-16	1507092	PLUG, 1", SCH 80, HEX HEAD, FORGED STEEL
105-20	1502976	PLUG,1 1/4", SCH 80, BLACK PIPE
105-32	1503235	PLUG, 2", SCH80, FORGED STEEL
106-0802	1546343	BUSHING, 1/2" X 1/8, SCH 80,BLK STEEL
106-1208	1537969	BUSHING,3/4 x 1/2, SCH 80, 603145,
106-1604	1537760	BUSHING, 1 X 1/4, BLACK STEEL, SCH 80
106-1608	1502991	BUSHING, 1 x 1/2, HEX, SCH 80, BLACK STE
106-1612	1507203	BUSHING, 603170, 1"x3/4" SCH80
106-2012	1512063	BUSHING,1 1/4" X 3/4" HEX , SCH 80
106-2016	1523396	BUSHING, 1 1/4" X 1", SCH 80, HEX, STEEL
106-2420	1537966	BUSHING, 1 1/2 X 1 1/4, SCH 80, BLK STEE
107-1204	1547532	COUPLING, 107-1204, SCH 80, REDUCING,
107-1208	1502983	COUPLING,3/4 X 1/2,SCH 80,BLACK PIPE
107-12-12	1515609	ADAPTOR, 107-12-12, MALE, 3/4", PIPE TO
107-1612	1502973	COUPLING, 1 X 3/4, SCH 80, REDUCING,
107-16-16	1515623	ADAPTOR, 107-16-16, MALE, 1", PIPE TO
107-2012	1520048	COUPLING, 1-1/4X3/4, BLACK, SCH 80,
107-2016	1540615	REDUCER, 1 1/4 X 1", SCH 80,COUPLING
107-2416	1540244	COUPLING, 1 1/2 X 1", SCH 80, REDUCING
107-32-32	1515612	ADAPTOR, 107-32-32, MALE, 2", PIPE TO
107-8-8	1515608	ADAPTOR, 107-8-8, MALE, 1/2", PIPE TO
108-08	1528256	TEE, 1/2" SCH 80, FORGED STEEL
108-12	1523401	TEE, 3/4", SCH 80, BLACK STEEL
108-16	1518737	FITTING, TEE,1",SCH 80,BLACK PIPE
108-20	1513054	TEE, 1 1/4", BLACK STEEL, SCH80,
108-32	1522762	TEE, 2", SCH 80, FORGED STEEL,
109-08	1503238	UNION, 1/2', BLACK, SCH 80, FS
109-12	1503239	UNION, 3/4", SCH 80, BLACK PIPE
109-16	1505207	UNION, 1", SCH 80, FORGED STEEL
109-20	1537967	UNION, 1-1/4", SCH 80,STEEL
109-24	1503240	UNION, 1 1/2", SCH 80, BLACK PIPE
109-32	1522763	UNION, SCH 80, 2", BLACK STEEL
10A-2121-18	1548131	Connector,10A-2121-18,Dormont, 3/8"x18"
10A-2121-24	1546978	CONNECTOR,10A-2121-24,DORMONT,3/8ODx 24
10A-2131-12	1537731	CONNECTOR, 10A-2131-12, DORMONT, GAS
10A-2131-18	1537732	CONNECTOR, 10A-2131-18, DORMONT, GAS
10A-2131-24	1541990	CONNECTOR,10A-2131-24,DORMONT,GAS
10R13CG	1538649	RATCHET SET, 10R13CG, 13' HEAVY DUTY
10R20CG	1508919	STRAP, 10R20CG, RMI, TANK/CARGO, 20'
110-04	1538904	ELBOW, 1/4', BLACK STEEL, SCH 80, STREET
110-12	1516031	ELBOW,90 DEG, 3/4 STREET, SCH 80

RMI Item #	B2B Item #	Description
110-20	1543737	ELBOW,1 1/4",90 DEG,SCH 80,STREET
110-32	1522761	ELBOW, 90 DEGREE, 2" SCH 80, FORGED ST
11-195	1537270	TUBING, 3/8" X 50, ROBERTSHAW,ALUM PILOT
1124-100	1540464	COUNTERWEIGHT, 1124-100, 100 LB
1124-L	1539864	SCALE, 1124-L, FAIRBANKS, TALL PILLAR
1124-S	1541348	SCALE,1124-S,FAIRBANKS,1000#,SHORT PILLA
114-16	1521713	CAP, 1", SCH 80, FORGED STEEL
114-32	1503311	CAP, 2" SCH 80, FORGED STEEL
11T35A	1504660	SPROCKET, 9910.1116, HANNAY, MOTOR,
11T35B	1504661	SPROCKET, 9910-1118, HANNAY, MOTOR,
11T35C	1545356	SPROCKET,9910.1119,HANNAY,1 3/4 LONG
11T35D	1537686	SPROCKET, 11T35D, HANNAY, 1 1/16"
121-00	1507801	NIPPLE, 1/4 X CLOSE, SCH 80,
121-015	1502872	NIPPLE,1/4" X 1 1/2",SCH 80, STEEL PIPE
121-02	1540960	NIPPLE,1/4 X 2, BLACK STEEL, SCH 80
12-1-CCS	1541166	WIRE, 12-1CCS, COPPERHEAD TRACER
123-00	1502866	NIPPLE, 1/2", SCH 80, CLOSE, STEEL
123-02	1503152	NIPPLE 1/2 X 2", SCH 80, FORGED STEEL
123-03	1523023	NIPPLE, SCH 80, 1/2" x 3", BLACK STEEL
123-04	1521506	NIPPLE,1/2 x 4",SCH 80, FORGED STEEL
123-06	1539462	NIPPLE,1/2 x 6", SCH 80, FORGED STEEL
124-00	1502867	NIPPLE, CLOSE, 3/4", SCH 80
124-015	1502874	NIPPLE, 3/4" MPT X 1 1/2" MPT, SCH 80,
124-02	1502878	NIPPLE, 3/4" X 2", SCH 80, BLACK STEEL
124-025	1522766	NIPPLE, 3/4 x 2 1/2",SCH 80, BLACK STEE
124-03	1521777	NIPPLE,3/4" X 3", SCH 80, FORGED STEEL
124-04	1503298	NIPPLE, 3/4" X 4", SCH 80, FORGED STEEL
124-05	1533157	NIPPLE, 3/4 X 5", SCH 80, FORGED STEEL
124-06	1503299	NIPPLE, 3/4" X 6", SCH 80,FORGED STEEL
124-10	1533151	NIPPLE, 3/4 X 10", SCH 80,
124-12	1523531	NIPPLE, 3/4" X 12, SCH 80, FORGED STEEL
125-00	1521718	NIPPLE, 1", SCH 80, CLOSE, STEEL
125-02	1502879	NIPPLE, 1" X 2", SCH 80,BLACK STEEL
125-03	1503340	NIPPLE, 1" X 3", SCH 80, BLACK STEEL
125-04	1528345	NIPPLE, 1 x 4, SCH 80, BLK STEEL
125-06	1522764	NIPPLE, 1" X 6", SCH 80, BLACK STEEL
125-08	1503135	NIPPLE,1 X 8, BLACK STEEL, SCH 80
125-12	1522765	NIPPLE, 1" X 12", SCH 80, BLACK STEEL
126-00	1507650	NIPPLE, 1 1/4" X CLOSE, STEEL,SCH 80
126-02	1502880	NIPPLE, 1 1/4" MPT X 2" MPT, SCH 80,
126-03	1537972	NIPPLE, 1-1/4" X 3", STEEL, SCH 80,
126-04	1520585	NIPPLE, 1 1/4 x 4", BLACK STEEL, SCH 80
126-05	1503208	NIPPLE, 1 1/4" X 5", BLACK STEEL, SCH 80
126-06	1537973	NIPPLE, 1-1/4" X 6", SCH 80, STEEL
126-08	1543736	NIPPLE, 1 1/4 X 8,BLACK PIPE, SCH 80
126-10	1503205	NIPPLE, 1 1/4" X 2",SCH 80, BLK STEEL
126-12	1523398	NIPPLE, 1 1/4" X 12",BLACK STEEL, SCH 80
127-03	1507799	NIPPLE, 1 1/2 X 3, SCH 80, STEEL
127-05	1503131	NIPPLE, 1 X 5", SCH 80, BLACK STEEL
127-FB	1536927	CUTTER, 127-FB, IMPERIAL EASTMAN,TUBE
128-00	1503319	NIPPLE, 2" X CLOSE, SCH 80, FORGED STEEL
128-04	1522767	NIPPLE, SCH 80 2" X 4", FORGED STEEL,
128-06	1503288	NIPPLE, 2" X 6", BLACK STEEL, SCH 80
12A04	1540637	VENT, 12A04, LIMITER, FOR MAXITROL
12A09	1524326	VENT, 12A09, LIMITER, FOR MAXITROL
12A39	1512217	LIMITER, 12A39, MAXITROL, SAFETY VENT
12A49	1540664	LIMITER, 12A49, MAXITROL, SAFETY VENT
132-12400	1518391	STUD, 132-12400, 3/4 X 4
132-12450	1528266	STUD, 132-12450, 3/4" X 4 1/2" W/ NUTS
13A15	1545949	PROTECTOR, 13A15, VENT,1/8"
13A15-5	1541431	COVER, 13A15-5, VENT
14-1	1537618	WIRE, 14-1, TRACER, 14 GAUGE POLY
14-1-CCS	1542377	WIRE, 14-1-CCS, TRACER, 14 GAUGE,

RMI Item #	B2B Item #	Description
150/1800	1543681	GASKET,150/1800,SPIRAL WOUND,18" 150LB
15-007	1525416	GASKET,15-007,FLOAT GAUGE,JUNIOR,RUBBER
1532-0240	1537891	SIGHT FLOW, 1532-0240, VISI FLO, 3/4",
1532-0250	1539880	SIGHT GLASS, 1532-0250 , OPW ENGINEERED
160-104	1512045	VALVE, 160-104, JOMAR, UNION, 3/4" END
160-105	1534293	VALVE, 160-105, JOMAR, UNION, 1" END
16100BP-4	1533649	CONNECTOR, 16100BP-48, DORMONT, APPLIANC
16100BPQ-3	1508707	CONNECTOR, 16100BPQ-36, DORMONT, APPLIAN
16100BPQ-4	1508708	CONNECTOR, 16100BPQ-48, DORMONT, APPLIAN
16100BPQ-5	1508709	CONNECTOR,16100BPQ-60, DORMONT, APPLIAN
16100BPQ-6	1508710	CONNECTOR, 16100BPQ-72, DORMONT, APPLIAN
16125BP-4	1508718	CONNECTOR, 16125BP-48, DORMONT, APPLIANC
16125BPQ-4	1508723	CONNECTOR, 16125BPQ-48, DORMONT, APPLIAN
16125BPQ-5	1508724	CONNECTOR, 16125BPQ-60, DORMONT, APPLIAN
1650B-24	1508666	CONNECTOR, 1650B-24, DORMONT, APPLIANCE
1650B-72	1508670	CONNECTOR, 1650B-72, DORMONT, APPLIANCE
1650BP-24	1508671	CONNECTOR, 1650BP-24, DORMONT, APPLIANCE
1650BP-36	1508672	CONNECTOR, 1650BP-36, DORMONT, APPLIANCE
1650BP-48	1508673	CONNECTOR, 1650BP-48, DORMONT, APPLIANCE
1650BP-60	1508674	CONNECTOR, 1650BP-60, DORMONT, APPLIANCE
1650BPQ-2	1508676	CONNECTOR, 1650BPQ-24, DORMONT, APPLIANC
1650BPQ-3	1508677	CONNECTOR,1650BPQ-36, DORMONT,APPLIANC
1650BPQ-4	1508678	CONNECTOR, 1650BPQ-48, DORMONT, APPLIANC
1650BPQ-6	1508680	CONNECTOR, 1650BPQ-72, DORMONT, APPLIANC
1650NPFS-48	1508728	CONNECTOR, 1650NPFS-48, DORMONT,
1660-20	1508344	PIGTAIL,1660-20, M/E,POL X POL,20",1/4,
1660-30	1539500	PIGTAIL,1660-30,MEC,30",POLXPOL1 1/8"HEX
1660-40	1540924	PIGTAIL,1660-40,MARSHALLEXC,40",POLXPOL
1660-48	1534438	PIGTAIL,1660-48,MEC, POLXPOL,48",1 1/8
1661-20	1506565	PIGTAIL, 1661-20, MARSH EXCEL,POLX1/4INV
1661-30	1538091	PIGTAIL, 1661-30, MARSHALL EXCEL
1662-12	1508522	PIGTAIL,1662-12,MEC,POL X POL,12",1/4"OD
1662-20	1534443	PIGTAIL, 1662-20, MEC,POLXPOL,20",7/8 HE
1662-40	1541771	PIGTAIL,1662-40, MEC,POL X POL, 40", 1/4
1662-48	1534496	PIGTAIL,1662-48,MARSH EXCEL, POL X POL
1663-20	1540633	PIGTAIL,1663-20, MEC,POLX 1/4INV FL,20"
1663-40	1542349	PIGTAIL, ME1663-40, MARSH EXCEL, POL x
1664-12	1541436	PIGTAIL,1664-12,MEC,POL X POL,12",1/4"OD
1669-12	1520624	PIGTAIL,1669-12,MEC,POLX1/4MNPT,12"
1669-20	1508883	PIGTAIL,1669-20,MEC,POL X 1/4"MNPT,20"
1675B-24	1508681	CONNECTOR, 1675B-24, DORMONT, APPLIANCE
1675B-48	1508683	CONNECTOR, 1675B-48, DORMONT, APPLIANCE
1675B-72	1508685	CONNECTOR, 1675B-72, DORMONT, APPLIANCE
1675BP-3	1508687	CONNECTOR, 1675BP-36, DORMONT, APPLIANCE
1675BP-4	1508688	CONNECTOR, 1675BP-48, DORMONT, APPLIANCE
1675BP-5	1508689	CONNECTOR, 1675BP-60, DORMONT, APPLIANCE
1675BP-6	1508690	CONNECTOR, 1675BP-72, DORMONT, APPLIANCE
1675BPQ-3	1508692	CONNECTOR, 1675BPQ-36, DORMONT, APPLIANC
1675BPQ-4	1508693	CONNECTOR, 1675BPQ-48, DORMONT, APPLIANC
1675BPQ-5	1508694	CONNECTOR, 1675BPQ-60,DORMONT,APPLIANC
1675BPQ-6	1508695	CONNECTOR, 1675BPQ-72, DORMONT, APPLIANC
1675NPFS-48	1508733	CONNECTOR, 1675NPFS-48,DORMONT,APPLIANCE
1680-12	1508365	HOGTAIL, 1680-12,MEC,POL X POL,12",
1680-20	1533706	HOGTAIL, 1680-20, MARSHALL EXCELSIOR
1684-12	1520655	HOGTAIL,1684-12, MEC.,POL X 1/2 NPT,12"
1684-20	1537259	HOGTAIL,1684-20, MARSHALL EXCL,POL X 1/2
1689-12	1523777	HOGTAIL,1689-12,M/E,POL X 1/4 M,12"
1690-20	1537342	PIGTAIL,1690-20,MEC,20",POLX1/4MPT,1 1/8
1700B	1538566	BLOCK, 1700B, TEE, 1/4" NO CHECK
170-105	1538010	VALVE,170-105,1" X 1" FIP W/TAP,BT2002-1
1701A	1505526	TEE, 1701A, BLOCK, 138M, FPOL X MPOL,
1702A	1504686	CHECK, 1702A, MARSHALL, TEE, 1 1/8 HEX
1702B	1534651	BLOCK, 1702B, MARSHALL EXCEL, TEE,



ALL Products - Alphabetical by Model #



RMI Item #	B2B Item #	Description
1720-801	1506290	VALVE, 1720-801, ROBERT SHAW, SAFETY,
1805-19P	1539626	VALVE,1805-19P,FISHER,RELIEF,1"
1810-100	1506352	ASSEMBLY, 1810-100,-ROBERT SHAW, PILOT-
1820-009	1506353	ASSEMBLY, 1820-009, ROBERT SHAW, PILOT
1820-019	1506354	ASSEMBLY, 1820-019, ROBERT SHAW, PILOT
1830-110	1506356	ASSEMBLY, 1830-110, ROBERT SHAW, PILOT
1830-111	1533948	PILOT KIT, 1830-111, ROBERTSHAW, 25 DEGR
1830-113	1535432	KIT, 1830-113,ROBERTSHAW, PILOT
184118-S	1540235	TERMINAL, 184118S,RINNAI CONTINUUM, ROOF
1950-001	1506423	THERMOPILE, 1950-001, ROBERTSHAW, 32",
1950-002	1506375	THERMOPILE, 1950-002, ROBERTSHAW,
1950-532	1524701	THERMOPILE, 1950-532, ROBERT SHAW
1951-001	1506424	THERMOPILE, 1951-001, ROBERTSHAW, 36",
1951-536	1506425	THERMOPILE, 1951-536, ROBERTSHAW, 36",
1960-027	1524235	THERMOCOUPLE,1960-27, ROBERT-SHAW, 24",
1970-018	1507926	THERMOCOUPLE, 1970-018, ROBERT SHAW, 18"
1970-024	1507927	THERMOCOUPLE, 1970-24, ROBERT SHAW, 24",
1970-048	1507929	THERMOCOUPLE, 1970-48, ROBERT SHAW, 48",
1970-060	1507930	THERMOCOUPLE, 1970-60, ROBERT SHAW, 60",
1980-018	1507931	THERMOCOUPLE, 1980-018, ROBERT SHAW, 18"
1980-024	1507932	THERMOCOUPLE, 1980-024, ROBERT-SHAW, 24"
1980-030	1506385	THERMOCOUPLE, 1980-030, ROBERT SHAW, 30
1980-036	1507933	THERMOCOUPLE,1980-036, ROBERT SHAW, 36"
1980-048	1507934	THERMOCOUPLE, 1980-48, ROBERT SHAW, 48",
1980-072	1538582	THERMOCOUPLE,1980-72, ROBERT SHAW, 72",
1D497606992	1546057	ADAPTOR,1D497606992,BELL,HOSE END,50P
1U-150-012	1538054	UNION, 1U-150-012, INSULATING, 1/2",
1U-150-034	1538324	UNION, 1U-150-034, INSULATING, 3/4"
1U-150-100	1538323	UNION, 1U-150-100, INSULATING, 1"
1U-3000-100	1539017	UNION,IU-3000-100,1", INSULATING, SCH80
20120-12-10	1544105	HOSE END, 20120-12-10 , 1/2 INCH ID MALE
20120-4-6	1517242	FITTING, 20120-4-6, 5/16" MALE, HOSE
20120-8-10	1539303	COUPLING, 20120-8-10, 1/2" MNPT, MALE
20-2	1515975	WRENCH, 20-2, VALVE
2025-A432	1548102	MAGNEHELIC GAUGE KIT,2025-A432, 0-25"WC
20-3	1515976	HANDLE, 20-3,
20-3131-12	1508900	CONNECTOR, 20-3131-12, DORMONT, 1/2"OD,
20-3131-18	1508901	CONNECTOR, 20-3131-18, DORMONT,
20-3131-24	1508842	CONNECTOR, 20-3131-24, DORMONT, 1/2"MIP
20-3131-30	1533077	CONNECTOR, 20-3131-30, DORMONT, FLEXLINE
20-3131-36	1518413	CONNECTOR, 20-3131-36, DORMONT, FLEXLINE
20-3131-48	1518750	CONNECTOR, 20-3131-48,DORMONT, 1/2"MIPx
20-3131-60	1528228	CONNECTOR, 20-3131-60,DORMONT, 1/2"MIPx
20-3132-12	1508765	CONNECTOR, 20-3132-12, DORMONT,APPLIANCE
20-3132-18	1508766	CONNECTOR, 20-3132-18,DORMONT,APPLIANCE
20-3132-24	1508767	CONNECTOR, 20-3132-24,DORMONT,APPLIANCE
20-3132-30	1508768	CONNECTOR, 20-3132-30, DORMONT, APLIANCE
20-3132-36	1508769	CONNECTOR, 20-3132-36, DORMONT,APPLIANCE
20-3132-48	1508770	CONNECTOR, 20-3132-48,DORMONT,APPLIANCE
20-3132-60	1508771	CONNECTOR, 20-3132-60, DORMONT,APPLIANCE
20-3132-72	1508772	CONNECTOR, 20-3132-72, DORMONT,APPLIANCE
207-12-12	1539313	ADAPTOR, 207-12-12, FEMALE, 3/4", PIPE
207-16-16	1540907	SWIVEL, 207-16-16, PARKER, HYDRAULIC/
207-8-8	1520653	UNION, 207-8-8, PARKER HANAFIN, SWIVEL,
20820-6	1517169	COUPLING, 20820-6, FOR S525UL HOSE,5/16"
20820-8-10	1538115	COUPLING, 20820-8-10, PARKER,
208L-2.5	1547731	ADDITIVE,208L-2.5,PRO 2000V,PROPANE
20A-2131-12	1541991	CONNECTOR, 20A-2131-12,DORMONT, GAS
20A-2131-18	1541130	CONNECTOR, 20A-2131-18, DORMONT, GAS
20A-2131-24	1541992	CONNECTOR, 20A-2131-24,DORMONT, GAS
20A-2131-36	1548614	CONNECTOR,20A-2131-36,DORMONT,BLACK
20A-2132-18	1541754	CONNECTOR,20A-2132-18,DORMONT
20A-2132-24	1548612	CONNECTOR,20A-2132-24,DORMONT,BLACK



ALL Products - Alphabetical by Model #



RMI Item #	B2B Item #	Description
224077PP	1540149	ELBOW,224077PP, RINNAI, CONDENSING 45 DE
224078PP	1540148	ELBOW,224078PP,RINNAI,CONDENSING 90 DEG
224079PP	1540611	VENT,224079PP,RINNAI,CONDENSING,19.5"
224080PP	1540145	KIT,224080PP, RINNAI, EXTENSION, 39" VEN
224087PP	1540147	PIPE, 224087PP, RINNAI, EXTENSION,
23-193	1515744	GLOVE, 23-193, MONKEYGRIP, ORANGE,PR.,
254-00	1508504	REGULATOR, 254-00, AUTO CHANGE TWO-STAGE
2700-CV	1534568	DIAL, 2700-CV,SQUIBB-TAYLOR,REPLACEMENT
2700-CV-TOP	1540298	DIAL, 2700-CV-TOP, TAYLOR, UNDERGROUND
2701-CV	1541961	DIAL ASSY, 2701-CV, SQUIBB TAYLOR,130009
274-FC	1536928	CUTTER, 274-FC, IMPERIAL EASTMAN,TUBE
27720-6	1538121	COUPLING, 27720-6, PARKER,
27920-6	1538119	COUPLING, 27920-6, PARKER,
289H-2	1505018	VALVE, 289H-2, FISHER, RELIEF, 2 NPT,
289H-3	1545071	VALVE, 289H-3, FISHER, RELIEF, 3 NPT,
289H-43	1538593	VALVE, 289H-43, FISHER, RELIEF, 1",
2-JR	1534138	DIAL, 2-JR, JUNIOR GAUGE, GLUE IN TYPE
2-SR	1540297	DIAL, 2-SR, TAYLOR, UNIVERSAL, SENIOR
300/0300	1545628	GASKET, 300-0300, 3 INCH, SPIRAL WOUND
3-0014	1534579	KIT, 3-0014, ALGAS, THERMO, PILOT ORIFIC
30-3131-12	1518409	CONNECTOR, 30-3131-12, DORMONT, 1/2"OD,
30-3131-18	1535095	CONNECTOR, 30-3131-18, DORMONT,
30-3131-24	1534433	CONNECTOR, 30-3131-24, APPLIANCE
30-3131-36	1534434	CONNECTOR, 30-3131-36, APPLIANCE
30-3131-48	1534435	CONNECTOR, 30-3131-48, APPLIANCE
30-3131-60	1538876	CONNECTOR, 30-3131-60, DORMONT,
30-3131-72	1512904	CONNECTOR, 30-3131-72, APPLIANCE
30-3132-12	1508751	CONNECTOR, 30-3132-12,DORMONT, APPLIANCE
30-3132-18	1508752	CONNECTOR, 30-3132-18, DORMONT,APPLIANCE
30-3132-24	1508753	CONNECTOR, 30-3132-24, DORMONT,APPLIANCE
30-3132-30	1508754	CONNECTOR, 30-3132-30, DORMONT,APPLIANCE
30-3132-36	1508755	CONNECTOR, 30-3132-36,DORMONT,APPLIANCE
30-3132-48	1508756	CONNECTOR, 30-3132-48, DORMONT,APPLIANCE
30-3132-60	1508757	CONNECTOR, 30-3132-60, DORMONT,APPLIANCE
30-3132-72	1508758	CONNECTOR, 30-3132-72, DORMONT,APPLIANCE
30-3232-36	1534754	CONNECTOR, 30-3232-36, DORMONT,
30-3232-48	1508908	CONNECTOR, 30-3232-48, DORMONT, APPLIACE
31030-24	1539439	WRENCH, 31030-24, RIGID, STR PIPE
31105-824	1538823	WRENCH, 31105-824, RIGID, 24", ALUMINUM
31110-836	1539982	WRENCH, 31110-836, RIGID, 36", ALUMINUM
325-3L-1/2	1543642	REGULATOR,325-3L-1/2, MAXITROL,1/2"
325-5AL-1	1539710	REGULATOR, 325-5AL-1, MAXITROL, LP
325-5AL-1/2	1540910	REGULATOR, 325-5AL-1/2, MAXITROL, LP
325-5AL-3/4	1537643	REGULATOR, 325-5AL-3/4, MAXITROL, LP
325-7AL-1.25	1540661	REGULATOR, 325-7AL-1..25, MAXITROL, LP
332XXX	1549604	SPARKPLUG, 332, FLAME ENG, ONLY RED DRGN
35C10	1522975	CHAIN, 9912.0001, HANNAY,
364-FHA-08	1512230	BENDER, 364-FHA-08, LINCOLN CONT.,1/2"OD
364-FHA-10	1534162	BENDER, 364-FHA-10, LINCOLN CONT.,5/8"
37140-6	1547556	KIT,37140-6,ALGAS,RE-IGNITER,9VDC W/CON
39865W052	1544399	INDEX BOX,39865W052,W/DEXSEAL AM & AC250
3DFA-25	1540281	LINER, 3DFA-25, EMPIRE,
3X24-26	1520472	PIPE, 3X24-26 3IN X24IN GALVANIZED
3X90DE-26	1537559	ELBOW, 3X90DE-26, 3"90-DEG 26GA
400051-001	1516712	METER, 400051-001, NEPTUNE,1" TYPE 4D
400-102	1525047	SEALANT. 400-102, JOMAR, 1/4 PINT
400-104	1538573	SEALER, 400-104, JOMAR, PINT,
40-4142-24	1508620	CONNECTOR, 40-4142-24, DORMONT
40-4142-36	1508622	CONNECTOR, 40-4142-36, DORMONT
40-4142-48	1508623	CONNECTOR, 40-4142-48, DORMONT
40764-12	1547554	KIT, 40764-12, ALGAS, INLET VALVE REPAIR
40766-12	1547555	KIT, 40766-12, ALGAS, REPAIR, 80/40H,
40768-6	1548250	PILOT,40768-6,ALGAS,PILOT ASSEMBLY KIT

Don't see what you're looking for? Give us a call and we can help!

Ray Murray, Inc. - 800-628-5044 - www.raymurray.com



RMI Item #	B2B Item #	Description
40C10	1542798	CHAIN, 9912.0008, HANNAY,40C10,
40C-4142-48	1548588	CONNECTOR,40c-4142-48,DORMONT,3/4"
41011-SDI	1543008	KIT,41011-SDI,ALGAS,RELIGHT
41073-6	1547716	THERMOSTAT,41073-6,SAM DICK,W/RELIGHTER
41-204	1506359	IGNITOR, 41-204, ROBERT SHAW, PILOT
41-205	1506361	IGNITOR, 41-205, ROBERT SHAW, RANGE
41-401	1506343	IGNITOR, 41-401, ROBERT SHAW, FURNACE
41-402	1506397	IGNITOR, 41-402, ROBERTSHAW, FURNACE
41-403	1532200	IGNITOR, 41-403, ROBERTSHAW, HSI IGNITOR
41-404	1524255	IGNITOR, 41-404, ROBERT SHAW, HEATING
41-405	1532212	IGNITOR, 41-405, ROBERTSHAW, HSI IGNITOR
41-406	1506436	IGNITOR, 41-406, ROBERTSHAW,
41-407	1532236	IGNITOR HOT SURFACE 41-407 ROBERTSHAW
41-408	1506345	IGNITOR, 41-408, ROBERT SHAW, FURNACE
41-409	1532226	IGNITOR, 41-409, ROBERTSHAW, HSI IGNITOR
41-410	1537630	IGNITOR, 41-410, ROBERT SHAW, HEATING
41-411	1533397	IGNITOR, 41-411, ROBERTSHAW, IGNITOR 41-
41-412	1537631	IGNITOR, 41-412, ROBERTSHAW, IGNITOR
41-414	1537092	IGNITOR, 41-414, ROBERTSHAW,HOT SURFACE
41-4142-24	1508774	CONNECTOR, 41-4142-24,DORMONT
41-4142-36	1508776	CONNECTOR, 41-4142-36, DORMONT
41-4142-48	1508777	CONNECTOR, 41-4142-48, DORMONT
41-B	1545386	HOSE BARB,41-B,9/16"-18 LH MALE BY HOSE
42075-101	1501808	CHAMBER, 42075-101, NEPTUNE, 3/4 - 1"
420XXX	1547186	FLARING TOO,420,ROTHENBERGER,
445-L	1524563	BOX, 445-L, PERFECTION, 2", CURB
445-S	1518386	BOX, 445-S, PERFECTION,1/2-1 1/4 CURB A
45806-101	1522745	CHAMBER,45806-101,NEPTUNE,MEASURING,
4590-817	1539581	NUT, 4590-817, COMPRESSION, 1/4" EXTENDE
46DVA-06B	1542804	PIPE, 46DVA-06B, SIMPSON DURA, 6" BLACK
46DVA-08AB	1538293	VENT, 46DVA-08AB, SIMPSON DURA,
46DVA-09B	1542805	PIPE, 46DVA-09B, SIMPSON DURA, 9" BLACK
46DVA-12	1539955	PIPE, 46DVA-12, SIMPSON DURA,12", GALVIN
46DVA-12B	1538290	PIPE, 46DVA-12B, SIMPSON DURA,12"BLACK
46DVA-16A	1540330	PIPE, 46DVA-16A, SIMPSON DURA,
46DVA-16AB	1541934	VENT,46DVA-16AB,SIMPSON DURAVENT,ADJUST
46DVA-17TAB	1543295	VENT,46DVA-17TAB,SIMPSON DURAVENT
46DVA-18B	1546756	VENT, 46DVA-18B, SIMPSON DURA, 18" PIPE
46DVA-24	1539956	VENT, 46DVA-24, SIMPSON DURA, 24" PIPE
46DVA-24B	1538380	VENT, 46DVA-24B, SIMPSON DURA, 24" PIPE
46DVA-24TAB	1543296	VENT,46DVA-24TAB ,SIMPSON DURAVENT
46DVA-36	1540675	VENT, 46DVA-36, SIMPSON DURA, 36" PIPE
46DVA-36B	1543851	VENT,46DVA-36B,SIMPSON DURAVENT
46DVA-48B	1542589	PIPE, 46DVA-48B,SIMPSON DURAVENT,
46DVA-60	1547003	VENT,46DVA-60,S/D,4" x 6-5/8",GALVANIZED
46DVA-60B	1549441	VENT,46DVA-60B,DURAVENT,4X6X60,
46DVA-CL33	1547639	ILINER,46DVA-CL33,DURAVENT,4" INNER DIAM
46DVA-CS	1542591	BOX, 46DVA-CS, SIMPSON DURA,CEILING
46DVA-DC	1538384	COLLAR, 46DVA-DC, SIMPSON DURA, CEILING
46DVA-E45	1539954	ELBOW, 46DVA-E45, SIMPSON DURA, GALVANIZ
46DVA-E45B	1542588	ELBOW, 46DVA-E45B,SIMPSON DURAVENT,
46DVA-E90	1539952	ELBOW, 46DVA-E90, SIMPSON DURA, GALVANIZ
46DVA-E90B	1538291	ELBOW, 46DVA-E90B, SIMPSON DURA, DIRECT
46DVA-F12	1538382	FLASHING, 46DVA-F12, SIMPSON DURA, 12/12
46DVA-F6	1542590	FLASHING,46DVA-F6,SIMPSON DURA,0/1-6/12
46DVA-GCL	1545623	CONNECTOR, 46DVA-GCL, SIMPSON DURA, APPL
46DVA-H2	1545706	CAP, 46DVA-H2, SIMPSON DURAVENT, HORIZ,
46DVA-HC	1538294	CAP, 46DVA-HC, SIMPSON DURAVENT
46DVA-KHC	1541933	KIT,46DVA-KHC,SIMPSON DURAVENT,DIRECT VE
46DVA-KMC	1540786	KIT,46DVA-KMC, SIMPSON DURAVENT, MASONAR
46DVA-SC	1538383	COLLAR, 46DVA-SC, SIMPSON DURA, STORM
46DVA-SNK36	1541301	CAP, 46DVA-SNK36, SIMPSON DURAVENT,
46DVA-VCH	1538381	KIT, 46DVA-VCH, SIMPSON DURA, ROOF TERM

RMI Item #	B2B Item #	Description
46DVA-VSS	1542907	SHIELD, 46DVA-VSS,SIMP DURAVENT,VINYL
46DVA-WS	1549442	BRACKET,46DVA-WS,DURAVENT,4X6 5/8
46DVA-WT	1544322	WALL THIMBLE, 46DVA-WT, SIMPSON DURA,
48/3F/SO	1521504	FLANGE, 48/3F/BL, 3"
48/3R/BL	1541686	FLANGE,48/3R/BL, RF BLIND
4BVT	1549555	TEE,4BVT,SIMPSON DURA-VENT,4",BV/GV PIPE
4DFA-35	1540787	LINER, 4DFA-35, SIMPSON DURA, 4"X35FT
4X24-26	1520471	PIPE, 4X24-26, 4IN X 24IN GALVANIZED, VE
4X90DE-26	1503864	ELBOW, 4X90DE-26, 4"90-DEG 26GA
500-303	1544141	VALVE,500-303, JOMAR,FULL PORT VALVE 1/2
500-304	1540685	VALVE, 500-304, JOMAR, 3/4", 4 BOLT SS
500-305	1540686	VALVE, 500-305, JOMAR, 1", 4 BOLT SS
500-307	1548263	VALVE,500-307,JOMAR,1 1/2"
500-308	1545470	VALVE,500-308,BALL, 2" STAINLESS STEEL
500-310	1542732	VALVE, 500-310, JOMAR, BALL, THREADED 3"
500BRK	1524989	LOCK, 500BRK, BREAK-AWAY, KEYED ALIKE
5088X	1221689	FURNACE,5088X,EMPIRE,LP,FLOOR,45,000
512XXX	1512483	CUTTER, 512, PACPO
51-5152-24	1508632	CONNECTOR, 51-5152-24, DORMONT
51-5152-36	1508628	CONNECTOR, 50-5152-36, DORMONT
51-5152-48	1508635	CONNECTOR, 51-5152-48, DORMONT
52548P010	1544473	SEAL,52548P010,AMERICAN, INDEX
52870K161	1523824	PULSER, 52870K161,REMOTE VOLUME
52935K005	1545966	INDEX,52935K005,2PSI,FOR AL-5000TC-CF
537XXX	1544302	BARB,537, 3/8NPT X 1/4 HOSE,CONNECTOR
539XXX	1517164	CONNECTOR,539,3/8MALE NPT X 3/8 BARB,
543XXX	1534574	HOSE BARB,543,DIXON BRASS,3/8" BARB X 1/4
58DVA-06	1538240	VENT, 58DVA-06, SIMPSON DURAVENT
58DVA-08A	1538239	VENT, 58DVA-08A, SIMPSON DURAVENT,
58DVA-16A	1538336	VENT, 58DVA-16A,SIMP DURAVENT,ADJUSTABLE
58DVA-24	1538238	VENT, 58DVA-24, SIMPSON DURAVENT
58DVA-36	1538333	VENT, 58DVA-36,SIMP DURAVENT, 36" LENGHT
58DVA-48	1538334	VENT, 58DVA-48,SIMP DURAVENT, 48" LENGHT
58DVA-60	1538335	VENT, 58DVA-60,SIMP DURAVENT, 60" LENGHT
58DVA-E45	1538332	VENT, 58DVAE45, SIMP DURAVENT, 45 ELBOW
58DVA-E90	1538241	VENT, 58DVAE90, SIMP DURAVENT, 90 ELBOW
58DVA-F6	1538337	VENT, 58DVA-F6,SIMP DURAVENT, FLASHING
58DVA-HC	1538242	VENT, 5DVA-HC,SIMP DURAVENT, HORIZONTAL
58DVA-SC	1538339	VENT, 58DVA-SC,SIMP DURAVENT, STORIM
58DVA-VCH	1538338	VENT, 58DVA-VCH,SMP DURAVENT,CAP
5X24-26	1520482	PIPE,5x24-26, SIMPSON DURAVENT, 5INX24IN
600-230	1541685	VALVE,600-230,FLANGED BALL,300 LB
601522-001	1548633	GASKET,601522-001,3/4-1", VITON MAIN CASE
609-AHX	1547464	STARTER SWITCH,609-AHX,MANUAL W/HEATER
620-1/4	1544557	FERRULE, 620-1/4, BREAKAWAY
620-1/8	1547698	FERRULES,620-1/8, MALE BREAKAWAY,1/8
627-5810	1533617	REGULATOR, 627/5810, FISHER, 1ST STAGE
627-6210	1533618	REGULATOR, 627-6210, FISHER, 1ST STAGE
627-7710	1533619	REGULATOR, 627/7710, FISHER, 1ST STAGE
627-7710V	1539709	REGULATOR, 627-7710V, FISHER, 1"
627M-267	1546606	REGULATOR, 627M-267, FISHER,
627M-421	1533485	REGULATOR, 627M-421, FISHER,
627M-471	1542643	REGULATOR, 627M-471,FISHER,
627R-117	1528268	REGULATOR, 627R-117, FISHER, COMMERCIAL
627R-197	1533484	REGULATOR, 627R-197,FISHER, COMMERCIAL
630-104/78V	1546849	REGULATOR,630-104/78V,FISHER,VITON,
630-104-78	1505024	REGULATOR, 630-104-78, FISHER, 1-STAGE,
632-37830	1538865	DIE SET, 632-37830, 3/4" 14 NPT DIE ONLY
632-37835	1538866	DIE SET, 632-37835, 1"- 11 1/2 NPT,
632-37840	1538867	DIE SET, 632-37840, 1 1/4- 11 1/2 NPT,
632-37845	1538868	DIE SET, 632-37845, 1 1/2 - 11 1/2 NPT,
632-37850	1538869	DIE SET, 632-37850, 2" - 11 1/2 NPT,
632-38625	1538863	CASE, 632-38625, METAL, HOLD 6 DIE HEADS



ALL Products - Alphabetical by Model #



RMI Item #	B2B Item #	Description
632-65990	1542555	DIE HEAD, 632-65990, COMPLETE, 2 INCH,
64-222	1504899	REGULATOR, 64/222, FISHER, 64/33 W/35-10
64-33	1504896	REGULATOR, 64/33, FISHER, HIGH PRESSURE,
64-35	1504897	REGULATOR, 64/35, FISHER, HIGH PRESSURE,
64-36	1504898	REGULATOR, 64/36, FISHER, HIGH PRESSURE,
64SR-21	1504900	REGULATOR, 64SR/21, FISHER, 1/2 X 1/2 NPT
64SR-22	1504901	REGULATOR, 64SR/22, FISHER, 64SR/21
64SR-23	1504902	REGULATOR, 64SR/23, FISHER, W/5-35 PSI
67CD-101	1533597	REGULATOR, 67CD-101, FISHER, ADJUSTABLE
67CD-102	1533598	REGULATOR, 67CD-102, FISHER, ADJUSTABLE
67CD-103	1533599	REGULATOR, 67CD-103, FISHER, ADJUSTABLE
67CH-150	1533600	REGULATOR, 67CH-150, FISHER, MPOL X 9/16
67CH-741	1533480	REGULATOR, 67CH-741, FISHER, 50-135 PSI
67CH-742	1533479	REGULATOR, 67CH-742, FISHER, 30-60 PSI
67CH-743	1528162	REGULATOR, 67CH-743, FISHER, 0-35 PSI
67CH-745	1533602	REGULATOR, 67CH-745, FISHER, ADJUSTABLE
67CH-80	1533603	REGULATOR, 67CH-80, FISHER, 67CH-742 WITH
67CH-90	1533604	REGULATOR, 67CH-90, FISHER, 67CH-743 WITH
67CN-104	1533605	REGULATOR, 67CN-104, FISHER, NON
67CN-105	1533606	REGULATOR, 67CN-105, FISHER, NON
67CN-106	1533607	REGULATOR, 67CN-106, FISHER, NON
67CW-62	1533609	REGULATOR, 67CW-62, FISHER, 50-135 PSI
67CW-683	1538541	REGULATOR, 67CW/683, FISHER, HIGH PRESSURE
67CW-684	1533610	REGULATOR, 67CW-684, FISHER, ADJUSTABLE
67CW-685	1533611	REGULATOR, 67CW-685, FISHER, ADJUSTABLE
67CW-701	1533612	REGULATOR, 67CW-701, FISHER, ADJUSTABLE
6BLACKCOLLAR	1503631	COLLAR, 6BLACKCOLLAR, SIMPSON DURAVEN
6GVL45	1503396	ELBOW, 6GVL45, SIMPSON DURA-VENT, 6",
700-503	1506315	VALVE, 700-503, ROBERT SHAW, MILLIVOLT,
700-505	1506410	VALVE, 700-505, ROBERTSHAW, MILLIVOLT,
700-511	1506364	VALVE, 700-511, ROBERTSHAW, GAS HEATING,
71-504-01	1542864	VALVE, 71-504-01, 3/4", BRASS, STRAINER
720-079	1506414	PILOT, 720-079, ROBERTSHAW, INTERMITTANT
720-400	1506405	VALVE, 720-400, ROBERTSHAW, 24Vw/UNI-KIT
720-402	1506311	VALVE, 720-402, ROBERT SHAW, 24V. GAS
720-474	1506312	VALVE, 720-474, ROBERT SHAW, STEP OPEN 2
7325-S	1523186	TRUCK, T7325-S, CYLINDER, 100#
75ST-06	1523977	KIT, 75ST-06, 3/8", SEDIMENT TRAP
75ST-08	1523080	KIT, 75ST-08, 1/2", STAMINATE
75ST-12	1536787	KIT, 75ST-12, 3/4", STAMINATE
77XXX	1545091	SHUT OFF, 77XXX, WHEELER, 3/8-2",
78-004	1542378	FLAG, 78-004, YELLOW, MARKING, 4X5INCH,
78-150	1533163	GLOVE, 78-150, WHITE, INSULATOR
7BLACKCOLLAR	1503964	COLLAR, 7BLACKCOLLAR, SIMPSON DURAVENT
7GVL45	1503397	ELBOW, 7GVL45, SIMPSON DURA-VENT, 7",
80-100	1541404	VALVE, 80-100, APOLLO BALL, 3", CAST BRONZE
80-101	1520326	VALVE, 80-101, APOLLO, BALL, 1/4",
80-102	1544362	VALVE, 80-102, APOLLO BALL, 3/8",
80-103	1507200	VALVE, 80-103, 1/2" APOLLO, BALL
80-104	1538109	VALVE, 80-104, APOLLO, BALL, 3/4" THREAD
80-105	1512082	VALVE, 80-105, 1" APOLLO, BALL
80-107	1538659	VALVE, 80-107, APOLLO, BALL, 1 1/2"
80-108	1516102	VALVE, 80-108-01, APOLLO, BALL, 2"
802XXX	1534505	ADAPTOR, 802, WESTERN ENT., 555 X FPOL
80-8107	1512209	VALVE, 80-8107, CAVAGNA, 20LB OPD
80905-012	1501812	GEAR, 80905-012, TRAIN, 3/4", NEPTUNE
80905-017	1501922	TRAIN, 80905-017, NEPTUNE, 1" GEAR,
81230-030	1501816	GEAR, CHANGE, 81230-030, NEPTUNE,
82476-001	1516681	FLOAT, 1 1/4"-1 1/2"-2", 82476-001, NEPTUNE
82976-001	1525140	ASSEMBLY, 082976-001, NEPTUNE, STAR CONNE
83502-000	1501827	GEAR, 83502-000, NEPTUNE, TRAIN, 2", 3.7
83539-000	1519982	EXPANDER, 83539-000, NEPTUNE
83540-000	1520478	SPRING, 83540-000, BOX

Don't see what you're looking for? Give us a call and we can help!

Ray Murray, Inc. - 800-628-5044 - www.raymurray.com

RMI Item #	B2B Item #	Description
84806-000	1501829	GASKET,84806-000,NEPTUNE,MAIN CASE
855D1373	1547971	PRIMER.855D1373,UNI-POX GRAY
858XXX	1507526	ADAPTER, 858, POL, ADAPTER MPOL X 1/4NPT
87185-000	1534500	STRAINER, 87185-000, NEPTUNE,
87188-001	1501839	ASSEMBLY, 87188-001, NEPTUNE,FLOAT,3/4"
87196-001	1540276	TUBE ASSY, 87196-001, NEPTUNE, REGISTER,
883-00021	1542140	PROBE, 883-00021, SENSIT, BAR HOLE HD,
89274-006	1501840	ASSEMBLY, 89274-006, NEPTUNE, VALVE
8BLACKCOLLAR	1503965	COLLAR, 8BLACKCOLLAR, SIMPSON DURAVENT
8GVL45	1503398	ELBOW, 8GVL45, SIMPSON DURA-VENT, 8",
8GVTC	1503410	TEE CAP, 8GVTC, SIMPSON DURA-VENT, 8",
90-3031	1533925	ADAPTER, 90-3031,1/2MPT,DORMONT
90-3041	1541788	FITTING,90-3041,DORMONT, 5/8FL X 3/4MPT
912-101	1504973	REGULATOR, 912/101, FISHER, FOR SMALL
912-122	1520230	REGULATOR, APPLI.,912/122, FISHER,
924N	1541619	REGULATOR,924N,CAVAGNA,AUTO CHANGEOVER
945TH	1515500	TOOL, 945TH, PARKER HANNIFIN,ROLO FLARE,
94QC1	1534628	COVER, 94QC1, VALVE, QCC1, 20LB CYLINDER
96-INMAN	1544269	MANOMETER,96-INMAN,INCLINE
99-504PHM	1542586	REGULATOR,99-504PHM,FISHER,MONITOR
99-512P	1504985	REGULATOR, 99-512P, FISHER, 2 - 10 PSI
99-515P	1538041	REGULATOR,99-515P, FISHER, HIGH PRESSURE
99-901PH	1546842	REGULATOR,99-901PH,FISHER,2"HP PILOT REG
A-120	1542920	OIL, A-120, DWYER,VIOLET, GAGE
A-1699	1534182	CAP, A-1699, MARSHALL EXCEL, FPOL CAP
A2431	1501931	SCREEN, A2431, STRAINER FOR LC METER
A-48W	1545749	ADAPTOR,A-48W,1/4NPTX1/4INV FL
A75-M/F	1539406	DISCONNECT, A75M/F, DORMONT, QUICK
ABJ-2	1534492	INJECTOR, ABJ-2, MARSHALL EXCELSIOR,
ABJ-AA	1507677	ADAPTOR, ABJ-AA, METHANOL
ABJ-RK	1512676	KIT, ABJ-RK, REPAIR, FOR ABJ-2 INJECTOR
AC-250TC-CF	1517034	METER, AC-250TC-CF, TOP MOUNT
AC-630TC-CF	1540865	METER,AC-630TC-CF,AMERICAN
AJN02035	1542470	PLUNGER BAR, AJN02035, 42 INCH, FOR UG
AL-1000TC-CF	1537901	METER, AL1000TC-CF, AMERICAN
AL417P	1501994	VALVE, AL417P, SQUIBB TAYLOR, QUICK
AL-425TCH-CF	1517029	METER, AL-425TCH-CF, AMERICAN
AL-425TCH-CFH	1538026	METER, AL-425TCH-CFH, AMERICAN
AL-800TC-CF	1517112	METER, AL-800-TC-CF, AMERICAN
ALUM-1/4-5	1537578	KIT, ALUM-1/4-5, ALUMINUM TUBING,
ALUM-1/8-5	1537576	KIT, ALUM-1/8-5, ALUMINUM TUBING,
ALUM-3/16-5	1537575	KIT, ALUM-3/16-5, ALUMINUM TUBING,
ALUM-3/8-5	1544566	KIT,ALUM-3/8-5,PILOT TUBING,ALUMINUM,3/8
AM-250TC-CF	1512077	METER, AM-250TC-CF, 3/4 SIDE MOUNT
AN11001	1543738	CAP,AN11001, 3/4", ANTHES WEATHER
AN11002	1528267	CAP, AN11002, WEATHER
AN11006	1536299	CAP, AN11006, ANTHES WEATHER
AN11011	1512852	CAP, AN11011, RAIN
AN11015	1547375	CAP,AN11015,4",ANTHES WEATHER,#14
AQ62DOT4	1538220	UNION, AQ62DOT4, TUBE X TUBE, 1/4"
AQ64DOT4	1538221	TEE, AQ64DOT4, 1/4" TUBE TEE, BRASS
AQ68DOT4X2	1538244	ADAPTOR, AQ68DOT4X2,1/8 MNPT X 1/4 TUBE
AQ68DOT4X4	1538245	ADAPTOR, AQ68DOT4X4,1/4 MNPT X 1/4 TUBE
AQ69DOT4X2	1538246	ELBOW, AQ69DOT4X2,1/8 MNPT X 1/4 TUBE
AQ69DOT4X4	1538247	ELBOW, AQ69DOT4X4,1/4 MNPT X 1/4 TUBE
AQ72DOT4X2	1543589	TEE, AQ72DOT4X2,1/8 MNPT X 1/4 TUBE,BRAN
AQ72DOT4X4	1543337	TEE, AQ72DOT4X4,1/4 MNPT X 1/4 TUBE,BRAN
ASK300TX	1543174	TRANSMITTER,ASK300TX-PTE,BASE,
ASKW200TX	1546129	HANDHELD,ASKW200TX,BASE ENG,MOBILE
AWP101	1543003	CLEANER,AWP101,HEARTH GLASS CONDITIONER
B117A	1537756	DISCS, B117A, SILVER,
B1CXXX	1523439	SEAL, B1C, 1/4" SAE, COPPER
B1EXXX	1523440	SEAL, B1E, 3/8" SAE, COPPER

RMI Item #	B2B Item #	Description
B1FXXX	1541158	SEAL, B1F, 1/2" SAE, COPPER, BONNET
B1IXXX	1541159	SEAL, B1I, 5/8" SAE, COPPER, BONNET
B2002-1/2	1538018	VALVE, B2002-1/2, JOMAR, BALL, GAS,
B2002-3/4	1525246	VALVE, B2002-3/4, JOMAR, BALL, GAS,
B2002-3/8	1534437	VALVE, B2002F-3/8, JOMAR, BRASS BALL
B2002F-1/2	1541684	VALVE, B2002F-1/2, JOMAR, BRASS BALL, GAS
B2002FF-1/2	1515716	VALVE, BALL GAS, B2002FF-1/2, JOMAR.
B2002FF-3/8	1515707	VALVE, B2002FF-3/8, LEGEND, BRASS SHUT
B2002FF-5/8	1525676	VALVE, B2002FF-5/8, JOMAR, BALL
B2002MF-1/2	1512611	VALVE, B2002MF-1/2, JOMAR, BRASS BALL, GAS
B2002MF-3/8	1541683	VALVE, B2002MF-3/8, JOMAR, BRASS BALL
B-6-4HP	1544307	BUSHING, B-6-4HP, WESTERN, PIPE REDUCER
B-6HP	1544306	NIPPLE, B-6HP, WESTERN, 3/8X3/8MP
BA-4-2HP	1546927	ADAPTOR, BA-4-2HP, 1/4NPT X 1/8NPT, BRASS
BBQ-4G	1512273	OUTLET BOX, BBQ-4G, BURNABY, GREY
BBQ-4HOSE	1535261	HOSE, BBQ-4HOSE, 10', BURNABY, 3/8 M X 3/8 F
BBQ-4SM	1542752	OUTLET BOX, BBQ-4SM, BURNABY, SURFACE MOUNT
BBQ-4SS	1538149	OUTLET BOX, BBQ-4SS, BURNABY, STAINLESS STL
BBQ-4W	1534571	OUTLET BOX, BBQ-4W, BURNABY, WHITE,
BBQ-DBL-SS	1540544	OUTLET BOX, BBQ-DBL-SS, BURNABY, STAINLESS
BF-30W	1221812	HEATER, BF-30W, EMPIRE, LP, BLUE FLAME,
BFT-6HP	1544308	OUTLET, BFT-6HP, WESTERN, FEMALE TEE
BH-38	1547534	FITTING, BH-38, MEC, 3/8" FLARE BULK HEAD
BLADE	1548537	BLADE, REPLACEMENT FOR SHEARS, 1/2-1 1/4
BLADE-2	1548538	BLADE-2, REPLACEMENT FOR SHEARS-2, 1/2-2"
BMF-FST124NS	1548457	FILTER, BMF-FST124NS, BLUE MOON, 2", HI
BST-4HP	1544309	OUTLET, BST-4HP, WESTERN, FEMALE TEE
BT2002-1/2	1512177	VALVE, BT2002-1/2, JOMAR, BALL, GAS,
BT2002-3/4	1515972	VALVE, BT2002-3/4, SHUT-OFF
BT2002-3/8	1515971	VALVE, BT2002-3/8, SHUT-OFF
BT2002F-1/2	1534436	VALVE, BT2002F-1/2, JOMAR, BRASS BALL
BT2002FF-1/2	1515687	VALVE, BALL GAS, BT2002FF-1/2, JOMAR.
BT2002FF-3/8	1515974	VALVE, BT2002FF-3/8, SHUT-OFF
BT2002FF-5/8	1512197	SHUTOFF, BT2002FF-5/8, JOMAR
BV-2	1546738	VALVE, 893980, BLACKMER, BV-2, 2" BYPASS
BV-3/4	1516699	VALVES, BV-3/4, BLACKMER, BYPASS, 25-60 GPM
C407-10-04	1545845	VALVE, C407-10-04, FISHER, 1 1/4" NPT,
C407-10-05	1505677	VALVE, C407-10-05, FISHER, 1-1/4 INTERNAL
C407-10-08	1546350	VALVE, C407-10-08, FISHER, 1-1/4 INTERNAL
C407M10-04	1546398	VALVE, C407M10-04, FISHER, INTERNAL,
C407M10-08	1522919	VALVE, C407M-10-08, FISHER, 1-1/4 INTERNAL
C477-16-25	1540800	VALVE, C477-16-25, FISHER, 2" INTERNAL, JET
CB12X4DLT	1538714	BINDER, CB12X4DLT, 12 FT, DELTA HOOK END
CB12X4FH	1538223	RATCHET STRAP, CB12X4FH, 12 FT, FLAT HOOKS
CB12X4FSH	1512514	BINDER, CB12X4FSH, RMI, CARGO, HEAVY
CC1-4"	1543652	KIT, CC1-4, HORIZONTAL VENT,
CG-LPG-32-R10-3	1543059	HOSE, CG-LPG-32-R10-3, SMART, 2 X 10FT
CG-LPG-32-R15-3F	1543878	HOSE, CG-LPG-32-R15-3F, SMART, 2" X 15FT
CH221QC	1549543	BURNER, CONTROL ASSY, CH221QC, FLAME ENG
CIB3	1538280	BLOWER, CIB-3, EMPIRE, FOR CAST IRON STO
CIB4	1545265	BLOWER, CIB-4, EMPIRE, FOR CAST IRON STO
CIFPB-1C	1510793	KIT, CIFPB-1C, EMPIRE, FLOOR PAD
CIFS-12AC	1541059	KIT, CIFS-12AC, EMPIRE, MARBLE INLAY,
CLASSIC 60	1219326	HEATER, CLASSIC 60, L B WHITE, FORCED AIR
COMPFITKIT-1	1537577	KIT, COMPFITKIT-1, COMPRESSION FITTING
CP-711	1539332	KIT, CP-711, E-Z STAMP, /0-9 & " E " GUN
CP-711-14	1544754	SET, CP-711-14, STAMP, FOR CP-711 0-9/E
CP-A/Z	1544755	SET, CP-A/Z, E-Z STAMP SET, LETTERS A-Z
CR-100	1522905	CRIMPER, CR-100, BENCH
CRADLE-ALUM	1539840	CRADLE, ALUMINUM, TRUCK, FOR 500/1000 GA
CS200IR-6EC3	1540467	REGULATOR, CS200IR-6EC3, FISHER,
CS200IR-6EC6	1542313	REGULATOR, CS200IR-6EC6, FISHER,
CS400IR-6EC6	1547606	REGULATOR, CS400IR-6EC6, FISHER,

RMI Item #	B2B Item #	Description
CS400IR-6IC6	1541125	REGULATOR,CS400IR-6IC6,FISHER, 1 1/4"
CS400IR-6IC7	1540319	REGULATOR,CS400IR-6IC7,FISHER
CS400IR-6IC8	1540630	REGULATOR,CS400IR-6IC8,FISHER
CS400IR-8EC6	1540041	REGULATOR, CS400IR-8EC6, FISHER,2-STAGE,
CS400IR-8EC7	1539912	REGULATOR, CS400IR-8EC7, FISHER
CS400IR-8EC8	1539973	REGULATOR, CS400IR-8EC8, FISHER
CS800IR-8CC7	1541808	REGUALTOR, CS800IR-8CC7, FISHER, 1-1/2"
CS800IR-8CC8	1542929	REGULATOR, CS800IR-8CC8, FISHER, 2"
CS820IR-8GC7	1543160	REGULATOR,CS820IR-8GC7,FISHER, COMMERCIA
CS820IR-8GC8	1542723	REGULATOR,CS820IR-8GC8,FISHER,
CS820IR-8HC8	1541219	REGULATOR,CS820IR-8HC8,FISHER,
CSKB	1540223	KIT, CSK-B, EMPIRE, SHELF, L&R, PORC BK
CSKF	1539769	KIT, CSK-F, EMPIRE, MATTE BLACK, CAST IR
CST-3	1537999	TAPE, 3", YELLOW , CAUTION SAFETY
CVM-200	1525767	CYLINDER VISE, CVM200, RANSOME
CVM-BASE	1524625	BASE, CVM-BASE, CYLINDER, VISE
D139	1504370	VALVE, D139, FISHER, FILLER, 3 NPT X 3 1
DCG24BL	1541084	GRATE,DCG-24BL,EMPIRE,DECORATIVE CAST
DF481VBL	1548621	KIT,DF481VBL,EMPIRE,TRIM BEVEL 3/4 BK
DG1BKP	1547007	DECORATIVE GLASS,DG-1-BKP,EMPIRE,BLACK
DG1BZR	1547002	DECORATIVE GLASS,DG-1-BZR,EMPIRE,BRONZE
DG1CLF	1545883	GLASS,DG1CLF,EMPIRE,12"CLEAR FROST
DRB-1	1535672	BLOWER, DRB-1, EMPIRE, FOR DV-25/35
DS2663BL	1547640	SURROUND, DS2663BL, EMPIRE,BLACK METAL
DS2666BL	1546713	SURROUND, DS2666BL, EMPIRE, INSERT
DS2696BL	1549143	SURROUND,DS2696BL,EMPIRE,BLACK
DS28433BL	1549119	SURROUND,DS28433BL,EMPIRE,BLACK
DV-064	1540893	COVER, DV-064, EMPIRE, OBSERVATION HOLE
DV-1004	1518447	TUBING, DV-1004, EMPIRE
DV-1074	1546707	VALVE,DV1074,EMPIRE,GAS,LP
DV210-SGX	1221644	FURNACE,DV-210-SGX, EMPIRE, WALL,LP, DI
DV215-SGX	1221551	FURNACE,DV-215-SGX, EMPIRE,WALL, LP,DI
DV25-SG	1204542	FURNACE, DV-25-SG, EMPIRE, WALL
DV35-SG	1204543	FURNACE, DV-35-SG, EMPIRE, WALL
DV-40E	1204756	HEATER, DV-40E, EMPIRE, LP, MID
DV-524	1518311	TUBE, DV-524, EMPIRE, FLUE OUTLET
DV-548	1518310	TUBE, DV-548, EMPIRE, AIR INTAKE
DV-55E	1204783	FURNACE, DV-55E, EMPIRE, LP, DI
DV-600	1510466	FLUE KIT, DV-600, EMPIRE, CFM
DV-635B	1541488	HEAT EXCHANGER,DV635B,EMPIRE
DV-757	1521271	KIT, DV-757, EMPIRE, VENT FOR DV-25/
DV-772-G	1510774	ELECTRODE, DV-772-G, EMPIRE, WIRING
DV-778	1538669	GASKET, DV-778, EMPIRE, BURNER DOOR
DV-779	1545130	BURNER DOOR GASKET,DV-779,EMPIRE
DV-781	1534641	BURNER, DV-781, EMPIRE, PILOT WITH ORIFI
DV822	1508957	KIT, DV-822, EMPIRE, VENT, VINYL SIDING
DV-824	1544504	BURNER,DV-824, EMPIRE, FRONT
DV-826	1544503	BURNER,DV-826, EMPIRE, REAR
DV-844	1525167	TUBE, DV-844, EMPIRE, INNER
DV-845	1525166	TUBE, DV-845, EMPIRE, OUTER
DV-907	1543674	PILOT TUBING,DV-907,EMPIRE,W/FERRULE
DV-990	1523811	BURNER, DV-990, EMPIRE
DVB-1	1508956	BLOWER, DVB-1, EMPIRE, PKG.
DVC26IN31P	1221557	INSERT, DVC26IN31P, EMPIRE, INNSBROOK
DVC35-SPPX	1221685	HEATER, DVC35SPPX, EMPIRE, DV, 35K, LP,
DVC55-IPX	1221659	FURNACE,DVC-55-IPX,EMPIRE,LP,WALL,DIR
DVC55-SPPX	1221610	HEATER,DVC55-SPPX,EMPIRE,LP,DIRECT VENT
DVD32FP30P	1221527	FIREPLACE,DVD-32-FP30P,EMPIRE,32"DELUXE
DVD-32-FP31P	1218224	FIREPLACE, DVD32FP31, TAHOE DELUXE
DVD36FP30P	1218281	FIREPLACE, DVD36FP30, EMPIRE, TAHOE,
DVD-36-FP31P	1218234	FIREPLACE, DVD36FP31 EMPIRE, TAHOE,
DVD42FP30P	1221180	FIREPLACE,DVD-42-FP30P,EMPIRE,TAHOE
DVE-1	1509298	KIT, DVE-1, EMPIRE, INTAKE EXHAUST



ALL Products - Alphabetical by Model #



RMI Item #	B2B Item #	Description
DVEK10	1548453	KIT, DVEK-10, EMPIRE,FLEX VENT EXTENTION
DVF1BL	1545432	FRAME,DVF-1-BL,EMPIRE,32" LOUVERED
DVF1HP	1539660	FRAME, DVF1HP, EMPIRE, PEWTER
DVF36BL	1540237	FRAME, DVF-36-BL, EMPIRE, BLACK
DVFB32SBL	1546509	SCREEN,DVFB-32-SBL,EMPIRE,BARRIER
DVFB36TBL	1547260	BARRIER,DVFB-36-TBL,EMPIRE,MATTE BLACK
DVFQ36TBL	1549333	BARRIER SCREEN,DVFQ36TBL,EMPIRE,36IN,
DVG1ABL	1533254	LOUVER, DVG1ABL, EMPIRE, ARCH, BLACK
DVG1MBL	1540094	LOUVER, DVG-1MBL, EMPIRE,
DVG1MHP	1539661	LOUVER, DVG-1-MHP, EMPIRE, MISSION
DVG-4-ABL	1534037	LOUVER, DVG-4-ABL, EMPIRE, BLACK ARCH
DVK35	1540828	KIT, DVK-35, EMPIRE, VENT
DVKHP45	1545109	KIT, DVKHP-45, EMPIRE, HORIZONTAL DIRECT
DVKI2P	1540280	KIT, DVKI-2P, EMPIRE, VERTICAL VENT
DVP1SH	1546510	LINER,DVP-1-SH,EMPIRE,HERRINGBONE BRICK
DVP26AE	1547641	LINER,DVP26AE,EMPIRE,BANDED BRICK, CERAM
DVP26BW	1549125	LINER,DVP26BW,EMPIRE,WASHED BRICK
DVP26DF	1549144	LINER, DVP26DF,EMPIRE,TRADITIONAL
DVP2SA	1534029	LINER, DVP2SA, EMPIRE, AGED BRICK
DVP30CC30BP	1220573	STOVE,DVP30-CC30BP,EMPIRE,LP,HERITAGE
DVP30CC30FP	1220301	STOVE, DVP-30-CC30F, EMPIRE, HERITAGE,LP
DVP30CC30MP	1220711	STOVE,DVP30-CC30MP,EMPIRE,LP,HERITAGE
DVP36D2H	1542851	LINER, DVP-36-D2H, EMPIRE ,STACKED,BRICK
DVP36DG	1540265	LINER,DVP-36-DG, EMPIRE,STACKED LIMESTON
DVP36FP30P	1221204	FIREPLACE, DVP-36-FP30P, EMPIRE, LP
DVP36XE	1542647	LINER,DVP36XE,EMPIRE,BANDED BRICK
DVP3DA	1534137	LINER, DVP3DA, EMPIRE, AGED BRICK
DVP3SA	1542744	FACING, DVP-3-SA, EMPIRE, BRICK
DVP42FP30P	1218935	FIREPLACE, DVP42FP30, EMPIRE, TAHOE
DVP-48-FP31P	1216700	FIREPLACE, DVP48FP31, EMPIRE, TAHOE,
DVT-2	1509300	VENT, DVT-2, EMPIRE, EXTENDED VENT TERMI
DVVK4F	1542648	KIT, DVVK-4F, EMPIRE, DIRECT VENT
DVVK4FRE	1543848	KIT,DVVK-4FRE, EMPIRE,HORIZONTAL, FLEX
DVVK4FREVS	1543849	KIT,DVVK-4FREVS,EMPIRE,HORIZONTAL,VINYL
DVVK4FV	1548452	KIT, DVVK-4FV,EMPIRE, DIRECT VENT,VERITI
DVVK4RP	1533160	KIT, DVVK-4RP, EMPIRE, DIRECT VENT FIRE
DVVK4TP	1549341	KIT,DVVK4TP,EMPIRE, TOP VENT KIT FOR TAHO
DVX36FP31LN	1221007	FIREPLACE,DVX-36-FP31LN-NG,EMPIRE, TAHOE
DVX36FP31LP	1221898	FIREPLACE,DVX36FP31LP,EMPIRE,36IN,LP
EK1	1510798	KIT, EK-1, EMPIRE, EMBERS
EK2	1540236	KIT, EK-2, EMPIRE, EMBERS,
ELH1	1509311	HOOD, ELH-1, EMPIRE, FIREPLACE, BLACK, F
EM-3	1526075	MOTOR, EM-3, 3HP, 230/460v ELECTRIC,
EM-5	1540958	MOTOR, EM-5, BALDOR, 5 HP, 1725 RPM
EMBC1SC	1219226	MANTEL, EMBC-1S-C, EMPIRE CHERRY
EMBC1SDO	1219323	MANTEL, EMBC-1S-DO, EMPIRE DARK OAK
EMBC1SW	1221528	CABINET,EMBC-1S-W,EMPIRE,WHITE W/BASE
EMBC3SC	1221205	MANTLE, EMBC-3S-C,EMPIRE, TAHOE, CHERRY,
EMBC-3S-O	1221232	MANTEL,EMBC-3S-O ,EMPIRE,OAK,
EMBC-4S-C	1221181	MANTLE, EMBC-4S-C,EMPIRE,CHERRY
EMBC-4S-O	1221286	MANTLE, EMBC-4S-O,EMPIRE,OAK
EMBF11SDO	1221717	CABINET,EMBF-11S-DO,EMPIRE,DARK OAK
EMBF-11S-O	1220812	MANTLE, EMBF-11S-O, EMPIRE
EMBF1SC	1219318	MANTEL, EMBF-1S-C, EMPIRE, CHERRY
EMBF1SDO	1219685	MANTEL EMBF-1S-DO,EMPIRE,DARK OAK,32IN
EMBF1SO	1219157	MANTEL, EMBF-1S-O, EMPIRE, OAK
EMBF1SW	1219534	MANTEL EMBF-1S-W, EMPIRE, WHITE, STANDAR
EMBF3SC	1221458	MANTLE,EMBF-3S-C, EMPIRE,TAHOE,36"CHERRY
EMBF3SW	1220263	MANTEL,EMBF-3S-W,EMPIRE,WHITE,
EMBF-4S-O	1221441	MANTEL,EMBF-4S-O,EMPIRE,OAK,
EMC-1	1523551	MOTOR, EMC-1, FOR BLACKMER PUMP, 1 HP
EMC-1.5	1516951	MOTOR,EMC-1.5,BALDOR, 1.5 HP
EMC-2	1545581	MOTOR,EMC-2, BALDOR, 2HP, SINGLE PHASE

Don't see what you're looking for? Give us a call and we can help!

Ray Murray, Inc. - 800-628-5044 - www.raymurray.com



ALL Products - Alphabetical by Model #



RMI Item #	B2B Item #	Description
EMC22C	1213208	MANTEL, EMC-22C, EMPIRE,W/BASE,CHERRY
EMC22DO	1215374	MANTEL, EMC-22DO, EMPIRE, W/BASE
EMC22O	1213209	MANTEL, EMC-22O, EMPIRE,W/BASE,OAK
EMC-22UH	1213211	MANTEL, EMC-22UH,EMPIRE,W/BASE,UNFINISH
EMC22W	1213210	MANTEL, EMC-22W, EMPIRE, W/BASE, WHITE
EMCT-2	1541425	MOTOR, EMCT-2, BALDOR,
EMCT-7.5	1542891	MOTOR, EMCT-7.5, BALDOR,
EMF22C	1213203	MANTEL, EMF-22C, EMPIRE,W/BASE,CHERRY
EMF22DO	1215446	MANTLE, EMF-22DO, EMPIRE, DARK OAK
EMF22O	1213204	MANTEL, EMF-22O, EMPIRE, W/BASE,OAK
EMF22W	1213205	MANTEL, EMF-22W, EMPIRE, W/BASE,WHITE
EMPB-C	1219902	BASE, EMPB-C, EMPIRE, CHERRY
EMPIRELOGDISPLAY	1221209	DISPLAY,EMPIRE-LOG-DISPLAY,EMPIRE
EMPT-C	1219901	MANTEL, EMPT-C, EMPIRE, CHERRY,
EMS-5	1548398	MOTOR,EMS-5,BALDOR,5HP,SINGLE PHASE
EPS-1	1504648	SWITCH,EPS-1,HANNAY,9917.0200
ER-1	1515876	KIT, ER-1, R.MURRAY, EMERGENCY RESPONSE,
ER116A	1547267	PLUG,ER116A,SMALL WOODEN
ER116B	1547268	PLUG,ER116B, MEDIUM, WOODEN
ER116C	1547269	PLUG,ER116C, LARGE WOODEN
EX08DT	1221944	HEATER,EX08DT,RINNAI,BEIGE,LP,DIRECTVENT
EX11DT	1221956	HEATER,EX11DT,RINNAI,LP,DIRECTVENT,BEIGE
EX17DT	1221940	HEATER,EX17DT-LP,RINNAI,DV BEIGE
EX22DT	1221930	HEATER,EX22DT,RINNAI,BEIGE,DIRECT VENT
EX22DTW	1221966	HEATER, EX22DTW, RINNAI, LP, WHITE,
EX38DT	1221933	HEATER,EX38DT-LP,RINNAI,BEIGE,DIRCT VENT
EX38DTW	1221942	HEATER, EX38DTW, RINNAI, LP, WHITE, DV
EX-60LW	1527477	STOVE, EX-60LW, CAMP CHEF, EXPLORER II
EXPB-2A	1504653	SWITCH, 9917.0001, EXPB-2A, HANNAY,
EZ-1445	1540803	ANCHOR, EZ-1445, MINUTE MAN,WET CONCRETE
EZ-1450	1540804	ANCHOR, EZ-1450, MINUTE MAN,WET CONCRETE
EZ-2370	1538235	SLING, EZ-2370, MINUTE MAN,STAINLESS STE
F-#4 GLOBE	1540046	GLOBE, 4-GLOBE, FALKS, #4
F100	1504373	VALVE, F100, FISHER, EXCESS FLOW, 3/4 MN
F101	1504374	VALVE, F101, FISHER, EXCESS FLOW, 3/4 MN
F102	1504375	VALVE, F102, EXCESS FLOW, 1 1/4 MNPT X 1
F105	1504376	VALVE, F105, EXCESS FLOW, 1 1/4 MNPT X 1
F130	1504440	VALVE, F130, FISHER, EXCESS FLOW, 1 X 1
F133	1504443	VALVE, F133, FISHER, EXCESS FLOW, 2 X 2
F170	1504447	VALVE, F170, FISHER, EXCESS FLOW, 3/4 MN
F173	1504448	VALVE, F173, FISHER, EXCESS FLOW, MPOL X
F202	1504464	VALVE, F202, FISHER, EXCESS FLOW, MPOL X
F-2703	1537338	GAS LIGHT, F-2703, FALKS, LP, INDOOR LGH
F-2705	1539655	LIGHT, F-2705, FALKS, DOUBLE WALL
F-2707	1525649	PENDENT, 2707, DOUBLE CEILING, SINGLE
FAW40-SPPX	1221656	HEATER,FAW40-SPPX,EMPIRE,COUNTERFLOW
FBB4	1533252	BLOWER, FBB4, EMPIRE, AUTOMATIC
FBB5	1534244	BLOWER, FBB5, EMPIRE, AUTOMATIC
FBB6	1539708	BLOWER, FBB6, EMPIRE, AUTOMATIC
FBB7	1547000	BLOWER,FBB-7,EMPIRE,VARIABLE SPEED
FBBX	1540022	HARNESS, FBBX, EMPIRE,BLOWER WIRE EXT
FBG36ABL	1534036	LOUVER, FBG-36-ABL, EMPIRE, ARCH BLACK
FBK-100	1547777	BLOWER,FBK100,SUPERIOR,80L84
FC510	1221278	HEATER,FC510,RINNAI,LP,VF CONVECTOR
FC824	1221279	HEATER,FC824,RINNAI,LP,VF CONVECTOR
FH-3	1504656	ASSEMBLY, FH-3, 9939.0042, COMPLETE
FH-302	1547582	BLOCK,9940.0006,HANNAY,FH-302
FLC33	1547344	CART,FLC33,FOR MOTOR FUEL CYLINDER
FLEX 1 1/4-14	1512412	CONNECTOR,1-1/4-14", FLEX, DBL. BRAID,SS
FLEX 1/2-12	1520617	CONNECTOR, FLEX 1/2 X 12, FOR LIQUID LP
FLEX 1-12	1512411	CONNECTOR, FLEX1-12, FLEXIBLE, DBL BRAID
FLEX 2-18	1513019	CONNECTOR, FLEX2-18, FLEXIBLE,SS FOR
FLEX 2-24	1517375	CONNECTOR, 2" X 24", FLEX, DBL BRAIDED

Don't see what you're looking for? Give us a call and we can help!

Ray Murray, Inc. - 800-628-5044 - www.raymurray.com



RMI Item #	B2B Item #	Description
FLEX 3/4-12	1520616	CONNECTOR, FLEX 3/4 X 12,FOR LIQUID LP
FLEX-1-1/4-12	1542252	CONNECTOR, FLEX 1-1/4-12, DBL BRAID,FLEX
F-M3769	1534399	MANTEL, F-M-3769, GALAXY GAS. PREFORME
FPP26E	1540021	LINER, FPP26E, EMPIRE, BRANDED BRICK
FRB-3	1525369	BLOWER, FRB-3, EMPIRE,
FRBC1	1509669	CONTROL, FRBC-1,EMPIRE,BATTERY OPERATE
FRBTC2	1549102	CONTROL,FRBTC2,EMPIRE,BATTERY W/THER
FRBTPS	1544351	REMOTE,FRBTP,EMPIRE,PROGRAMMABLE,
FREC1	1509671	REMOTE, FREC-1, EMPIRE, ELECTRIC
FSCMKI03	1549107	VENT PIPE,FSCMK3,SD,4IN INNER DIA, KIT
FSELB9003	1549108	VENT,FSELB9003,SD,90DEG ELBOW,3IN
FV-11TP	1526708	BURNER, FV-11TP, RED DRAGON, 300,000
FWS1	1509668	SWITCH, FWS-1, EMPIRE, WALL
G100	1504467	VALVE, G100, FISHER, BACK PRESSURE, 3/4
G101	1504468	VALVE, G101, FISHER, BACK PRESSURE, 1 1/
G105	1504471	VALVE, G105, FISHER, BACK PRESSURE, 2 X
G-1654	1537769	ADAPTOR, ME-1654, MARSHALL EXCELSIOR,
G18A42SC-GDBW	1543536	VALVE,G18A42SC-GDBW,SOLENOID,MAGNATROL
G1939	1545397	KIT,G1939,ORIFICE GAUGING DRILL,#19-39
G201-16	1504480	VALVE, G201-16, FISHER, BACK PRESSURE,
G4080	1524332	DRILL ,G4080, KIT, #40-80,
G-5000	1540055	KIT, G-5000, REAMER, #20 - 90
GASKET-250	1538237	GASKET, GASKET-250, CAP
GASKIT-LT	1537505	DETECTOR, GASKIT-LT, LEAK,
GASKIT-XL	1534566	DETECTOR, GASKIT-XL, LEAK, EXTRA LOW T
GB-100	1516076	GAUGE, GB-100, PRESS.,0-100#, POL BRASS
GB-30	1503211	GAUGE, GB-30, LIQUID, 0-30#
GB-300	1533504	GAUGE, GB-300, PRESSURE GAUGE
GB-400	1516077	GAUGE, GB-400, PRESS.,0-400#, POL BRASS
GB-60	1516075	GAUGE, GB-60, PRESS.,0-60#, POL BRASS CA
GC1ZL-1-5DR	1540984	PUMP, GC1ZL-1-5DR. SMITH, 6WEEK LEADTIME
GK-100	1520308	KIT, GK-100, SERVICEMAN'S, GAS,
GK-135	1534442	KIT, GK-135, GAS KIT CO, MASONARY
GK-382	1537667	WRENCH, GK-382, THERMOCOUPLE,
GK-FF	1545977	FILE, GK-FF, FLAT,CLEANS STANBY PILOTS,
GK-HF	1546467	FILE, GK-HF, HOOK,CLEANS PILOTS,
GK-LF	1546465	FILE, GK-LF, FLAT,LARGE, CLEAN PILOTS,
GKPT-KIT	1540527	KIT, GKPT-KIT, 3 WAY TEST, TANK, LINE
GK-SF	1546466	FILE, GK-SF, FLAT,SMALL, CLEANS PILOTS,
GKST-1	1534441	MANOMETER, GKST-1, GAS KIT CO, STANDARD
GKST-2	1528415	MANOMETER, GKST-2, GAS-KIT, WATER, SELF
GKST-5A	1537510	HOSE, GKST-5A, GAS-KIT, FOR MANOMETER
GL-30	1538206	GAUGE, GL-30, LIQUID PRESSURE, 30 LB
GL-300	1503210	GAUGE, GL-300, LIQUID, 0-300#
GLM-400	1507905	GAUGE, GLM-400, 400# LIQUID FILLED
GLS-400	1538931	GAUGE, GLS-400, BOTTOM INLET, STAINLESS
GM-108	1542113	BALL BEARING,GM-108,HANNAY,FOR 109
GM-608	1542112	BALL BEARING,GM-608,HANNAY,FOR 609
GMX-609	1548835	ROLLER, GMX-609, HANNAY, W/BEARING FOR
GM-X-EP	1548886	GUIDEMASTER, GM-X-EP, HANNAY,COMPLETE
GS-100	1516073	GAUGE, GS-100, PRESS.,0-100#, DRAWN STEE
GS-15	1534304	GAUGE, GS-15, PRESS.,0-15#, DRAWN STEEL
GS-160	1538957	GAUGE,GS-160, PRESS.,0-160#, DRAWN STEE
GS-30	1516071	GAUGE, GS-30, PRESS.,0-30#, DRAWN STEEL
GS-300	1520327	GAUGE, GS-300, 300# PRES., STEEL,
GS-35WC	1515711	GAUGE,GS-35WC,MANOMETER
GS-5	1538171	GAUGE, GS-5, DIAPHRAM TYPE, 5 PSI
GT-3	1518395	TAPE, GT-3, METALLIC LOCATOR, ROLL
GUARDIAN 100	1207790	HEATER, GUARDIAN 100HSI,LBWHITE,50-10000
GUARDIAN 250	1207791	HEATER, GUARDIAN 250, LB WHITE, OUTDOOR
GUARDIAN 250 SI	1221178	HEATER,GUARDIAN 250 SI,LB WHITE,LP
GUARDIAN 325N HSI	1221290	HEATER, GUARDIAN 325 HIS, LB WHITE, N/G
GV-100-S-TR	1547727	SAMPLING PUMP,GV-100 S,GASTEC,

RMI Item #	B2B Item #	Description
GWT-35W	1221799	FURNACE,GWT-35W,EMPIRE,LP,GRAVITY WALL
GWTB-2W	1548731	BLOWER,GWTB2W,EMPIRE, TOP MOUNT,
H110-250	1504482	VALVE, H110-250, FISHER, RELIEF, UL, 250
H124	1504487	VALVE, H124, FISHER, RELIEF, 450 PSI,
H144	1504490	VALVE, H144, FISHER, RELIEF, 450 PSI,
H173	1504514	VALVE, H173, FISHER, RELIEF, 375 PSI,
H174	1504515	VALVE, H174, FISHER, RELIEF, 450 PSI,
H185-250	1504516	VALVE, H185-250, FISHER, RELIEF, 250 PSI
H-200P	1534660	COVER, H-200P, 2ND STAGE REGULATOR,
H24-050	1547919	J-CLIP, H24-050, 1/2" PLASTIC, W/NAIL,
H722-250	1528340	VALVE, H722-250, FISHER, 250 PSI, 2"MNPT
H-9 ALMOND	1508862	LIGHT, H-9, HUMPHREY INDOOR GAS,ALMOND
HA160A	1544640	GAUGE, HA160A, SQUIBB TAYLOR, 1 INCH,
HA194A	1547878	FLOAT GAUGE,HA194A,SQUIBTAYLOR,37"DIAMET
HABF	1548843	STAND,HABF, EMPIRE, HEARTHRITE
HAN10	1549515	COUPLING, HAN10, 1/4" MALE NPT PLUG
HAN1000	1549513	SOCKET, HAN1000, HANSEN, 1/4" FNPT
HAN100-006	1512054	COUPLING, HAN100-006, GAS MATE SOCKET 3/
HAN100-008	1507124	SOCKET, 100-008, HANSEN
HAN100-010	1540537	SOCKET, 100-010, HANSEN, 3/4
HAN100-506	1512055	COUPLING, HAN-100-506, GAS MATE PLUG, 3/
HAN100-508	1518415	PLUG, 100-508, HANSEN, MALE
HAN100-510	1540538	PLUG, 100-510, HANSEN, GAS MATE, 3/4"
HAN11	1545396	FITTING, HAN11, HANSEN, 1/4M QUICK DISCO
HAN1100	1545871	SOCKET,HAN1100,HANSEN, 1/4"MNPT
HAN1200	1507005	SOCKET, HAN1200, HANSEN, 3/8 FNPT
HAN1300	1534170	COUPLING, HAN1300, HANSEN, 3/8" MALE NPT
HAN14	1534171	FITTING, HAN14, HANSEN, 3/8, MALE NPT
HAN15	1534172	FITTING, HAN15, HANSEN, 3/8, FEMALE NPT
HAN16	1538170	BARB, HAN16, HANSEN, HOSE, 1/4"
HANDI-LITE	1537668	HOLDER, HANDI-LITE, EXTENDABLE
HANPSDC-2HK	1538316	PLUG, HANPSDC-2HK, PLASTIC DUST, 3/8" SO
HANPSDC-3HK	1542391	PLUG, HANPSDC-3HK, PLASTIC DUST,1/2 INCH
HANPSDC-4HK	1542448	PLUG, HANPSDC-4HK, PLASTIC DUST,3/4 INCH
HBFK-1/4	1522904	KIT, HBFK-1/4, FERRULE,
HBFK-3/8	1540408	KIT, HBFK-3/8, FERRULE,
HBW10TL	1221824	HEATER,HBW10TL,EMPIRE,LP, HEARTHRITE,
HBW20TL	1221816	HEATER,HBW20TL,EMPIRE,LP,HEARTHRITE,
HBW30TL	1221817	HEATER,HBW30TL,EMPIRE,LP,HEARTHRITE,
HBW30TN	1221900	HEATER,HBW30TN,EMPIRE,NAT GAS,HEARTHRITE
HC-4335F	1541435	HOSE END,HC-4335F, MARSHALL BRASS, 3/8"
HC-5133	1508554	HOSE END, HC-5133,MARSHALL BRASS,
HR-23	1543687	INSERT,HR-23,HANNAY,BALL BEARING,1"
HR-25	1517058	BEARING, HR-25, HANNAY, SELF-ALIGN BALL
HR-27	1520108	KEYWAY, HR-27, SPROCKET, HANNAY
HR-35	1537507	MASTERLINK, HR35, HANNAY
HRQXXX	1547100	CHOCK BLOCK,CONTOURED RUBBER ,RMI
HRW10ML	1221818	HEATER,HRW10ML,EMPIRE, LP,HEARTHRITE,
HRW10TL	1221821	HEATER,HRW10TL,EMPIRE,LP,HEARTHRITE,
HRW17ML	1221822	HEATER,HRW17ML,EMPIRE,LP, HEARTHRITE
HRW17TL	1221829	HEATER, HRW17TL,EMPIRE,LP,HEARTHRITE
HRW25TL	1221819	HEATER,HRW25TL,EMPIRE,LP, HEARTHRITE,
HRW30TN	1221854	HEATER,HRW30TN,EMPIRE,NAT GAS,HEARTHRITE
HS80501	1512674	DETECTOR, HS80501, HOME SAFETY, LEAK LP
HSRL-BFC	1528156	REGULATOR, HSRL-BFC,FISHER,COMMERCIAL
HSRL-CFC	1527914	REGULATOR, HSRL-CFC, FISHER, 1" NPT,
I16C1500MP16MP16-P1	1548657	HOSE,1"X125',FAIRVIEW,BOBTAIL,DELIVERY
I16C1800MP16MP16-P1	1548656	HOSE,1"X150',FAIRVIEW,BOBTAIL,DELIVERY
INDEX-10#/425	1540089	COMP INDEX, 10#, FOR AL-425
INDEX-10#/800	1545975	INDEX,10#/800,COMP INDEX FOR AL-800/100
INJECT-1	1534694	INJECTOR, INJECT-1, METHANOL, 1 GAL
J700	1504585	GAUGE, J700, FISHER, THERMOMETER, 4" STE
J701	1504586	GAUGE, J701, FISHER, THERMOMETER, 6"



ALL Products - Alphabetical by Model #



RMI Item #	B2B Item #	Description
JBC-1	1524680	JUNCTION, JBC-1, BOX
JC-KIT	1521648	PILOT, JC-KIT, ASSYEMBLY
JCL-1	1534493	CLIP, JCL-1, METAL J, FOR 1/2 & 3/8
JCL-2	1534494	CLIP, JCL-2, METAL J, FOR 5/8 TUBING
JCP100	1540162	KIT, JPC 100, CP TEST
K15DA-18H	1543692	THERMOCOUPLE, K15DA-18H, JOHNSON CONTROL
K16BT-18	1507946	THERMOCOUPLE, K16BT-18, JOHNSON, 18",
K16BT-24	1507947	THERMOCOUPLE, 24", HUSKY K16BT-24 JOHNSO
K16BT-36	1507948	THERMOCOUPLE, K16BT-36, JOHNSON, 36",
K-COMP	1524813	COMPRESSOR, K-COMP,TANK EVACUATION
K-DIP STICK	1538927	DIPSTICK, K-DIP-STICK, KRUG
KF-120F	1538575	THERMOSTAT, KF-120F, RANSOME
K-GAS	1525551	COMPRESSOR, K-GAS, KRUG, GASOLINE DRIVEN
K-HP	1533262	HAND PUMP, K-HP, KRUG,
K-K2	1534420	KIT, K-K2, HOSE AND VALVE KIT, 25 FOOT
K-LPG	1523586	COMPRESSOR, K-LPG KRUG,EVACATION
K-MOTOR	1540751	MOTOR, K-MOTOR, KRUG,
K-PULLEY	1538079	PULLEY, K-PULLEY, KRUG, 8" DIA
L24-15	1545271	SEAL, L24-15, HUMPHREY, FOR 9, 9T SERIES
LD-7115	1512903	LOCK, LD-7115, COVER, FOR LV-8050 VALVES
LD-BOTTLE	1512073	BOTTLE, LD-BOTTLE, LEAK, EMPTY PINT DI
LD-SPRAY	1516032	SPRAY BOTTLE,LD-SPRAY,PINT,LEAK DETECTOR
LGF1	1538986	PUMP ONLY, BLACKMER, LGF1, 1HP
LGF1-1HP	1517091	PUMP & MOTOR KIT, LGF1-1HP, BLACKMER,
LGF1P	1527216	PUMP, BLACKMER, LGF1P, PUMP ONLY
LGF1P-1.5HP	1516930	PUMP, LGF1P-1.5HP, BLACKMER, w/1.5HP
LGL-1 1/4	1546233	PUMP, LGL 1.25, BLACKMER,
LGL-1 1/4-DM	1517133	PUMP/MOTOR, LGL 1.25-DM, BLACKMER,
LGLD3E	1516695	PUMP, LGLD3E, BLACKMER, BULK TRANSFER,
LGRLF-1 1/4	1533472	PUMP, LGRLF-1 1/4, BLACKMER,
LK2	1545402	KIT,LK-2,EMPIRE,LIGHTING WITH DIMMER
LK3	1545423	DIMMER,LK-3,EMPIRE,LIGHT BRECK VF
LK5	1548619	KIT,LK5,EMPIRE,120 VOLT LIGHTING,RSTAT
LO-90/95	1542398	COUPLING,LO-90-5/8,BRUENING,
LO-90-11/16	1544272	COUPLING,LO-90-11/16,SHAFT,
LO-90-5/8	1544271	INSERT,LO-90/95,SPIDER RUBBER
LPGH-1	1533628	HOSE, LPGH-1, DAYCO, 1 INCH
LPGH-1 1/2	1533635	HOSE, LPGH-1 1/2, DAYCO, 1 1/2 INCH ,
LPGH-1 1/4	1533634	HOSE, LPGH-1 1/4, DAYCO, 1 1/4 INCH ,
LPGH-1/2	1533629	HOSE, LPGH-1/2, DAYCO, 1/2 INCH
LPGH-1/4	1533630	HOSE, LPGH-1/4, DAYCO, 1/4 INCH , LP GAS
LPGH-2	1533636	HOSE, LPGH-2, DAYCO, 2 INCH
LPGH-3/4-3C	1541736	HOSE, LPGH-3/4-3C, DAYCO, 3/4" MNPT x 3'
LPGH-3/8	1533632	HOSE, LPGH-3/8, DAYCO, 3/8 INCH
LS16C	1214655	LOG, LS-16C, EMPIRE, CHARRED OAK
LS18B2	1219518	LOG, LS18B2, EMPIRE, BIRCH, 18IN
LS18C2	1218996	LOG, LS-18C2, EMPIRE, CHARRED OAK
LS18C2S	1219666	LOG, LS18C2S, EMPIRE,SUPER CHARRED OAK
LS18CD	1221746	LOGS,LS18CD,EMPIRE,18IN,DRIFTWOOD,
LS18P	1219072	LOG, LS-18P, EMPIRE, PONDEROSA,
LS18RS	1214656	LOG, LS-18RS, EMPIRE, SASSAFRAS
LS18RSS	1219777	LOG, LS-18RSS, EMPIRE, SUPER SASSAFRASS
LS18SRAO	1220236	LOG, LS-18SRAO, EMPIRE,AGED OAK 7 PC
LS18WRS	1221737	LOGS,LS18WRS,EMPIRE,18IN,REFRACTORY,
LS24B2	1220038	LOG, LS-24B2, EMPIRE,CERAMIC FIBER BIRCH
LS24C2	1218988	LOG, LS-24C2, EMPIRE, CHARRED OAK 5PC
LS24C2S	1219889	LOG, LS-24C2S, EMPIRE, CHARRED OAK SUPER
LS24CD	1221747	LOGS,LS24CD,EMPIRE,24in,DRIFTWOOD,
LS24EF	1220583	LOGS,LS-24EF,EMPIRE,24 IN, CERAMIC FIBER
LS24P	1219073	LOG, LS-24P. EMPIRE, PONDEROSA,
LS24RS2	1220046	LOG, LS-24RS2, EMPIRE, LP,
LS24RSS	1219068	LOG, LS-24RSS,EMPIRE,SASSAFRAS,SUPER
LS24SRAO	1220238	LOG, LS-24SRAO, EMPIRE,AGED OAK 7 PC

Don't see what you're looking for? Give us a call and we can help!

Ray Murray, Inc. - 800-628-5044 - www.raymurray.com



ALL Products - Alphabetical by Model #



RMI Item #	B2B Item #	Description
LS24WRR	1221736	LOG,LS-24WRR,EMPIRE,WILDWOOD,
LS24WRS	1221733	LOGS,LS-24WRS,EMPIRE,24IN,REFRACTORY,7PC
LS30B2	1221568	LOG,LS-30B2,EMPIRE,BIRCH 30IN,CERAMIC
LS30C2	1219573	LOG, LS-30C2, EMPIRE, CHARRED OAK,
LS30C2S	1219078	LOG, LS-30C2S, EMPIRE, CHARRED OAK SUPER
LS30EF	1221207	LOG SET,LS-30EF,EMPIRE,VAIL,CERAMIC
LS30P	1219076	LOG, LS-30P, EMPIRE, PONDEROSA,
LS30RS2	1220073	LOG, LS-30RS2, EMPIRE, LP,
LS30RSS	1219077	LOG, LS-30RSS, EMPIRE, SASSAFRAS SUPER
LS30SRAO	1220298	LOG, LS-30SRAO, EMPIRE, AGED OAK,
LS30WRR	1221745	LOG,LS30WRR,EMPIRE,WILDWOOD,
LS30WRS	1221778	LOG,LS30WRS,EMPIRE,SUPER STACK WILDWOOD
LSU18RR	1219530	LOG, LSU-18-RR, EMPIRE, ROCK CREEK
LSU18SF	1220678	LOGS, LSU-18SF, EMPIRE
LSU24RR	1219563	LOG SET, LSU-24-RR, EMPIRE, ROCK CREEK,
LSU24SF	1221591	LOG SET, LSU-24-SF, EMPIRE,STONE RIVER
LSU30RR	1219521	LOG, LSU-30RR, EMPIRE, SEE THRU
LSU30SF	1219583	LOG, LSU-30SF, EMPIRE,STONE RIVER
LT-POUCH	1541090	CASE, CAS1000,BASE ENG, FOR REMOTE
LV-8050-100	1543782	VALVE, LV-8050-100,3/4"INSULATED LOCKIN
LV-8050-34	1512086	VALVE, LV-8050-34, 3/4" INSULATED LOCKIN
LWCXXX	1535126	CHOCK BLOCK, LWC, SMALL SIZE,
M110	1505037	COUPLING, M110, FISHER, FILLER,1 3/4 AC
M111	1505038	COUPLING, M111, FISHER, FILLER, 1 3/4 AC
M130	1505060	COUPLING, M130, FISHER, FILLER, 3 1/4 AC
M141	1505063	COUPLING, M141, FISHER, VAPOR, 1 1/4 ACM
M-147	1545129	GASKET TUBING SEAL,M147,EMPIRE,
M-151	1538670	GASKET, M-151, EMPIRE, PILOT BURNER
M-155	1510772	GASKET, M-155, EMPIRE, LIGHTING HOLE
M286	1505255	ADAPTOR, M286, FISHER, POL X 1/2 NPT
M303	1505258	ADAPTOR, M303, FISHER, POL X 1/2 NPT
M357	1505343	ADAPTOR, M357, FISHER, POL X 1/2 NPT
M388	1505345	ADAPTOR, M388, SOFT NOSE, POL X 1/4 NPT,
M570	1505436	ADAPTOR, M570, FISHER, HOSE, 1-3/4 ACM
M611	1505438	ADAPTOR, M611, FISHER, 2 1/4 X 1 3/4 ACM
M612	1505439	ADAPTOR, M612, FISHER, 3 1/4 X 1 3/4 ACM
M613	1505440	ADAPTOR, M613, FISHER, 4 1/4 X 3 1/4 ACM
M622	1505441	ADAPTOR, M622, FISHER, 3 1/4 X 1 3/4 ACM
MB-701-2	1534428	ASSEMBLY, MB-701-2, DOUBLE METER BAR
MB-701-3	1528210	ASSEMBLY, MB-701-3, METER BAR
MB-730	1515742	BAR, MB-730,METER/20LT METER CONNECTIO
MB-740	1517032	METER BAR, MB740, AMERICAN
ME100	1524107	COUPLING, ME100,MARSHALL EXCELSIOR
ME101	1524108	COUPLING, ME101,MARSHALL EXCELSIOR
ME106-1	1538962	CAP, ME106-1, MARSHALL EXCEL, PLASTIC
ME109	1519945	CAP, ME109, MARSHALL EXCEL, 1 3/4 ACME
ME109-1	1542177	CAP, ME109-1, MARSHALL EXCEL, 1 3/4 F.
ME110	1524109	COUPLING, ME110,MARSHALL EXCELSIOR
ME111	1524111	COUPLING, ME111, MARSHALL EXCELSIOR
ME111C	1547947	COUPLING,ME111C,MEC,1 3/4FACme x3/4 MNPT
ME112	1524113	COUPLING, ME112, MARSHALL EXCELSIOR
ME112C	1543777	COUPLING,ME112C, MEC,1 3/4 ACME
ME112SC	1547654	COUPLING,ME112SC, MEC,1-3/4 F ACME x 1
ME130	1524116	COUPLING, ME130, MARSHALL EXCELSIOR
ME130S	1541260	COUPLING,ME130S,MARSHAL EXCEL,3-1/4" F.
ME141	1524118	COUPLING, ME141,MARSHALL EXCELSIOR
ME150	1524119	COUPLING, ME150, MARSHALL EXCELSIOR
ME1645	1544202	CONNECTOR,ME1645,MEC,POL X 9/16"-18 LH
ME1650	1540133	BRASS POL,ME1650,MEC,9/16,(858A)
ME1653	1544203	CONNECTOR,ME1653,MEC,POL X 1/4" MNPT
ME1654AR	1538546	FITTING, ME-1654AR, MARSH EXCEL, POL
ME1655	1548438	BARB,ME1655,MEC,1/4INHOSE X POL S.N. W/
ME1662D-12	1543393	PIGTAIL,1662D-12,MEC,POLXPOL,12",DIELECT

Don't see what you're looking for? Give us a call and we can help!

Ray Murray, Inc. - 800-628-5044 - www.raymurray.com



ALL Products - Alphabetical by Model #



RMI Item #	B2B Item #	Description
ME1664D-20	1541840	PIGTAIL,1664D-20,MEC,POLX POL,12",1/4"OD
ME1669D-12	1541837	PIGTAIL,1669-12D,MEC,POLX1/4MNPT,12"
ME1669D-20	1541838	PIGTAIL,1669-20D,MEC,POLX1/4MNPT,20"
ME1691	1540726	PLUG, ME-1691, MARSHALL EXCEL, POL
ME179	1536867	SEAL, ME179, MARSHALL EXCEL, DUST
ME179-1	1539639	ASSEMBLY, ME179-1, MARSHALL EXCEL,
ME181	1534278	SEAL, ME181, MARSHALL EXCEL, DUST,
ME181-1	1539641	DUST SEAL, ME181-1, MARSH EXCEL,
ME200	1541423	CHOCK, ME200, MARSHALL EXCELSIOR, STEEL,
ME200B	1544667	CHOCK, ME200B,MARSHALL EXCELSIOR, HOLDER
ME202	1547607	SNUBBER,ME202,MEC,1/4"MNPT x 1/4"FNPT 54
ME205	1541849	ACTUATOR, ME205, MARSHALL EXCELSIOR, AIR
ME206	1534381	AIR ACTUATOR, ME206, MARSHALL EXCELSIOR
ME207	1546547	ACTUATOR,ME207,MEC,POWER STROKE AIR
ME210	1524122	ADAPTOR, ME210,MARSHALL EXCELSIOR
ME215	1524128	ADAPTOR, ME215,MARSHAL EXCELSIOR
ME217	1524130	ADAPTOR, ME217,MARSHALL EXCELSIOR
ME220F	1534280	CONNECTOR, ME220F, MARSHAL EXCEL,
ME220ML	1547123	CONNECTOR,ME220ML,MEC,1-1/4"LH.M.ACME X
ME229-1	1539458	CAP, ME229-1, MARSH EXCEL, BRASS ACME
ME251-02	1540587	SCREEN, ME251-02, MARSHALL EXCEL,
ME251-03	1540598	CLIP, ME251-03, MARSHALL EXCEL,
ME252-16	1539027	ADAPTOR, ME252, MARSHALL EXCELSIOR
ME262A	1540590	ADAPTOR, ME262A, MARSHALL EXCEL,BRASS
ME262S	1540592	ADAPTOR, ME262SA, MARSHALL EXCEL,
ME270	1539244	ASSEMBLY, ME270, MARSH EXCEL,ADAPTER
ME273	1524135	ADAPTOR, ME273, MARSHAL EXCEL,
ME284	1524142	ADAPTOR, ME284, MARSHALL EXCEL,POL X 1/4
ME286	1524144	ADAPTOR, ME286, MARSHALL EXCEL,
ME287	1524145	ADAPTOR, ME287,MARSHALL EXCEL, POL X
ME295SN-1	1540569	FITTING, ME295N-1, MARSHEL EXCEL,
ME301	1524146	ADAPTOR, ME301,MARSHALL EXCEL, POL X
ME303	1524147	ADAPTOR, ME303, MARSHALL EXCEL, POL X
ME304	1524148	ADAPTOR, ME304, FPOL X 3/4 FNPT
ME305	1537343	ADAPTOR, ME305,MEC,FPOL XFPOL
ME309	1544011	CAP,ME-309,MEC,BRASS,NO CHAIN,CGA 555
ME309-1	1548778	CAP,ME-309-1,MEC,CGA 555W/RING AND CHAIN
ME3162-12	1542837	COUPLING,ME3162-12,MEC,3/4HB x3/4MNPT
ME3162-16	1542636	COUPLING,ME3162-16,MEC,1" HB x 1" MNPT
ME353	1540086	ADAPTOR,ME353,MEC,POLX3/8 MALE FLARE
ME353EX18	1543698	ADAPTER, ME353EX18,MARSH EXCEL,MANIFOLD
ME354EX18	1544281	FITTING,ME354EX18,MEC,POL x 3/8MFL
ME355	1524153	ADAPTOR, ME355, MEC, MPOL x 1/2" M
ME355EX18	1539463	VALVE, ME355EX18, MARSHALL EXCEL, EXC FL
ME356	1543515	ADAPTER, ME356, MARSH EXCEL, MPOL X 5/8"
ME356EX18	1541989	ADAPTOR,ME356EX18,MEC,EXCESS FLOW
ME357	1524154	ADAPTOR, ME357,MEC, POL X 1/2 NPT
ME388	1538243	ADAPTOR, ME388, MARSH EXCEL, POL FILLER
ME390	1524155	COUPLING, ME390, MARSHALL EXCEL,
ME390S	1526471	COUPLING, ME390S, FILLER, STAINLESS
ME392	1517172	ADAPTER,ME392, OPD STYLEFILL,
ME393	1534231	COUPLING, ME-393, MARSHALL EXCEL,
ME393-1	1540243	ADAPTER, ME393-1, MEC,CONVERSION
ME393-2	1547991	ADAPTER,ME393-2,MEC,QUICK CONNECT,
ME393HD	1547806	ADAPTER,ME393HD,MEC,FILLER,1-5/16 M ACME
ME394	1537951	ADAPTOR, ME394, MARSHAL EXCEL, TYPE 1
ME398	1538355	ADAPTOR, ME398, MARSHALL EXCELSIOR,
ME399	1540432	ADAPTER, ME399, MARSHALL EXCELSIOR,
ME4355	1538750	FITTING, ME-4355, MARSHAL EXCEL, HOSE,
ME441F	1543679	CAP,ME441,MEC,3 1/4" ACME
ME441F8-1	1543231	CAP,ME441F8-1,MEC,3-1/4" F. ACME,
ME441F8-1C	1547588	F.ACME CAP,ME441F8-1C,MEC,3-1/4" F,
ME442	1534281	ADAPTOR, ME442, MARSHALL EXCEL,

Don't see what you're looking for? Give us a call and we can help!

Ray Murray, Inc. - 800-628-5044 - www.raymurray.com

RMI Item #	B2B Item #	Description
ME449	1539271	VALVE, ME-449, MARSHAL EXCEL, TRANSFER,
ME449-05	1545733	HANDWHEEL, ME449-05, MARSH EXCEL, FOR
ME453	1539936	ADAPTER, ME453, MARSHALL EXCEL, FEMALE
ME458	1539270	ADAPTOR, ME458, MARSHALL EXCEL.
ME458-04	1542469	O RING,ME458-04,MEC,REPLACE FOR ME458
ME460	1545734	VALVE,ME460,MARSH EXCEL,LIQUID WITHDRAWL
ME462	1545214	VALVE,ME462,MEC,WITHDRAWL TANK, CAP
ME462S	1547426	VALVE,ME462S,MEC,1 1/4 MPT CHECK LOCK
ME4855	1548230	HOSE END, ME4855, MEC, 3/8 X 3/8
ME488	1541079	CONNECTOR, ME-488, MARSHALL EXCELSIOR,
ME-496	1524189	ADAPTOR, ME496,MEC, 20 M SWIVEL X 1/4"
ME498-4/2	1524136	ADAPTOR,ME498-4/2,MEC,1 1/4ACME X 1/4FPT
ME503-16	1524138	ADAPTOR, ME503-16, MARSHALL EXCEL
ME503A-16	1538822	ADAPTOR, ME503A-16, MARSHALL EXCEL
ME503SA-16	1540588	ADAPTOR, ME503SA-16, MARSHALL EXCEL,STEE
ME515	1541878	COUPLING, ME515, MARSHALL EXCELSIOR,
ME516	1539374	FITTING, ME516, MARSH EXCEL, FILLER
ME517	1538544	ADAPTER, ME-517, MARSH EXCEL, QCC
ME517EV	1541945	COUPLING,ME517EV,MEC,1-5/16" F.ACME EVAC
ME518	1541624	FITTING, ME518, MEC,TYPE 1,QCC/OPD
ME518-25H	1540251	FITTING, ME518-25H, MARSHALL EXCELSIOR,
ME519	1542483	ADAPTER, ME-519, MARSH EXCEL, QCC
ME530	1537509	LOCK, ME530, MARSHALL EXCEL, POL
ME530-03	1537671	KEY, ME530-03, MARSHALL EXCEL, POL LOCK
ME551	1544662	AIR ACTUATOR,ME551,MEC,SAFETY STROKE
ME568	1540043	ADAPTOR, ME568,MARSH EXCEL,1 3/4"ACME BY
ME569	1538182	ADAPTOR, ME569, MARSH EXCEL,
ME570	1533337	ADAPTOR,ME570,NOT INTENDED FOR HOSE END
ME571	1539415	ADAPTOR, ME-571, MARSHALL EXCEL, HOSE,
ME571-06	1546187	SPACER,ME571-06,MEC,PLASTIC SPACER RING
ME571-2-03	1545666	GASKET,ME571-2-03,MEC,NOSE REPLACEMENT
ME571H	1542932	ADAPTOR, ME-571H, MEC,HIGH CAPACITY
ME572EXT	1540419	SWIVEL, ME572EXT, MARSHALL EXCEL,
ME572EXTHD	1540914	SWIVEL, ME572EXTHD, MARSHALL EXCELSIOR,
ME574EXT	1537767	ADAPTER, ME574EXT, MARSHALL EXCELSIOR,
ME574EXTHD	1542623	ADAPTER, ME574EXTHD,MEC,HEAVY DUTY
ME578	1547720	FILL ADAPTER,ME578,MEC,FLO MAX SAFETY
ME5930	1545495	HOSE END, ME-5930,MEC,POL X 1/4HB Assem
ME601-10	1542846	VALVE,ME601-10,MEC,1-3/4 INCH FILLER VAL
ME601-6	1540813	VALVE, ME601-6, MEC,1-3/4" M ACME X 3/4"
ME601-902	1542430	CAP, ME601-902, MARSH EXCEL,REPLACEMENT,
ME611	1534282	ADAPTOR, ME611,MEC,2-1/4" FACME X1-3/4",
ME612	1534283	ADAPTOR, ME612,MEC,3-1/4" FACME X1-3/4"
ME635-6	1534284	COUPLING, ME635-6, MARSHALL EXCEL
ME635-8	1524139	COUPLING, ME635-8, MARSHALL EXCEL
ME650S	1543463	STRAINER,ME650S, MEC, 1/2"
ME651S	1545709	STRAINER,ME651S,MEC,3/4",40 MESH
ME651SP	1548246	STRAINER,ME651SP,MEC,3/4" FNPT, W PLUG
ME652S	1545714	Y-STRAINER,ME652S, MARSH EXCEL,WO PLUG
ME652SP	1548248	STRAINER,ME652SP,MEC,1", W PLUG
ME653S	1542453	STRAINER,ME653S, MEC,1-1/4" FNPT x 1-1/4
ME653SP	1536537	STRAINER, ME653SP, MARSHALL EXCEL
ME655S	1546095	STRAINER,ME655S,MEC,2" FNPT x 2" FNPT,Y,
ME663	1545735	VALVE, ME663, MARSH EXCEL, VAPOR RETURN
ME690-4-10	1542833	UNION,ME690-4-10,MEC,1/2" MNPTX5/8" MFL
ME690-4-6	1542754	UNION,ME690-4-6,MEC,1/2" MNPTX3/8" MFL
ME690-4-8	1541183	UNION,ME690-4-8,MARSH EXCEL,1/2MPX1/2MF
ME690-6-10	1542834	UNION,ME690-6-10,MEC,3/4" MNPTX5/8" MFL
ME690-6-6	1542835	UNION,ME690-6-6,MEC,3/4" MNPTX3/8" MFL
ME690-6-8	1542836	UNION,ME690-6-8,MEC,3/4" MNPTX1/2" MFL
ME709	1540811	FILTER, ME709, MARSHALL EXCELSIOR,LP GAS
ME710	1542338	ACTUATOR, ME710, MARSH EXCEL, FLOSTROKE,
ME790	1524187	COUPLING, ME790, FILLER 1-1/4" F ACME

RMI Item #	B2B Item #	Description
ME790L	1543171	COUPLING, ME790L, FILLER 1-1/4" F ACME
ME791C	1538839	VALVE, ME791C, MARSHALL EXCEL, HOSE,
ME791CJ	1539614	VALVE, ME791CJ, MARSHALL EXCEL,1/2FX1/4F
ME791D	1538832	VALVE, ME791D, MARSHALL EXCEL, HOSE,
ME792C	1538524	VALVE, ME792C, MARSH EXCEL, TOGGLE
ME792CJ	1547784	VALVE,ME792CJ,MEC,TOGGLE,1/2" FNPT INLET
ME792D	1538910	VALVE, ME792D, MARSH EXCEL, 1/2" X 1/2"
ME800	1523920	VALVE, ME800, MARSHALL EXCELSIOR,
ME800G	1539857	VALVE, ME800G, MARSH EXCEL, HOSE END
ME800-LSRK	1549322	KIT,ME800-LSRK,MEC,LOWER SEAL REPAIR
ME800-SARK	1549321	KIT,ME800-SARK,MEC,STEM REPAIR,
ME800WS	1542421	VALVE, ME800WS, MARSH EXCEL, HOSE END,
ME810-6	1538034	VALVE, ME810-6, MARSH EXCEL, QUICK
ME815-10	1540436	VALVE, ME815-10, MARSH EXCEL, ANGLE
ME815-24	1539347	VALVE, ME815-24, MARSH EXCEL, 3" ANGLE
ME815-6	1541833	VALVE, ME815-6,MEC,ANGLE,3/4,2 SIDE PORT
ME820-4	1547611	GLOBE VALVE,ME820-4,MEC,1/2" LOCKING
ME820-6	1534564	VALVE, ME820-6, MARSH EXCEL, QUICK
ME820-8	1546437	VALVE,ME820-8,MEC,1" FNPT x 1" FNPT,QUIC
ME821-4	1540336	VALVE, ME821-4, MARSHALL EXCELSIOR, 1/2"
ME825-10	1541416	VALVE,ME825-10, MEC, 1 1/4" GLOBE
ME825-16	1542342	VALVE, ME825-16, MARSH EXCEL, GLOBE,
ME825-6	1544759	VALVE,ME825-6,MEC,3/4" GLOBE VALVE SS IN
ME825-8	1539640	VALVE, ME825-8, MARSHALL EXCEL, GLOBE
ME850SS-6	1539771	SWIVEL, ME850SS-6, MARSHALL EXCEL,3/4"
ME850SS-8	1538938	SWIVEL, ME850SS-8, MARSHALL EXCELSIOR,
ME860S-1-07	1544395	O RING,ME 860S-1-07,MEC,
ME860S-6	1538048	BREAKAWAY, ME860S-6, MARSH EXCEL,
ME861S-6	1538871	COUPLING, ME861S-6, MARSH EXCEL,
ME868A-24	1540593	ADAPTER, ME868A-24, MARSHALL EXCELSIOR,
ME870-6	1547836	VALVE,ME870-6,MEC,3/4FPTx3/4 MPT,BACK
ME875S-16	1543666	VALVE, ME875S-16, MARSHALL EXCEL,SIGHT
ME880-6/14	1546397	VALVE,ME880-6/14,MEC,3/4"FNPT x 3/4"MNPT
ME880-6/22	1542546	VALVE,ME880-6/22,MEC,3/4", EXCESS,22GPM
ME880-6/28	1542437	VALVE,ME880-6/28,MEC,3/4 X 3/4, EXCESS
ME880-6/4.6	1546607	VALVE, ME880-6/4.6,MEC,3/4"FNPT x 3/4"MN
ME880S-10/42	1540435	VALVE, ME880S-10/42, MARSH EXCEL,
ME9101BRK	1546074	BONNET ASSEMBLY, ME9101BRK,MEC,UNIVERSAL
ME9101C1	1542701	VALVE, ME9101C1, MARSH EXCEL, SERVICE,
ME9101H4	1543098	VALVE, ME9101H4, MARSH EXCEL, MOTOR FUEL
ME9101H6	1545736	VALVE, ME9101H6, MARSH EXCEL, MOTOR FUEL
ME9101P5	1545341	VALVE, ME9101P5, MARSHALL EXCELSIOR,
ME9101P5-109	1545302	SCREW,ME9101P5-109,MARSH EXCEL,REPLACE
ME9101P5H	1541269	VALVE, ME9101P5H, MARSHALL EXCELSIOR,
ME930-212	1547193	GASKET,ME930-212,MEC,SPIRAL WOUND TEFLON
ME930-72	1544581	GAUGE,ME930-72,MEC,4" GLOW/BLACK STD
ME930-79	1542455	GAUGE,ME930-79,MEC,4",ACCU MAX, FLOAT
ME951BLK	1538278	OUTLET BOX,ME951BLK,MEC,1/F.POL,BLK CAP
ME951GRY	1538346	OUTLET BOX, ME951GRY, MARSH EXCELSIOR,
ME951IVY	1537944	OUTLET BOX, ME951IVY, MARSH EXCEL,
ME952BLK	1543526	OUTLET BOX,ME952BLK,MEC,BLACK
ME960-120	1540676	KIT, ME960-120, MARSHALL EXCEL, FLEX
ME960-120C	1542749	KIT,ME960-120C, MEC,FLEX VENT RELOCATION
ME960-36	1541215	KIT,ME960-36,MARSH EXCEL,VENT RELOCATION
ME960-48	1541217	KIT,ME960-48,MARSH EXCEL,VENT RELOCATION
ME960-72	1541218	KIT,ME960-72,MARSH EXCEL,VENT RELOCATION
ME980C-8	1548213	VALVE,ME980C-8,MEC,1"FNPT,ESV W/CABLE LA
ME981-8	1546185	VALVE,ME981-8,MEC,1"FNPT SIGHT FLOW
MEGR-100C	1545969	BRACKET, MEGR-100C, MEC, UNIVERSAL
MEGR-1122H-AAJ	1548569	REGULATOR, MEGR-1122H-AAJ,MEC,COMPACT
MEGR-1222-BAF	1544015	REGULATOR, MEGR-1222-BAF,MEC,COMPACT
MEGR-1222H-BGF	1545901	REGULATOR,MEGR-1222H-BGF,MEC,COMPACT
MEGR-1222H-BGFXB	1545903	REGULATOR,MEGR-1222H-BGFXB,MEC,COMPACT

Don't see what you're looking for? Give us a call and we can help!

Ray Murray, Inc. - 800-628-5044 - www.raymurray.com

RMI Item #	B2B Item #	Description
MEGR-1232-BBF	1544016	REGULATOR,MEGR-1232-BBF,MEC,COMPAC TWIN
MEGR-1232-BBFXA	1545908	REGULATOR,MEGR-1232-BBFXA,MEC,COMPACTWIN
MEGR-1232E-BBH	1545914	REGULATOR,MEGR-1232E-BBH,MEC,COMPACT
MEGR-1232E-HBH	1545915	REGULATOR,MEGR-1232E-HBH,MEC,COMPACT
MEGR-1232-HBF	1544017	REGULATOR, MEGR-1232-HBF, MEC, COMPACT
MEGR-1232-HBFXA	1545909	REGULATOR, MEGR-1232-HBFXA, MEC, COMPACT
MEGR-1289H/49	1544043	REGULATOR/RELEIF, MEGR-1289H/49, 1", 15-
MEGR-1622-BCF	1544018	REGULATOR, MEGR-1622-BCF, MEC, FULL SIZE
MEGR-1622-CFF	1544019	REGULATOR, MEGR-1622-CFF, MEC, FULL SIZE
MEGR-1622-DFD	1544020	REGULATOR, MEGR-1622-DFD, MEC, FULL SIZE
MEGR-1622E-BCH	1544021	REGULATOR, MEGR-1622E-BCH,MEC,FULL SIZE
MEGR-1622E-DCH	1544022	REGULATOR, MEGR-1622E-DCH, MEC,FULL SIZE
MEGR-1622H-BGJ	1544023	REGULATOR, MEGR-1622H-BGJ, MEC,FULL SIZE
MEGR-1622H-DGJ	1544037	REGULATOR, MEGR-1622H-DGJ, MEC,FULL SIZE
MEGR-1622H-HGJ	1544024	REGULATOR, MEGR-1622H-HGJ,MEC, FULL SIZE
MEGR-1622H-HGK	1545905	REGULATOR, MEGR-1622H-HGK,MEC, FULL SIZE
MEGR-1622H-JGJ	1544025	REGULATOR, MEGR-1622H-JGJ,MEC, FULL SIZE
MEGR-1622H-JGK	1545906	REGULATOR, MEGR-1622H-JGK,MEC, FULL SIZE
MEGR-1627M/471	1545446	REGULATOR, MEGR-1627M/471, MARSH EXCEL,
MEGR-1632-BCF	1544026	REGULATOR, MEGR-1632-BCF,MEC, FULL SIZE
MEGR-1632-BCFXA	1545910	REGULATOR, MEGR-1632-BCFXA,MEC, FULLSIZE
MEGR-1632-CFF	1544027	REGULATOR, MEGR-1632-CFF, MEC,FULL SIZE
MEGR-1632E-BCH	1545916	REGULATOR, MEGR-1632E-BCH, MEC, TWIN
MEGR-1632E-CFH	1545918	REGULATOR, MEGR-1632E-CFH, MEC, TWIN
MEGR-1632E-HCH	1545917	REGULATOR, MEGR-1632E-HCH, MEC, TWIN
MEGR-1632E-JFH	1545919	REGULATOR, MEGR-1632E-JFH, MEC, TWIN
MEGR-1632-HCF	1544028	REGULATOR, MEGR-1632-HCF, MEC,FULL SIZE
MEGR-1632-HCFXA	1545912	REGULATOR, MEGR-1632-HCFXA,MEC,FULL SIZE
MEGR-1632-JFF	1544029	REGULATOR, MEGR-1632-JFF, MEC,FULL SIZE
MEGR-1632-JFFXA	1545913	REGULATOR, MEGR-1632-JFFXA,MEC,FULL SIZE
MEGR-1642-DFD	1545907	REGULATOR, MEGR-1642-DFD, MEC, 2ND, FULL
MEGR-164SR/23	1545721	REGULATOR,MEGR-164SR/23,MEC,1/2"FNPT x 1
MEGR-1652-CFF	1544030	REGULATOR, MEGR-1652-CFF, MEC,FULL SIZE
MEGR-1652-DFD	1544032	REGULATOR, MEGR-1652-DFD, MEC,FULL SIZE
MEGR-1652E-DFH	1544033	REGULATOR, MEGR-1652E-DFH, MEC,FULL SIZE
MEGR-175CS61222-BAF	1544038	REGULATOR,MEGR-175CS61222-BAF,MEC
MEGR-175CS61622-BCF	1544036	REGULATOR, MEGR-175CS61622-BCF, MEC
MEGR-1HSRL-BFC	1544034	REGULATOR,MEGR-1HSRL-BFC,MEC,HOUSE SERV
MEGR-1HSRL-CFC	1544035	REGULATOR,MEGR-1HSRL-CFC,MEC,HOUSE SERV
MEGR-291	1544039	REGULATOR, MEGR-291, MARSHALL EXCELSIOR,
MEGR-6120-30	1545743	REGULATOR,MEGR-6120-30,MEC,0-30PSI - 1/4
MEGR-S1202G-BNC	1544040	REGULATOR, MEGR-S1202G-BNC, MEC, SECOND
MEH225	1540684	VALVE,MEH225,MARSHALL EXCEL, 1/4" MNPT
MEH225SS	1548598	VALVE,MEH225SS/400,MEC,STAINLESS STEEL,
MEH501-1.062	1546307	CAP, MEH501-1.062, MARSH EXCEL, VINYL,
MEH502	1546013	CAP, MEH502, MARSH EXCEL, RELIEF VALVE,
MEH503	1542720	CAP, MEH503, MARSH EXCEL, RELIEF VALVE,
MEJ400	1539877	GAUGE, ME-J400, MARSHALL EXCEL,
MEJ401	1540616	VENT VALVE, MEJ401,MEC,BLEEDER SCREW
MEJ402S	1543677	VALVE, MEJ402S, MEC, RELIEF-BLEEDER,
MEJ410-120	1540357	GAUGE, MEJ410-120, MARSHALL EXCEL,
MEJ410-5.7	1545737	GAUGE, MEJ410-5.7, MARSH EXCEL, FIXED
MEJ524	1547264	GAUGE, MEJ524, MARSH EXCEL, 2-1/2" DIAL,
MEJ602H	1548249	ELBOW,MEJ602H,MEC,1/4" W/ RELIEF & BLEED
MEJ603HP	1542161	KIT, MEJ603HP, MARSHALL EXCELSIOR,
MEJ701	1539780	THERMOMETER, MEJ701, MEC, 6" PROBE,
MEJ703	1543594	THERMOMETER,MEJ703,MEC,3" DIAL SS
MEP104-24	1543676	ADAPTER,MEP104-24,MEC,3" PIPE AWAY
MEP120B	1524141	WRENCH, MEP120B, SPANNER, F/2 1/4,
MEP122	1522101	WRENCH KIT, MEP122, QCC CYL,1-5/16
MEP126	1542885	WRENCH,MEP126,MEC,VALVE TANK REMOVAL
MEP128-6	1540531	COUPLING,MEP128-6, MARSH EXCEL
MEP175-45	1545738	ADAPTER, MEP175-45, MARSH EXCEL,45 ANGLE





RMI Item #	B2B Item #	Description
MEP175-90	1545740	ADAPTER, MEP175-90, MARSH EXCEL,90 ANGLE
MEP175C	1540044	CAP, MEP175C, MARSH EXCEL, RAIN
MEP175P	1544947	CAP, MEP175P, MARSH EXCEL, RELIEF VALVE
MEP200FIR	1545137	WRENCH,MEP200FIR,MEC,2"
MEP300FIR	1545138	WRENCH,MEP300FIR,MEC,3"
MEP-GMC1	1542923	COVER,MEP-GMC1,MEC,HOSE REEL,BLACK
MER401-48	1547901	ASSEMBLY,MER401-48,MEC,48"HOSE,POLX1/4
MER403-24	1541415	PIGTAIL,MER403-24,MEC,POL X 1/4 INV FL,
MER403-36	1546144	PIGTAIL,MER403-36,MEC,POL X 1/4 INV FL,
MER407-60	1542481	PIGTAIL,MER407-60, MARSH EXCEL, 1/4 INCH
MER408-144	1547711	THERMO PIGTAIL,MER408-144,MEC,9/16"-18 L
MER410-120	1544646	PIGTAIL, MER410-120, MARSH EXCEL, 1/4 IN
MER426-20	1542275	PIGTAIL,MER426-20,MEC,1/4" THERMO,
MER428-120	1538347	HOSE,MER428-120,MEC,1/4",GREEN,ACCESSORY
MER428-60	1537946	OUTLET BOX, 428-60, MARSH EXCEL
MER472	1546106	KIT,MER472,MEC,ADAPTER,FLOW LONGER
MER610-24	1542961	PIGTAIL,MER610-24,MEC, 3/8" ID,
MERCAPTAN-72L	1541927	STAIN TUBES, MERCAPTAN-72L, BOX OF 10,
MES-3250-8LH-KIT	1546116	KIT,MES-3250-8LH-KIT,MEC,BONNET,
MES-3329-13LH-KIT	1545857	KIT,MES-3329-13LH,MEC,BONNET
ME-SLT	1537561	LEAK TESTER, ME-SLT, SYSTEM
MES-PVE2030BC-11.6	1546028	VALVE, MES-PVE2030BC-11.6, MARSH EXCEL,
MES-PVE3250CLM-11.6	1548882	VALVE,MES-PVE3250CLM-11.6,MEC,LIQUID
MEV200FIR-09	1545139	CAP,MEV200FIR-09,MEC,2", RUBBER
MEV25/60	1543339	VALVE,MEV25/60,MEC,RELIEF,1/4"MNPT
MEV300FIR-09	1545140	CAP,MEV300FIR-09,MEC,3", RUBBER
MEV50/250	1546306	VALVE, MEV50/250, MARSH EXCEL, EXTERNAL
MEV75FIR	1539950	VALVE, MEV75FIR, MARSH EXCEL,
MEVS-UVE453AM/250	1546005	VALVE,MEVS-UVE-453AM-250,MEC,RELEIF
MEW1	1542947	KIT, MEW1,MEC,SERVICEMANS REPLACEMENT
MFL-52-PG	1219832	MANTEL, MFL-52-PG, EMPIRE, 52" PROFILE,
MG-17-HP	1539263	ANODE,17LB,GALVOTEC,HIGH POTENTIAL,MAGNE
MG-5-HP	1539265	ANODE, 5 LB, GALVOTEC, HIGH POTENTIAL
MG-9-HP	1539264	ANODE,9LB,GALVOTEC,HIGH POTENTIAL,MAGNES
MG-DR-1.0	1545570	ANODE,MG-DR-1.0, SPIKE DRIVE
MG-DR-CLAMP-2	1542676	CLAMP,MG-DR-CLAMP-2,PIPE, ADJ W/SCREW
MGS-30	1538826	GAUGE, MGS-30, PRESSUE, 1/8", 0-30LBS
MI-131	1520028	KIT, MI-131, SERVICEMAN-ORIFICE
MINI-1	1512451	VALVE, MINI-1, PNEUMATIC AIR
MM50-2	1541635	TAPE,MM50-2,SCOTCH WRAP,2 X 1000
MM50-4	1540744	TAPE,MM50-4,SCOTCHRAP, 4" X 100FT
MODEL 68	1543853	ELECTRODE,MODEL 68,HALF CELL REFERENCE
MPT-365-1/2	1541175	VALVE,MPT-365-1/2,MARWIN,3 WAY BRASS
MT-PUMP-2	1523505	STAND, MT-PUMP-2, TANK MT SUPPORT,
MT-TANK-2	1523504	STAND, MT-TANK-2, TANK MT SUPPORT,
MW-2001	1512899	WHEEL, MW2001, HAND TRUCK
MWCXXX	1534135	CHOCK BLOCK, MWC, MEDIUM SIZE
N201	1505493	VALVE, N201, FISHER, AUTO CYLINDER FILLI
N301-04	1505496	VALVE, N301-04, FISHER, GLOBE,1/2 NPT
N301-08	1505498	VALVE, N301-08, FISHER, GLOBE, 1 NPT
N310-10	1505528	VALVE, N310-10, FISHER, GLOBE, 1 1/4 NPT
N310-12	1505529	VALVE, N310-12, FISHER, GLOBE, 1 1/2 NPT
N310-16	1505530	VALVE, N310-16, FISHER, GLOBE, 2 NPT
N401-04	1505533	VALVE, N401-04, FISHER, ANGLE, 1/2 NPT
N401-06	1505534	VALVE, N401-06, FISHER, ANGLE, 3/4 NPT
N401-08	1505535	VALVE, N401-08, FISHER, ANGLE, 1 NPT
N410-10	1505536	VALVE, N410-10, FISHER, ANGLE, 1 1/4 NPT
N410-16	1505538	VALVE, N410-16, FISHER, ANGLE, 2 NPT
N450-06	1505542	VALVE, N450-06, FISHER, ANGLE, ECONOMY,
N551-10	1545726	VALVE, N551-10, FISHER,EMERGENCY SHUTOFF
N551-16	1545511	VALVE, N551-16, FISHER,EMERGENCY SHUTOFF
N562-26	1526340	VALVE, N562-26, FISHER, EMERGENCY
N5B-0750-S-VL0375	1549577	REGULATOR,N5B-0750-S-VL0375,NORGAS,

Don't see what you're looking for? Give us a call and we can help!

Ray Murray, Inc. - 800-628-5044 - www.raymurray.com

RMI Item #	B2B Item #	Description
NDV215-SGX	1221757	FURNACE,DV-215-SGX, EMPIRE,NAT GAS, NG
NDV25-SG	1212547	FURNACE, NDV-25-SG, EMPIRE,NATURAL GAS
NDV35-SG	1205894	FURNACE, DV-35-SG-NG, EMPIRE, N
NDVC35-IPX	1206086	FURNACE, NDVC35-IP, EMPIRE,NAT GAS
NDVC55-SPPX	1221794	HEATER,DVC55-SPPX,EMPIRE,NAT GAS,DV
NFAW40-SPPX	1221566	FURNACE, NFAW-40-SPPX,EMPIRE,NAT GAS
NMF20BK	1526033	VALVE, NMF20BK, NEEDLE
NORSEMAN 200 PLUS	1211712	HEATER, NORSEMAN 200 PLUS ,LB WHITE, LP
NORSEMAN 250	1207804	HEATER, NORSEMAN250, LB WHITE, CONVECTIO
NRH-25	1205610	HEATER, RH-25-NG, EMPIRE, 25,000 BTU
NRH-35	1206028	HEATER, RH-35, EMPIRE, NG, CONS
NRH-50B	1206083	HEATER, NRH-50B, EMPIRE, NG, VISUAL FLAM
NRH-50C	1215144	HEATER, NRH-50C, EMPIRE,NAT GAS,CLOSED F
NRH-50CB	1215048	HEATER, NRH-50CB, EMPIRE, NAT GAS, CLOSE
NRH-65B	1206030	HEATER, NRH-65B, EMPIRE, NG, VENTED
NT-3	1534414	TAPE, NT-3, NON-METALLIC, LOCATOR, ROLL
O-110	1502966	O-RING,,110, POL, FOR POL NIPPLE
O-114	1515757	O-RING, O-114, REPAIR, 1-1/4",
O-210	1544664	ORINGS, O-210, ACME 1-1/4" BUNA-N,
OLX30WR	1221623	LOG SET,OLX30WR,EMPIRE,30",OUTDOOR,WILD
ONI30P	1221622	BURNER,ONI30P,EMPIRE,30",OUTDOOR,HARMONY
ONR30P	1221714	BURNER,ONR30P,EMPIRE,30",MILLIVOLT ON/OF
OP42FB2MF	1221621	FIREBOX, OP-42-FB2MF, EMPIRE,42"OUTDOOR
P-054177	1547435	STYLUS,P-054177,CARBIDE TIPPED,CHICAGO P
P100A	1505551	BRACKET, P100A, FISHER, TRIANGULAR, FOR
P134	1505583	LINK, P134, FISHER, FUSIBLE, (212 DGS F)
P145	1505587	CAP, P145, PROTECTIVE, F/H185, H275, 180
P164B	1505592	RELEASE, P164B, FISHER, CABLE, FOR N550,
P174	1505594	ADAPTOR, P174, FISHER, PIPEAWAY, 1/2 NPT
P205	1504619	CAP, P205, FISHER, PROTECTIVE, FOR H349
P206	1504620	CAP, P206, FISHER, PROTECTIVE, FOR 'H'
P297	1504625	CAP, P297, FISHER, PROTECTIVE, FOR H721
P298	1504626	CAP, P298, FISHER, PROTECTIVE, FOR H731
P323	1504672	DIAL, P323, FISHER, ROTARY GAUGE,
P327D	1504677	CYLINDER, P327D, FISHER, AIR, FOR N551
P340	1539854	LATCH, P340, FISHER, REMOTE RELEASE FOR
P341	1504681	LATCH, P341, FISHER, REMOTE RELEASE
P389	1504683	KIT, P389, FISHER, CYLINDER ACTUATOR
P500	1537677	PLUG, MALE, P500, MARSH EXCEL, 1/4 I.F.
P539A	1542633	CYLINDER,P539,FISHER,PNEUMATIC
P551	1523809	SPRING, P551, FISHER, EXTERNAL CLOSING
P551A	1505688	KIT, P551A, FISHER, RETROFIT CLOSURE
P623	1546546	ACTUATOR,P623,FISHER,PNEUMATIC,
P639A	1548514	AIR ACTUATOR,P639A,FISHER,BRAKE CHAMBER
P650	1504752	ASSEMBLY, P650, FISHER,CABLE CONTROL,
PA5133M	1534154	ADAPTOR, ME455, MARSHALL EXCELSIOR
PB04	1540254	SEALER, PB-04, JOHN CRANE, W/O LEAD 1/4
PB16	1507920	SEALER, PB-16, JOHN CRANE, 1 PT
PC50016	1548356	END-CAP,PC50016,1/2"CTS X 3/4"CTS,PERFEC
PC50026	1548217	CAP, PC50026,PERFECTION, 3/4 IPS
PC50030	1548137	COUPLING,PC50030,PERFECTION, 3/4 IPS
PC50033	1549516	END-CAP, PC50033, PERFECTION, 1 1/4" IPS
PC50035010	1548179	COUPLING,PC50035010,PERFECTION,1 1/4"IPS
PC50056	1548139	COUPLING,PC50056,PERFECTION,1/2" CTS
PC50100	1548146	COUPLING, PC50100, PERFECTION,1/2"CTS,
PC50103	1548298	COUPLING,PC50103, PERFECTION, 1"CTS
PC50149	1549142	COUPLING,PC50149, PERFECTION, REDUCER,
PC50175	1548143	COUPLING,PC50175,PERFECTION,3/4"IPS
PC50195010	1548357	COUPLING,PC50195010,PERFECTION,REDUCING
PC50199	1548140	TEE, PC50199,PERFECTION, 1/2CTS
PC50314	1548180	COUPLING,PC50314,PERFECTION, 2" IPS
PC50315	1548209	ELBOW,PC50315,PE, 2" IPS,PERFECTION
PC50316	1548252	TEE, PC50316, PERFECTION,2"IPS 3 WAY

Don't see what you're looking for? Give us a call and we can help!

Ray Murray, Inc. - 800-628-5044 - www.raymurray.com



RMI Item #	B2B Item #	Description
PC50317	1548210	END-CAP,PC50317, PERFECTION, 2"IPS
PC50325010	1548284	ELBOW, PC50325010, 1 1/4" IPS,PERFECTION
PC50327010	1548283	TEE,PC50327010, PERFECTION, 1 1/4" IPS,
PC50343010	1548205	COUPLING,PC50343010,PERFECTION,1-1/4"x1"
PC50451	1549517	TEE, PC50451, PERFECTION, REDUCING,
PC50461	1548216	TEE, PC50461,PERFECTION,
PC50601	1548144	COUPLING,PC50601,PERFECTION,1 IPS,
PC50612	1548218	CAP, PC50612,1" IPS, PERFECTION, BLIND
PC50632	1548206	TEE,PC50632,PERFECTION,1IPSX1/2CTS,
PC50634	1548145	TEE, PC50634, PERFECTION,1 IPS,3-WAY,
PC50635	1548287	TEE, PC50635, PERFECTION, 1"x1"x3/4"IPS
PC50636	1548159	ELBOW,PC50636,PERFECTION,1" IPS,2.0
PC50641	1548970	COUPLING,PC50641,PERFECTION,1/2CTSx1"IPS
PC50701	1548148	COUPLING, PC50701A,PERFECTION,1/2 IPS,
PC50716	1548211	CAP,PC50716,PERFECTION,1/2 IPS
PC50730100	1548279	TEE, PC50730100, PERMASERT,3 WAY,1/2IPS
PC50732100	1548207	ELBOW,PC50732100,PERFECTION,1/2 IPS
PC50740	1548579	COUPLING,PC50740,PERFECTION, 1/2" IPS RE
PC50751	1549261	COUPLING,PC50751,PERFECTION,1/2CTSx1/2IPS
PC50756	1548597	COUPLING,PC50756,PERFECTION,REDUCING
PC50929	1548141	TEE, PC50929, PERFECTION, 3/4 IPS, 3-WAY
PC50969	1548181	COUPLING, PC50969,PERFECTION,1/2"CTS, R
PC51325	1548580	TEE,PC51325,PERFECTION,1 1/4X1 1/4X 3,
PC51432	1548348	COUPLING,PC51432,PERFECTION,1"X 3/4"IPS
PC51620	1548142	ELBOWS, PC51620,PERFECTION, 3/4 IPS,
PC530-1	1513020	KIT, PC-530-1, VALVE, PNEUMATIC
PC531	1539522	KIT, PC531, MANUAL RELEASE,
PE20	1540238	EMBERS, PE-20, EMPIRE, PLATINUM
PE2406-100	1506713	PIPE, PE, 1" IPS, ORDER IN 500 FT
PE2406-100-150	1548909	PIPE, PE, 1" IPS, ORDER IN 150 FT
PE2406-100CTS	1506848	PIPE, PE, 1" CTS, ORDER IN 500 FT QTY
PE2406-114	1506714	PIPE,PE,1 1/4"IPS, 500 FT ROLL, 170LBS,
PE2406-12	1506711	PIPE, PE, 1/2" IPS,ORDER IN 500FT QTYS
PE2406-12CTS	1506847	PIPE, PE, 1/2"CTS, ORDER IN 500 FT QTY
PE2406-200	1506933	PIPE, PE2406-200, PERFECTION, 2"IPS POLY
PE2406-200-250	1506905	PIPE, PLASTIC, 2"IPS, 250 FT COIL
PE2406-34	1506712	PIPE, PE, 3/4" IPS,ORDER IN 500FT QTYS
PE2406-34-250	1534471	PIPE, PE, 3/4" IPS,ORDER IN 250FT QTYS
PF-11B	1523508	KIT, PF-11B, FOR PUMP STATION CABT INSTL
PF-D2	1534635	KIT, PF-D2, FITTING, FOR A D-2 CABINET
PG75901	1548134	RISER, PG75901, PERFECTION,
PG75906	1548214	RISER,PG75906,PERFECTION,2"IPS,ANODELESS
PG77120	1548289	RISER, PG77120, PERFECTION,
PG78442	1548277	RISERS,PG78442,PERFECTION, 1"X1"IPS,
PG79354	1548291	RISER,PG79354,3/4 X 3/4IPS,PERFECTION
PI-539	1545217	TOOL, PI-539, PRE-TRIP INSPECTION
PK-11	1523507	KIT, PK-11, FOR PUMP STATION CABT INSTL
PKB-C1012	1505283	BREAK-AWAY, PKB-C1012, CORKEN,
PK-D2	1534634	KIT, PK-D2, VALVING, FOR A D-2 CABINET
PKF-C1012	1539021	KIT, PKF-C1012, CORKEN, FITTING
PKV-125	1512531	KIT, PKV-125, BLACKMERE,VALVE,
PKV-C1012	1504952	KIT, PKV-C1012, CORKEN, REPAIR
PL55702	1548474	TEE, PL55702, PERFECTION ,2"SELF TAPPING
PL55901	1548581	TEE, PL55901, PERFECTION, PERMALOCK
PM77181	1548136	RISER,PM77181,PERFECTION,3/4"IPSX1/2"CTS
PM77195	1549047	RISER,PM77195,PERFECTION,3/4IPSX1/2CTS
PM77201	1548208	RISER,PM77201,PERFECTION,3/4IPS X 1/2 CT
PM77205	1548183	RISER,PM77205,PERFECTION,1/2 MPTX1/2CTS
PM77253	1548347	RISER, 30",PM77253, PERFECTION, 1/2CTS,
PREMIER 170	1219759	HEATER, PREMIER 170-LP, LB WHITE,
PREMIER 80	1208958	HEATER,PREMIER 80 , LB WHITE,TENT,LP
PRO-CHEM-5	1547972	COATING,PRO-CHEM-5,PROCHEMATIC BLK,5GAL
PS41002	1548219	COUPLING, PS41002,PERFECTION,

Don't see what you're looking for? Give us a call and we can help!

Ray Murray, Inc. - 800-628-5044 - www.raymurray.com

RMI Item #	B2B Item #	Description
PS41007	1548251	COUPLING,PC41007, 1/2" CTS X 3/8"OD,
PS41013	1548138	COUPLING,PS41013,PERF,1/2CTSx1/2OD,
PT-3/4	1537573	PLUG, PT-3/4, THREAD, 3/4"
PTK-5	1539408	KIT, PTK-5,PRESSURE TEST W/5LB GAUGE
PURGE-1	1515712	PURGE SYSTEM,PURGE-1,POL X POL
PURGE-2	1540239	KIT, PURGE-2, ECONOMY PURGE KIT
PURGE-3	1544886	KIT,PURGE-3, PURGE, 3 WAY VALVE
PV30SOPD	1544586	VALVE, OPD30, GRAND HALL, 4.7 INCH DIP
PV45100	1548582	VALVE,PV45100, PERFECTION, SHUTOFF, 3/4"
PWLD-20	1541177	GUARD,PWLD-20,SCUFF GAURD,PROWRAP
PWLD-32	1545502	GUARD,PWLD-32,SCUFF GAURD,PROWRAP
Q313A1188	1546962	THERMOPILE,Q313A1188,HONEYWELL,750 mV
R-1089	1539943	ORIFICE, R-1089, EMPIRE, PILOT
R-1156	1537560	SWITCH, R1156, EMPIRE, FAN
R122H-AAJ	1528309	REGULATOR, R122H-AAJ, FISHER,1 STAGE
R-12796	1549093	BURNER, R-12796, EMPIRE, PILOT BURNER
R-1633-1/8"	1541297	FERRULE,R-1663-1/8",BREAKAWAY 1/4 X 1/8
R-1941	1510761	SWITCH, R-1941, EMPIRE, FAN
R-1948	1510463	VALVE, R1948, EMPIRE, CONTROL
R-2223	1521412	PILOT, R-2223, LP, EMPIRE FOR DV-232
R222-BAF	1534412	REGULATOR, R222-BAF, FISHER,
R-2324	1525451	KNOB, R2324, EMPIRE,
R232A-BBF	1541843	REGULATOR, R232A-BBF, FISHER,COMPACT
R232A-BBFXA	1542103	REGULATOR, R232A-BBFXA, FISHER,2ND STAGE
R232A-HBF	1542323	REGULATOR, R232A-HBF, FISHER, INTERGRAL
R232A-HBFXA	1542366	REGULATOR, R232A-HBFXA, FISHER,2ND STAGE
R232E-BBH	1542385	REGULATOR, R232E-BBH, FISHER, 2 PSI
R232E-HBH	1541898	REGULATOR, R232E-HBH, FISHER, 2 PSI
R-2351	1537627	VALVE, R-2351, EMPIRE, GAS
R-2372	1537291	THERMOCOUPLE, R2372, EMPIRE
R-2523	1535087	MOTOR, R-2523, EMPIRE, INDUCER
R-2573	1542970	MOTOR, R-2573, EMPIRE, BLOWER,
R-2703	1539695	VALVE, R-2703, EMPIRE, LP
R-2706	1523540	SWITCH, R2706, EMPIRE
R-2972	1542171	FERRULES, R-2972, BREAKAWAY, 1/4 X 1/4
R-3473	1525175	THERMOCOUPLE, R-3473, EMPIRE
R-3623	1526377	KIT, R3623, EMPIRE, PILOT
R-5170	1545409	PILOT ASSEMBLY,R5170,EMPIRE
R-5601	1538872	VALVE, R-5601, EMPIRE, GAS
R-5626	1546627	REGISTER,R-5626,EMPIRE,ALL "70" FLOOR FUR
R-5655	1524702	VALVE, R-5655, EMPIRE, LP
R-5797	1534337	REMOTE, R5797, VARIABLE TRANSMITTER
R-619	1540326	MOTOR, R-619, EMPIRE, SINGLE SPEED
R622-BCF	1526679	REGULATOR, R622-BCF,FISHER, 1/2 X 1/2
R622-CFF	1526683	REGULATOR, R622-CFF, FISHER, 1/2 X 3/4
R622-CFFXA	1526685	REGULATOR, R622-CFFXA, FISHER, 1/2 X 3/4
R622-CFFXB	1533587	REGULATOR, R622-CFFXB, FISHER, 2ND STAGE
R622-DFE	1526687	REGULATOR,R622-DFE,FISHER, 2ND STAGE,
R622E-BCH	1526688	REGULATOR, R622E-BCH, FISHER, 2PSI, 1/2"
R622E-DCH	1526689	REGULATOR, R622E-DCH, FISHER, 3/4" INLET
R622H-BGJ	1526690	REGULATOR, R622H-BGJ, FISHER, 1-STAGE,
R622H-BGK	1526691	REGULATOR, R622H-BGK, FISHER, 1/2 X 1/2
R622H-DGJ	1526692	REGULATOR, R622H-DGJ, FISHER, 1-STAGE,
R622H-HGJ	1526693	REGULATOR, R622H-HGJ, FISHER, POL X 1/2
R622H-HGK	1533591	REGULATOR, R622H-HGK, FISHER, 1ST STAGE
R622H-JGJ	1526694	REGULATOR, R622H-JGJ, FISHER,10 PSI,
R622H-JGK	1526695	REGULATOR, R622H-JGK, FISHER
R-622L	1537366	ASSEMBLY, R-622L,EMPIRE,PILOT W/ORIFICE,
R-630	1541824	SWITCH, R-630, ENPIRE, LIMIT
R-6308	1538455	PILOT, R6308, EMPIRE, ASSY FOR SR18T,
R-6310	1537361	PILOT, R-6310, EMPIRE, THERMOCOUPLE
R632A-BCF	1541904	REGULATOR,R632A-BCF,FISHER,1/4FNPT INLET
R632A-BCFXA	1542071	REGULATOR, R632A-BCFXA, FISHER,TWO STAGE

RMI Item #	B2B Item #	Description
R632A-CFF	1541905	REGULATOR,R632A-CFF,FISHER,1/4FNPT INLET
R632A-CFFXA	1548417	REGULATOR,R632A-CFFXA,FISHER,1/4"INLET
R632A-HCF	1541984	REGULATOR,R632A-HCF,FISHER,INTREGRAL
R632A-JFF	1541863	REGULATOR,R632A-JFF,FISHER,POL X 3/4 NPT
R632E-BCH	1544703	REGULATOR,R632E-BCH,FISHER,2PSI 2-STAGE
R632E-HCH	1544338	REGULATOR,R632E-HCH,FISHER,2PSI,RESIDENT
R632E-JFH	1541985	REGULATOR,R632E-JFH,FISHER,2 PSI
R642-DFE	1534258	REGULATOR, R642-DFE, FISHER,
R652-CFF	1533595	REGULATOR, R652-CFF, FISHER, 2ND STAGE
R652-DFE	1526697	REGULATOR,R652-DFE,FISHER,2ND STAGE
R652E-DFH	1533596	REGULATOR, R652E-DFH, FISHER, 2 PSI
R-685	1538636	THERMOCOUPLE, R-685, EMPIRE,
R-6989	1546820	SWITCH,R-6989,EMPIRE,DV HI-EFF WALL FUR
R-715L	1542535	PILOT,R-715L,WITH THERMOPILE
R-775L	1539659	BURNER, R775L, LP PILOT WITH OFFICE
R8110-515	1540662	SPRING, R8110-515, MAXITROL,
R-8117	1537234	SWITCH, R8117, EMPIRE, LOW TEMP FAN
R-8140	1544498	BOARD,R-8140, EMPIRE,CONTROL,
R-854	1510773	IGNITOR, 732021, EMPIRE, R-854
R-942	1537943	THERMOPILE, R-942, EMPIRE,
R-9760	1548548	IGNITOR,R-9760,EMPIRE FOR VFD26FP30NT-2
R-9802	1538682	VALVE, R-9802, EMPIRE, GAS,
RAD-8	1508969	RADIANTS, RAD-8,EMPIRE, FOR RH-50-1,
RC40016T012	1544173	KIT,RC40016T012,FISHER,REPAIR,VALVE
RC40710T042	1549014	KIT,RC40710T042,FISHER,REBUILD
RCBXXX	1526431	REMOTE, RCB, AMBIENT, ON/OFF
RDC-36	1508738	RESTRAINER, RDC-36", DORMONT
RDC-48	1508739	RESTRAINER, RDC-48", DORMONT
RDC-60	1508740	RESTRAINER, RDC-60", DORMONT
RE180EP	1221924	HEATER,RE180eP,RINNAI,LP,TANKLESS,CONC
RE180IP	1221926	HEATER,RE180iP,RINNAI,LP,TANKLESS,CONC
REB-4-3	1544243	REGULATOR, REB-4-3,WESTERN,LIGHT DUTY
REB-7-3	1537657	REGULATOR, REB-7-3, WESTERN, HIGH
RH-25	1204582	HEATER, RH-25, EMPIRE, LP, 25,0
RH-35	1204550	HEATER, RH-35, EMPIRE, LP, CONS
RH-425	1508968	PAD, RH-425, EMPIRE, FLOOR, 36" X 21"
RH-50B	1204551	HEATER, RH-50B, EMPIRE, LP, 50,
RH-50C	1213164	HEATER, RH-50C, EMPIRE, CLOSED FRONT
RH-50CB	1213166	HEATER, RH-50CB, EMPIRE, CLOSED FRONT
RH-65B	1204552	HEATER, RH-65B, EMPIRE, LP, 65,
RH-65C	1213165	HEATER, RH-65C, EMPIRE, CLOSED FRONT
RH-65CB	1213167	HEATER, RH-65CB, EMPIRE, CLOSED FRONT
RH-691	1545089	EXCHANGER,RH-691,EMPIRE, HEAT,
RHFE-FOT102	1509237	KIT, FOT-102, RINNAI,EXTENSION,FOR ES3
RHFE-FOT103	1509238	KIT, FOT-103, RINNAI,FOR ES38,EXTENSION
RHFE-FOT114	1509239	KIT,FOT-114, RINNAI, FOR ES38, EXTENSIO
RHFE-FOT115	1509236	KIT,FOT-115,RINNAI, FOR ES38,EXTENSION
RHFE-FOT150-S	1509626	VENT, FOT-150S, RINNAI, ALL DV MODELS
RHFE-FOT151-A	1509627	KIT, FOT-151-A, RINNAI, FOR 431FA,556
RHFE-FOT152-B	1509628	KIT, FOT-152B, RINNAI,ALL DV MODELS
RHFE-FOT153-C	1509686	KIT, FOT-153C,RINNAI, ALL DV MODELS
RHFE-FOT154-D	1509687	KIT, RHFE-FOT-154D, RINNAI,ALL DV MODELS
RHFE-FOT155	1509688	VENT, FOT-155, RINNAI, EX11C, EXTENSION
RHFE-FOT156	1535372	RINNAI FOT-156, VENT EXTENTION
RHFE-FOT157	1535373	RINNAI FOT157, VENT EXT.
RHFE-FOT158	1509732	KIT, FOT-158, RINNAI, ELBOW, PIPE STOPPE
RHFE-FOT201	1541164	KIT, RHFE-FOT201, RINNAI, EXTENSION,
RHFE-FOT219	1539508	KIT, FOT-219, RINNAI, VENT EXTENSION
RHFE-FOT220	1540674	KIT, FOT-220, RINNAI, VENT EXTENSION
RHFE-FOT221	1539510	KIT, FOT-221,RINNAI, VENT EXT, 60 TO 80"
RHL-2	1538419	KIT, RHL-2, EMPIRE, LOG,
RL94IN	1220184	HEATER, RL94I NAT GAS, RINNAI,INTERNAL
RL94IP	1219997	HEATER, RL94I LP, RINNAI, INTERNAL TWH

RMI Item #	B2B Item #	Description
RM-20	1544097	REAMER, RM-20, FIVE CORNER
RM-30	1544098	REAMER, RM-30, FIVE CORNER
RM-90	1538577	REAMER, RM-90, #90 REAMER
RMH-80	1544420	REAMER, RMH-80, #80 PILOT WITH HANDLE
RMH-90	1538578	REAMER, RMH-90, INDIVIDUAL REPLACEMENT
RN30012T012	1543213	KIT, RN30012T012, FISHER, REPAIR
RN30016T012	1543214	KIT, RN30016T012, FISHER, REPAIR
ROK-1	1509579	KIT, ROK-1, EMPIRE, 10" REAR OUTLET, FOR
RP-750	1505680	ASSEMBLY, RP-750, REGULATOR, PREFAB
RPM-MB-750	1512489	ASSEMBLY, RPM-MB-750, REGULATOR
RPM-MB-750A	1537548	ASSEMBLY, RPM-MB-750A, REGULATOR
RV47L-1/2	1524350	REGULATOR, RV47L-1/2 LP, MAXITROL
RV47L-3/8	1545874	REGULATOR, RV47L-3/8 LP, MAXITROL
RV48L-1/2	1524682	REGULATOR, RV48L-1/2, MAXITROL, LP,
RV48L-3/4	1524351	REGULATOR, MAXRV48L-3/4 LP, MAXITROL,
RV52-1/2	1540634	REGULATOR, RV52L-1/2, MAXITROL, LP,
RV52-3/4	1545291	REGULATOR, RV52L-3/4, MAXITROL, LP,
RV53-1	1545292	REGULATOR, RV53-1, MAXITROL, LP
RV53-3/4	1535841	REGULATOR, RV53-3/4, MAXITROL, LP
RV91-2	1540023	REGULATOR, RV91-2, MAXITROL,
RVKP	1546996	REMOTE, RVKP, EMPIRE, VARIABLE FLAME
S-501	1537574	COLLAR, S-501, CYLINDER, 100 LB
S502K-C-COLOR	1545124	KEY, S502K-C-COLOR, LOCKAMERICA
S533G-LLVC-A0	1540553	CAP, S533G-LLVC-A0, LOCKAMERICA
SB-325	1549709	BARRIER, SB-325, SHOVEL BARRIER, 325', TRACER
SC336BL	1540292	SURROUND, SC33-6-BL, EMPIRE, CAST IRON
SC356BL	1540098	SURROUND, SC35-6-BL, EMPIRE, CAST IRON
SCV1	1534245	CONTROL, SCV-1, EMPIRE, VARIABLE SPEED
SH1BL	1544238	SHROUD, SH1BL, EMPIRE, INNSBROOK
SHEARS	1506903	CUTTER, SHEARS, 1/2"-1 1/4" PLASTIC PIPE
SHEARS-2	1524307	SHEARS, SHEARS-2, 1/2"-2" PLASTIC PIPE
SK-09E/316	1545014	STAMP, SK-09E/316, 3/16" DIES, 0-9 AND E
SK1001	1538858	REMOTE, 1001, SKYTECH, BASIC, ON AND OFF
SK1001TH-A	1538719	REMOTE, 1001TH-A, SKYTECH, LCD ON/OFF, TH
SK1001TLCD	1526044	REMOTE, SKY1001TLCD, SKYTEC
SK3002	1542777	REMOTE, SK-3002, SKYTEC
SK3301	1526812	REMOTE, 3301, SKYTECH, ON/OFF THERMOSTAT
SKY-MRCK	1526396	REMOTE, SKYMRCK, SKYTECH, CONTROL
SMAC-112	1504836	SWIVEL, SMAC-112, SMITH, 1 1/2", 90
SMAC-190LN	1541028	SWIVEL, SMAC-190LN, 1", SMITH TECH,
SMAC-200	1538905	SWIVEL, SMAC-200, FULL CIRCLE, 2" STRAIGHT
SR-10TW	1221827	HEATER, SR10TW, EMPIRE, LP, INFRARED,
SR-18TW	1221774	HEATER, SR-18TW, EMPIRE, LP, INFRARED, VF
SR-18W	1221814	HEATER, SR18WLP, EMPIRE, LP, MANUAL 3 HEAT
SR-30TW	1221815	HEATER, SR30TW, EMPIRE, LP, HYDRAULIC
SR-30W	1221803	HEATER, SR30WLP, EMPIRE, 30KBTU, MANUA, WHT
SRB-18TW	1548838	BLOWER, SRB18TW, EMPIRE, AUTOMATIC FOR
SRB-30TW	1548839	BLOWER, SRB30TW, EMPIRE, AUTOMATIC FOR
SRB-30W	1549106	BLOWER, SRB-30W, EMPIRE, FOR SR-30
SRS-30W	1548841	STAND, SRS30W, EMPIRE, FLOOR INSTALLATIO
SS04	1525046	SEALANT, SS04, GASOLIA, SOFT SET 1/4 PT
SS08	1518782	SEAL, SS-08, GASOLIA, 1/2 PT SOFT SET
SS16	1523595	SEALER, SS16, GASOLIA, TEFLON, 1 PINT,
SS25UL-10	1517328	HOSE, SS25UL-10, 1/2", MOTOR FUEL
SS25UL-6	1517593	HOSE, SS25UL-6, HI-PRESS FUEL LINE, UL,
SSP300	1534691	SHIELD, SSP300-3FT, PROTECTIVE, COPPER
SSP400	1547874	SHIELDS, SSP400, COPPER TUBING, 4', PROTECT
SVC100	1540735	VALVE, SVC100, QUICK ACTION, 1"
SVC200	1546605	VALVE, SVC200, SWING CHECK, 2"
SWIVELSET-425	1548167	REPLACEMENT PART, SWIVELSET-425, FOR AL425
T10971000A2	1533501	CAP, T10971000A2, REPLACEMENT VENT
T-10B	1537721	THERMOMETER, T-10B, TANK CAR
T13090T0012	1543145	KIT, T13090T0012, FISHER, REBUILD, SNAPPY JO

RMI Item #	B2B Item #	Description
T13098T0012	1537939	GASKET, T13098T0012, BLACK, FOR M570
T13103T0012	1538965	WASHER, T13103T0012, FOR M570
T13184T0012	1505731	KIT, T13184T0012, FISHER, REPAIR
T13428T0012	1545839	LEVER, T13428T0012, FISHER, FOR C407-10
T13500T0012	1544556	LINK, T13500T0012, FISHER, FUSE ASSEMBLY
T20377000A2	1544155	BONNET ASSEMBLY, T20377000A2, FISHER,
T20430000A2	1548559	GLAND ASSY, T20430000A2, FISHER, C400 3"
T20714T0012	1538933	HANDLE, T20714T0012, FISHER, FOR N550
TF-100X100	1506902	FITTING, TF-100X100, TRANSITION
TF-114X114	1507032	TRANSITION, TF-114X114, PERFECTION,
TF-12X12	1517174	FITTING, TF-12X12, PERMASERT, TRANSITION
TF-12X12CTS	1539385	FITTING, TF-12X12CTS, PERMASERT, TRANS
TF-200X200	1540799	TRANSITION, TF-200X200, PERFECTION,
TF-300X300	1518439	FITTING, TF-300X300, 3" TRANSITION
TF-34X100CTS	1538150	FITTING, TF-34X100 CTS, TRANSITION
TF-34X12	1546634	TRANSITION, 700401, 3/4" MX1/2" IPS, TF-34X12
TF-34X12CTS	1534472	TRANSITION, TF34x12CTS, PERF 700205, 18"
TF-34X34	1507006	FITTING, TF-34X34, TRANSITION, 700802,
TH-100	1524910	PLATE, TH100, WALL MOUNT, EMPIRE
TH-123	1521270	KIT, TH-123, EMPIRE, VENT FOR DV-210
TH-134	1547722	PILOT DOOR AND GASKET, TH-134, EMPIRE
TH-345	1521306	TUBE, TH-345, EMPIRE, EXTRA LONG VENT,
TH-346	1521307	TUBE, TH-346, EMPIRE, EXTRA LONG VENT,
TK-35WC	1537727	KIT, TK-35WC, WC TEST,
TL-051	1515521	ADAPTOR, TL-051, TEST, SERVICEMANS FRIEND
TMV	1527660	THERMOSTAT, TMV, EMPIRE, WALL
TRA-100X100	1545295	RISER, TRA-100X100, ANODELESS, 30 X 24
TRA-100X100CTS	1545294	RISER, TRA-100X100CTS, ANODELESS, 30 X 24
TRA-114X114	1540798	RISER, TRA-114X114, 1 1/4 IPS, FUSION
TRA-200X200	1507104	RISER, TRA-200X200, 2" IPS, FUSION
TRA-300X300	1507096	TRANSITION, TRA300X300, 3" 90 DEGREE
TRA-34X12	1507889	RISER, TRA-34X12, PERFECTION, 79036
TRA-34X34	1507071	RISER, TRA-3/4X3/4, PERFECTION, 79353,
TRADESMAN 170	1221423	HEATER, TRADESMAN 170LP, LB WHITE, LP
TRADESMAN 170 ULTRA	1221061	HEATER, TRADESMAN 170 ULTRA, LB WHITE LP
TRADESMAN 170N	1221422	HEATER, TRADESMAN 170N, LB WHITE NAT GAS
TRADESMAN 170N ULTRA	1221421	HEATER, TRADESMAN 170N, ULTRA, LB WHITE, NG
TRADESMAN 400	1208972	HEATER, TRADESMAN 400, LB WHITE, AIR,
TRADESMAN 400 ULTRA	1208966	HEATER, TRADESMAN 400+ "ULTRA", LB WHITE
TRW	1533095	THERMOSTAT, TRW, EMPIRE, WIRELESS REMOTE
TS/R-2	1547512	THERMOSTAT, TS/R-2, SKYTEC, WIRELESS, WALL
TSR050	1544875	CLIP, TSR050, 1/2 CTS, TRACER SPACER
TSR100	1544876	CLIP, TSR100, 3/4 AND 1" IPS, TRACER SPACER
TSR125	1544877	CLIP, TSR125, 1 1/4" IPS, TRACER SPACER
TSR200	1544878	CLIP, TSR200, 2" IPS, TRACER SPACER
TT33	1533496	TAPE, TT33, TEFLON
TT41	1543641	TAPE, TT41, TEFLON, 1/2" X 520" HIGH DENSITY
UMB-525-H	1537344	BRACKET, UMB-525-H, METER KIT, 5 1/2" X 8
UMB-525-H114	1502009	BRACKET, UMB-525-H114, FOR METER
UMB-525-N200	1548430	BRACKET, UMB-525-N200, 2-1/2", U BOLT
V21130	1544589	VALVE, V21130, OPD, 10 LB, STEEL CYL,
V50CB12EC	1538051	STRAP, V50CB12EC, INTERNAL VAN, 12'
V50CB12EC-3	1521908	STRAP, V50CB12EC-3, INTERNAL VAN, 12'L.,
VA1-VALVE	1542999	VALVE, VA1-VALVE, PRESSURE, 1/8 MNPT
VAC-FILL	1541719	ADAPTER, VAC-FILL, GAS KIT, FILL, FOR
VB1-VALVE	1540642	VALVE, VB-1, PRESSURE
VBF36TBL	1545420	FRAME, VBF-36-TBL, EMPIRE, OUTER
VBP32SA	1538184	LINER, VBP-32-SA, EMPIRE, BRICK AGED
VBP36D2A	1545436	LINER, VBP36D2A, EMPIRE, 36" AGED BRICK PREM
VBP36SA	1540791	LINER, VBP-36-SA, EMPIRE,
VBP36T2H	1547474	LINER, VBP36T2H, EMPIRE, HERRINGBONE BRICK,
VBP42SA	1545117	LINER, VBP-42-SA, EMPIRE, AGED BRICK
VBP42T2G	1546882	LINER, VBP-42-T2G, EMPIRE, LIMESTONE,

RMI Item #	B2B Item #	Description
VBP48LSS	1548622	LINER,VBP48LSS,EMPIRE,STAINLESS STL,LB48
VBR42-GCBL	1539913	DOORS, VBR-42-GCBL, EMPIRE, DECORATIVE
VBS32SBL	1542719	FRAME, VBS-32SBL, EMPIRE
VBS36SBL	1541471	FRAME,VBS-36-SBL,EMPIRE,BLACK
VBS42SBL	1545627	FRAME,VBS-42-SBL,EMPIRE,BRECKENRIDGE,VF
VBY36TBL	1545419	DOOR,VBY-36-TBL,EMPIRE,DECORATIVE
VBY42-GBL	1539914	FRAME, VBY-42-GBL, EMPIRE, BLACK
VENT-1	1524059	VENT, VENT-1, UPSCO
VENT-3/4	1528250	VENT, VENT-3/4, UPSCO, 3/4 FNPT
VFD20CC30BP	1221443	STOVE,VFD-20-CC30B,EMPIRE,LP,BLACK,MILLI
VFD20CC30FP	1221425	STOVE,VFD20CC30F,EMPIRE,LP,CAST IRON
VFD20CC30MP	1221214	STOVE,VFD-20-CC30M,EMPIRE,LP,HERITAGE
VFD26FM30CN	1220739	FIREPLACE, VFD-26-FM30-CN, EMPIRE,NG,VF
VFD26FM30CP	1219600	FIREPLACE, VFD26FM30CP, EMPIRE, VAIL
VFD26FM30WP	1219799	FIREPLACE, VFD26-FM30-WP, EMPIRE, LP
VFD-26-FP20LN	1221475	FIREPLACE, VFD-26FP20LN, EMPIRE,VAIL,NG
VFD26FP30LP	1219463	FIREPLACE,VFD-26FP30LP, EMPIRE, LP, VAIL
VFD26FP70LN	1220212	INSERT,VFD26FP70LN,EMPIRE, NG,Vail 26"
VFD26FP70LP	1221716	FIREPLACE,VFD26FP70LP,EMPIRE,VAIL,26 VF
VFD30CC30BP	1220284	STOVE,VFD-30-CC30B-LP,EMPIRE,HERITAGE
VFD30CC30FN	1221731	STOVE,VFD-30-CC30FN,EMPIRE,HERITAGE,NG
VFD30CC30FP	1220274	STOVE,VFD-30-CC30F-LP,EMPIRE,HERITAGE
VFD30CC30MP	1221215	STOVE,VFD-30-CC30MP,EMPIRE,HERITAGE,LP
VFD32FB2MF	1221317	FIREBOX,VFD-32-FB2MF,EMPIRE,32IN,DLX VF
VFD32FBOF	1219225	FIREBOX, VFD-32-FBOF, EMPIRE, BRECKENRID
VFD32FBOL	1219697	FIREBOX, VFD32-FBOL, EMPIRE, BRECKINGRI
VFD36FB2MF	1221781	FIREBOX,VFD-36FB2MF,EMPIRE,36IN,FLUSH FA
VFD36FBOL	1219579	FIREBOX, VFD-36-FBOL, EMPIRE, BRECKINRID
VFD-42-FB2ML	1221440	FIREBOX,VFD-42-FBML,EMPIRE,BRECKENRIDGE
VFD42FBOF	1221839	FIREBOX, VFD42-FBOF, EMPIRE, BRECKINGRI
VFD42FBOL	1221233	FIREPLACE,VFD-42FBOL,EMPIRE,42IN,BRECKIN
VFDM18LBN	1221800	LOG, VFDM-18-LB,EMPIRE,NATGAS,FLINT HILL
VFDM18LBP	1219630	LOG, VFDM-18-LB, EMPIRE, LP, FLINT HILL
VFDM24LBP	1219427	LOG, VFDM-24-LB, EMPIRE, LP, FLINT HILL
VFDM30LBP	1219418	LOG, VFDM-30-LB, EMPIRE, LP
VFDR18LB10N	1221461	LOG,VFDR-18-LB-10N,EMPIRE, FLINT HILL,NG
VFDR18LB10P	1221470	LOG,VFDR-18-LB-10P,EMPIRE,FLINT HILL,LP
VFDR18LBP	1219450	LOG, VFDR-18-LBP, EMPIRE, FLINT HILL
VFDR-18-LBW-10P	1221190	LOG AND BURNER,SPECIALORDER,VFDR-18LBW10
VFDR18LBWP	1219704	LOG, VFDR-18-LBW, EMPIRE,LP, WHISKEY RIV
VFDR24LBN	1221072	LOGS, VFDR-24-LBN, EMPIRE,FLINT HILL
VFDR24LBP	1219541	LOG, VFDR-24-LB, EMPIRE, LP, FLINT HILL
VFDR24LBWP	1220065	LOG, VFDR-24-LBW, EMPIRE,LP, WHISKEY RIV
VFDR30LBP	1219601	LOG, VFDR-30LB, EMPIRE,LP, FLINT HILL
VFDR30LBWP	1221555	LOG SET,VFDR-30LBW,EMPIRE,LP,WHISKEY
VFDT-18-LBP	1220072	LOG, VFDT-18LBP, EMPIRE. FLINT HILL,
VFDT-18-LBWP	1221530	LOG,VFDT-18LBW,EMPIRE,LP,WHISKEY RIVER
VFDT-24-LBP	1219698	LOG, VFDT-24LBP, EMPIRE. FLINT HILL,
VFDT-30-LBP	1220683	LOGS, VFDT-30LB, EMPIRE, FLINT HILL
VFDT-30-LBWP	1221532	LOG,VFDT-30-LBWP,EMPIRE,LP,WHISKEY RIVER
VFF24HP	1548443	FRAME,VFF-24-HP,EMPIRE,24",HAMMER PWTR
VFLB36FP30P	1221954	FIREPLACE,VFLB36FP30P,EMPIRE,LP,BOULEVAR
VFLB48FP90P	1221777	FIREPLACE,VFLB48FP90P,EMPIRE,LP,BOULEVAR
VFP-24-FP20LN	1219903	FIREPLACE, VFP-24-FP20L, EMPIRE, LP,
VFP24FP30LP	1219703	FIREPLACE, VFP-24FP30L, EMPIRE,LP,VAIL
VFP36FBOL	1221432	FIREBOX,VFP36FBOL,EMPIRE,PREMIUM,36IN,
VFP36PB2EF	1221660	FIREPLACE,VFP36PB2EF,EMPIRE,VENT FREE,
VFP36PP32EP	1219900	FIREPLACE, VFP-36-PP32E,EMPIRE,LP,
VFP36SP32EP	1220956	FIREBOX, VFP-36SP32EP, EMPIRE, 36"
VFP42FBOL	1220128	FIREBOX,VFP42FBOL,EMPIRE,BRECKENRIDGE
VFPA32BP30LP	1221853	FIREPLACE,VFPA32BP30LP,EMPIRE,VAIL 32
VFPC28IN33P	1221780	FIREPLACE,VFPC28IN33P,EMPIRE,LP,WHT MTN
VFR32SMBL	1540095	DOOR, VFR-32-SMBL, EMPIRE, MISSION ARCH





RMI Item #	B2B Item #	Description
VFR36SMBL	1219355	DOOR, VFR-36-SMBL, EMPIRE, MISSION ARCH,
VFRL24P	1220137	BURNER, VFRL-24, EMPIRE, LP, LOFT SERIES
VFS32FBOF	1221240	FIREBOX, VFS-32-FBOF, EMPIRE, 32", SELECT,
VFS36FBOF	1221649	FIREPLACE, VFS36FBOF, EMPIRE, 36" BRECKENRID
VFS42FBOF	1219975	FIREBOX, VFS-42-FBOF, EMPIRE, BRECKINRI
VFSE18P	1220208	BURNER, VFSE-18, EMPIRE, SLOPE, 18",
VFSE24N	1221444	BURNER, VFSE-24N, EMPIRE, SLOPEGLAZE, NG
VFSE24P	1220078	BURNER, VFSE-24, EMPIRE, LP, SLOPE GLAZE
VFSE30P	1220229	BURNER, VFSE-30, EMPIRE, LP, SLOPE GLAZE
VFSM18P	1214886	BURNER, VFSM-18LP, EMPIRE, MANUAL SLOPE
VFSM24P	1214904	BURNER, VFSM-24, EMPIRE, LP, SLOPE GLZ
VFSM30P	1214888	BURNER, VFSM-30LP, EMPIRE, MANUAL SLOPE
VFSR16N	1212789	BURNER, VFSR-16N, EMPIRE, NATURAL GAS
VFSR16P	1214890	BURNER, VFSR-16, EMPIRE, LP, SLOPE GLZ
VFSR18N	1214651	BURNER, NVFSR-18, EMPIRE, NAT GAS,
VFSR18P	1214632	BURNER, VFSR-18, EMPIRE, LP, SLOPE GLZ
VFSR24N	1214652	BURNER, NVFSR-24, EMPIRE, NAT GAS
VFSR24P	1214647	BURNER, VFSR-24, EMPIRE, LP, VENT FREE
VFSR30N	1214653	BURNER, NVFSR-30, EMPIRE, NAT GAS
VFSR30P	1214496	BURNER, VFSR-30, EMPIRE, LP, SLOPE GLAZE
VFSUE18P	1221318	BURNER, VFSUE-18P, EMPIRE, 18IN, SLP GLAZE
VFSUE24P	1221292	BURNER, VFSUE-24, EMPIRE, 24", SLP GLAZE
VFSUR18P	1219529	BURNER, VFSUR-18, EMPIRE, LP, VISTA
VFSUR24P	1219562	BURNER, VFSUR-24, EMPIRE, LP,
VFSUR30P	1219520	BURNER, VFSUR-30, EMPIRE, LP,
VFSV16P	1215116	BURNER, VFSV-16, EMPIRE, LP, SLOPE GLAZE
VFSV18N	1215015	BURNER, NVFSV-18, EMPIRE, NG, SLOPE W/REMOTE
VFSV18P	1214635	BURNER, VFSV-18, EMPIRE, SLOPE W/REMOTE
VFSV24N	1215016	BURNER, NVFSV-24, EMPIRE, NG, W/REMOTE
VFSV24P	1214618	BURNER, VFSV-24, EMPIRE, VENT FREE, W/REMOTE
VFSV30N	1216197	BURNER, NVFSV-30, EMPIRE, NAT GAS,
VFSV30P	1214654	BURNER, VFSV-30, EMPIRE, LP, SLOPE
VFY32SBL	1535869	FRAME, VFY-32-SBL, EMPIRE, BLACK
VP-2F	1546747	VENT, VP-2F-1, TJERNDLUND, WATER HEATER KIT
VPP1A22	1525392	LINER, VPP1A-22, EMPIRE, AGED BRICK
VPP32A	1537356	LINER, VPP32A, EMPIRE, AGE BRICK
VSR-18P	1215211	BURNER, VSR-18, EMPIRE, VENTED SLOPE, LP
VSR-30	1215531	BURNER, VSR-30, EMPIRE, LP, VENTED
W-2XXX	1537670	O-RING, MSW-2, 1 3/4" ACME
W-4XXX	1515756	GASKET, W-4, REPAIR, WASHER 1-1/4 ACME,
W-6XXX	1515638	WASHER, MSW6, FLAT, FILLER VALVE, 3 1/4"
WORKMAN 100N PLUS	1211706	HEATER, WORKMAN 100N PLUS, LB WHITE, N/G
WORKMAN 225 PLUS	1211707	HEATER, WORKMAN 225 PLUS, LB WHITE, LP
WP120	1544134	BOTTLE, WP120, 8 OZ, LEAD DETECTOR
XE0120	1522004	RELIGHTER, XE0120, ELECTRIC PILOT,
XS-52C	1512307	SWITCH, XS-52C, BLAND ELECTRICAL, SINGLE
Y602-5	1504863	ASSEMBLY, Y602-5, FISHER, ANGLE VENT,
Y602-7	1504865	ASSEMBLY, Y602-7, FISHER, ANGLE VENT,
Y602-8	1504866	ASSEMBLY, Y602-8, FISHER, Y602-7 W/STABI
Y602-9	1504867	ASSEMBLY, Y602-9, FISHER, ANGLE VENT,
Y70AA-2C	1544100	GREASE, Y70AA-2C, GAS VALVE
Z1310	1537789	GLOVES, Z1310, LEATHER PALM, WORK
Z6-413	1544276	EXTENDER, Z6413, MATCH