

2025 PRICE LIST ELECTRIC FIREPLACES

Amantii

SIERRA FLAME



MARCH 1



TRU-VIEW-SLIM-LUMINA-50inch-ICE MEDIA

TABLE OF CONTENTS

PAGE	DESCRIPTION
2 - 3	Table of Contents
4	Fire Glass Media
5	Glass Media & Decorative Options, Log Sets, Touch-Up Paint
6- 7	Fireplace Guide *New
8 - 9	Fireplace Guide *New
10-11	Fireplace Guide *New
12-13	Fire & Ice Classic Edition *New
14-15	Fire & Ice Evolution Linear *New
16-17	Contemporary Pedestal Display
18-19	Signature 38: Tech Specs, Prices & Media Kits *New
20-21	Traditional TRD Bespoke Smart 33, 38, 44, 48: Tech Specs, Prices & Media Kits *Update
22-23	Traditional TRD LUMINA 26, 33, 38, 44, 48: Tech Specs, Prices & Media Kits *New
24-25	Arch Trim & Square Trim *New
26-27	Traditional TRD Xtraslim Smart 26, 30, 33: Tech Specs & Prices
28-29	ZECL Zero Clearance 31-3228-STL: Tech Specs & Prices
30-31	Symmetry Extra Tall Bespoke SYM-XT-Bespoke 50, 74, 88, 100: Prices & Media Kits *Update
32-33	Symmetry Bespoke SYM-Bespoke 34, 40, 60, 72, 88, 100 : Prices & Media Kits *Update
34-35	Symmetry Smart Extra Tall: SYM-XT 34, 42, 50, 60, 74, 88, 100: Tech Specs, Prices & Media Kits
36-37	Symmetry LUMINA: SYM 34, 42, 50, 60, 72, 88, 100: Prices *New
38-39	Symmetry Xtraslim Smart -SYM SLIM 50, 60: Prices *Update
40-41	Symmetry Xtraslim -SYM SLIM 45, 50, 55, 60, 65: Prices *New
42-43	Cube 2025WM Lumina Freestanding Fireplace w/Optional Speaker or Leg Base: Tech Specs & Prices *Update
44-45	Sierra Flame FS-LUMINA Freestanding
46-47	Lynwood E50, E70 Freestanding Cast Iron Electric Stoves: Tech Specs & Prices
48-49	Lynwood W76 Freestanding Cast Iron Wood Stove: Tech Specs & Prices
50-51	Insert TRD Bespoke 30, 33, 38, 3 & 4-Sided Surrounds: Tech Specs, Prices & Media Kits
52-53	Insert TRD Lumina 26, 30, 33, 38, 3 & 4-Sided Surrounds: Tech Specs & Prices

Continued on next page

TABLE OF CONTENTS



Continued from previous page

PAGE	DESCRIPTION
54-55	Sierra Flame Insert INS-FM-30, 34 W/Steel Surround: Tech Specs & Prices
56-57	Tru-View Bespoke 45, 55, 65, 75, 85: Prices
58-59	Tru-View Bespoke Tech Specs and Combination of Sizes for conjoining *New
60-61	Tru-View Slim Smart TRV-Slim 30, 40, 50, 60, 72: Prices *Update
62-63	Tru-View Slim Lumina TRV-Slim 30, 40, 50, 60, 72: Prices *New
64-65	Tru-View XL Deep Smart TRV-View XL 40, 50, 60, 72: Tech Specs, Prices & Media Kits
66-67	Tru-View XL Deep Extra Tall Smart TRV-XT-XL 40, 50, 60, 72, 88: Prices & Media Kits *Update
68-69	Tru-View XL Deep Extra Tall LUMINA TRV-XT-XL 40, 50, 60, 72, 88: Prices & Media Kits *New
70-71	Tru-View Cube 2025WM Lumina, and Leg Base: Tech Specs & Prices *New
72-73	Panorama Xtra Slim Smart Series BI-Xtraslim 30, 40, 50, 60: Prices *Update
74-75	Panorama Xtra Slim Smart Series Surronds 30, 40, 50, 60: Tech Specs
76-77	Panorama Xtra Slim Lumina Series BI-Xtraslim 30, 40, 50, 60: Prices *New
78-79	Panorama Smart Slim BI-Slim-OD 40, 50, 60, 72, 88: Prices
80-81	Panorama LUMINA Slim BI-Slim-OD 40, 50, 60, 72, 88: Prices *New
82-83	Panorama Deep BI-Deep-OD 40, 50, 60, 72, 88: Prices
84-85	Panorama Deep LUMINA BI-Deep-OD 40, 50, 60, 72, 88: Prices *New
86-87	Panorama Deep Extra Tall Smart BI-Deep-XT 40, 50, 60, 72, 88: Prices & Media Kits
88-89	Panorama Deep Extra Tall LUMINA BI-Deep-XT 40, 50, 60, 72, 88: Prices & Media Kits *New
90-91	Wall Mount/Flush Mount W/Glass Surround Smart WM-FM-BG 34, 48, 50, 60, 72, 88: Specs & Prices *Update
92-93	Wall Mount/Flush Mount W/Steel Surround Smart WM-FML-Steel 26, 34, 48, 60, 72, 88: Specs & Prices
94-95	WM-BI-2428 VLR BG-LUMINA: Tech Spec & Prices *New



FIRE GLASS MEDIA

PART NUMBER	DESCRIPTION	2025 MSRP
AMSF-GLASS-01	1/4" Clear Reflective Fireglass - 5lbs	\$119.00
AMSF-GLASS-02	1/2" Light Brown Reflective Fireglass - 5lbs	\$119.00
AMSF-GLASS-03	1/2" Charcoal Reflective Fireglass - 5lbs	\$119.00
AMSF-GLASS-04	1/2" Champagne Reflective Fireglass - 5lbs	\$119.00
AMSF-GLASS-05	1/2" Dark Grey Reflective Fireglass - 5lbs	\$119.00
AMSF-GLASS-06	1" Clear Gem Fireglass - 5lbs	\$119.00
AMSF-GLASS-07	White Frosted Fireglass - 5lbs	\$119.00
AMSF-GLASS-08	Dusty Purple Frosted Fireglass - 5lbs	\$119.00
AMSF-GLASS-09	Amber Small Beads Fireglass - 5lbs	\$119.00
AMSF-GLASS-10	Orange Small Beads Fireglass - 5lbs	\$119.00
AMSF-GLASS-11	Suntea Small Beads Fireglass - 5lbs	\$119.00
AMSF-GLASS-12	Black Small Beads Fireglass - 5lbs	\$119.00
AMSF-GLASS-13	Sable Large Beads Fireglass - 5lbs	\$119.00
AMSF-GLASS-14	Smokey Grey & White Fireglass - 5lbs	\$119.00
AMSF-GLASS-15	Canyon Brown Fireglass - 5lbs	\$119.00
AMSF-GLASS-16	Ocean Blue Fireglass - 5lbs	\$119.00

PAINT

PART NUMBER	DESCRIPTION	2025 MSRP
1A62H290-6309	STOVE BRITE - Metallic Black Touch Up Paint- Metallic Black Color	\$49.00
1A62H290-1990	STOVE BRITE - Satin Black Touch Up Paint- Satin Black Color	\$49.00

GLASS MEDIA & DECORATIVE OPTIONS



PART NUMBER	DESCRIPTION	2025 MSRP
HZ-12-Ember	Ember Media Kit Includes: clear, suntea, & harvest moon color media	\$159.00
Fi-105-Diamond	Kit Includes: 1 large glass nugget, 2 mini clear glass nuggets, 95 clear & 10 blue acrylic nuggets	\$159.00
Fi-106-Diamond	Kit Includes: 3 extra large glass rocks	\$249.00
Fi-107-Diamond	Kit Includes: 6 glass nuggets	\$249.00
Fi-109-Diamond	Ice Media Kit Includes: 3 large glass rocks, 95 clear diamond media, 10 blue diamond media and a package of clear acrylic media	\$249.00

LOG SETS

PART NUMBER	DESCRIPTION	2025 MSRP
DESIGN-MEDIA-6PCE	DRIFTWOOD - 6 Piece Deluxe Media Kit Includes: 6 logs, stones, pebbles & embers	\$369.00
DESIGN-MEDIA-14PCE	RUSTIC - 14 Piece Deluxe Media Kit Includes: 14 logs, stones, pebbles & embers	\$699.00
DESIGN-MEDIA-15PCE	DRIFTWOOD - 15 Piece Deluxe Media Kit Includes: 15 logs, stones, pebbles & embers	\$699.00
DESIGN-MEDIA-BIRCH-15PCE	BIRCH - 15 Piece Deluxe Media Kit Includes: 15 logs, stones, pebbles & embers	\$699.00
DESIGN-MEDIA-BIRCH-12PCE-LARGE	BIRCH - 12 large logs. Recommended for TRD 38", 44", 48", Tru View XL, Tru View XT-XL, Panorama -BI Deep XT, SYM XT	\$699.00
DESIGN-MEDIA-SPLITLOG-16PCE	SPLIT LOG - 16 Piece Deluxe Media Kit Includes: 16 logs, stones, pebbles & embers	\$799.00
DESIGN-MEDIA-OAK-18PCE	OAK - 18 Piece Deluxe Media Kit Includes: 18 logs, stones, pebbles & embers	\$799.00
LOGSET-8PCE-XS	8 Piece Natural Wood log set (for use in electric fireplaces only)	\$149.00
LOGSET-10PCE-BIRCH	10 Piece Log Set Includes: 7 Piece Birch logs, 3 Piece Glowing Logs (for use in electric fireplaces only)	\$299.00
DESIGN-MEDIA-OAK-10PCE *New	OAK - 10 Piece Media Kit Includes: 10 logs, 2 colors of real fireglass, 2 colors of vermiculite (for use in electric fireplaces only)	\$299.00
DESIGN-MEDIA-OAK-14PCE-XS *New	OAK - 14 Piece Media Kit Includes: 14 small Oak logs, 2 colors of vermiculite	\$229.00
DESIGN-MEDIA-OAK-12PCE-MD *New	OAK - 12 Piece Media Kit Includes: 12 medium Oak logs, 2 colors of vermiculite	\$299.00
DESIGN-MEDIA-OAK-12PCE-LG *New	OAK - 12 Piece Media Kit Includes: 12 large Oak logs, 2 colors of vermiculite	\$399.00

FIREPLACES GUIDE

Symmetry					
Model:	SYM-XS	SYM-LUMINA	SYM-XT	SYM-BESPOKE	SYM-XT-BESPOKE
Warranty	2 Years	2 Years	2 Years	5 Years	5 Years
Height	15 3/8"	15 5/8"	20 1/8"	15 5/8"	20 1/8"
Depth	4 1/8"	6 1/8"	11 3/4"	6 1/8"	11 3/4"
3 Speed Motor	√	√	√	√	√
Choice of Media	X	X	√	√	√
Max BTU for Heat Output	5000BTU	5000BTU	10,000BTU*	5000BTU	10,000BTU*
Wifi	√	√	√	√	√
Bluetooth	X	X	X	√	√
Speaker	X	X	X	√	√
Included Media Kit	√	√	√	√	√
Remote Control	√	√	√	√	√
Retail Price					
34"	X	\$1699	\$2,499	\$2,199	X
42"	\$1499	\$1899	\$2,899	\$2,399	X
50"	\$1699	\$2,099	\$3,599	\$2,699	\$3,999
60"	\$1799	\$2,299	\$3,999	\$2,999	\$4,699
74"	X	\$2,699	\$4,399	\$3,399	\$4,899
88"	X	\$3,099	\$4,699	\$3,799	\$5,499
100"	X	TBD	\$4,999	\$4,199	\$5,899

TruView Series					
Model:	CUBE 2025WM LUMINA	TRU VIEW SLIM	TRU-VIEW-XL	TRU-VIEW XT XL	TRU-VIEW BESPOKE
Warranty	2 Years	2 Years	2 Years	2 Years	5 Years
Height	25"	26 5/8"	26 5/8"	33"	29 3/8"
Depth	11 3/4"	10 5/8"	14 1/4"	13 3/4"	15"
3 Speed Motor	√	√	√	√	√
Choice of Media	X	X	√	√	√
Wifi	√	√	√	√	√
Bluetooth	X	X	X	X	√
Speaker	X	X	X	X	√
Included Media Kit	√	√	√	√	√
Max BTU for Heat Output*	5000BTU	5000BTU	10,000BTU*	10,000BTU*	10,000BTU*
Remote Control	√	√	√	√	√
Interconnectable Units	X	X	X	X	√
Retail Price					
20"x25"	\$1799	X	X	X	X
30"	X	\$2,499	X	X	X
40"	X	\$2,699	\$2,999	\$3,499	X
45"	X	X	X	X	\$3,699
50"	X	\$2,799	\$3,599	\$3,899	X
55"	X	X	X	X	\$4,099
60"	X	\$3,099	\$3,999	\$4,399	X
65"	X	X	X	X	\$4,699
72"	X	\$3,899	\$4,399	\$4,699	X
75"	X	X	X	X	\$4,899
85"	X	X	X	X	\$5,299
88"	X	X	X	\$4,999	X

FIREPLACES GUIDE

TRD Series			
Model:	TRD EXTRA SLIM	TRD LUMINA	TRD BESPOKE
Warranty	2 Years	2 Years	5 Years
Height	16 ¾"	"26" - 16 ¾" 30" - 19 1/8" 33" - 22 ¼" 38" - 27 ¼" 44" - 31 5/8" 48" - 41 1/8"	"30" - 19 1/8" 33" - 22 ¼" 38" - 27 ¼" 44" - 31 5/8" 48" - 41 1/8"
Depth	4 1/8"	"26" - 11 3/8" 30" - 11 3/8" 33" - 11 3/8" 38" - 12 3/8" 44" - 13 ¾" 48" - 13 ¾"	"30" - 11 3/8" 33" - 11 3/8" 38" - 12 3/8" 44" - 13 ¾" 48" - 13 ¾"
3 or 4 Sided Trim kit Required	X	√	X
3 Speed Motor	√	√	√
Choice of Media	X	X	√
Wifi	√	√	√
Max BTU for Heat Output	5000BTU	5000BTU	5000BTU
Bluetooth	X	X	√
Speaker	X	X	√
Included media kit	√	√	√
Remote Control	√	√	√
Retail Price			
26"	\$1499	\$1,499.00	X
30"	\$1699	\$1,799.00	\$2699
33"	\$1899	\$1,999.00	\$2999
38"	X	\$2,399.00	\$3399
44"	X	\$2,899.00	\$3799
48"	X	\$3,499.00	\$4399

PANORAMA				
Model:	BI-XS	BI-SLIM	BI-DEEP	BI-DEEP-XT
Warranty	2 Years	2 Years	2 Years	2 Years
Height	19 7/8"	23 5/8"	23 5/8"	29 1/2"
Depth	4"	6 3/4"	12"	12 5/8"
3 Speed Motor	√	√	√	√
Choice of Media	X	X	X	X
Included Media kit	√	√	√	√
Wifi	√	√	√	√
Bluetooth	X	X	X	X
Max BTU for Heat Output	5000BTU	5000BTU	5000BTU	10,000BTU*
Speaker	X	X	X	X
Control	√	√	√	√
Retail Price				
30"	\$1399	X	X	X
40"	\$1699	\$1999	\$2899	\$3199
50"	\$1999	\$2299	\$3399	\$3599
60"	\$2299	\$2499	\$3799	\$4199
72"	X	\$2899	\$4199	\$4499
88"	X	\$3399	\$4499	\$4899

FIREPLACES GUIDE

FREESTANDING	CUBE 2025WM Lumina	FS26922 Lumina	Lynwood Cast Iron E-50	Lynwood Cast Iron E-70	Lynwood W-76 Wood-Burning Stove
Warranty	2 Years	2 Years	2 Years	2 Years	2 Years
Height	25"	28"	28 ¼"	28 ¼"	29 ½"
Depth	11 ¾"	17 ½"	17 ½"	17 ½"	19 1/8"
3 Speed Motor	√	√	√	√	√
Choice of Media	X	X	X	X	√
Wifi	√	√	√	√	√
Outdoor Approved	√	X	X	X	X
Bluetooth	X	X	X	X	X
Speaker	X	X	X	X	X
Included Media Kit	√	√	√	√	√
Max BTU for Heat Output*	5000BTU	5000BTU	5000BTU	5000BTU	"13784 to 57674 BTU/hr"
Remote Control	√	√	√	√	√
Required Clearance Shield	X	X	X	X	√
Retail Price	\$1799	\$1699	\$1999	\$2399	"\$4395 Clearance Shield \$299"

INSERTS				
	INS-FM-30	INS-FM-34	TRD LUMINA INSERT	TRD BESPOKE INSERT
Warranty	2 Years	2 Years	2 Years	5 Years
Height	19"	23 1/8"	16 3/4" - 41 1/8"	19 1/8" - 41 1/8"
Depth	8 1/2"	8 1/2'	11 3/8" - 13 3/4"	11 3/8" - 13 3/4"
3 or 4 Sided Trim kit Required	X	X	√	√
3 Speed Motor	√	√	√	√
Choice of Media	X	X	X	√
Wifi	X	X	√	√
Outdoor Approved	X	X	√	√
Max BTU for Heat Output	5000BTU	5000BTU	5000BTU	5000BTU
Bluetooth	X	X	X	√
Speaker	X	X	X	√
Included media kit	√	√	√	√
Remote Control	√	√	√	√
Retail Price				
26"	X	X	\$1,499.00 +(3sided Trim kit - \$299 or 4 sided -\$399)	X
30"	\$2199	X	\$1,799.00 +(3sided Trim kit - \$299 or 4 sided -\$399)	\$2699+(3sided Trim kit - \$299 or 4 sided -\$399)
33"	X	X	\$1,999.00 +(3sided Trim kit - \$299 or 4 sided -\$399)	\$2999+(3sided Trim kit - \$299 or 4 sided -\$399)
34"	X	\$2399	X	X
38"	X	X	\$2,399.00 +(3sided Trim kit - \$299 or 4 sided -\$399)	\$3399+(3sided Trim kit - \$299 or 4 sided -\$399)
44"	X	X	X	X
48"	X	X	X	X



CE30

TECH SPECIFICATIONS

CLASSIC26
51.2 cm x 60.9 cm x 20.8 cm
20" x 24" x 8"

CLASSIC30
59.4 cm x 74.9 cm x 20.8 cm
23" x 29.50" x 8"

CLASSIC33
66.5 cm x 87.0 cm x 23.9 cm
26" x 34.2" x 8"



FEATURES



- This fireplace delivers realistic flames that replicates natural fire.
- It comes complete with tempered front glass, a plug kit for easy installation, and a mood-maker remote control for added convenience.
- With a powerful fan-forced heater, it efficiently warms spaces up to 500 square feet, ensuring cozy comfort whenever needed.
- Handcrafted and molded from real wood logs, the included logs feature inner lit LED lights, creating a captivating pulsating effect that mimics the glow of burning embers.
- WiFi App – For complete control from any room. Set the fireplace to turn on before arriving home, or have it turn on automatically when the weather is cold.
- The flame color has the capability to transition through a spectrum of 15 distinct hues



PART NUMBER	DESCRIPTION	2025 MSRP
CE26	Classic Edition 26" WiFi Enabled Insert Electric Fireplace, Featuring Customizable Flame Speeds, Brightness, and Colors. Complete with Log and Grey Brick, plus a Fixed Trim included	\$899.00
CE30	Classic Edition 30" WiFi Enabled Insert Electric Fireplace, Featuring Customizable Flame Speeds, Brightness, and Colors. Complete with Log and Grey Brick, plus a Fixed Trim included	\$1,099.00
CE33	Classic Edition 33" WiFi Enabled Insert Electric Fireplace, Featuring Customizable Flame Speeds, Brightness, and Colors. Complete with Log and Grey Brick, plus a Fixed Trim included	\$1,399.00



EVO4220

TECH SPECIFICATIONS

EVO3620
 49.2 x 91.5 x 13.1 cm
 19 1/2" x 36" x 5 1/8"

EVO4220
 49.2 x 106.7 x 13.1 cm
 19 1/2" x 42" x 5 1/8"

EVO5020
 49.2 x 127 x 13.1 cm
 19 1/2" x 50" x 5 1/8"

EVO6020
 49.2 x 152.4 x 13.2 cm
 19 1/2" x 60" x 5 1/8"



EVO5020

FEATURES



- Remote Control Convenience: Take control of your fireplace from any room
- Easy Installation: Designed for hassle-free installation
- Ready to use straight out of the box—simply hang it on the wall and plug it into a standard 120V outlet.
- Efficiently heat large rooms up to 400 square feet with the powerful 5000 BTU and 1500 Watt output of this unit.
- The black, nearly frameless design of this modern linear electric fireplace creates a minimalist look that complements your décor while enhancing the visual appeal of the flames.
- The controls are user-friendly, illuminating when needed and dimming when not in use. This design ensures complete control with out the illuminated buttons detracting from the fireplace’s overall appearance while you relax.
- Enjoy this fireplace any time of day with high-intensity LED lights in both the flames and ember bed, ensuring a captivating view regardless of the surrounding light conditions.
- No need to get up—you can operate this fireplace from the comfort of your favorite spot using the included full-feature remote control



PART NUMBER	DESCRIPTION	2025 MSRP
EVO3620	Evolution 36" WiFi Enabled Wall Mounted Electric Fireplace, Featuring Customizable Flame Speeds, Brightness, and Colors. Comes with Clear Glass Media and Full Functions Remote	\$899.00
EVO4220	Evolution 42" WiFi Enabled Wall Mounted Electric Fireplace, Featuring Customizable Flame Speeds, Brightness, and Colors. Comes with Clear Glass Media and Full Functions Remote	\$999.00
EVO5020	Evolution 50" WiFi Enabled Wall Mounted Electric Fireplace, Featuring Customizable Flame Speeds, Brightness, and Colors. Comes with Clear Glass Media and Full Functions Remote	\$1,199.00
EVO6020	Evolution 60" WiFi Enabled Wall Mounted Electric Fireplace, Featuring Customizable Flame Speeds, Brightness, and Colors. Comes with Clear Glass Media and Full Functions Remote	\$1,399.00

SYM-50-XT-BLK-PDS 18PCE Oak



Make your space complete with the Contemporary Pedestal Display, which offers flexibility and simplicity in styling, allowing your space to include the luxury of a fireplace



SYM-50-XT-BLK-PDS 14PCE Split

The installation of an electric fireplace in your showroom using a Contemporary Pedestal Display is extremely simple. Requires no remodeling. Simply assemble the pedestal and storage, insert the fireplace, and plug it into a standard outlet. Because installation of these displays does not require any remodeling, structure modification, or permanent wiring, these displays can be easily moved around in your showroom.

Easy Installation, everything you need comes in the box.

FEATURES

- Sleek European design
- Quick and easy assembly.
- Allows you to install/display fireplace anywhere in your room
- Transforms the fireplace into a freestanding unit
- Can be easily moved to another room
- Realistic log display area

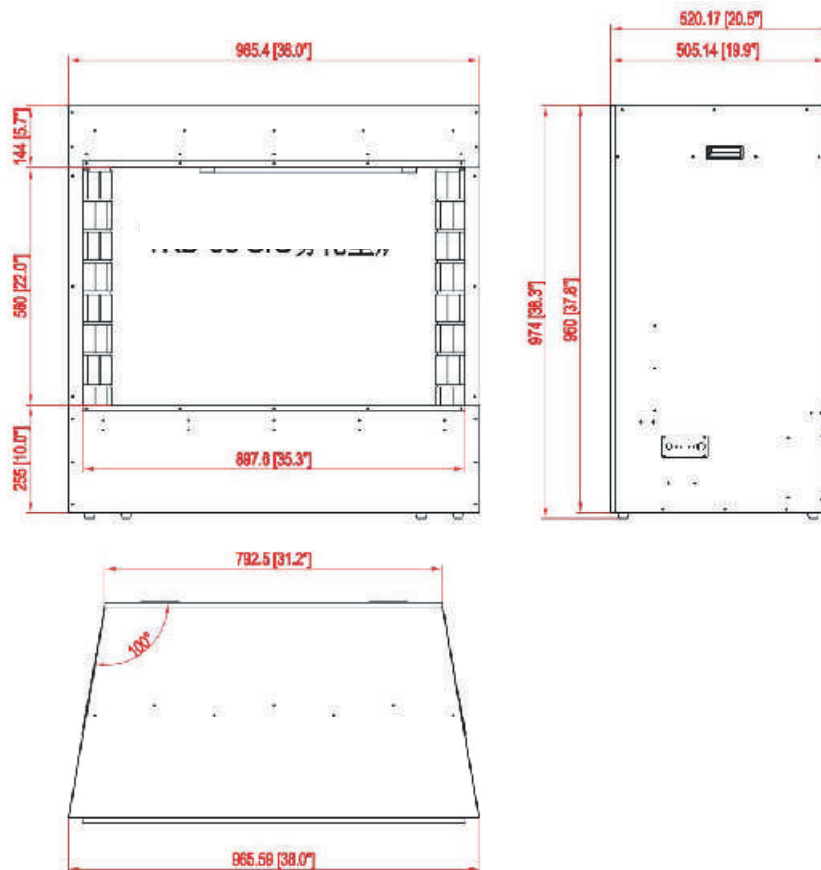
PART NUMBER	DESCRIPTION	2025 MSRP
TRD-26-BLK-PDS	Contemporary Pedestal Display with Storage Compartment for TRD-26 - Blk Color	\$449.00
TRD-30-BLK-PDS	Contemporary Pedestal Display with Storage Compartment for TRD-30 - Blk Color	\$449.00
TRD-33-BLK-PDS	Contemporary Pedestal Display with Storage Compartment for TRD-33 - Blk Color	\$449.00
TRD-38-BLK-PDS	Contemporary Pedestal Display with Storage Compartment for TRD-38 - Blk Color	\$449.00
SYM-50-XT-BLK-PDS	Contemporary Pedestal Display with Storage Compartment for SYM-50-XT - Blk Color	\$479.00



BI-TRD-38-SIG 15PCE Birch

TECH SPECIFICATIONS

Sleek Design: Features a clean, trimless face for a seamless and modern finish that integrates effortlessly into any space.



FEATURES



- Optimyst® Flame Effect – Revolutionary, patented ultrasonic technology produces a fine mist of water vapour to create the illusion of flames and smoke. The plumbed water supply kit is included
- Flame Intensity Adjustment – Allows you to control the flame volume according to your preference.
- Continuous Water Supply – included plumbing water supply kit to ensure uninterrupted operation without the need for refilling water tanks.
- Zero Emissions – The most sustainable fireplace option; no emissions and 100% efficient.
- Innovative Fusion – A groundbreaking concept that seamlessly combines the warmth of a flame, exceptional quality, and immersive sound—introducing a fireplace with integrated audio.
- This model can only be built-in.
- Fire & Sound – Two (2) quality audio speakers deliver a crackling sound. The audio is an ON/OFF feature that can be controlled through the WiFi app. Available on the Google play store and the Apple App Store.
- Intuitive Remote (included) – Colorful Intuitive remote to adjust the flames, temperature, or timer. Patented Thermostatic remote. Can be set, adjusted, and programmed for your fireplace to turn on when you want and at the temperature you want.
- Flame Presentation – State of the art flame presentation: Vibrant, multi-colored state of the art flame presentation – change from Yellow to Orange to Red with just a click of the remote.
- WiFi App – For complete control from any room. Set the fireplace to turn on before arriving home, or have it turn on automatically when the weather is cold.
- Bluetooth Connectivity – Featuring a fireplace with high quality audio from Bluetooth speakers. Simply pair your phone with the fireplace and press play on your smartphone.
- Our tech specifications proudly detail 12.5 Amps dedicated to our fireplace with the heater on, complemented by 3.83 Amps for the Dimplex cassette, culminating in a total requirement of 17 Amps when the heater is set to high.

DECORATIVE MEDIA & ACCESSORIES



LOG GRATE

YOUR CHOICE:



DESIGN-MEDIA-BIRCH-15PCE



DESIGN-MEDIA-DRIFT-15PCE



DESIGN-MEDIA-RUSTIC-14PCE



ICE-MEDIA-FI-109-DIAMOND



DESIGN-MEDIA-SPLIT-LOG-16PCE



DESIGN-MEDIA-OAK-18PCE

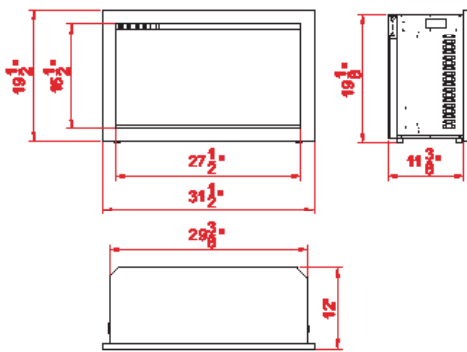
PART NUMBER	DESCRIPTION	2025 MSRP
BI-TRD-38-SIG	Amantii Signature 38" Built In Electric Fireplace with patented Optimyst technology by Dimplex, WiFi and Bluetooth Connectivity, Programmable Remote, Multi Speed Flame Motor, and a Selection of Media Options	\$5,899.00
SIG-38-BGL	Black Glass Liner for BI-TRD-38-SIG - 2 Pieces	\$269.00
SIG-38-BRL	Used Brick Red Liner for BI-TRD-38-SIG - 2 Pieces	\$269.00
SIG-38-WBL	Wenge Brown Liner for BI-TRD-38-SIG - 2 Pieces	\$269.00
SIG-38-DBL	Dark Brown Liner for BI-TRD-38-SIG - 2 Pieces	\$269.00
DESIGN-MEDIA-15PCE	DRIFTWOOD - 15 Piece Deluxe Media Kit Includes: 15 logs, stones, pebbles & embers	Dealer's Choice
DESIGN-MEDIA-BIRCH-15PCE	BIRCH - 15 Piece Deluxe Media Kit Includes: 15 logs, stones, pebbles & embers	Dealer's Choice
DESIGN-MEDIA-14PCE	RUSTIC - 14 Piece Deluxe Media Kit Includes: 14 logs, stones, pebbles & embers	Dealer's Choice
DESIGN-MEDIA-SPLIT-LOG-16PCE	SPLIT LOG - 16 Piece Deluxe Media Kit Includes: 16 logs, stones, pebbles & embers	Dealer's Choice
DESIGN-MEDIA-OAK-18PCE	OAK - 18 Piece Deluxe Media Kit Includes: 18 logs, stones, pebbles & embers	Dealer's Choice
Fi-109-Diamond	Ice Media Kit Includes: 3 large glass rocks, 95 clear diamond media, 10 blue diamond media and a package of clear acrylic media	Dealer's Choice



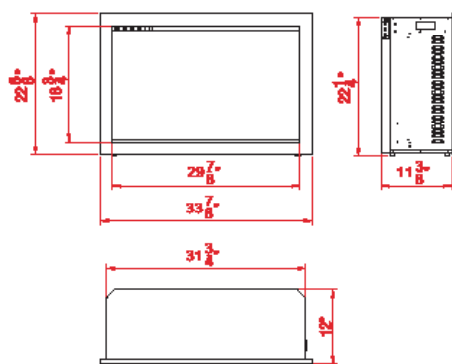
TRD-48-BESPOKE 15PCE Birch

TECH SPECIFICATIONS

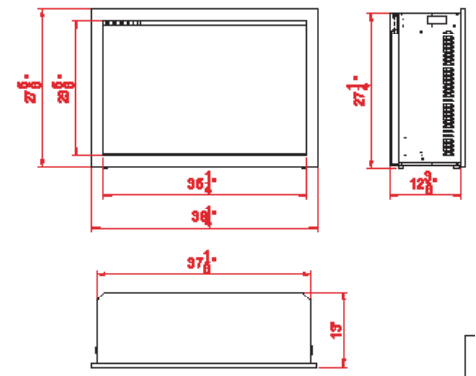
TRD-30-BESPOKE



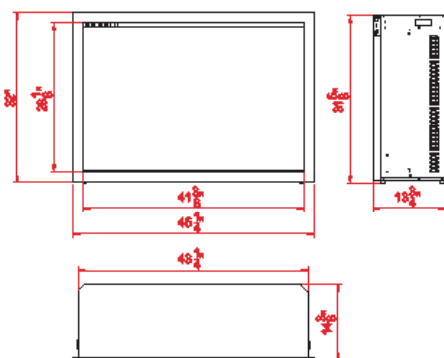
TRD-33-BESPOKE



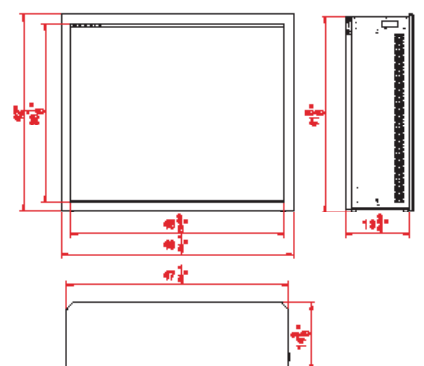
TRD-38-BESPOKE



TRD-44-BESPOKE



TRD-48-BESPOKE



FEATURES



- 5 Year Warranty
- Fire & Sound – Two (2) quality audio speakers deliver a fire crackling sound. The audio is an ON/OFF feature that can be controlled through the WiFi app.
- WiFi compatible to connect and control the fireplace from your smartphone with the use of our app. Available on the Google play store and the Apple App Store.
- Bluetooth Connectivity – Featuring a fireplace with high quality audio from Bluetooth speakers. Simply pair your phone with the fireplace and press play on your smartphone.
- Programmable timer & thermostat allows you to decide the temperature of the room. Set the fireplace to turn on before you arrive home or have it automatically turn on when the weather is cold.
- Smart Room Temperature Control - 59°F - 82°F or 15°C - 28°C
- 1465W 5000 BTU, heats up to 500 Sq. Ft.
- 50000 hours lifetime LED light source
- Approved for Outdoor Installations*
- Designed with front flow heating and hidden venting so that the unit can be recessed or semi flush mounted
- A clean reduced trim kit allows for a large viewing area with true lifelike flames that can not be rivaled.
- Adjustable flame brightness and speed that can be controlled independently.
- Adjustable ember bed colors that allow for the possibility of auto mixing thousands of colors.
- Most quiet and reliable components in the industry
- Patented thermostatic remote comes included
- Masonry finish to trim option

DECORATIVE MEDIA & ACCESSORIES

Models come with a choice of a Design Media kit - Driftwood, Birch or Rustic, Oak 18PCE, Split, 12PCE Oak, or ICE media



LOG GRATE



YOUR CHOICE:



DESIGN-MEDIA-BIRCH-15PCE



DESIGN-MEDIA-DRIFT-15PCE



DESIGN-MEDIA-RUSTIC-14PCE



DESIGN-MEDIA-SPLIT-LOG-16PCE



DESIGN-MEDIA-OAK-18PCE



DESIGN-MEDIA-OAK-12PCE-LG



ICE-MEDIA-FI-109-DIAMOND

*Manufacturer guidelines regarding outdoor installation must be followed. Please refer to the owner's manual for additional information

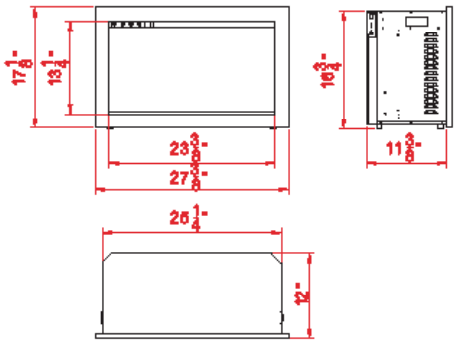
PART NUMBER	DESCRIPTION	2025 MSRP
TRD-30-BESPOKE	Traditional Bespoke - 30" Indoor / Outdoor Electric Insert Featuring, WiFi Compatibility, Bluetooth Connectivity, Multi Function Remote, and a Selection of Media Options	\$2,699.00
TRD-33-BESPOKE	Traditional Bespoke - 33" Indoor / Outdoor Electric Insert Featuring, WiFi Compatibility, Bluetooth Connectivity, Multi Function Remote, and a Selection of Media Options	\$2,999.00
TRD-38-BESPOKE	Traditional Bespoke - 38" Indoor / Outdoor Electric Insert Featuring, WiFi Compatibility, Bluetooth Connectivity, Multi Function Remote, and a Selection of Media Options	\$3,399.00
TRD-44-BESPOKE	Traditional Bespoke - 44" Indoor / Outdoor Electric Insert Featuring, WiFi Compatibility, Bluetooth Connectivity, Multi Function Remote, and a Selection of Media Options	\$3,799.00
TRD-48-BESPOKE	Traditional Bespoke - 48" Indoor / Outdoor Electric Insert Featuring, WiFi Compatibility, Bluetooth Connectivity, Multi Function Remote, and a Selection of Media Options	\$4,399.00
AMTR33T	Square trim for TRD-33	\$329.00
AMTR38T	Square trim for TRD-38	\$359.00
AMTR44T	Square trim for TRD-44	\$399.00
AMTR48T	Square trim for TRD-48	\$479.00
AMTR33A	Arch trim for TRD-33	\$329.00
AMTR38A	Arch trim for TRD-38	\$359.00
AMTR44A	Arch trim for TRD-44	\$399.00
AMTR48A	Arch trim for TRD-48	\$479.00
DESIGN-MEDIA-15PCE	DRIFTWOOD - 15 Piece Deluxe Media Kit Includes: 15 logs, stones, pebbles & embers	Dealer's Choice
DESIGN-MEDIA-BIRCH-15PCE	BIRCH - 15 Piece Deluxe Media Kit Includes: 15 logs, stones, pebbles & embers	Dealer's Choice
DESIGN-MEDIA-14PCE	RUSTIC - 14 Piece Deluxe Media Kit Includes: 14 logs, stones, pebbles & embers	Dealer's Choice
DESIGN-MEDIA-SPLIT-LOG-16PCE	SPLIT LOG - 16 Piece Deluxe Media Kit Includes: 16 logs, stones, pebbles & embers	Dealer's Choice
DESIGN-MEDIA-OAK-18PCE	OAK - 18 Piece Deluxe Media Kit Includes: 18 logs, stones, pebbles & embers	Dealer's Choice
Fi-109-Diamond	Ice Media Kit Includes: 3 large glass rocks, 95 clear diamond media, 10 blue diamond media and a package of clear acrylic media	Dealer's Choice



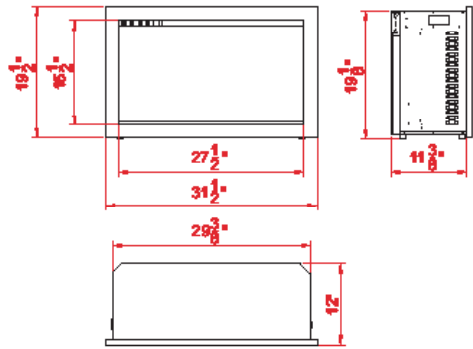
TRD-38-LUMINA-Arch Trim 12PCE Oak

TECH SPECIFICATIONS

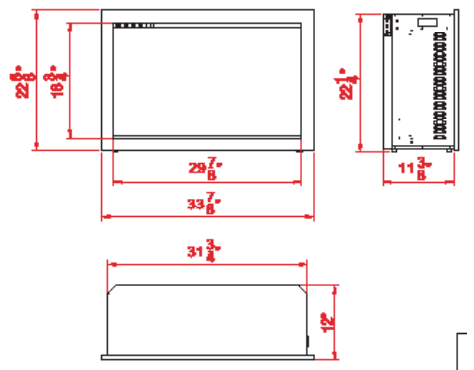
TRD-26 Lumina



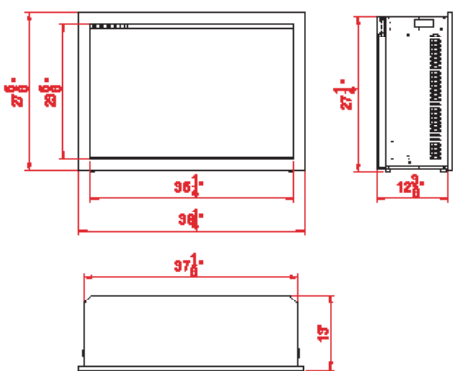
TRD-30 Lumina



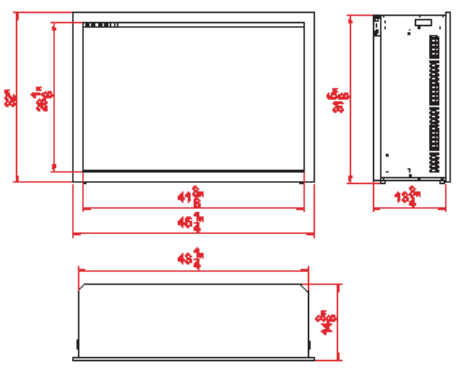
TRD-33 Lumina



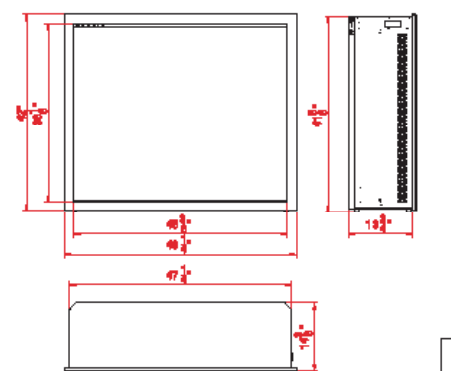
TRD-38 Lumina



TRD-44 Lumina



TRD-48 Lumina



FEATURES



- 2 Year Warranty
- WiFi compatible to connect and control the fireplace from your smartphone with the use of our app. Available on the Google play store and the Apple App Store.
- Programmable timer & thermostat allows you to decide the temperature of the room. Set the fireplace to turn on before you arrive home or have it automatically turn on when the weather is cold.
- Smart Room Temperature Control - 59°F - 82°F or 15°C - 28°C
- 1465W 5000 BTU, heats up to 500 Sq. Ft.
- 50000 hours lifetime LED light source
- Approved for Outdoor Installations*
- Designed with front flow heating and hidden venting so that the unit can be recessed or semi flush mounted
- A clean reduced trim kit allows for a large viewing area with true lifelike flames that can not be rivaled.
- Adjustable flame brightness and speed that can be turned on separately.
- Adjustable ember bed colors that allow for the possibility of auto mixing thousands of colors.
- Most quiet and reliable components in the industry
- Patented thermostatic remote comes included
- Masonry finish to trim option or Insert surround option

DECORATIVE MEDIA & ACCESSORIES

Models come with Design Media Oak LG 12PCE, trim, 2 small bags of vermiculite, clear fireglass, remote and grate



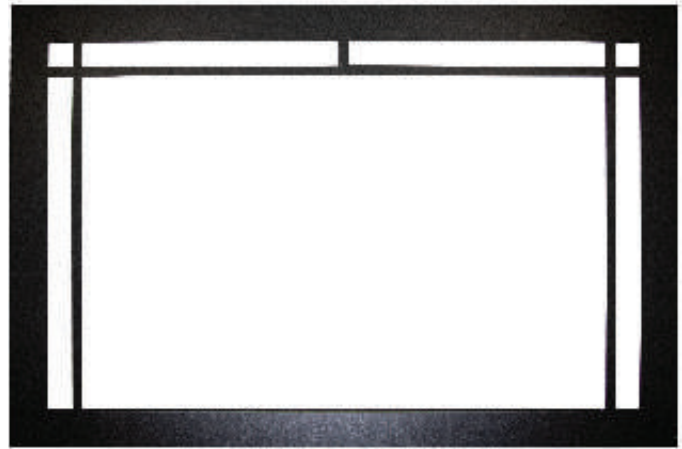
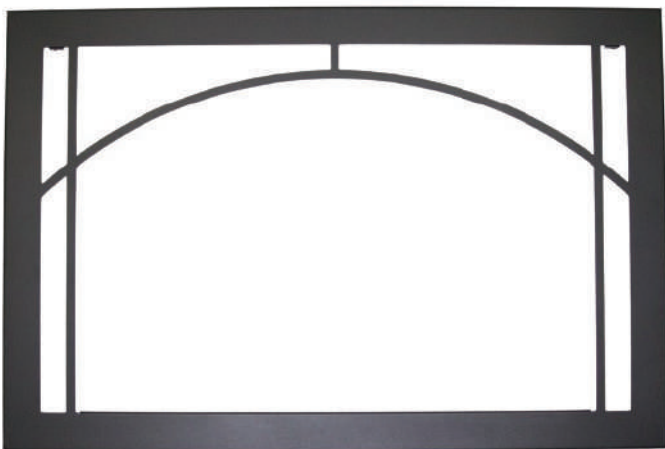
PART NUMBER	DESCRIPTION	2025 MSRP
TRD-26-LUMINA	Traditional Lumina 26" Indoor Outdoor Smart Electric Fireplace, WiFi Enabled, Programable Remote Control, Multi Flame Speeds, Comes with Real Glass and Oak Log Set	\$1,499.00
TRD-30-LUMINA	Traditional Lumina 30" Indoor Outdoor Smart Electric Fireplace, WiFi Enabled, Programable Remote Control, Multi Flame Speeds, Comes with Real Glass and Oak Log Set	\$1,799.00
TRD-33-LUMINA	Traditional Lumina 33" Indoor Outdoor Smart Electric Fireplace, WiFi Enabled, Programable Remote Control, Multi Flame Speeds, Comes with Real Glass and Oak Log Set	\$1,999.00
TRD-38-LUMINA	Traditional Lumina 38" Indoor Outdoor Smart Electric Fireplace, WiFi Enabled, Programable Remote Control, Multi Flame Speeds, Comes with Real Glass and Oak Log Set	\$2,399.00
TRD-44-LUMINA	Traditional Lumina 44" Indoor Outdoor Smart Electric Fireplace, WiFi Enabled, Programable Remote Control, Multi Flame Speeds, Comes with Real Glass and Oak Log Set	\$2,899.00
TRD-48-LUMINA	Traditional Lumina 48" Indoor Outdoor Smart Electric Fireplace, WiFi Enabled, Programable Remote Control, Multi Flame Speeds, Comes with Real Glass and Oak Log Set	\$3,499.00
AMTR33T	Square trim for TRD-33	\$329.00
AMTR38T	Square trim for TRD-38	\$359.00
AMTR44T	Square trim for TRD-44	\$399.00
AMTR48T	Square trim for TRD-48	\$479.00
AMTR33A	Arch trim for TRD-33	\$329.00
AMTR38A	Arch trim for TRD-38	\$359.00
AMTR44A	Arch trim for TRD-44	\$399.00
AMTR48A	Arch trim for TRD-48	\$479.00



TRD-33-LUMINA 12PCE Oak Square Trim

The TRD electric fireplace series now features two new trim styles to suit different aesthetic preferences: the Arch Trim and the Square Trim. These trims offer customers flexibility in integrating the fireplace with various room styles, from classic to contemporary.

Both trims are designed to enhance the TRD electric fireplace’s versatility, allowing homeowners to choose a style that best fits their room’s ambiance. Whether you want the refined elegance of the Arch or the streamlined sophistication of the Square, these trims provide a polished, custom look to elevate the atmosphere of any living space.

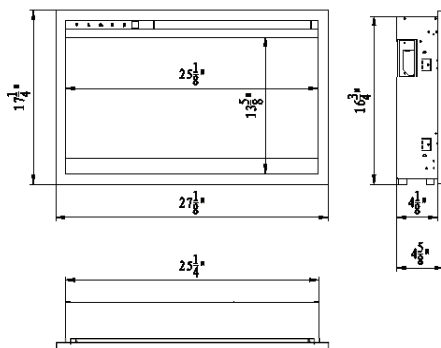


PART NUMBER	DESCRIPTION	2025 MSRP
AMTR33T	Square trim for TRD-33	\$329.00
AMTR38T	Square trim for TRD-38	\$359.00
AMTR44T	Square trim for TRD-44	\$399.00
AMTR48T	Square trim for TRD-48	\$479.00
AMTR33A	Arch trim for TRD-33	\$329.00
AMTR38A	Arch trim for TRD-38	\$359.00
AMTR44A	Arch trim for TRD-44	\$399.00
AMTR48A	Arch trim for TRD-48	\$479.00

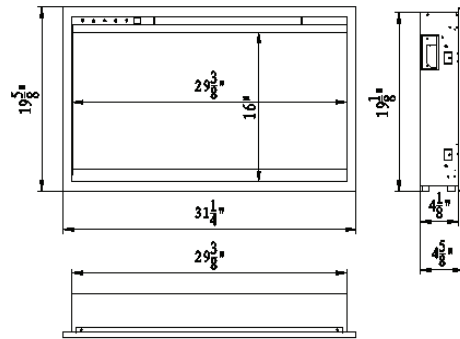


TECH SPECIFICATIONS

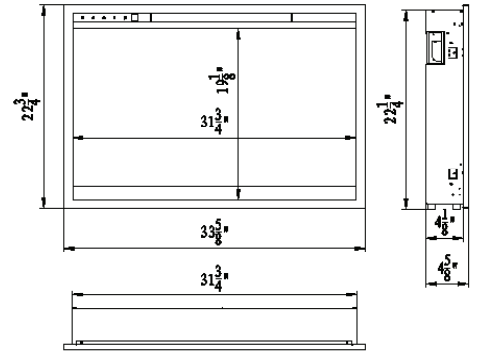
TRD-26-XS



TRD-30-XS



TRD-33-XS



FEATURES



- Modern and sleek in design, this unit can be mounted or recessed into any 2" x 4" wall
- Unsurpassed, realistic flames can be enjoyed with or without the use of heat, allowing for year round use
- Clean and Seamless in Design: this fireplace features a full frame viewing area
- WiFi controls come standard
- Remote App- total control of your fireplace from the convenience of your mobile device
- Operate this fireplace from the comfort of your favorite spot with the included, full feature, remote control
- 2 Heater settings Low - 733W - High 1465W
- 5000 BTU's
- Included Accessories: Clear glass diamond, black powder coated surround and a full featured remote control
- 11 multi colors of up lighting that accent from the tray
- Flame options include: yellow, orange, and red. 5 settings in each color, so you can cycle through
- 3 Speed motor sets the flame speed option
- Smart Heater Control - Auto mode feature allows for the unit to operate under your ideal temperature setting
- Perfect for any commercial or residential space

DECORATIVE MEDIA & ACCESSORIES

- **Included Media** – Clear glass diamonds, black powder coated surround and a full feature remote control



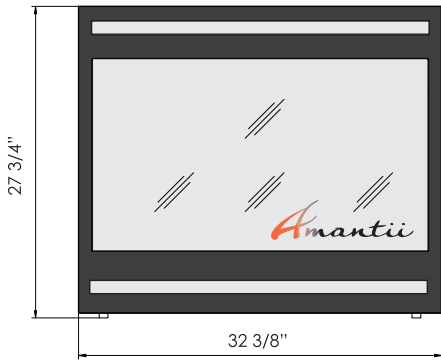
PART NUMBER	DESCRIPTION	2025 MSRP
TRD-26-XS	Traditional Xtraslim Smart Electric 26" WiFi Enabled Fireplace, Featuring a Multi Function Remote Control, Multi Flame Speeds and Clear Glass Media	\$1,499.00
TRD-30-XS	Traditional Xtraslim Smart Electric 30" WiFi Enabled Fireplace, Featuring a Multi Function Remote Control, Multi Flame Speeds and Clear Glass Media	\$1,699.00
TRD-33-XS	Traditional Xtraslim Smart Electric 33" WiFi Enabled Fireplace, Featuring a Multi Function Remote Control, Multi Flame Speeds and Clear Glass Media	\$1,899.00



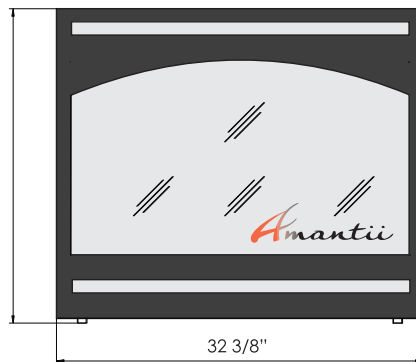
TRD-30-XS Clear Glass Media



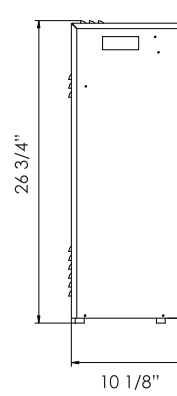
TECH SPECIFICATIONS



ZECL-31-3228-STL-SQR



ZECL-31-3228-STL-ARCH



FEATURES

- Heater & Fan
Flame operates with or without heat
- Hard-wire ready.
Thermostat hard-wire ready
- Temperature maintenance control - keep your space warm and cozy
- Three light strips allow for yellow, orange, blue, violet and rose colored flames.
- Perfect for zone heating. Approx. 500 sq. ft. 5000 BTUs

DECORATIVE MEDIA & ACCESSORIES

- **Included Media** – The Zero Clearance series come with log set and a remote.



PART NUMBER	DESCRIPTION	2025 MSRP
ZECL-31-3228-STL	31" Zero Clearance Electric Fireplace with a 6 Piece Log Set Included	\$1,399.00
STL-ARCH	Arch Surround for the ZECL 31-3228 STL	\$119.00



ZECL-31-3228-STL- Rustic Log-set - STL-ARCH Surround



ZECL-31-3228-STL- Birch Log-set - STL-SQ-Surround



SYM-50-XT Bespoke 16PCE Split

FEATURES

- 5 Year Warranty
- Fire & Sound – Two (2) quality audio speakers deliver a fire crackling sound. The audio is an ON/OFF feature that can be controlled through the WiFi app.
- WiFi compatible to connect and control the fireplace from your smartphone with the use of our app. Available on the Google play store and the Apple App Store.
- Bluetooth Connectivity – Featuring a fireplace with high quality audio from Bluetooth speakers. Simply pair your phone with the fireplace and press play on your smartphone.
- Programmable timer & thermostat allows you to decide the temperature of the room. Set the fireplace to turn on before you arrive home or have it automatically turn on when the weather is cold.
- Smart Room Temperature Control - 59°F - 82°F or 15°C - 28°C
- 1465W 5000 BTU, heats up to 500 Sq. Ft. May also be wired to 240 volts to increase the BTU output to 10,230, heats up to 900 Sq. Ft.
- 50000 hours lifetime LED light source
- Approved for Outdoor Installations*
- Designed with front flow heating and hidden venting so that the unit can be recessed or semi flush mounted.
- A clear reduced trim kit allows for a large viewing area with true lifelike flames that can not be rivaled.
- Adjustable flame brightness and speed that can be turned on separately.
- Adjustable ember bed colors that allow for the possibility of auto mixing thousands of colors
- Most quiet and reliable components in the industry
- Patented thermostatic remote comes included
- Masonry finish to trim option



FLAME PRESENTATION



Yellow Flame



Orange Flame



Red Flame

DECORATIVE MEDIA & ACCESSORIES

Models come with a choice of a Design Media kit - Driftwood, Birch or Rustic, Oak 18PCE, Split, 12PCE Oak, or ICE media



*Manufacturer guidelines regarding outdoor installation must be followed. Please refer to the owner's manual for additional information

PART NUMBER	DESCRIPTION	2025 MSRP
SYM-50-XT-BESPOKE	Symmetry Xtra Tall Bespoke - 50" Indoor / Outdoor Electric Built In featuring, WiFi Compatibility & Bluetooth Connectivity, MultiFunction Remote, and a Selection of Media Options	\$3,999.00
SYM-60-XT-BESPOKE	Symmetry Xtra Tall Bespoke - 60" Indoor / Outdoor Electric Built In featuring, WiFi Compatibility & Bluetooth Connectivity, MultiFunction Remote, and a Selection of Media Options	\$4,699.00
SYM-74-XT-BESPOKE	Symmetry Xtra Tall Bespoke - 74" Indoor / Outdoor Electric Built In featuring, WiFi Compatibility & Bluetooth Connectivity, MultiFunction Remote, and a Selection of Media Options	\$4,899.00
SYM-88-XT-BESPOKE	Symmetry Xtra Tall Bespoke - 88" Indoor / Outdoor Electric Built In featuring, WiFi Compatibility & Bluetooth Connectivity, MultiFunction Remote, and a Selection of Media Options	\$5,499.00
SYM-100-XT-BESPOKE	Symmetry Xtra Tall Bespoke - 100" Indoor / Outdoor Electric Built In featuring, WiFi Compatibility & Bluetooth Connectivity, MultiFunction Remote, and a Selection of Media Options	\$5,899.00
DESIGN-MEDIA-15PCE	DRIFTWOOD - 15 Piece Deluxe Media Kit Includes: 15 logs, stones, pebbles & embers	Dealer's Choice
DESIGN-MEDIA-BIRCH-15PCE	BIRCH - 15 Piece Deluxe Media Kit Includes: 15 logs, stones, pebbles & embers	Dealer's Choice
DESIGN-MEDIA-14PCE	RUSTIC - 14 Piece Deluxe Media Kit Includes: 14 logs, stones, pebbles & embers	Dealer's Choice
DESIGN-MEDIA-SPLIT-LOG-16PCE	SPLIT LOG - 16 Piece Deluxe Media Kit Includes: 16 logs, stones, pebbles & embers	Dealer's Choice
DESIGN-MEDIA-OAK-18PCE	OAK - 18 Piece Deluxe Media Kit Includes: 18 logs, stones, pebbles & embers	Dealer's Choice
Fi-109-Diamond	Ice Media Kit Includes: 3 large glass rocks, 95 clear diamond media, 10 blue diamond media and a package of clear acrylic media	Dealer's Choice



SYM-01-Bespoke 10PCF Fireplace

FEATURES

- 5 Year Warranty
- Fire & Sound – Two (2) quality audio speakers deliver a fire crackling sound. The audio is an ON/OFF feature that can be controlled through the WiFi app
- WiFi compatible to connect and control the fireplace from your smartphone with the use of our app. Available on the Google Play Store and the Apple App Store
- Bluetooth Connectivity – Featuring a fireplace with high quality audio from Bluetooth speakers. Simply pair your phone with the fireplace and press play on your smartphone
- Programmable timer & thermostat allows you to decide the temperature of the room. Set the fireplace to turn on before you arrive home or have it automatically turn on when the weather is cold.
- Smart Room Temperature Control 59°F - 82°F or 15°C - 28°
- 1465W – 5000 BTU, heats up to 500 Sq. Ft.
- 50000 hours lifetime LED light source
- Approved for Outdoor Installations*
- Designed with front flow heating and hidden venting so that the unit can be recessed or semi flush mounted
- A clear reduced trim kit allows for a large viewing area with true lifelike flames that cannot be rivaled
- Adjustable flame brightness and speed that can be controlled independently..
- Adjustable ember bed colors that allow for the possibility of auto mixing thousand of colors
- Most quiet and reliable components in the industry
- Patented thermostatic remote comes included
- Masonry finish to trim option



*Manufacturer guidelines regarding outdoor installation must be followed. Please refer to the owner's manual for additional information

DECORATIVE MEDIA & ACCESSORIES

All units come with a choice of a Design Media Kit - Ice Media, 12 Pce Medium Oak, Ember Media Kit, 10 Pce Birch Log Set

YOUR CHOICE:				
	ICE-MEDIA-FI-109-DIAMOND	DESIGN-MEDIA-OAK-12PCE-MD	DESIGN-MEDIA-BIRCH-10PCE	EMBER MEDIA KIT

FLAME PRESENTATION



Yellow Flame



Orange Flame



Red Flame

PART NUMBER	DESCRIPTION	2025 MSRP
SYM-34-BESPOKE	Symmetry Bespoke - 34" Indoor / Outdoor Electric Built In Fireplace featuring, WiFi Compatibility & Bluetooth Connectivity, MultiFunction Remote, and a Selection of Media Options	\$2,199.00
SYM-42-BESPOKE	Symmetry Bespoke - 42" Indoor / Outdoor Electric Built In Fireplace featuring, WiFi Compatibility & Bluetooth Connectivity, MultiFunction Remote, and a Selection of Media Options	\$2,399.00
SYM-50-BESPOKE	Symmetry Bespoke - 50" Indoor / Outdoor Electric Built In Fireplace featuring, WiFi Compatibility & Bluetooth Connectivity, MultiFunction Remote, and a Selection of Media Options	\$2,699.00
SYM-60-BESPOKE	Symmetry Bespoke - 60" Indoor / Outdoor Electric Built In Fireplace featuring, WiFi Compatibility & Bluetooth Connectivity, MultiFunction Remote, and a Selection of Media Options	\$2,999.00
SYM-74-BESPOKE	Symmetry Bespoke - 74" Indoor / Outdoor Electric Built In Fireplace featuring, WiFi Compatibility & Bluetooth Connectivity, MultiFunction Remote, and a Selection of Media Options	\$3,399.00
SYM-88-BESPOKE	Symmetry Bespoke - 88" Indoor / Outdoor Electric Built In Fireplace featuring, WiFi Compatibility & Bluetooth Connectivity, MultiFunction Remote, and a Selection of Media Options	\$3,799.00
SYM-100-BE-SPOKE	Symmetry Bespoke - 100" Indoor / Outdoor Electric Built In Fireplace featuring, WiFi Compatibility & Bluetooth Connectivity, MultiFunction Remote, and a Selection of Media Options	\$4,199.00
LOGSET-10PCE-BIRCH	10 Piece Log Set Includes: 7 Piece Birch logs, 3 Piece Glowing Logs (for use in electric fireplaces only)	Dealer's Choice
DESIGN-MEDIA-OAK-12PCE-MD	OAK - 12 Piece Media Kit Includes: 12 medium Oak logs, 2 colors of vermiculite	Dealer's Choice
Fi-109-Diamond	Ice Media Kit Includes: 3 large glass rocks, 95 clear diamond media, 10 blue diamond media and a package of clear acrylic media	Dealer's Choice
HZ-12-Ember	Ember Media Kit Includes: clear, suntea, & harvest moon color media	Dealer's Choice



SYM-60-XT 15PCE Birch

FEATURES



- Glass viewing area is 18" tall with no unsightly venting visible
- Two flame style patterns - standard and more traditional - you choose!
- Choose from combinations of yellow, orange and red colored flames.
- Flame operates with or without heat, perfect for zone heating
- Choose from 11 color settings of canopy lighting (10 colors and a cycle thru setting)
- Touch pad for convenient control of features with temperature display.
- WiFi compatible to connect and control the fireplace from your smart phone with the use of our app. Available on the Google Play Store and the Apple App Store
- Approved for Outdoor Installations
- Most quiet and reliable components in the industry
- Patented thermostatic remote comes included
- Three flame speed motor
- Programmable timer & thermostat allows you to decide the temperature of the room. Set your fireplace to turn on before you arrive home or have it automatically turn on when the weather is cold



DESIGN-MEDIA-SPLITLOG-16PCE

DECORATIVE MEDIA & ACCESSORIES

- **Included Media** – Models come with a choice of a Design Media Kit – Driftwood, Birch, Rustic, 18 Piece Oak, Split Log, 12 Piece Oak or Ice Media

YOUR CHOICE:



DESIGN-MEDIA-BIRCH-15PCE



DESIGN-MEDIA-DRIFT-15PCE



DESIGN-MEDIA-RUSTIC-14PCE



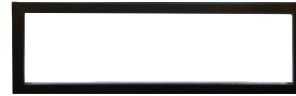
DESIGN-MEDIA-SPLIT-LOG-16PCE



DESIGN-MEDIA-OAK-18PCE



ICE-MEDIA-FI-109-DIAMOND



*Manufacturer guidelines regarding outdoor installation must be followed. Please refer to the owner's manual for additional information

PART NUMBER	DESCRIPTION	2025 MSRP
SYM-34-XT	Symmetry Xtra Tall Smart Electric 34" Indoor / Outdoor WiFi Enabled Fireplace, Featuring a MultiFunction Remote Control , Multi Speed Flame Motor, and a Selection of Media Options	\$2,499.00
SYM-42-XT	Symmetry Xtra Tall Smart Electric 42" Indoor / Outdoor WiFi Enabled Fireplace, Featuring a MultiFunction Remote Control , Multi Speed Flame Motor, and a Selection of Media Options	\$2,899.00
SYM-50-XT	Symmetry Xtra Tall Smart Electric 50" Indoor / Outdoor WiFi Enabled Fireplace, Featuring a MultiFunction Remote Control , Multi Speed Flame Motor, and a Selection of Media Options	\$3,599.00
SYM-60-XT	Symmetry Xtra Tall Smart Electric 60" Indoor / Outdoor WiFi Enabled Fireplace, Featuring a MultiFunction Remote Control , Multi Speed Flame Motor, and a Selection of Media Options	\$3,999.00
SYM-74-XT	Symmetry Xtra Tall Smart Electric 74" Indoor / Outdoor WiFi Enabled Fireplace, Featuring a MultiFunction Remote Control , Multi Speed Flame Motor, and a Selection of Media Options	\$4,399.00
SYM-88-XT	Symmetry Xtra Tall Smart Electric 88" Indoor / Outdoor WiFi Enabled Fireplace, Featuring a MultiFunction Remote Control , Multi Speed Flame Motor, and a Selection of Media Options	\$4,699.00
SYM-100-XT	Symmetry Xtra Tall Smart Electric 34" Indoor / Outdoor WiFi Enabled Fireplace, Featuring a MultiFunction Remote Control , Multi Speed Flame Motor, and a Selection of Media Options	\$4,999.00
DESIGN-MEDIA-15PCE	DRIFTWOOD - 15 Piece Deluxe Media Kit Includes: 15 logs, stones, pebbles & embers	Dealer's Choice
DESIGN-MEDIA-BIRCH-15PCE	BIRCH - 15 Piece Deluxe Media Kit Includes: 15 logs, stones, pebbles & embers	Dealer's Choice
DESIGN-MEDIA-14PCE	RUSTIC - 14 Piece Deluxe Media Kit Includes: 14 logs, stones, pebbles & embers	Dealer's Choice
DESIGN-MEDIA-SPLIT-LOG-16PCE	SPLIT LOG - 16 Piece Deluxe Media Kit Includes: 16 logs, stones, pebbles & embers	Dealer's Choice
DESIGN-MEDIA-OAK-18PCE	OAK - 18 Piece Deluxe Media Kit Includes: 18 logs, stones, pebbles & embers	Dealer's Choice
Fi-109-Diamond	Ice Media Kit Includes: 3 large glass rocks, 95 clear diamond media, 10 blue diamond media and a package of clear acrylic media	Dealer's Choice



FEATURES

- Patented Thermostatic Remote Control
- Clear Reduced Trim Kit
- Masonry Finish to Trim Option
- 1465W 5000 BTU, heat up 400 sq ft room
- 50000 Hours Lifetime LED Light Source
- Smart Room Temperature Control 59°F–82°F or 15°C–28°C
- Improved Flame Effect
- Adjustable Flame Brightness
- Adjustable Flame Speed
- Adjustable Ember Bed Colors with possibility to auto mix thousands of colors
- Timer: Regular Timer (1–8 hours) and 7-Day Pre-Set Timer
- Flame and Ember Bed Glow can be on separately
- Whisper quiet heater/fan – “the most quiet fireplace in industry”
- Improved 11 Color Downlight
- Designed with front flow heating with hidden venting so that the unit can be recessed or semi flush mounted
- Slim frame that features a large viewing area with true life like LED flames that cannot be rivaled
- Programmable timer for automatic turn on or off at any set time. Set the fireplace to turn on before you arrive home or have it automatically turn on when the weather is cold.
- Thermostatic remote comes included
- Two unique flame styles – standard or more traditional
- The most reliable components in industry



DECORATIVE MEDIA & ACCESSORIES

Models comes with DESIGN-MEDIA-OAK-12PCE-MD, decorative glass media, surround, and a remote.



DESIGN-MEDIA-OAK-12PCE-MD



FLAME PRESENTATION



Yellow Flame



Orange Flame



Red Flame

PART NUMBER	DESCRIPTION	2025 MSRP
SYM-34-LUMINA	Symmetry Lumina 34" Indoor Outdoor Built In Smart Electric Fireplace, WiFi Enabled, Programmable Remote Control , Multi Speed Flame, Comes with Real Glass and Oak Log Set	\$1,699.00
SYM-42-LUMINA	Symmetry Lumina 42" Indoor Outdoor Built In Smart Electric Fireplace, WiFi Enabled, Programmable Remote Control , Multi Speed Flame, Comes with Real Glass and Oak Log Set	\$1,899.00
SYM-50-LUMINA	Symmetry Lumina 50" Indoor Outdoor Built In Smart Electric Fireplace, WiFi Enabled, Programmable Remote Control , Multi Speed Flame, Comes with Real Glass and Oak Log Set	\$2,099.00
SYM-60-LUMINA	Symmetry Lumina 60" Indoor Outdoor Built In Smart Electric Fireplace, WiFi Enabled, Programmable Remote Control , Multi Speed Flame, Comes with Real Glass and Oak Log Set	\$2,299.00
SYM-74-LUMINA	Symmetry Lumina 74" Indoor Outdoor Built In Smart Electric Fireplace, WiFi Enabled, Programmable Remote Control , Multi Speed Flame, Comes with Real Glass and Oak Log Set	\$2,699.00
SYM-88-LUMINA	Symmetry Lumina 88" Indoor Outdoor Built In Smart Electric Fireplace, WiFi Enabled, Programmable Remote Control , Multi Speed Flame, Comes with Real Glass and Oak Log Set	\$3,099.00
SYM-100-LUMINA	Symmetry Lumina 100" Indoor Outdoor Built In Smart Electric Fireplace, WiFi Enabled, Programmable Remote Control , Multi Speed Flame, Comes with Real Glass and Oak Log Set	Coming Soon



SYM-60-LUMINA Design Media OAK 12PCE MED



SYM-SLIM-WM-60-XS Clear Glass Media

FEATURES

- 1465W – 5000 BTU, heats up to 500 Sq. Ft.
- 50000 hours lifetime LED light source
- A clear reduced trim kit allows for a large viewing area with true lifelike flames that can not be rivaled
- Adjustable flame brightness and speed that can be turned on separately.
- Adjustable ember bed colors that allow for the possibility of auto mixing thousand of colors
- Most quiet and reliable components in the industry
- Patented thermostatic remote comes included
- 11 multi-colors of uplighting that accent from the tray
- Flame options include: yellow, orange, and red. 5 settings in each color, so you can cycle through
- 1 Speed motor sets the flame speed option
- Modern and sleek in design, this unit can be mounted or recessed into any 2" x 4" wall
- Unsurpassed, realistic flames can be enjoyed with or without the use of heat, allowing for year-round use
- Clean and Seamless in Design: this fireplace features a full-frame viewing area
- Operate this fireplace from the comfort of your favorite spot with the included, full feature, remote control

DECORATIVE MEDIA & ACCESSORIES

- Included Media – Clear glass diamonds, black powder coated surround and a full feature remote control



FLAME PRESENTATION



Yellow Flame



Orange Flame



Red Flame

*Manufacturer guidelines regarding outdoor installation must be followed. Please refer to the owner's manual for additional information

PART NUMBER	DESCRIPTION	2025 MSRP
WM-45-XS	Wall Mount Xtraslim 45" Electric Fireplace, Featuring a MultiFunction Remote Control	\$1,199.00
WM-50-XS	Wall Mount Xtraslim 50" Electric Fireplace, Featuring a MultiFunction Remote Control	\$1,349.00
WM-55-XS	Wall Mount Xtraslim 55" Electric Fireplace, Featuring a MultiFunction Remote Control	\$1,399.00
WM-60-XS	Wall Mount Xtraslim 60" Electric Fireplace, Featuring a MultiFunction Remote Control	\$1,449.00
WM-65-XS	Wall Mount Xtraslim 65" Electric Fireplace, Featuring a MultiFunction Remote Control	\$1,499.00

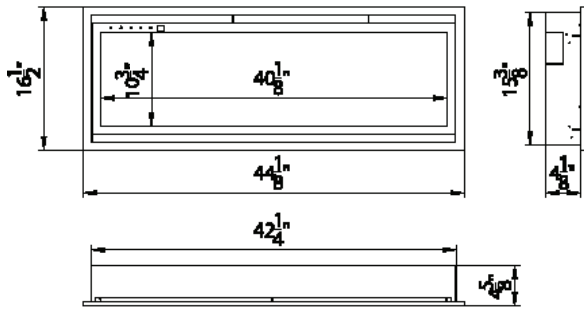


Clear Glass Media

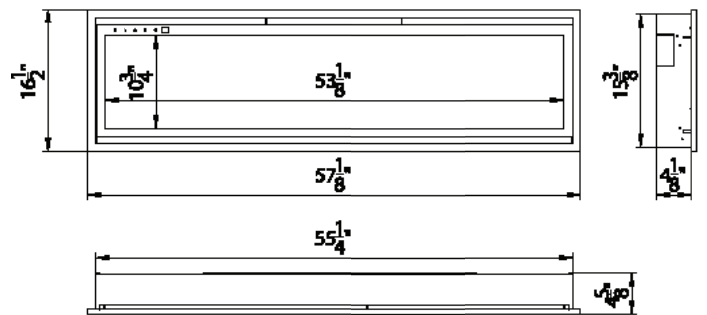


SYM-SLIM-60 Clear Glass Media

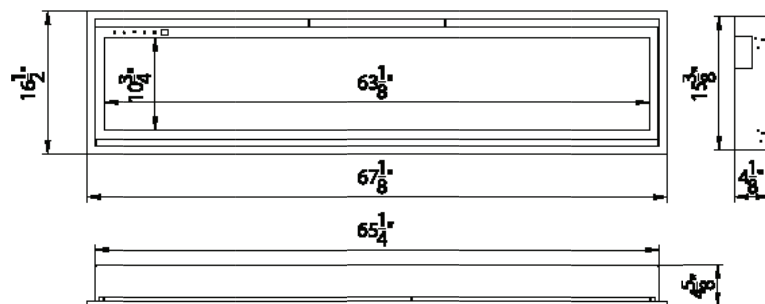
TECH SPECIFICATIONS



SYM-SLIM-42



SYM-SLIM-50



SYM-SLIM-60

FEATURES 

- WiFi compatible to connect and control the fireplace from your smartphone with the use of our app. Available on the Google Play Store and the Apple App Store
- Programmable timer & thermostat allows you to decide the temperature of the room. Set the fireplace to turn on before you arrive home or have it automatically turn on when the weather is cold.
- Smart Room Temperature Control - 59°F - 82°F or 15°C - 28°
- 1465W – 5000 BTU, heats up to 500 Sq. Ft.
- 50000 hours lifetime LED light source
- A clear reduced trim kit allows for a large viewing area with true lifelike flames that can not be rivaled
- Adjustable flame brightness and speed that can be turned on separately.
- Adjustable ember bed colors that allow for the possibility of auto mixing thousand of colors
- Most quiet and reliable components in the industry
- Patented thermostatic remote comes included

DECORATIVE MEDIA & ACCESSORIES

- **Included Media** – Clear glass diamonds, black powder coated surround and a full feature remote control



*Manufacturer guidelines regarding outdoor installation must be followed. Please refer to the owner's manual for additional information

PART NUMBER	DESCRIPTION	2025 MSRP
SYM-SLIM-42	Symmetry Xtraslim Smart Electric -42" WiFi Enabled Fireplace, Featuring a MultiFunction Remote Control, Multi Speed Flame Motor	SOLD OUT
SYM-SLIM-50	Symmetry Xtraslim Smart Electric -50" WiFi Enabled Fireplace, Featuring a MultiFunction Remote Control, Multi Speed Flame Motor	\$1,699.00
SYM-SLIM-60	Symmetry Xtraslim Smart Electric -60" WiFi Enabled Fireplace, Featuring a MultiFunction Remote Control, Multi Speed Flame Motor	SOLD OUT

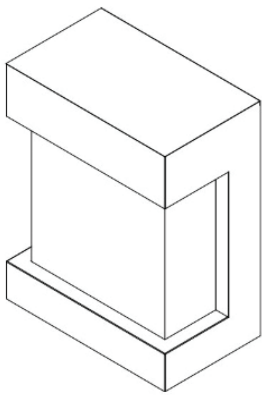




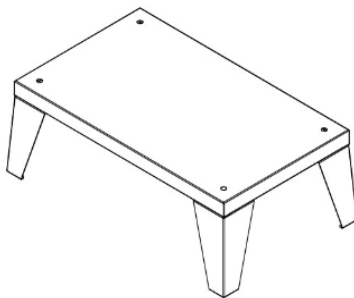
CUBE-2025WM-LUMINA Glass Media

TECH SPECIFICATIONS

Wall Mount



Leg Base



DESIGN-MEDIA-OAK-12PCE-XS

FEATURES



- 3-sided built-in electric fireplace
- WiFi Compatible to connect and control the fireplace from your smartphone with the use of our app. Available on the Google Play Store and Apple App Store
- Three speed flame motor
- Heat output 5000 BTU
- No unsightly venting and grills seen. A true clean and vent free look
- Programmable timer & thermostat allows you to decide the temperature of the room. Set your fireplace to turn on before you arrive home or have it automatically turn on when the weather is cold.
- Touch pad for convenient control of the features and temperature display from the fireplace.
- Choose from combinations of yellow, orange and red colored flames
- Approved for indoor or outdoor applications.*
- Choose from 11 color settings of canopy lighting (10 colors and a cycle thru setting)
- Two flame pattern styles – standard and more traditional
- New patented thermostatic remote comes included

DECORATIVE MEDIA & ACCESSORIES

- **Included Media** – DESIGN-MEDIA-OAK-12PCE-MD and a remote



DESIGN-MEDIA-OAK-12PCE-MD



*Manufacturer guidelines regarding outdoor installation must be followed. Please refer to the owner's manual for additional information

PART NUMBER	DESCRIPTION	2025 MSRP
CUBE-2025WM-LUMINA	"THE CUBE" - Lumina Smart Electric Fireplace, WiFi Enabled, Programmable Remote Control, Multi Flame Speeds, Comes with Glass, Oak Logs and Glowing Log Media	\$1,799.00
Cube-Base-Legs	Pedestal Base for "The Cube" - attaches to The Cube	\$129.00



Fi-109-Diamond

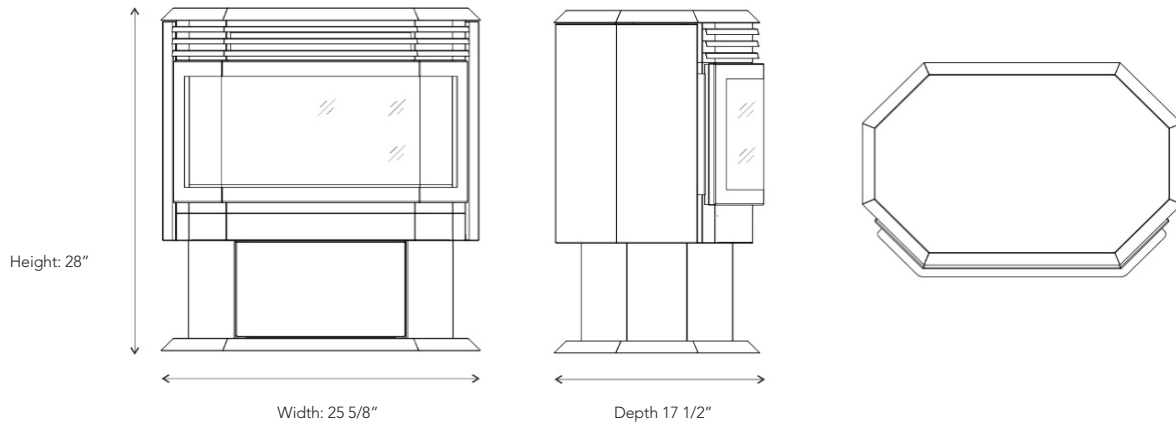


DESIGN-MEDIA-OAK-12PCE-XS



TS-26-922 LUMINA 12PCE Oak

TECH SPECIFICATIONS



FEATURES

- 3-sided panoramic design helps you appreciate the flame in a better view
- WiFi Compatible to connect and control the fireplace from your smart-phone with the use of our app.
- Available on the Google Play Store and Apple App Store
- Three Flame Speeds
- New multi programmable remote comes included
- Programmable timer & thermostat allows you to decide the temperature of the room. Set your fireplace to turn on before you arrive home or have it automatically turn on when the weather is cold
- Choose from combinations of red, yellow and orange flame colors
- Touch pad for convenient control of features and temperature display of the fireplace
- Choose from 11 color settings of canopy lighting (10 colors and a cycle thru setting)
- Produces up to 5000 BTU of heat, enough to heat up 500 sq ft of space

DECORATIVE MEDIA & ACCESSORIES

- Included Media – DESIGN-MEDIA-OAK-12PCE-MD



DESIGN-MEDIA-OAK-12PCE-MD



FLAME PRESENTATION



Yellow Flame



Orange Flame



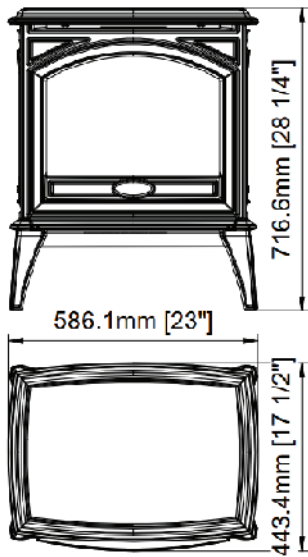
Red Flame

PART NUMBER	DESCRIPTION	2025 MSRP
FS-26-922-LUMINA	FS Lumina 26" Smart Freestanding Electric Fireplace, WiFi Enabled, Programable Remote Control, Multi Flame Speeds, Comes with Oak Logs and Glowing Log Media	\$1,699.00

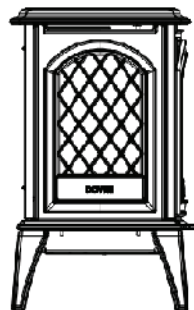


E50-NA 12PCE Oak

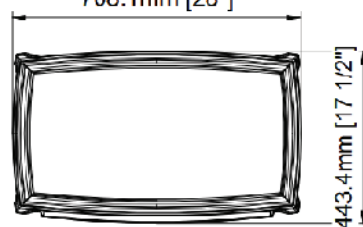
TECH SPECIFICATIONS



E50



E70



FEATURES



- Real Cast Iron Construction.
- Rated for indoor applications only
- State of the art flame set- with a simple click of the remote change the flame from red to orange or yellow.
- Two Flame sets and canopy lighting in 13 color themes, creates the illusion of a real fire
- Flame effect can be used with or without heat
- Built in thermostat control with new remote control.
- Produces up to 5000 BTU of heat, enough to heat up 500 sq. ft
- Includes a multi-function remote
- Fan Noise – 43dB

DECORATIVE MEDIA & ACCESSORIES

- **Included Media** – 10 piece realistic birch like logs, 2 colors of fireglass, two bags of vermiculite in black and white colors



PART NUMBER	DESCRIPTION	2025 MSRP
E50-NA	Lynwood Series - 50 cm Freestanding Electric Stove Featuring a Cast Iron Frame and a 10 Piece Birch Log Set	\$1,999.00
E70-NA	Lynwood Series - 70 cm Freestanding Electric Stove Featuring a Cast Iron Frame and a 10 Piece Birch Log Set	\$2,399.00



10PCE BIRCH



SPLIT LOGSET

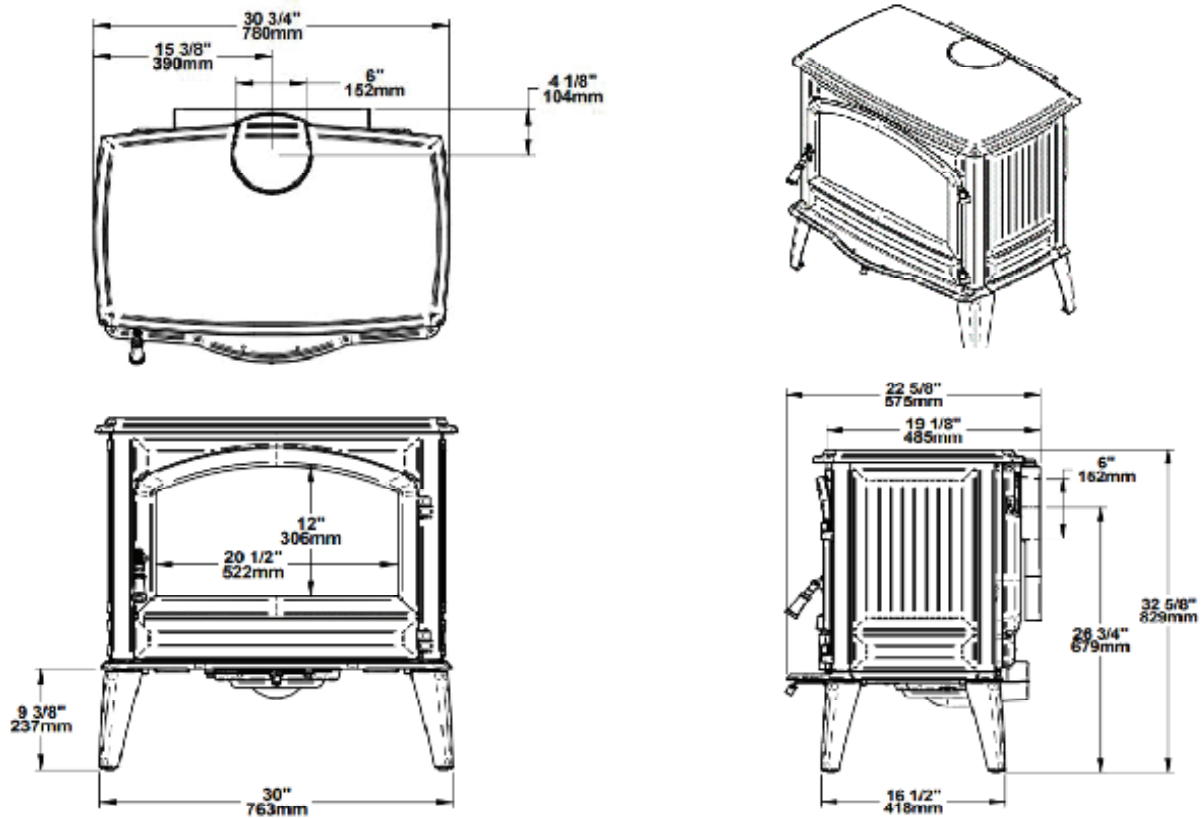


DRIFT LOGSET



Lynwood-W76

TECH SPECIFICATIONS



Cast Iron Construction, 75,000 BTU of Max Power, and a max heating area of 2000 Sq. Ft make it ideal for heating rooms up to 2000 Sq Ft

Certified at 1.8 g/h, this non-catalytic unit offers a flue outlet at the back and on the top of the stove. In addition to a large viewing area, the Lynwood – W76 has a full width andiron for holding logs during loading.

All of its charm can be attributed to its classic design and the distinguished cast iron finish

FEATURES

- 21" logs
- 2 ft³ firebox volume
- EPA Certified
- Made in Belgium
- Limited lifetime warranty
- Certified for mobile home and alcove installation
- Weight: 424 lbs
- Up to 8 hrs of burn time

DECORATIVE MEDIA & ACCESSORIES

- **Included Media** – Ash drawer, ceramic glass, ash lip, broad-spectrum air damper. **Optional:** Heat Shield

PART NUMBER	DESCRIPTION	2025 MSRP
Lynwood-W76	Lynwood W76 - Cast Iron Wood Burning Stove	\$4,395.00
70.02791.000	Reduce Clearance Heat Shield	\$299.00





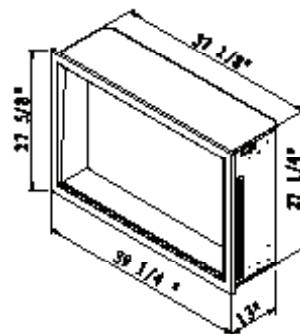
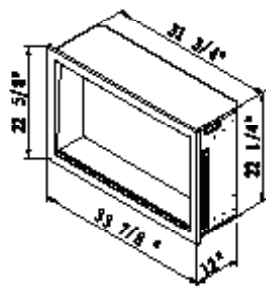
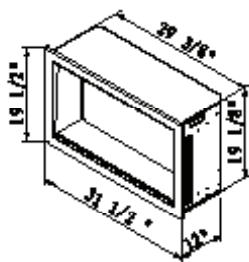
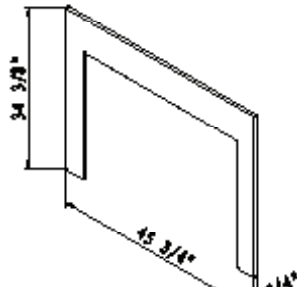
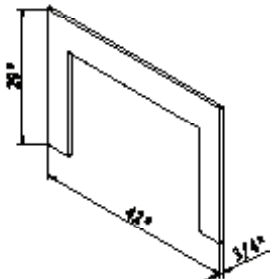
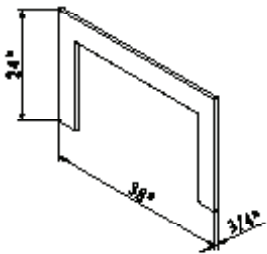
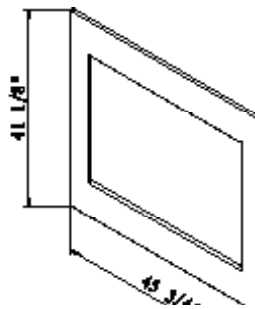
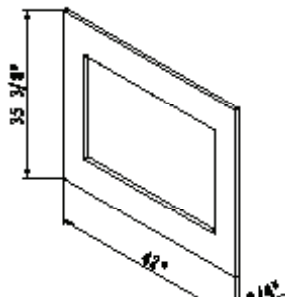
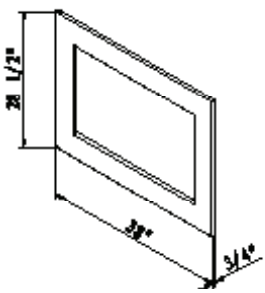
TRD-38-BESPOKE INSERT 3 Sided Trim

TECH SPECIFICATIONS

TRD-30-Bespoke

TRD-33-Bespoke

TRD-38-Bespoke



FEATURES



- 5 Year Warranty
- Fire & Sound – Two (2) quality audio speakers deliver a fire crackling sound. The audio is an ON/OFF feature that can be controlled through the WiFi app.
- WiFi compatible to connect and control the fireplace from your smartphone with the use of our app. Available on the Google play store and the Apple App Store.
- Bluetooth Connectivity – Featuring a fireplace with high quality audio from Bluetooth speakers. Simply pair your phone with the fireplace and press play on your smartphone.
- Programmable timer & thermostat allows you to decide the temperature of the room. Set the fireplace to turn on before you arrive home or have it automatically turn on when the weather is cold.
- 1465W 5120 BTU, heats up to 500 Sq. Ft
- 50000 hours lifetime LED light source
- Approved for Outdoor Installations*
- Designed with front flow heating and hidden venting so that the unit can be recessed or semi flush mounted.
- A clean reduced trim kit allows for a large viewing area with true lifelike flames that can not be rivaled.
- Adjustable flame brightness and speed that can be turned on separately.
- Adjustable ember bed colors that allow for the possibility of auto mixing thousands of colors.
- Most quiet and reliable components in the industry
- Patented thermostatic remote comes included
- Masonry finish to trim option
- Smart Room Temperature Control - 59°F - 82°F or 15°C - 28°C

DECORATIVE MEDIA & ACCESSORIES

Models come with a choice of a Design Media Kit – Driftwood, Birch, Rustic, 18 Piece Oak, Split Log, 12 Piece Oak or Ice Media



YOUR CHOICE:



DESIGN-MEDIA-BIRCH-15PCE



DESIGN-MEDIA-DRIFT-15PCE



DESIGN-MEDIA-RUSTIC-14PCE



DESIGN-MEDIA-SPLIT-LOG-16PCE



DESIGN-MEDIA-OAK-18PCE



DESIGN-MEDIA-OAK-12PCE-LG



ICE-MEDIA-FI-109-DIAMOND

*Manufacturer guidelines regarding outdoor installation must be followed. Please refer to the owner's manual for additional information

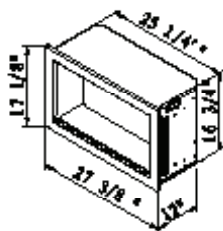
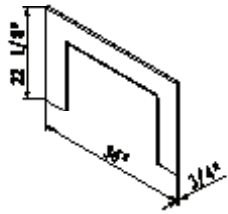
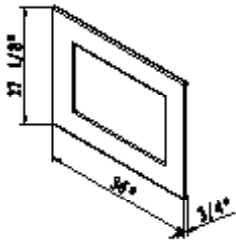
PART NUMBER	DESCRIPTION	2025 MSRP
TRD-30-BESPOKE	Traditional Bespoke - 30" Indoor / Outdoor Electric Insert Featuring, WiFi Compatibility, Bluetooth Connectivity, Multi Function Remote, and a Selection of Media Options	\$2,699.00
TRD-30-3	Traditional - 3 Sided Trim Kit for the TRD-30	\$299.00
TRD-30-4	Traditional - 4 Sided Trim Kit for the TRD-30	\$399.00
TRD-33-BESPOKE	Traditional Bespoke - 33" Indoor / Outdoor Electric Insert featuring Smart Phone Compatibility, WiFi Connectivity, MultiFunction Remote, and a Selection of Media Options	\$2,999.00
TRD-33-3	Traditional - 3 Sided Trim Kit for the TRD-33	\$299.00
TRD-33-4	Traditional - 4 Sided Trim Kit for the TRD-33	\$399.00
TRD-38-BESPOKE	Traditional Bespoke - 38" Indoor / Outdoor Electric Insert featuring Smart Phone Compatibility, WiFi Connectivity, MultiFunction Remote, and a Selection of Media Options	\$3,399.00
TRD-38-3	Traditional - 3 Sided Trim Kit for the TRD-38	\$299.00
TRD-38-4	Traditional - 4 Sided Trim Kit for the TRD-38	\$399.00
AMTR33T	Square trim for TRD-33	\$329.00
AMTR38T	Square trim for TRD-38	\$359.00
AMTR33A	Arch trim for TRD-33	\$329.00
AMTR38A	Arch trim for TRD-38	\$359.00
DESIGN-MEDIA-15PCE	DRIFTWOOD - 15 Piece Deluxe Media Kit Includes: 15 logs, stones, pebbles & embers	Dealer's Choice
DESIGN-MEDIA-BIRCH-15PCE	BIRCH - 15 Piece Deluxe Media Kit Includes: 15 logs, stones, pebbles & embers	Dealer's Choice
DESIGN-MEDIA-14PCE	RUSTIC - 14 Piece Deluxe Media Kit Includes: 14 logs, stones, pebbles & embers	Dealer's Choice
DESIGN-MEDIA-SPLIT-LOG-16PCE	SPLIT LOG - 16 Piece Deluxe Media Kit Includes: 16 logs, stones, pebbles & embers	Dealer's Choice
DESIGN-MEDIA-OAK-18PCE	OAK - 18 Piece Deluxe Media Kit Includes: 18 logs, stones, pebbles & embers	Dealer's Choice
Fi-109-Diamond	Ice Media Kit Includes: 3 large glass rocks, 95 clear diamond media, 10 blue diamond media and a package of clear acrylic media	Dealer's Choice



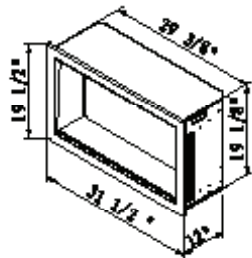
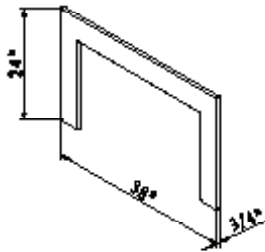
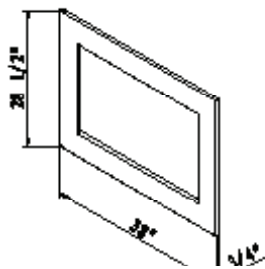
TRD-LUMINA Insert 4 Sided Trim Birch Media

TECH SPECIFICATIONS

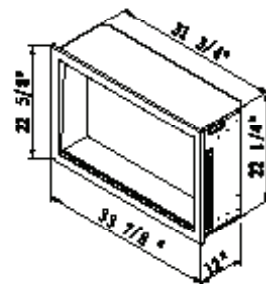
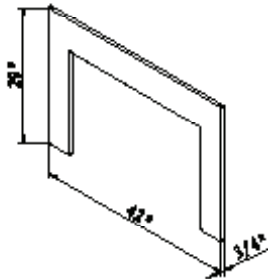
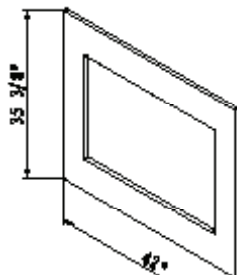
TRD-26 Lumina



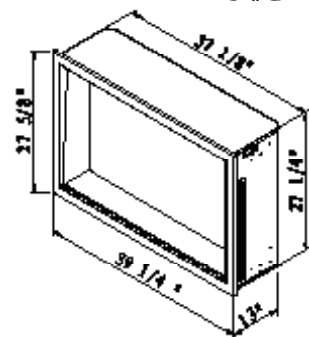
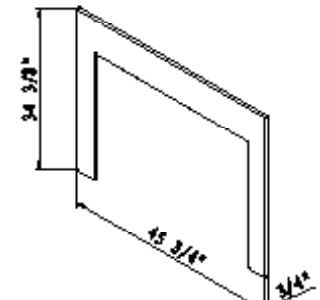
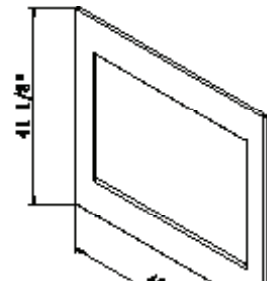
TRD-30 Lumina



TRD-33 Lumina



TRD-38 Lumina



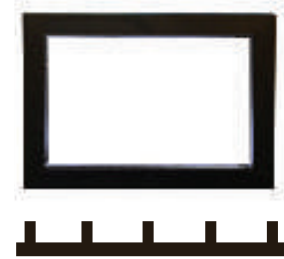
FEATURES



- 2 Year Warranty
- WiFi compatible to connect and control the fireplace from your smartphone with the use of our app. Available on the Google play store and the Apple App Store.
- Programmable timer & thermostat allows you to decide the temperature of the room. Set the fireplace to turn on before you arrive home or have it automatically turn on when the weather is cold.
- Smart Room Temperature Control - 59°F - 82°F or 15°C - 28°C
- 1465W 5000 BTU, heats up to 500 Sq. Ft.
- 50000 hours lifetime LED light source
- Approved for Outdoor Installations*
- Designed with front flow heating and hidden venting so that the unit can be recessed or semi flush mounted
- A clean reduced trim kit allows for a large viewing area with true lifelike flames that can not be rivaled.
- Adjustable flame brightness and speed that can be turned on separately.
- Adjustable ember bed colors that allow for the possibility of auto mixing thousands of colors.
- Most quiet and reliable components in the industry
- Patented thermostatic remote comes included
- Masonry finish to trim option or Insert surround option

DECORATIVE MEDIA & ACCESSORIES

Models come with Design Media Oak LG 12PCE, trim, 2 small bags of vermiculite, clear fireglass, remote and grate

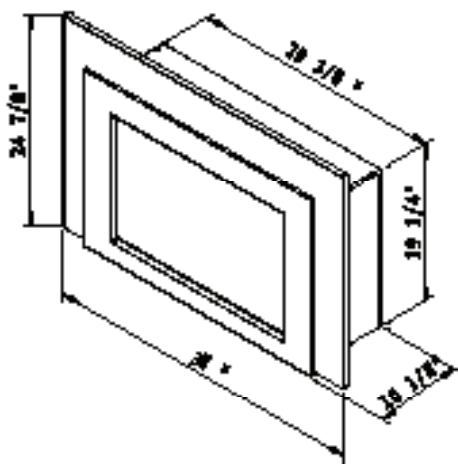


PART NUMBER	DESCRIPTION	2025 MSRP
TRD-26-Lumina	Traditional Lumina Electric 26" Indoor / Outdoor WiFi Enabled Insert, Featuring a Multi-Function Remote Control , Multi Speed Flame Motor and a 10 piece Birch Log Set	\$1,499.00
TRD-26-3	Traditional - 3 Sided Trim Kit for the TRD-26	\$299.00
TRD-26-4	Traditional - 4 Sided Trim Kit for the TRD-26	\$399.00
TRD-30-Lumina	Traditional Lumina Electric 30" Indoor / Outdoor WiFi Enabled Insert, Featuring a Multi-Function Remote Control , Multi Speed Flame Motor and a 10 piece Birch Log Set	\$1,799.00
TRD-30-3	Traditional - 3 Sided Trim Kit for the TRD-30	\$299.00
TRD-30-4	Traditional - 4 Sided Trim Kit for the TRD-30	\$399.00
TRD-33-Lumina	Traditional Lumina Electric 33" Indoor / Outdoor WiFi Enabled Insert, Featuring a Multi-Function Remote Control , Multi Speed Flame Motor and a 10 piece Birch Log Set	\$1,999.00
TRD-33-3	Traditional - 3 Sided Trim Kit for the TRD-33	\$299.00
TRD-33-4	Traditional - 4 Sided Trim Kit for the TRD-33	\$399.00
TRD-38-Lumina	Traditional Lumina Electric 38" Indoor / Outdoor WiFi Enabled Insert, Featuring a Multi-Function Remote Control , Multi Speed Flame Motor and a 10 piece Birch Log Set	\$2,399.00
TRD-38-3	Traditional - 3 Sided Trim Kit for the TRD-38	\$299.00
TRD-38-4	Traditional - 4 Sided Trim Kit for the TRD-38	\$399.00
AMTR33T	Square trim for TRD-33	\$329.00
AMTR38T	Square trim for TRD-38	\$359.00
AMTR33A	Arch trim for TRD-33	\$329.00
AMTR38A	Arch trim for TRD-38	\$359.00

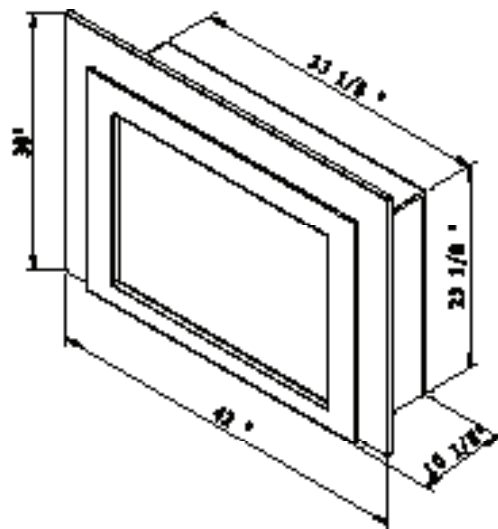


INS-FM-30 10PCE Drift

TECH SPECIFICATIONS



INS-FM-30



INS-FM-34

FEATURES

- Great alternative for wood or gas inserts
- Perfect for renovations or retrofits
- 2 popular sizes
- Heat is vented upwards from overlay
- Hard-wire ready
- Stunning 'Gradient' Flame
- Black Steel surround
- No grills
- 4 stage front and 4 stage internal back lighting
- Latest LED light technology
- Front and rear control for flame and heater included
- Can produce up to 5000 BTU of heat, enough to heat up to 500 sq feet
- Flame operates with or without heat
- Remote control for flame and heater
- 4 leveling legs on the underside
- Plug on the left side

DECORATIVE MEDIA & ACCESSORIES

- Included Media – Log Set and Sable Media included



- Included Media for Lumina – 12 Piece Oak Med Log Set and a remote



DESIGN-MEDIA-OAK-12PCE-MD



PART NUMBER	DESCRIPTION	2025 MSRP
INS-FM-30	Insert Series - 30" Electric Fireplace Insert with Black Steel Surround and Overlay	\$2,199.00
INS-FM-34	Insert Series - 34" Electric Fireplace Insert with Black Steel Surround and Overlay	\$2,399.00



INS-FM-34 Split Log-set



INS-FM-34 Birch Log-set



TRU-65-BESPOKE 16PCE Split

DECORATIVE MEDIA & ACCESSORIES

- **Included Media** – Models come with a choice of a Design Media Kit – Driftwood, Birch, Rustic, 18 Piece Oak, Split Log, 12 Piece Oak or Ice Media



DESIGN-MEDIA-BIRCH-15PCE



DESIGN-MEDIA-DRIFT-15PCE



DESIGN-MEDIA-RUSTIC-14PCE



DESIGN-MEDIA-SPLIT-LOG-16PCE



DESIGN-MEDIA-OAK-18PCE



ICE-MEDIA-FI-109-DIAMOND



ADDITIONAL FEATURES

- Available in sizes 45", 55", 65", 75" and 85"
- Biggest and the Best - 20" Viewing area
- Double the heat output from 5000 to 10,000, when two units are joined together on 120V
- TRV 45 comes with 1 heater fan, Max 5000 BTU on 120V
- The TRV 55, 65, 75 & 85 come with 2 heater fans, Max 5000 BTU on 120V, or 10,000 BTU on 240V
- Electrical & BTU 120V, 1500W, 12.5 A and 5,000 BTU
240V, 2500W, 10.4 A and 10,000 BTU
2 units together 240V, 20,000 BTU

TRU-VIEW SERIES | TRU-VIEW BESPOKE



FEATURES



- 5 Year Warranty
- Fire & Sound – Two (2) quality audio speakers deliver a fire crackling sound. The audio is an ON/OFF feature that can be controlled through the WiFi app.
- WiFi compatible to connect and control the fireplace from your smartphone with the use of our app. Available on the Google play store and the Apple App Store.
- Bluetooth Connectivity – Featuring a fireplace with high quality audio from Bluetooth speakers. Simply pair your phone with the fireplace and press play on your smartphone.
- Programmable timer & thermostat allows you to decide the temperature of the room. Set the fireplace to turn on before you arrive home or have it automatically turn on when the weather is cold.
- Smart Room Temperature Control - 59°F - 82°F or 15°C - 28°C
- 1465W 5000 BTU, heats up to 500 Sq. Ft. May also be wired up to 220 volts to increase the BTU output to 10,000 and heats up to 800-1,000 Sq. Ft.
- 50000 hours lifetime LED light source
- Approved for Outdoor Installations*
- Designed with front flow heating and hidden venting so that the unit can be recessed or semi flush mounted.
- A clean reduced trim kit allows for a large viewing area with true lifelike flames that can not be rivaled.
- Adjustable flame brightness and speed that can be turned on separately.
- Adjustable ember bed colors that allow for the possibility of auto mixing thousands of colors
- Most quiet and reliable components in the industry
- Patented thermostatic remote comes included
- Masonry finish to trim option



TRV-65-BESPOKE- 15PCE BIRCH



TRV-65-BESPOKE- 16PCE SPLIT

*Manufacturer guidelines regarding outdoor installation must be followed. Please refer to the owner's manual for additional information

PART NUMBER	DESCRIPTION	2025 MSRP
TRV-45-BESPOKE	Tru View Bespoke - 45" Indoor / Outdoor 3 Sided Electric Fireplace Featuring a 20" Height, WiFi Compatibility, Bluetooth Connectivity, Multi Function Remote, and a Selection of Media Options	\$3,699.00
TRV-55-BESPOKE	Tru View Bespoke - 55" Indoor / Outdoor 3 Sided Electric Fireplace Featuring a 20" Height, WiFi Compatibility, Bluetooth Connectivity, Multi Function Remote, and a Selection of Media Options	\$4,099.00
TRV-65-BESPOKE	Tru View Bespoke - 65" Indoor / Outdoor 3 Sided Electric Fireplace Featuring a 20" Height, WiFi Compatibility, Bluetooth Connectivity, Multi Function Remote, and a Selection of Media Options	\$4,699.00
TRV-75-BESPOKE	Tru View Bespoke - 75" Indoor / Outdoor 3 Sided Electric Fireplace Featuring a 20" Height, WiFi Compatibility, Bluetooth Connectivity, Multi Function Remote, and a Selection of Media Options	\$4,899.00
TRV-85-BESPOKE	Tru View Bespoke - 85" Indoor / Outdoor 3 Sided Electric Fireplace Featuring a 20" Height, WiFi Compatibility, Bluetooth Connectivity, Multi Function Remote, and a Selection of Media Options	\$5,299.00
DESIGN-MEDIA-15PCE	DRIFTWOOD - 15 Piece Deluxe Media Kit Includes: 15 logs, stones, pebbles & embers	Dealer's Choice
DESIGN-MEDIA-BIRCH-15PCE	BIRCH - 15 Piece Deluxe Media Kit Includes: 15 logs, stones, pebbles & embers	Dealer's Choice
DESIGN-MEDIA-14PCE	RUSTIC - 14 Piece Deluxe Media Kit Includes: 14 logs, stones, pebbles & embers	Dealer's Choice
DESIGN-MEDIA-SPLIT-LOG-16PCE	SPLIT LOG - 16 Piece Deluxe Media Kit Includes: 16 logs, stones, pebbles & embers	Dealer's Choice
DESIGN-MEDIA-OAK-18PCE	OAK - 18 Piece Deluxe Media Kit Includes: 18 logs, stones, pebbles & embers	Dealer's Choice
FI-109-Diamond	Ice Media Kit Includes: 3 large glass rocks, 95 clear diamond media, 10 blue diamond media and a package of clear acrylic media	Dealer's Choice
0004046N	Tru View Bespoke Canopy Light Addition for Connecting 2 Units	\$59.00

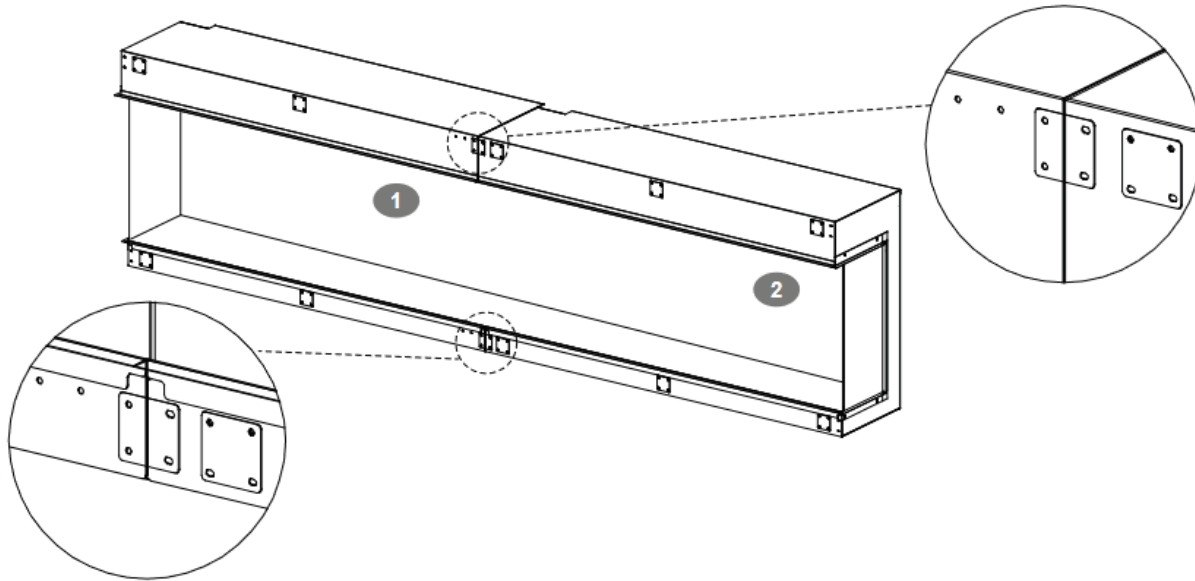
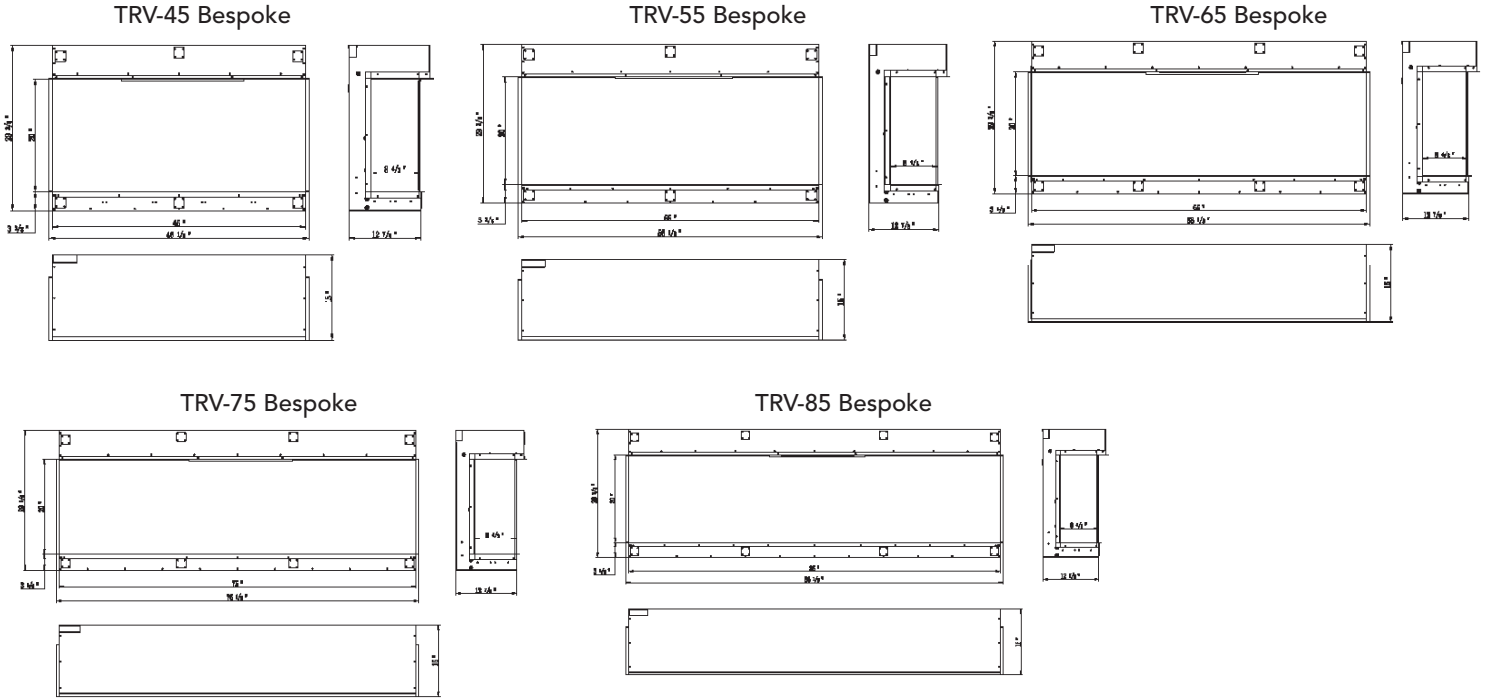
TRU-VIEW SERIES | MODULAR VERSION CONNECTION *New *Amantii*

TRV-45-BESPOKE TWO COMBINED for 90" featuring Two Rustic Log-sets



TRU-65-BESPOKE 16PCE Split

TECH SPECIFICATIONS



Any of the units can be combined, providing endless possibilities.

45" & 45" for 90"
 45" & 55" for 100"
 45" & 65" for 110"
 45" & 75" for 120"
 45" & 85" for 130"
 55" & 45" for 100"
 55" & 55" for 110"
 55" & 65" for 120"
 55" & 75" for 130"

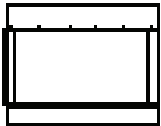
55" & 85" for 140"
 65" & 45" for 110"
 65" & 55" for 120"
 65" & 65" for 130"
 65" & 75" for 140"
 65" & 85" for 150"
 75" & 45" for 120"
 75" & 55" for 130"
 75" & 65" for 140"

75" & 75" for 150"
 75" & 85" for 160"
 85" & 45" for 130"
 85" & 55" for 140"
 85" & 65" for 150"
 85" & 75" for 160"
 85" & 85" for 170"

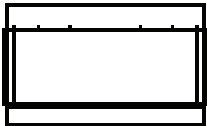


TECH SPECIFICATIONS

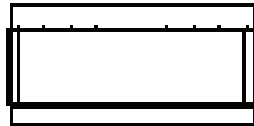
30 TRV SLIM



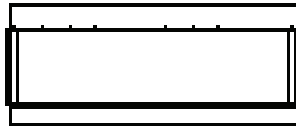
40 TRV SLIM



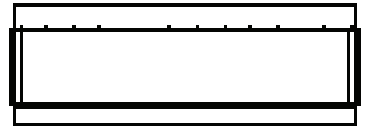
50 TRV SLIM



60 TRV SLIM



72 TRV SLIM



FLAME PRESENTATION



Yellow Flame



Orange Flame



Red Flame

FEATURES 

- 3-sided built-in electric fireplace
- WiFi Compatible to connect and control the fireplace from your smartphone with the use of our app. Available on the Google Play Store and Apple App Store
- Three speed flame motor
- Heat output 5000 BTU
- No unsightly venting and grills seen. A true clean and vent free look
- Programmable timer & thermostat allows you to decide the temperature of the room. Set your fireplace to turn on before you arrive home or have it automatically turn on when the weather is cold.
- Touch pad for convenient control

- of the features and temperature display from the fireplace.
- Choose from combinations of yellow, orange and red colored flames
- Approved for indoor or outdoor applications.*
- Choose from 11 color settings of canopy lighting (10 colors and a cycle thru setting)
- Two flame pattern styles – standard and more traditional
- New patented thermostatic remote comes included

DECORATIVE MEDIA & ACCESSORIES

- **Included Media for the Smart**– 10 Piece Birch Log Set, 2 colors of real fireglass and 2 colors of vermiculite



Important: Finishing materials are to be built flush to the lip for a clean face finish. No trim or surround is included.

*Manufacturer guidelines regarding outdoor installation must be followed. Please refer to the owner's manual for additional information

PART NUMBER	DESCRIPTION	2025 MSRP
30-TRV-SLIM	Trv View Slim - 30" Indoor / Outdoor 3 Sided Electric Fireplace Featuring 10 5/8" Depth	\$2,499.00
40-TRV-SLIM	Trv View Slim - 40" Indoor / Outdoor 3 Sided Electric Fireplace Featuring 10 5/8" Depth	\$2,699.00
50-TRV-SLIM	Trv View Slim Smart Electric - 50" Indoor / Outdoor WiFi Enabled 3 Sided Fireplace Featuring a depth of 10 5/8", MultiFunction Remote Control, Multi Speed Flame Motor, and a 10 piece Birch Log Set	SOLD OUT
60-TRV-SLIM	Trv View Slim Smart Electric - 60" Indoor / Outdoor WiFi Enabled 3 Sided Fireplace Featuring a depth of 10 5/8", MultiFunction Remote Control, Multi Speed Flame Motor, and a 10 piece Birch Log Set	\$3,099.00
72-TRV-SLIM	Trv View Slim Smart Electric - 72" Indoor / Outdoor WiFi Enabled 3 Sided Fireplace Featuring a depth of 10 5/8", MultiFunction Remote Control, Multi Speed Flame Motor, and a 10 piece Birch Log Set	SOLD OUT



72-TRV-SLIM LUMINA 12PCE BIRCH

FEATURES



- 3-sided built-in electric fireplace
- WiFi Compatible to connect and control the fireplace from your smartphone with the use of our app. Available on the Google Play Store and Apple App Store
- Three speed flame motor
- Heat output 5000 BTU
- No unsightly venting and grills seen. A true clean and vent free look
- Programmable timer & thermostat allows you to decide the temperature of the room. Set your fireplace to turn on before you arrive home or have it automatically turn on when the weather is cold.
- Touch pad for convenient control of the features and temperature display from the fireplace.
- Choose from combinations of yellow, orange and red colored flames
- Approved for indoor or outdoor applications.*
- Choose from 11 color settings of canopy lighting (10 colors and a cycle thru setting)
- Two flame pattern styles – standard and more traditional
- New patented thermostatic remote comes included

Important: Finishing materials are to be built flush to the lip for a clean face finish. No trim or surround is included.

DECORATIVE MEDIA & ACCESSORIES

- Included Media for the Smart- 12 Piece OAK LRG Log Set, 2 colors of real fireglass and 2 colors of vermiculite



DESIGN-MEDIA-OAK-12PCE-LG

*Manufacturer guidelines regarding outdoor installation must be followed. Please refer to the owner's manual for additional information

PART NUMBER	DESCRIPTION	2025 MSRP
30-TRV-SLIM-LUMI-NA	Tru View Slim Lumina - 30" Indoor / Outdoor 3 Sided Smart Electric Fireplace, WiFi Enabled, Programable Remote Control, Multi Flame Speeds, Comes with Real Glass, Oak Logs and Glowing Log Media	Coming Soon
40-TRV-SLIM-LUMI-NA	Tru View Slim Lumina - 40" Indoor / Outdoor 3 Sided Smart Electric Fireplace, WiFi Enabled, Programable Remote Control, Multi Flame Speeds, Comes with Real Glass, Oak Logs and Glowing Log Media	Coming Soon
50-TRV-SLIM-LUMI-NA	Tru View Slim Lumina - 50" Indoor / Outdoor 3 Sided Smart Electric Fireplace, WiFi Enabled, Programable Remote Control, Multi Flame Speeds, Comes with Real Glass, Oak Logs and Glowing Log Media	\$2,799.00
60-TRV-SLIM-LUMI-NA	Tru View Slim Lumina - 60" Indoor / Outdoor 3 Sided Smart Electric Fireplace, WiFi Enabled, Programable Remote Control, Multi Flame Speeds, Comes with Real Glass, Oak Logs and Glowing Log Media	Coming Soon
72-TRV-SLIM-LUMI-NA	Tru View Slim Lumina - 72" Indoor / Outdoor 3 Sided Smart Electric Fireplace, WiFi Enabled, Programable Remote Control, Multi Flame Speeds, Comes with Real Glass, Oak Logs and Glowing Log Media	\$3,899.00



72-TRV-SLIM LUMINA 109 ICE MEDIA



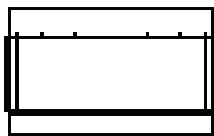
60-TRU-VIEW-XL 15PCE Birch

FEATURES

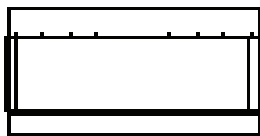
- 3-sided built-in electric fireplace
- WiFi Compatible to connect and control the fireplace from your smartphone with the use of our app. Available on the Google Play Store and Apple App Store
- Three speed flame motor
- Heat output 5000 BTU
- No unsightly venting and grills seen. A true clean and vent free look
- Programmable timer & thermostat allows you to decide the temperature of the room. Set your fireplace to turn on before you arrive home or have it automatically turn on when the weather is cold.
- Touch pad for convenient control of the features and temperature dip from the fireplace.
- Choose from combinations of yellow, orange and red colored flames
- Approved for indoor or outdoor applications.*
- Choose from 11 color settings of canopy lighting (10 colors and a cycl-thru setting)
- Two flame pattern styles – standard and more traditional
- New patented thermostatic remote comes included



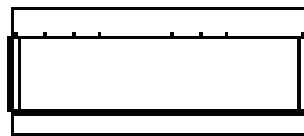
40 TRV XL DEEP



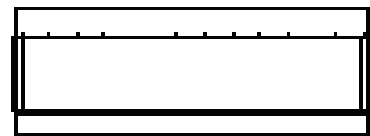
50 TRV XL DEEP



60 TRV XL DEEP



72 TRV XL DEEP




Important: Finishing materials are to be built flush to the lip for a clean face finish. No trim or surround is included.

DECORATIVE MEDIA & ACCESSORIES


Models come with a choice of a Design Media kit - Driftwood, Birch or Rustic, Oak 18PCE, Split, 12PCE Oak, or ICE media

NOTE: Design Media kits are shipped in a separate box at no charge


YOUR CHOICE:




DESIGN-MEDIA-BIRCH-15PCE




DESIGN-MEDIA-DRIFT-15PCE




DESIGN-MEDIA-RUSTIC-14PCE




DESIGN-MEDIA-SPLIT-LOG-16PCE



DESIGN-MEDIA-OAK-18PCE



ICE-MEDIA-FI-109-DIAMOND



*Manufacturer guidelines regarding outdoor installation must be followed. Please refer to the owner's manual for additional information

PART NUMBER	DESCRIPTION	2025 MSRP
40-TRU-VIEW-XL	Tru View Deep Smart Electric - 40" Indoor / Outdoor WiFi Enabled 3 Sided Fire-place Featuring a depth of 14 1/4", MultiFunction Remote Control, Multi Speed Flame Motor, and a Selection of Media Options	\$2,999.00
50-TRU-VIEW-XL	Tru View Deep Smart Electric - 50" Indoor / Outdoor WiFi Enabled 3 Sided Fire-place Featuring a depth of 14 1/4", MultiFunction Remote Control, Multi Speed Flame Motor, and a Selection of Media Options	\$3,599.00
60-TRU-VIEW-XL	Tru View Deep Smart Electric - 60" Indoor / Outdoor WiFi Enabled 3 Sided Fire-place Featuring a depth of 14 1/4", MultiFunction Remote Control, Multi Speed Flame Motor, and a Selection of Media Options	\$3,999.00
72-TRU-VIEW-XL	Tru View Deep Smart Electric - 72" Indoor / Outdoor WiFi Enabled 3 Sided Fire-place Featuring a depth of 14 1/4", MultiFunction Remote Control, Multi Speed Flame Motor, and a Selection of Media Options	\$4,399.00
DESIGN-MEDIA-15PCE	DRIFTWOOD - 15 Piece Deluxe Media Kit Includes: 15 logs, stones, pebbles & embers	Dealer's Choice
DESIGN-MEDIA-BIRCH-15PCE	BIRCH - 15 Piece Deluxe Media Kit Includes: 15 logs, stones, pebbles & embers	Dealer's Choice
DESIGN-MEDIA-14PCE	RUSTIC - 14 Piece Deluxe Media Kit Includes: 14 logs, stones, pebbles & embers	Dealer's Choice
DESIGN-MEDIA-SPLIT-LOG-16PCE	SPLIT LOG - 16 Piece Deluxe Media Kit Includes: 16 logs, stones, pebbles & embers	Dealer's Choice
DESIGN-MEDIA-OAK-18PCE	OAK - 18 Piece Deluxe Media Kit Includes: 18 logs, stones, pebbles & embers	Dealer's Choice
FI-109-Diamond	Ice Media Kit Includes: 3 large glass rocks, 95 clear diamond media, 10 blue diamond media and a package of clear acrylic media	Dealer's Choice



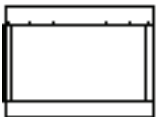
88-TRV-XT-XL-LUMINA 18PCE Oak

FEATURES

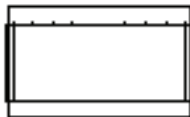
- 3-sided built-in electric fireplace
- WiFi Compatible to connect and control the fireplace from your smart-phone with the use of our app. Available on the Google Play Store and Apple App Store
- Three speed flame motor
- Heat output 5000 BTU
- No unsightly venting and grills seen. A true clean and vent free look
- Programmable timer & thermostat allows you to decide the temperature of the room. Set your fireplace to turn on before you arrive home or have it automatically turn on when the weather is cold.
- Touch pad for convenient control of the features and temperature display from the fireplace.
- Choose from combinations of yellow, orange and red colored flames
- Approved for indoor or outdoor applications.*
- Choose from 11 color settings of canopy lighting (10 colors and a cycle thru setting)
- Two flame pattern styles – standard and more traditional
- New patented thermostatic remote comes included



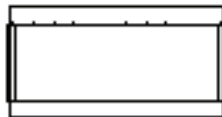
40 TRV XL XT



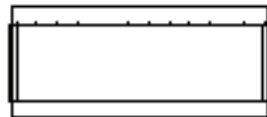
50 TRV XL XT



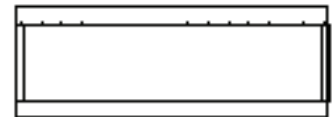
60 TRV XL XT



72 TRV XL XT



88 TRV XL XT



Important: Finishing materials are to built flush to the lip for a clean face finish. No trim or surround is included.

DECORATIVE MEDIA & ACCESSORIES

Models come with a choice of a Design Media kit - Driftwood, Birch or Rustic, Oak 18PCE, Split, 12PCE Oak, or ICE media

NOTE: Design Media kits are shipped in a separate box at no charge



*Manufacturer guidelines regarding outdoor installation must be followed. Please refer to the owner’s manual for additional information

PART NUMBER	DESCRIPTION	2025 MSRP
40-TRV-XT-XL	Trv View Extra Tall Smart Electric - 40" Indoor / Outdoor WiFi Enabled 3 Sided Electric Fireplace Featuring a 22" Height, MultiFunction Remote, Multi Speed Flame Motor, and a Selection of Media Options	\$3,499.00
50-TRV-XT-XL	Trv View Extra Tall Smart Electric - 50" Indoor / Outdoor WiFi Enabled 3 Sided Electric Fireplace Featuring a 22" Height, MultiFunction Remote, Multi Speed Flame Motor, and a Selection of Media Options	\$3,899.00
60-TRV-XT-XL	Trv View Extra Tall Smart Electric - 60" Indoor / Outdoor WiFi Enabled 3 Sided Electric Fireplace Featuring a 22" Height, MultiFunction Remote, Multi Speed Flame Motor, and a Selection of Media Options	\$4,399.00
72-TRV-XT-XL	Trv View Extra Tall Smart Electric - 70" Indoor / Outdoor WiFi Enabled 3 Sided Electric Fireplace Featuring a 22" Height, MultiFunction Remote, Multi Speed Flame Motor, and a Selection of Media Options	\$4,699.00
88-TRV-XT-XL	Trv View Extra Tall Smart Electric - 88" Indoor / Outdoor WiFi Enabled 3 Sided Electric Fireplace Featuring a 22" Height, MultiFunction Remote, Multi Speed Flame Motor, and a Selection of Media Options	SOLD OUT
DESIGN-MEDIA-15PCE	DRIFTWOOD - 15 Piece Deluxe Media Kit Includes: 15 logs, stones, pebbles & embers	Dealer's Choice
DESIGN-MEDIA-BIRCH-15PCE	BIRCH - 15 Piece Deluxe Media Kit Includes: 15 logs, stones, pebbles & embers	Dealer's Choice
DESIGN-MEDIA-14PCE	RUSTIC - 14 Piece Deluxe Media Kit Includes: 14 logs, stones, pebbles & embers	Dealer's Choice
DESIGN-MEDIA-SPLIT-LOG-16PCE	SPLIT LOG - 16 Piece Deluxe Media Kit Includes: 16 logs, stones, pebbles & embers	Dealer's Choice
DESIGN-MEDIA-OAK-18PCE	OAK - 18 Piece Deluxe Media Kit Includes: 18 logs, stones, pebbles & embers	Dealer's Choice
Fi-109-Diamond	Ice Media Kit Includes: 3 large glass rocks, 95 clear diamond media, 10 blue diamond media and a package of clear acrylic media	Dealer's Choice



88-TRV-XT-XL-LUMINA 18PCE Oak

FEATURES



- Panoramic 3-Sided Design – Enjoy a stunning flame view from multiple angles.
- Smart WiFi Control – Connect and operate your fireplace remotely via our app, available on Google Play Store and Apple App Store.
- Adjustable Flame Speed – Three-speed flame motor for a dynamic and customizable fire effect.
- Efficient Heating – 5000 BTU heat output for optimal warmth.
- Seamless, Vent-Free Aesthetic – No visible grills or venting for a sleek, modern look.
- Programmable Timer & Thermostat – Set and maintain your ideal room temperature or schedule automatic activation.
- Convenient Touchpad Control – Easily adjust settings and monitor temperature directly from the fireplace.
- Customizable Flame Colors – Create your perfect ambiance with a mix of yellow, orange, and red flames.
- Versatile Indoor & Outdoor Installation – Approved for both indoor and outdoor applications.*
- Vibrant Canopy Lighting – 11 color settings, including 10 solid colors and a color-cycle mode.
- Dual Flame Patterns – Choose between standard or traditional flame styles.
- Patented Thermostatic Remote – Included for effortless temperature and feature control.

FLAME PRESENTATION



Yellow Flame



Orange Flame



Red Flame

Important: Finishing materials are to be built flush to the lip for a clean face finish. No trim or surround is included.

DECORATIVE MEDIA & ACCESSORIES

Models come with a choice of a Design Media kit - Driftwood, Birch or Rustic, Oak 18PCE, Split, 12PCE Oak, or ICE media

NOTE: Design Media kits are shipped in a separate box at no charge

YOUR CHOICE:



DESIGN-MEDIA-BIRCH-15PCE



DESIGN-MEDIA-DRIFT-15PCE



DESIGN-MEDIA-RUSTIC-14PCE



DESIGN-MEDIA-OAK-18PCE



DESIGN-MEDIA-SPLIT-LOG-16PCE



ICE-MEDIA-FI-109-DIAMOND



*Manufacturer guidelines regarding outdoor installation must be followed. Please refer to the owner's manual for additional information

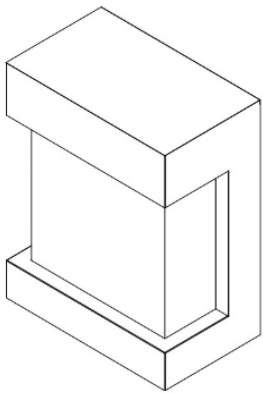
PART NUMBER	DESCRIPTION	2025 MSRP
40-TRV-XT-XL-LUMINA	Tru View Extra Tall Lumina - 40" Indoor / Outdoor 3 Sided Smart Electric Fireplace, WiFi Enabled, Programable Remote Control, Multi Flame Speeds, Comes with Real Glass, Glowing Log Media and a Selection of Media Options	Coming Soon
50-TRV-XT-XL-LUMINA	Tru View Extra Tall Lumina - 50" Indoor / Outdoor 3 Sided Smart Electric Fireplace, WiFi Enabled, Programable Remote Control, Multi Flame Speeds, Comes with Real Glass, Glowing Log Media and a Selection of Media Options	Coming Soon
60-TRV-XT-XL-LUMINA	Tru View Extra Tall Lumina - 60" Indoor / Outdoor 3 Sided Smart Electric Fireplace, WiFi Enabled, Programable Remote Control, Multi Flame Speeds, Comes with Real Glass, Glowing Log Media and a Selection of Media Options	Coming Soon
72-TRV-XT-XL-LUMINA	Tru View Extra Tall Lumina - 72" Indoor / Outdoor 3 Sided Smart Electric Fireplace, WiFi Enabled, Programable Remote Control, Multi Flame Speeds, Comes with Real Glass, Glowing Log Media and a Selection of Media Options	Coming Soon
88-TRV-XT-XL-LUMINA	Tru View Extra Tall Lumina - 88" Indoor / Outdoor 3 Sided Smart Electric Fireplace, WiFi Enabled, Programable Remote Control, Multi Flame Speeds, Comes with Real Glass, Glowing Log Media and a Selection of Media Options	\$4,999.00
DESIGN-MEDIA-15PCE	DRIFTWOOD - 15 Piece Deluxe Media Kit Includes: 15 logs, stones, pebbles & embers	Dealer's Choice
DESIGN-MEDIA-BIRCH-15PCE	BIRCH - 15 Piece Deluxe Media Kit Includes: 15 logs, stones, pebbles & embers	Dealer's Choice
DESIGN-MEDIA-14PCE	RUSTIC - 14 Piece Deluxe Media Kit Includes: 14 logs, stones, pebbles & embers	Dealer's Choice
DESIGN-MEDIA-SPLIT-LOG-16PCE	SPLIT LOG - 16 Piece Deluxe Media Kit Includes: 16 logs, stones, pebbles & embers	Dealer's Choice
DESIGN-MEDIA-OAK-18PCE	OAK - 18 Piece Deluxe Media Kit Includes: 18 logs, stones, pebbles & embers	Dealer's Choice
Fi-109-Diamond	Ice Media Kit Includes: 3 large glass rocks, 95 clear diamond media, 10 blue diamond media and a package of clear acrylic media	Dealer's Choice



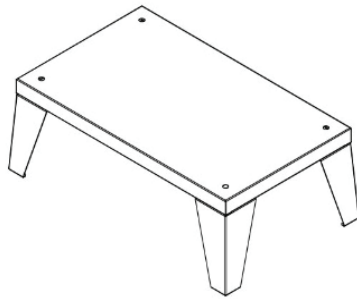
© 2023 ICE Media LUMINA - ICE Media

TECH SPECIFICATIONS

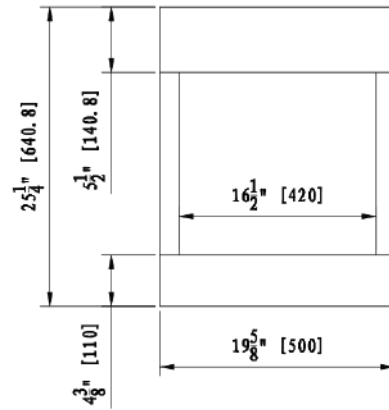
Wall Mount



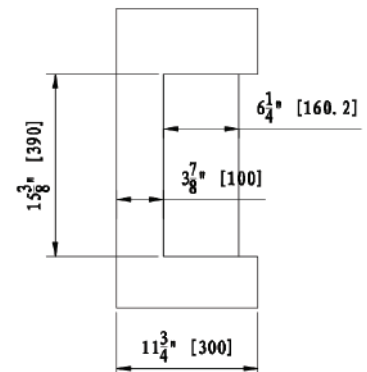
Leg Base



FRONT VIEW



SIDE VIEW



FEATURES



- 3-sided built-in electric fireplace
- WiFi Compatible to connect and control the fireplace from your smartphone with the use of our app. Available on the Google Play Store and Apple App Store
- Three speed flame motor
- Heat output 5000 BTU
- No unsightly venting and grills seen. A true clean and vent free look
- Programmable timer & thermostat allows you to decide the temperature of the room. Set your fireplace to turn on before you arrive home or have it automatically turn on when the weather is cold.
- Touch pad for convenient control

DECORATIVE MEDIA & ACCESSORIES

- **Included Media** – 12 Piece Oak Med Log Set and a remote



DESIGN-MEDIA-OAK-12PCE-MD

*Manufacturer guidelines regarding outdoor installation must be followed. Please refer to the owner's manual for additional information

PART NUMBER	DESCRIPTION	2025 MSRP
CUBE-2025WM-LUMINA	"THE CUBE" - Lumina Smart Electric Fireplace, WiFi Enabled, Programable Remote Control, Multi Flame Speeds, Comes with Glass, Oak Logs and Glowing Log Media	\$1,799.00
Cube-Base-Legs	Pedestal Base for the "The Cube" - attaches to the Cube Unit	\$129.00



DESIGN-MEDIA-OAK-12PCE-XS



DESIGN-MEDIA-OAK-12PCE-XS



BI-40-XTRASLIM MAIN-BIRCH-B-XS40 Natural Birch

FEATURES



- WiFi Compatible to connect and control the fireplace from your smart-phone with the use of our app. Available on the Google Play Store and Apple App Store
- Three speed flame motor
- Heat output 5000 BTU
- No unsightly venting and grills seen. A true clean and vent free look
- Programmable timer & thermostat allows you to decide the temperature of the room. Set your fireplace to turn on before you arrive home or have it automatically turn on when the weather is cold.
- Touch pad for convenient control of the features and temperature display from the fireplace.
- Choose from combinations of yellow, orange and red colored flames
- Approved for indoor or outdoor applications*
- Choose from 11 color settings of canopy lighting (10 colors and a cycle thru setting)
- Two flame pattern styles – standard and more traditional
- New patented thermostatic remote comes included



BI-40-XTRASLIM



BI-40-XTRASLIM

FLAME PRESENTATION



Yellow Flame



Orange Flame



Red Flame

DECORATIVE MEDIA & ACCESSORIES

- Included Media Smart - Clear decorative media, plus a remote.

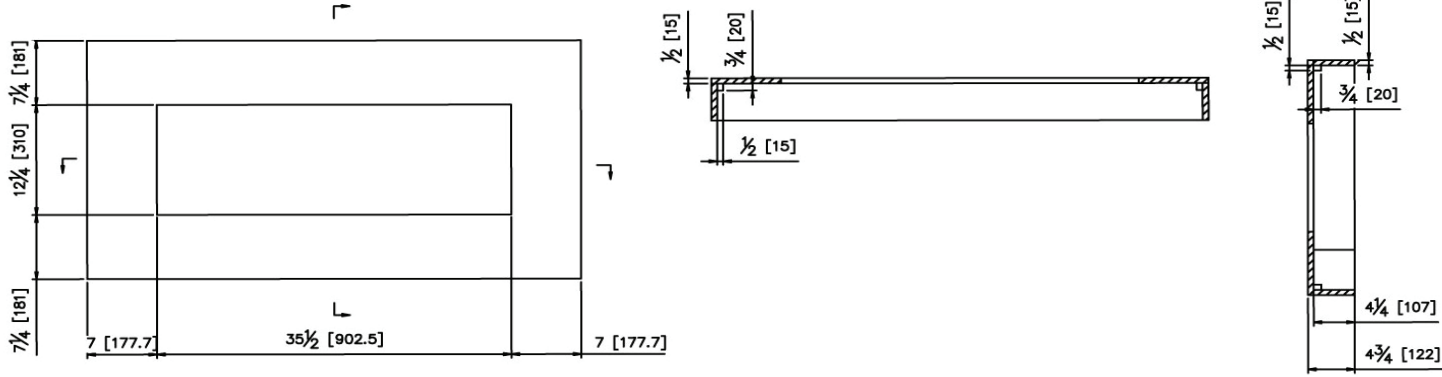


PART NUMBER	DESCRIPTION	2025 MSRP
BI-30-XTRASLIM	Panorama Xtraslim Full View Smart Electric - 30" Indoor /Outdoor WiFi Enabled Fireplace, featuring a MultiFunction Remote, Multi Speed Flame Motor, Glass Media & a Black Trim	\$1,399.00
BI-40-XTRASLIM	Panorama Xtraslim Full View Smart Electric - 40" Indoor /Outdoor WiFi Enabled Fireplace, featuring a MultiFunction Remote, Multi Speed Flame Motor, Glass Media & a Black Trim	\$1,699.00
BI-50-XTRASLIM	Panorama Xtraslim Full View Smart Electric - 50" Indoor /Outdoor WiFi Enabled Fireplace, featuring a MultiFunction Remote, Multi Speed Flame Motor, Glass Media & a Black Trim	SOLD OUT
BI-60-XTRASLIM	Panorama Xtraslim Full View Smart Electric - 60" Indoor /Outdoor WiFi Enabled Fireplace, featuring a MultiFunction Remote, Multi Speed Flame Motor, Glass Media & a Black Trim	\$2,299.00
PAN-COV-40	40" Stainless Steel Fireplace Outdoor Cover - Suitable for Panorama Xtraslim, Slim & Deep Series	\$299.00
PAN-COV-50	50" Stainless Steel Fireplace Outdoor Cover - Suitable for Panorama Xtraslim, Slim & Deep Series	\$399.00
PAN-COV-60	60" Stainless Steel Fireplace Outdoor Cover - Suitable for Panorama Xtraslim, Slim & Deep Series	\$499.00
MAN-BMKB-XS40	Knotty Black Birch Wooden Mantel Surround for BI-40 Xtraslim	\$799.00
MAN-BMGB-XS40	Gray Bark Birch Wooden Mantel Surround for BI-40 Xtraslim	\$799.00
MAN-BMWB-XS40	White Birch Wooden Mantel Surround for BI-40 Xtraslim	\$799.00
MAN-BMNB-XS40	Natural Birch Wooden Mantel Surround for BI-40 Xtraslim	\$799.00



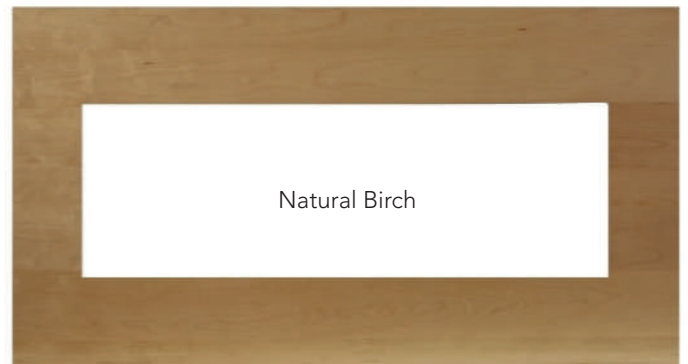
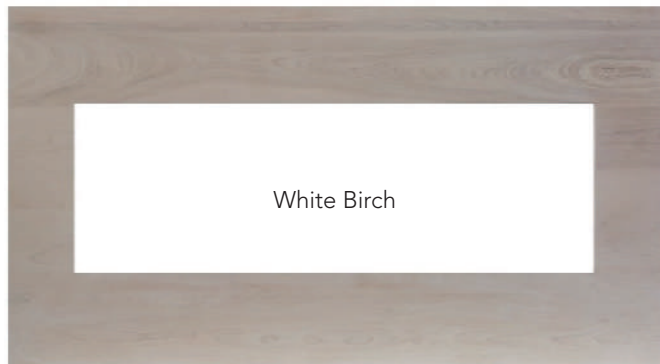
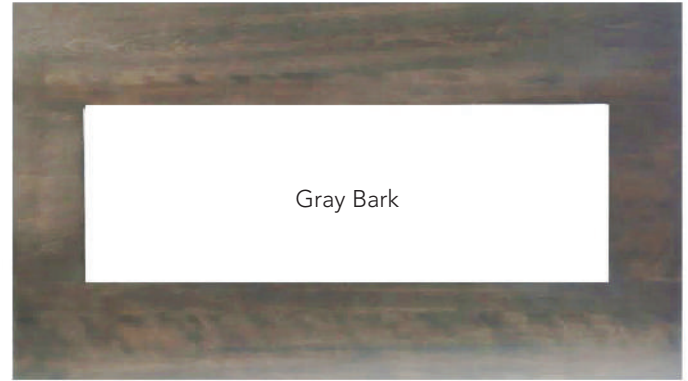
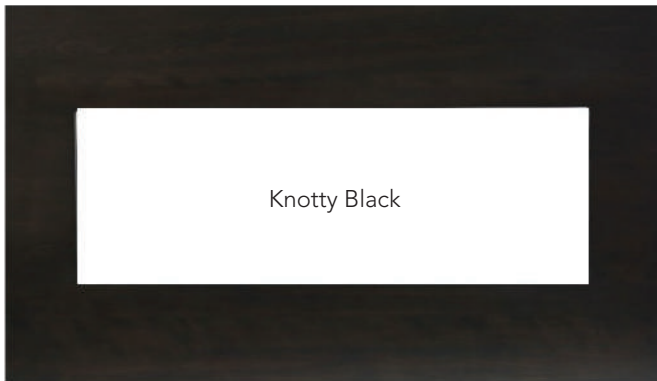
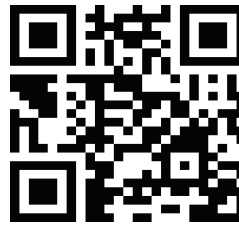
BI-40-XTRASLIM M-11-BMKB-XS40 Natural Birch

TECH SPECIFICATIONS



FEATURES

- Four nature inspired colors to choose from
- Easy installation
- All models are rated for use in kitchens and bathrooms
- Not rated for outdoor use
- Touch up pen included
- Crafted from birch wood



PART NUMBER	DESCRIPTION	2025 MSRP
MAN-BMKB-XS40	Knotty Black Birch Wooden Mantel Surround for BI-40 Xtraslim	\$799.00
MAN-BMGB-XS40	Gray Bark Birch Wooden Mantel Surround for BI-40 Xtraslim	\$799.00
MAN-BMWB-XS40	White Birch Wooden Mantel Surround for BI-40 Xtraslim	\$799.00
MAN-BMNB-XS40	Natural Birch Wooden Mantel Surround for BI-40 Xtraslim	\$799.00



BI-40-XTRASLIM-LUMINA

FEATURES



- WiFi Connectivity – Control your fireplace remotely via our app, available on Google Play Store and Apple App Store.
- Adjustable Flame Speed – Three-speed flame motor for a personalized flame effect.
- Powerful Heating – 5000 BTU heat output for efficient warmth.
- Sleek, Vent-Free Design – No visible grills or venting for a modern, seamless look.
- Programmable Timer & Thermostat – Set and maintain your desired room temperature, or schedule automatic activation based on weather conditions.
- User-Friendly Touchpad – Easily adjust settings and monitor temperature directly from the fireplace.
- Customizable Flame Colors – Choose from a blend of yellow, orange, and red hues.
- Versatile Installation – Approved for both indoor and outdoor applications.*
- Dynamic Canopy Lighting – 11 color settings, including 10 solid colors and a color-cycle mode.
- Two Flame Styles – Select between standard or traditional flame patterns.
- Patented Thermostatic Remote – Included for convenient temperature and feature control.



BI-40-XTRASLIM LUMINA



BI-40-XTRASLIM LUMINA

DECORATIVE MEDIA & ACCESSORIES

- Included Media – Clear decorative media, plus a remote.



*Manufacturer guidelines regarding outdoor installation must be followed. Please refer to the owner's manual for additional information



PART NUMBER	DESCRIPTION	2025 MSRP
BI-30-XTRASLIM-LUMINA	Panorama Xtraslim Lumina - 30" Indoor /Outdoor Built In Full View Smart Electric Fireplace, WiFi Enabled, Programable Remote Control, Multi Flame Speeds, Comes with Glass, Oak Logs, Glowing Log Media and a Black Trim	Coming Soon
BI-40-XTRASLIM-LUMINA	Panorama Xtraslim Lumina - 40" Indoor /Outdoor Built In Full View Smart Electric Fireplace, WiFi Enabled, Programable Remote Control, Multi Flame Speeds, Comes with Glass, Oak Logs, Glowing Log Media and a Black Trim	Coming Soon
BI-50-XTRASLIM-LUMINA	Panorama Xtraslim Lumina - 50" Indoor /Outdoor Built In Full View Smart Electric Fireplace, WiFi Enabled, Programable Remote Control, Multi Flame Speeds, Comes with Glass, Oak Logs, Glowing Log Media and a Black Trim	\$1,999.00
BI-60-XTRASLIM-LUMINA	Panorama Xtraslim Lumina - 60" Indoor /Outdoor Built In Full View Smart Electric Fireplace, WiFi Enabled, Programable Remote Control, Multi Flame Speeds, Comes with Glass, Oak Logs, Glowing Log Media and a Black Trim	Coming Soon
PAN-COV-40	40" Stainless Steel Fireplace Outdoor Cover - Suitable for Panorama Xtraslim, Slim & Deep Series	\$299.00
PAN-COV-50	50" Stainless Steel Fireplace Outdoor Cover - Suitable for Panorama Xtraslim, Slim & Deep Series	\$399.00
PAN-COV-60	60" Stainless Steel Fireplace Outdoor Cover - Suitable for Panorama Xtraslim, Slim & Deep Series	\$499.00
MAN-BMKB-XS40	Knotty Black Birch Wooden Mantel Surround for BI-40 Xtraslim	\$799.00
MAN-BMGB-XS40	Gray Bark Birch Wooden Mantel Surround for BI-40 Xtraslim	\$799.00
MAN-BMWB-XS40	White Birch Wooden Mantel Surround for BI-40 Xtraslim	\$799.00
MAN-BMNB-XS40	Natural Birch Wooden Mantel Surround for BI-40 Xtraslim	\$799.00



BI-72-SLIM OD Clear Glass Media

FEATURES

- WiFi Compatible to connect and control the fireplace from your smartphone with the use of our app. Available on the Google Play Store and Apple App Store
- Three speed flame motor
- 6 ¾" depth. Heat output 5000 BTU
- No unsightly venting and grills seen. A true clean and vent free look
- Programmable timer & thermostat allows you to decide the temperature of the room. Set your fireplace to turn on before you arrive home or have it automatically turn on when the weather is cold.
- Touch pad for convenient control of the features and temperature display from the fireplace.
- Choose from combinations of yellow, orange and red colored flames
- Approved for indoor or outdoor applications.*
- Choose from 11 color settings of canopy lighting (10 colors and a cycle thru setting)
- Two flame pattern styles – standard and more traditional
- New patented thermostatic remote comes included



*Manufacturer guidelines regarding outdoor installation must be followed. Please refer to the owner's manual for additional information

FLAME PRESENTATION



Yellow Flame



Orange Flame



Red Flame

DECORATIVE MEDIA & ACCESSORIES

- Included Media – Clear decorative media and ICE media set



PART NUMBER	DESCRIPTION	2025 MSRP
BI-40-SLIM-OD	Panorama Slim Full View Smart Electric - 40" Indoor /Outdoor WiFi Enabled Fireplace, featuring a MultiFunction Remote, Multi Speed Flame Motor, Glass Media & a Black Trim	\$1,999.00
BI-50-SLIM-OD	Panorama Slim Full View Smart Electric - 50" Indoor /Outdoor WiFi Enabled Fire- place, featuring a MultiFunction Remote, Multi Speed Flame Motor, Glass Media & a Black Trim	\$2,299.00
BI-60-SLIM-OD	Panorama Slim Full View Smart Electric - 60" Indoor /Outdoor WiFi Enabled Fire- place, featuring a MultiFunction Remote, Multi Speed Flame Motor, Glass Media & a Black Trim	\$2,499.00
BI-72-SLIM-OD	Panorama Slim Full View Smart Electric - 72" Indoor /Outdoor WiFi Enabled Fire- place, featuring a MultiFunction Remote, Multi Speed Flame Motor, Glass Media & a Black Trim	\$2,899.00
BI-88-SLIM-OD	Panorama Slim Full View Smart Electric - 88" Indoor /Outdoor WiFi Enabled Fire- place, featuring a MultiFunction Remote, Multi Speed Flame Motor, Glass Media & a Black Trim	\$3,399.00
PAN-COV-40	40" Stainless Steel Fireplace Outdoor Cover - Suitable for Panorama Xtraslim, Slim & Deep Series	\$299.00
PAN-COV-50	50" Stainless Steel Fireplace Outdoor Cover - Suitable for Panorama Xtraslim, Slim & Deep Series	\$399.00
PAN-COV-60	60" Stainless Steel Fireplace Outdoor Cover - Suitable for Panorama Xtraslim, Slim & Deep Series	\$499.00
PAN-COV-72	72" Stainless Steel Fireplace Outdoor Cover - Suitable for Panorama Xtraslim, Slim & Deep Series	\$599.00
PAN-COV-88	88" Stainless Steel Fireplace Outdoor Cover - Suitable for Panorama Xtraslim, Slim & Deep Series	\$699.00



BI-50-SLIM OD Clear Glass Media



BI-50-SLIM Lumina XS Oak Media

FEATURES



- 2 Year Warranty
- WiFi compatible to connect and control the fireplace from your smartphone with the use of our app. Available on the Google play store and the Apple App Store.
- Programmable timer & thermostat allows you to decide the temperature of the room. Set the fireplace to turn on before you arrive home or have it automatically turn on when the weather is cold.
- Smart Room Temperature Control - 59°F - 82°F or 15°C - 28°C
- 1465W 5000 BTU, heats up to 500 Sq. Ft.
- 50000 hours lifetime LED light source
- Approved for Outdoor Installations*
- Designed with front flow heating and hidden venting so that the unit can be recessed or semi flush mounted
- A clean reduced trim kit allows for a large viewing area with true lifelike flames that can not be rivaled.
- Adjustable flame brightness and speed that can be turned on separately.
- Adjustable ember bed colors that allow for the possibility of auto mixing thousands of colors.
- Most quiet and reliable components in the industry
- Patented thermostatic remote comes included
- Can be finished with a Trim or Trimless

FLAME PRESENTATION



Yellow Flame



Orange Flame



Red Flame

DECORATIVE MEDIA & ACCESSORIES

Models come with Design Media Oak XS 12PCE, trim, 2 small bags of vermiculite, clear fireglass, remote and grate



PART NUMBER	DESCRIPTION	2025 MSRP
BI-40-SLIM-OD-LUMINA	Panorama Slim Lumina - 40" Indoor /Outdoor Built In Full View Smart Electric Fireplace, WiFi Enabled, Programable Remote Control, Multi Flame Speeds, Comes with Glass, Oak Logs, Glowing Log Media and a Black Trim	\$1,999.00
BI-50-SLIM-OD-LUMINA	Panorama Slim Lumina - 50" Indoor /Outdoor Built In Full View Smart Electric Fireplace, WiFi Enabled, Programable Remote Control, Multi Flame Speeds, Comes with Glass, Oak Logs, Glowing Log Media and a Black Trim	Coming Soon
BI-60-SLIM-OD-LUMINA	Panorama Slim Lumina - 60" Indoor /Outdoor Built In Full View Smart Electric Fireplace, WiFi Enabled, Programable Remote Control, Multi Flame Speeds, Comes with Glass, Oak Logs, Glowing Log Media and a Black Trim	Coming Soon
BI-72-SLIM-OD-LUMINA	Panorama Slim Lumina - 72" Indoor /Outdoor Built In Full View Smart Electric Fireplace, WiFi Enabled, Programable Remote Control, Multi Flame Speeds, Comes with Glass, Oak Logs, Glowing Log Media and a Black Trim	Coming Soon
BI-88-SLIM-OD-LUMINA	Panorama Slim Lumina - 88" Indoor /Outdoor Built In Full View Smart Electric Fireplace, WiFi Enabled, Programable Remote Control, Multi Flame Speeds, Comes with Glass, Oak Logs, Glowing Log Media and a Black Trim	Coming Soon
PAN-COV-40	40" Stainless Steel Fireplace Outdoor Cover - Suitable for Panorama Xtraslim, Slim & Deep Series	\$299.00
PAN-COV-50	50" Stainless Steel Fireplace Outdoor Cover - Suitable for Panorama Xtraslim, Slim & Deep Series	\$399.00
PAN-COV-60	60" Stainless Steel Fireplace Outdoor Cover - Suitable for Panorama Xtraslim, Slim & Deep Series	\$499.00
PAN-COV-72	72" Stainless Steel Fireplace Outdoor Cover - Suitable for Panorama Xtraslim, Slim & Deep Series	\$599.00
PAN-COV-88	88" Stainless Steel Fireplace Outdoor Cover - Suitable for Panorama Xtraslim, Slim & Deep Series	\$699.00



BI-88-DEEP-OD 14PCE Rustic

FEATURES



- WiFi Compatible to connect and control the fireplace from your smartphone with the use of our app. Available on the Google Play Store and Apple App Store
- Three speed flame motor
- 12" depth. Heat output 5000 BTU
- No unsightly venting and grills seen. A true clean and vent free look
- Programmable timer & thermostat allows you to decide the temperature of the room. Set your fireplace to turn on before you arrive home or have it automatically turn on when the weather is cold.
- Touch pad for convenient control of the features and temperature display from the fireplace.
- Choose from combinations of yellow, orange and red colored flames
- Approved for indoor or outdoor applications.*
- Choose from 11 color settings of canopy lighting (10 colors and a cycle thru setting)
- Two flame pattern styles – standard and more traditional
- New patented thermostatic remote comes included



BI-60-DEEP OD14PCE RUSTIC

DECORATIVE MEDIA & ACCESSORIES

- Included Media – 10 piece Oak log set and optional black steel surround, plus a remote.



*Manufacturer guidelines regarding outdoor installation must be followed. Please refer to the owner's manual for additional information

PART NUMBER	DESCRIPTION	2025 MSRP
BI-40-DEEP-OD	Panorama Deep Full View Smart Electric - 40" Indoor /Outdoor WiFi Enabled Fireplace, featuring a MultiFunction Remote, Multi Speed Flame Motor, Glass Media & a Black Trim	SOLD OUT
BI-50-DEEP-OD	Panorama Deep Full View Smart Electric - 50" Indoor /Outdoor WiFi Enabled Fireplace, featuring a MultiFunction Remote, Multi Speed Flame Motor, Glass Media & a Black Trim	\$3,399.00
BI-60-DEEP-OD	Panorama Deep Full View Smart Electric - 60" Indoor /Outdoor WiFi Enabled Fireplace, featuring a MultiFunction Remote, Multi Speed Flame Motor, Glass Media & a Black Trim	\$3,799.00
BI-72-DEEP-OD	Panorama Deep Full View Smart Electric - 72" Indoor /Outdoor WiFi Enabled Fireplace, featuring a MultiFunction Remote, Multi Speed Flame Motor, Glass Media & a Black Trim	\$4,199.00
BI-88-DEEP-OD	Panorama Deep Full View Smart Electric - 88" Indoor /Outdoor WiFi Enabled Fireplace, featuring a MultiFunction Remote, Multi Speed Flame Motor, Glass Media & a Black Trim	\$4,499.00
PAN-COV-40	40" Stainless Steel Fireplace Outdoor Cover - Suitable for Panorama Xtraslim, Slim & Deep Series	\$299.00
PAN-COV-50	50" Stainless Steel Fireplace Outdoor Cover - Suitable for Panorama Xtraslim, Slim & Deep Series	\$399.00
PAN-COV-60	60" Stainless Steel Fireplace Outdoor Cover - Suitable for Panorama Xtraslim, Slim & Deep Series	\$499.00
PAN-COV-72	72" Stainless Steel Fireplace Outdoor Cover - Suitable for Panorama Xtraslim, Slim & Deep Series	\$599.00
PAN-COV-88	88" Stainless Steel Fireplace Outdoor Cover - Suitable for Panorama Xtraslim, Slim & Deep Series	\$699.00



BI-88-DEEP-OD 16PCE SPLIT

FEATURES



- Smart WiFi Control – Operate your fireplace remotely via our app, available on Google Play Store and Apple App Store.
- Three-Speed Flame Motor – Adjust flame speed for a customized ambiance.
- Compact & Powerful – 12" depth with 5000 BTU heat output.
- Sleek, Vent-Free Design – No visible grills or venting for a clean, modern look.
- Programmable Timer & Thermostat – Set your ideal room temperature or schedule automatic activation based on weather conditions.
- Intuitive Touchpad Control – Easily adjust settings and monitor temperature directly from the fireplace.
- Customizable Flames – Mix and match yellow, orange, and red flame colors.
- Indoor & Outdoor Use – Approved for both indoor and outdoor installations.*
- Vibrant Canopy Lighting – 11 lighting options, including 10 solid colors and a color-cycle mode.
- Two Distinct Flame Styles – Choose between a standard or traditional flame pattern.
- Patented Thermostatic Remote – Included for effortless temperature and feature control.



BI-40-DEEP OD14PCE RUSTIC

DECORATIVE MEDIA & ACCESSORIES

- Included Media – 14 piece Oak log set and optional black steel surround, plus a remote.



*Manufacturer guidelines regarding outdoor installation must be followed. Please refer to the owner's manual for additional information

PART NUMBER	DESCRIPTION	2025 MSRP
BI-40-DEEP-OD-LUMINA	Panorama Deep Lumina - 40" Indoor /Outdoor Built In Full View Smart Electric Fireplace, WiFi Enabled, Programable Remote Control, Multi Flame Speeds, Comes with Glass, Oak Logs, Glowing Log Media, and Black Trim	\$2,899.00
BI-50-DEEP-OD-LUMINA	Panorama Deep Lumina - 50" Indoor /Outdoor Built In Full View Smart Electric Fireplace, WiFi Enabled, Programable Remote Control, Multi Flame Speeds, Comes with Glass, Oak Logs, Glowing Log Media, and Black Trim	Coming Soon
BI-60-DEEP-OD-LUMINA	Panorama Deep Lumina - 60" Indoor /Outdoor Built In Full View Smart Electric Fireplace, WiFi Enabled, Programable Remote Control, Multi Flame Speeds, Comes with Glass, Oak Logs, Glowing Log Media, and Black Trim	Coming Soon
BI-72-DEEP-OD-LUMINA	Panorama Deep Lumina - 72" Indoor /Outdoor Built In Full View Smart Electric Fireplace, WiFi Enabled, Programable Remote Control, Multi Flame Speeds, Comes with Glass, Oak Logs, Glowing Log Media, and Black Trim	Coming Soon
BI-88-DEEP-OD-LUMINA	Panorama Deep Lumina - 88" Indoor /Outdoor Built In Full View Smart Electric Fireplace, WiFi Enabled, Programable Remote Control, Multi Flame Speeds, Comes with Glass, Oak Logs, Glowing Log Media, and Black Trim	Coming Soon
PAN-COV-40	40" Stainless Steel Fireplace Outdoor Cover - Suitable for Panorama Xtraslim, Slim & Deep Series	\$299.00
PAN-COV-50	50" Stainless Steel Fireplace Outdoor Cover - Suitable for Panorama Xtraslim, Slim & Deep Series	\$399.00
PAN-COV-60	60" Stainless Steel Fireplace Outdoor Cover - Suitable for Panorama Xtraslim, Slim & Deep Series	\$499.00
PAN-COV-72	72" Stainless Steel Fireplace Outdoor Cover - Suitable for Panorama Xtraslim, Slim & Deep Series	\$599.00
PAN-COV-88	88" Stainless Steel Fireplace Outdoor Cover - Suitable for Panorama Xtraslim, Slim & Deep Series	\$699.00



BI-72-DEEP-XT18PCE Oak

FEATURES



- WiFi Compatible to connect and control the fireplace from your smartphone with the use of our app. Available on the Google Play Store and Apple App Store
- Three speed flame motor
- 12" depth. Heat output 5000 BTU
- No unsightly venting and grills seen. A true clean and vent free look
- Programmable timer & thermostat allows you to decide the temperature of the room. Set your fireplace to turn on before you arrive home or have it automatically turn on when the weather is cold.
- Touch pad for convenient control of the features and temperature display from the fireplace.
- Choose from combinations of yellow, orange and red colored flames
- Approved for indoor or outdoor applications.*
- Choose from 11 color settings of canopy lighting (10 colors and a cycle thru setting)
- Two flame pattern styles – standard and more traditional
- New patented thermostatic remote comes included



BI-60-DEEP-XT 109ICE MEDIA

DECORATIVE MEDIA & ACCESSORIES

The Panorama Extra Tall Smart series comes with your choice of one Design Media Kit, the ICE media set, plus a remote.



YOUR CHOICE:



DESIGN-MEDIA-BIRCH-15PCE



DESIGN-MEDIA-DRIFT-15PCE



DESIGN-MEDIA-RUSTIC-14PCE



DESIGN-MEDIA-OAK-18PCE



DESIGN-MEDIA-SPLIT-LOG-16PCE



ICE-MEDIA-FI-109-DIAMOND



*Manufacturer guidelines regarding outdoor installation must be followed. Please refer to the owner's manual for additional information

PART NUMBER	DESCRIPTION	2025 MSRP
BI-40-DEEP-XT	Panorama Deep & Xtra Tall Full View Smart Electric - 40" Indoor /Outdoor WiFi Enabled Fireplace, featuring a MultiFunction Remote, Multi Speed Flame Motor, Glass Media & a Black Trim	\$3,199.00
BI-50-DEEP-XT	Panorama Deep & Xtra Tall Full View Smart Electric - 50" Indoor /Outdoor WiFi Enabled Fireplace, featuring a MultiFunction Remote, Multi Speed Flame Motor, Glass Media & a Black Trim	SOLD OUT
BI-60-DEEP-XT	Panorama Deep & Xtra Tall Full View Smart Electric - 60" Indoor /Outdoor WiFi Enabled Fireplace, featuring a MultiFunction Remote, Multi Speed Flame Motor, Glass Media & a Black Trim	\$4,199.00
BI-72-DEEP-XT	Panorama Deep & Xtra Tall Full View Smart Electric - 72" Indoor /Outdoor WiFi Enabled Fireplace, featuring a MultiFunction Remote, Multi Speed Flame Motor, Glass Media & a Black Trim	\$4,499.00
BI-88-DEEP-XT	Panorama Deep & Xtra Tall Full View Smart Electric - 88" Indoor /Outdoor WiFi Enabled Fireplace, featuring a MultiFunction Remote, Multi Speed Flame Motor, Glass Media & a Black Trim	\$4,899.00
DESIGN-MEDIA-15PCE	DRIFTWOOD - 15 Piece Deluxe Media Kit Includes: 15 logs, stones, pebbles & embers	Dealer's Choice
DESIGN-MEDIA-BIRCH-15PCE	BIRCH - 15 Piece Deluxe Media Kit Includes: 15 logs, stones, pebbles & embers	Dealer's Choice
DESIGN-MEDIA-14PCE	RUSTIC - 14 Piece Deluxe Media Kit Includes: 14 logs, stones, pebbles & embers	Dealer's Choice
DESIGN-MEDIA-SPLIT-LOG-16PCE	SPLIT LOG - 16 Piece Deluxe Media Kit Includes: 16 logs, stones, pebbles & embers	Dealer's Choice
DESIGN-MEDIA-OAK-18PCE	OAK - 18 Piece Deluxe Media Kit Includes: 18 logs, stones, pebbles & embers	Dealer's Choice
Fi-109-Diamond	Ice Media Kit Includes: 3 large glass rocks, 95 clear diamond media, 10 blue diamond media and a package of clear acrylic media	Dealer's Choice



BI-72-DEEP-XT-LUMINA - 14PCE RUSTIC

TECH SPECIFICATIONS



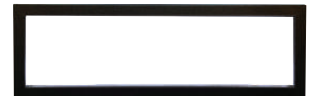
- Smart WiFi Connectivity – Control your fireplace seamlessly from your smartphone via our dedicated app, available on both the Google Play Store and Apple App Store.
- Enhanced Flame Motor – Three-speed flame motor for a customizable and dynamic flame experience.
- Sleek & Space-Saving Design – Compact 12” depth with a powerful 5000 BTU heat output.
- Vent-Free Aesthetic – Enjoy a true clean-face look with no unsightly venting or grills.
- Advanced Programmable Features – Set your ideal room temperature with a built-in thermostat & timer. Schedule your fireplace to turn on before you arrive or activate automatically when temperatures drop.
- Intuitive Touchpad Control – Easily adjust features and view the temperature display directly from the fireplace.
- Customizable Flame Colors – Mix and match shades of yellow, orange, and red to create your perfect ambiance.
- Indoor & Outdoor Versatility – Designed for both indoor and outdoor installations.*
- Vibrant Canopy Lighting – Choose from 11 lighting options, including 10 static colors and a mesmerizing color-cycle mode.
- Two Unique Flame Styles – Switch between a contemporary flame pattern and a traditional style for a classic look.
- Patented Thermostatic Remote – Included for effortless temperature control and enhanced convenience.



BI-60-DEEP-XT-LUMINA-14PCE-RUSTIC

DECORATIVE MEDIA & ACCESSORIES

The Panorama Extra Tall Smart series comes with your choice of one Design Media Kit, the ICE media set, plus a remote.



YOUR CHOICE:



DESIGN-MEDIA-BIRCH-15PCE



DESIGN-MEDIA-DRIFT-15PCE



DESIGN-MEDIA-RUSTIC-14PCE



DESIGN-MEDIA-OAK-18PCE



DESIGN-MEDIA-SPLIT-LOG-16PCE



ICE-MEDIA-FI-109-DIAMOND



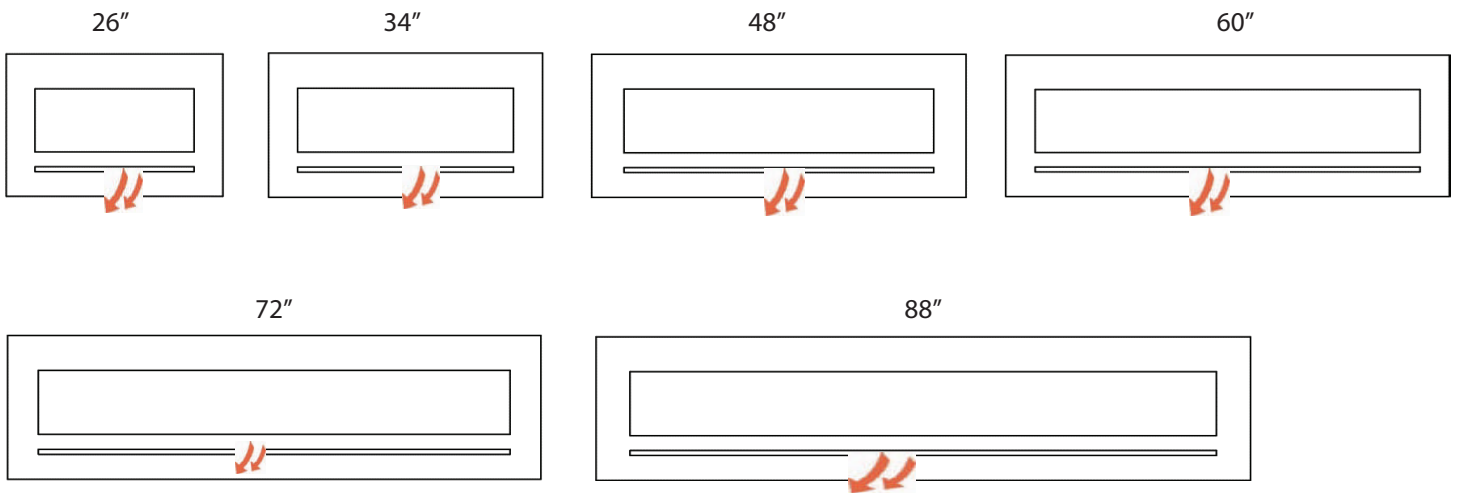
*Manufacturer guidelines regarding outdoor installation must be followed. Please refer to the owner's manual for additional information

PART NUMBER	DESCRIPTION	2025 MSRP
BI-40-DEEP-XT-LUMINA	Panorama Deep and Extra Tall Lumina - 40" Indoor /Outdoor Built In Full View Smart Electric Fireplace, WiFi Enabled, Programable Remote Control, Multi Flame Speeds, Comes with Glass, Glowing Log Media, a Selection of Media Options and a Black Trim	Coming Soon
BI-50-DEEP-XT-LUMINA	Panorama Deep and Extra Tall Lumina - 50" Indoor /Outdoor Built In Full View Smart Electric Fireplace, WiFi Enabled, Programable Remote Control, Multi Flame Speeds, Comes with Glass, Glowing Log Media, a Selection of Media Options and a Black Trim	\$3,599.00
BI-60-DEEP-XT-LUMINA	Panorama Deep and Extra Tall Lumina - 60" Indoor /Outdoor Built In Full View Smart Electric Fireplace, WiFi Enabled, Programable Remote Control, Multi Flame Speeds, Comes with Glass, Glowing Log Media, a Selection of Media Options and a Black Trim	Coming Soon
BI-72-DEEP-XT-LUMINA	Panorama Deep and Extra Tall Lumina - 72" Indoor /Outdoor Built In Full View Smart Electric Fireplace, WiFi Enabled, Programable Remote Control, Multi Flame Speeds, Comes with Glass, Glowing Log Media, a Selection of Media Options and a Black Trim	Coming Soon
BI-88-DEEP-XT-LUMINA	Panorama Deep and Extra Tall Lumina - 88" Indoor /Outdoor Built In Full View Smart Electric Fireplace, WiFi Enabled, Programable Remote Control, Multi Flame Speeds, Comes with Glass, Glowing Log Media, a Selection of Media Options and a Black Trim	Coming Soon
DESIGN-MEDIA-15PCE	DRIFTWOOD - 15 Piece Deluxe Media Kit Includes: 15 logs, stones, pebbles & embers	Dealer's Choice
DESIGN-MEDIA-BIRCH-15PCE	BIRCH - 15 Piece Deluxe Media Kit Includes: 15 logs, stones, pebbles & embers	Dealer's Choice
DESIGN-MEDIA-14PCE	RUSTIC - 14 Piece Deluxe Media Kit Includes: 14 logs, stones, pebbles & embers	Dealer's Choice
DESIGN-MEDIA-SPLITLOG-16PCE	SPLIT LOG - 16 Piece Deluxe Media Kit Includes: 16 logs, stones, pebbles & embers	Dealer's Choice
DESIGN-MEDIA-OAK-18PCE	OAK - 18 Piece Deluxe Media Kit Includes: 18 logs, stones, pebbles & embers	Dealer's Choice
Fi-109-Diamond	Ice Media Kit Includes: 3 large glass rocks, 95 clear diamond media, 10 blue diamond media and a package of clear acrylic media	Dealer's Choice



WM-FML-72-7823-STL Clear Media

TECH SPECIFICATIONS

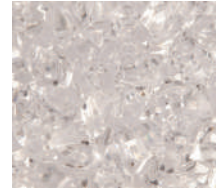


FEATURES

- Can be built in flush or wall mounted with included brackets. Heat is emitted from a single slot in the face of the surround.
- FIRE & ICE ® Flame presentation - three light strips allow for yellow, orange, blue, violet and rose colored flames
- Stove bright charcoal metallic finished steel surround
- Touch pad with temperature display
- Latest LED light technology
- 13 colors of surround back-lighting
- Hard-wire ready
- Thermostat hard-wire ready
- Plug on left side
- Heat can operate without flame
- Single remote control for flame, surround back-lighting & heater included
- Can produce up to 5000 BTU of heat, enough to heat up to 500 sq feet

DECORATIVE MEDIA & ACCESSORIES

- **Included Media** – Clear decorative media

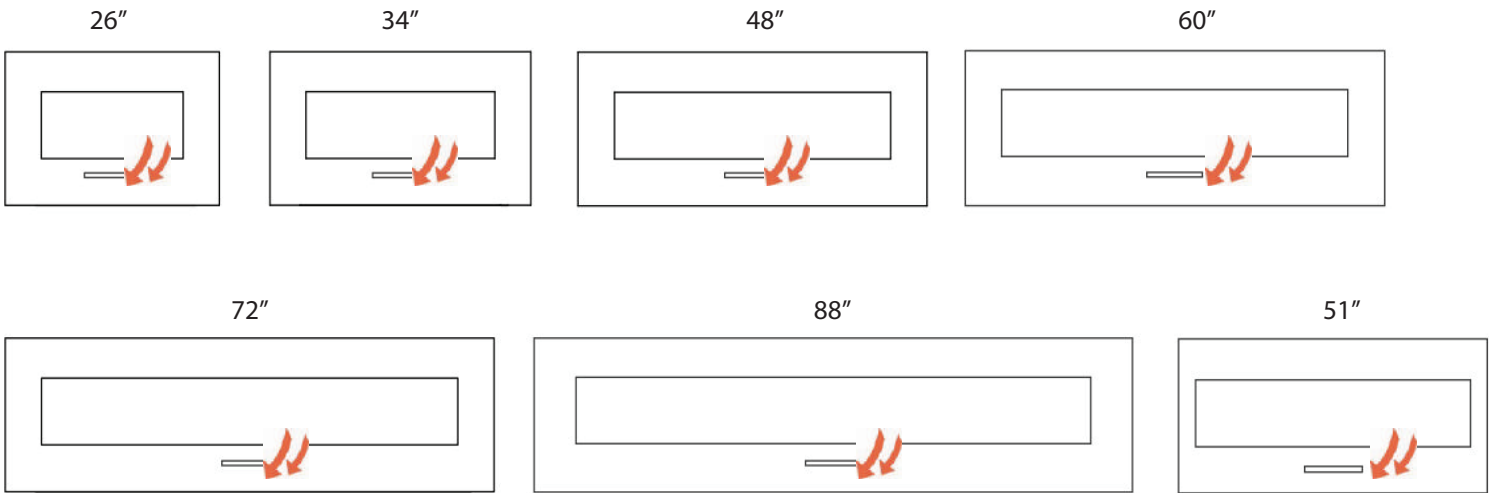


PART NUMBER	DESCRIPTION	2025 MSRP
WM-FML-26-3223-STL	Wall Mount / Flush Mount - 26" Electric Fireplace with a Steel Surround and Glass Media	\$1,399.00
WM-FML-34-4023-STL	Wall Mount / Flush Mount - 34" Electric Fireplace with a Steel Surround and Glass Media	\$1,699.00
WM-FML-48-5523-STL	Wall Mount / Flush Mount - 48" Electric Fireplace with a Steel Surround and Glass Media	\$1,999.00
WM-FML-60-6623-STL	Wall Mount / Flush Mount - 60" Electric Fireplace with a Steel Surround and Glass Media	SOLD OUT
WM-FML-72-7823-STL	Wall Mount / Flush Mount - 72" Electric Fireplace with a Steel Surround and Glass Media	\$2,699.00
WM-FML-88-9623-STL	Wall Mount / Flush Mount - 88" Electric Fireplace with a Steel Surround and Glass Media	SOLD OUT



WM-FM-34-4423-BG

TECH SPECIFICATIONS



FEATURES



- WiFi Compatible to connect and control the fireplace from your smartphone with the use of our app. Available on the Google Play Store and Apple App Store
- Three speed flame motor
- 5000 BTU
- No unsightly venting and grills seen. A true clean and vent free look
- Programmable timer & thermostat allows you to decide the temperature of the room. Set your fireplace to turn on before you arrive home or have it automatically turn on when the weather is cold.
- Touch pad for convenient control of the features and temperature display from the fireplace.
- Choose from combinations of yellow, orange and red colored flames
- Approved for indoor or outdoor applications. *Overhang required for outdoor applications
- Choose from 11 color settings of canopy lighting (10 colors and a cycle thru setting)
- Two flame pattern styles – standard and more traditional
- New patented thermostatic remote comes included

DECORATIVE MEDIA & ACCESSORIES

- **Included Media** – 10PCE Birch with Remote

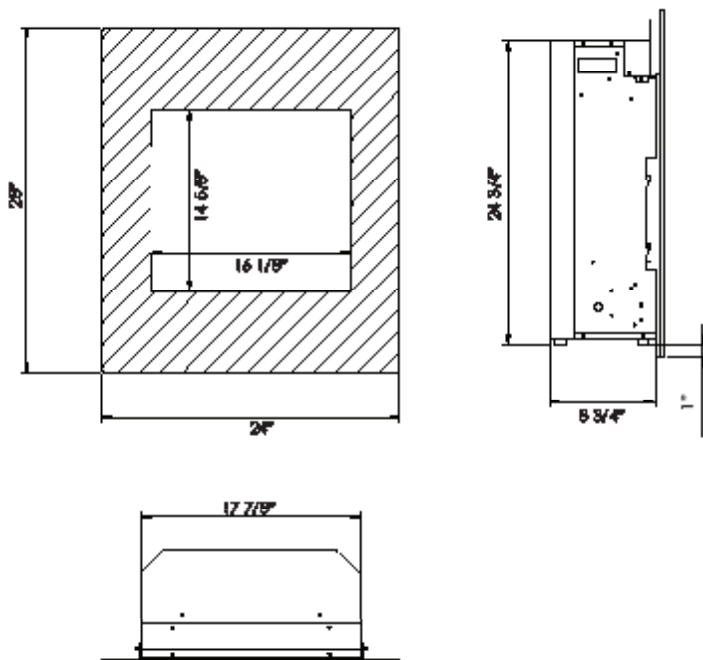


PART NUMBER	DESCRIPTION	2025 MSRP
WM-FM-26-3623-BG	Wall Mount/ Flush Mount Smart Electric 26" Indoor / Outdoor WiFi Enabled Fireplace, Featuring a MultiFunction Remote Control , Multi Speed Flame Motor	\$1,499.00
WM-FM-34-4423-BG	Wall Mount/ Flush Mount Smart Electric 34" Indoor / Outdoor WiFi Enabled Fireplace , Featuring a MultiFunction Remote Control , Multi Speed Flame Motor	\$1,899.00
WM-FM-48-5823-BG	Wall Mount/ Flush Mount Smart Electric 48" Indoor / Outdoor WiFi Enabled Fireplace , Featuring a MultiFunction Remote Control , Multi Speed Flame Motor	SOLD OUT
WM-FM-50-BG-3	Wall Mount/ Flush Mount Smart Electric 50" Indoor / Outdoor WiFi Enabled Fireplace , Featuring a MultiFunction Remote Control , Multi Speed Flame Motor	\$2,199.00
WM-FM-60-7023-BG	Wall Mount/ Flush Mount Smart Electric 60" Indoor / Outdoor WiFi Enabled Fireplace , Featuring a MultiFunction Remote Control , Multi Speed Flame Motor	\$2,799.00
WM-FM-72-8123-BG	Wall Mount/ Flush Mount Smart Electric 72" Indoor / Outdoor WiFi Enabled Fireplace , Featuring a MultiFunction Remote Control , Multi Speed Flame Motor	SOLD OUT
WM-FM-88-10023-BG	Wall Mount/ Flush Mount Smart Electric 88" Indoor / Outdoor WiFi Enabled Fireplace , Featuring a MultiFunction Remote Control , Multi Speed Flame Motor	\$3,699.00



WM-BI-2428-CLR-BG with CURVED Glass 10PCE Oak

TECH SPECIFICATIONS



Not all spaces can accommodate a full scale fireplace, and here is where the WM-BI-2428 VLR-BG literally and figuratively shines. This corner fireplace is all about complimenting your home's unique interior, be it rustic or contemporary, and rest assured this corner fireplace will punctuate your interior taste like a personal signature.

FEATURES 

- 2-Year Warranty included for your peace of mind.
- WiFi Compatible for seamless remote operation.
- New Application for enhanced control and functionality.
- New Oak Log-Set for a natural, authentic look.
- New and Improved Flame Presentation for a stunning visual display.
- 2 Installation Options: Built-in or mounted cross corner, allowing versatile placement.
- Optional Black Glass Surround with a curved glass design available for purchase.
- Enhanced Lighting: Improved uplights and downlights for a superior ambiance.
- Thermostat and Hardwire Ready, offering advanced temperature control options.
- Ideal for New Construction and Renovation Projects, designed to fit seamlessly into modern or traditional spaces.

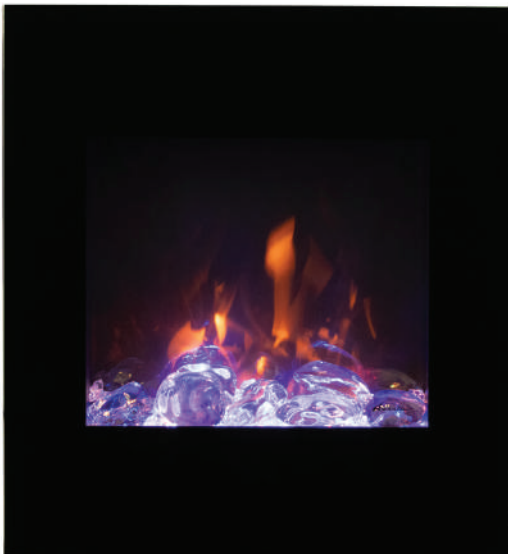
DECORATIVE MEDIA & ACCESSORIES

- **Included Media** – 12 piece Oak log set and optional black steel surround, plus a remote.

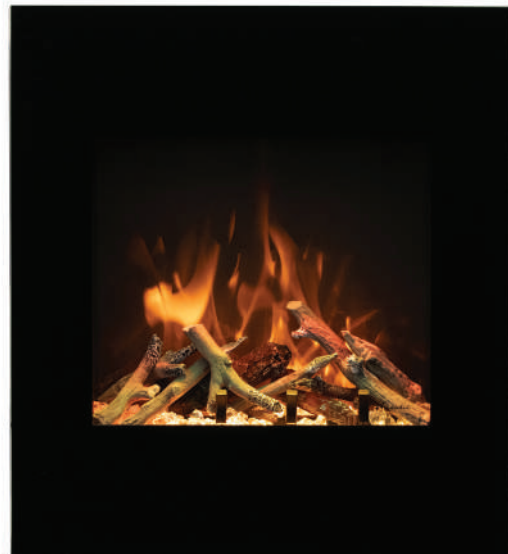


DESIGN-MEDIA-OAK-12PCE-MD

PART NUMBER	DESCRIPTION	2025 MSRP
WM-BI-2428-VLR-BG-Lumina	Wall Mount or Built In Smart Electric, WiFi Enabled Fireplace, includes a Black Glass Surround, MultiFunction Remote Control and Multi Speed Flame Motor, and 7 Piece Oak Log Set and Sable Glass	\$1,699.00
2428-CURVEDGLS	Curved Glass for WM-BI-2428 VLR BG	\$199.00



WM-BI-2428-VLR-BG-LUMINA 109ICE MEDIA



WM-BI-2428-VLR-BG-LUMINA12PCE MD OAK



AM-PL-US JAN 1

Distributed By:

We reserve the right to update products, specifications and dimensions are subject to change. Please refer to the product manual to verify measurements and clearance requirements. All local building codes must be followed.

Amantii

Visit our online showrooms at:
www.amantii.com