

# 2024 PRICE LIST ELECTRIC FIREPLACES

*Amantii*

SIERRA FLAME



AUG 1, 2024



SYM-60-DEEP 18PCE Oak

# TABLE OF CONTENTS

| PAGE    | DESCRIPTION  |
|---------|--|
| 2 - 3   | Table of Contents  |
| 4       | Fire Glass Media   |
| 5       | Glass Media & Decorative Options, Log Sets   |
| 6-7     | Fireplace Guide <b>*New</b>  |
| 8 - 9   | Fireplace Guide <b>*New</b>  |
| 10-11   | Fireplace Guide <b>*New</b>  |
| 12-13   | Fire & Ice Classic Edition <b>*New</b>   |
| 14-15   | Fire & Ice Evolution Linear <b>*New</b>  |
| 16-17   | Touch-Up Paint   |
| 18-19   | Contemporary Pedestal Display  |
| 20-21   | Signature 38: Tech Specs, Prices & Media Kits <b>*New</b>  |
| 22-23   | Traditional TRD Bespoke Smart 33, 38, 44, 48: Tech Specs, Prices & Media Kits <b>*Update</b>                 |
| 24-25   | Traditional TRD LUMINA 26, 33, 38, 44, 48: Tech Specs, Prices & Media Kits <b>*New</b>                       |
| 26 - 27 | Arch Trim & Square Trim <b>*New</b>  |
| 28 -29  | Traditional TRD Xtraslim Smart 26, 30, 33: Tech Specs & Prices   |
| 30 - 31 | Traditional TRD Smart 26, 30, 33, 38, 44, 48: Tech Specs, Prices & Media Kits                                |
| 32 - 33 | Symmetry Extra Tall Bespoke SYM-XT-Bespoke 50, 74, 88, 100: Prices & Media Kits <b>*Update</b>               |
| 34 - 35 | Symmetry Extra Tall Bespoke SYM-XT-Bespoke 50, 74, 88, 100: Tech Specs <b>*Update</b>                        |
| 36 - 37 | Symmetry Bespoke SYM-Bespoke 34, 40, 60, 72, 88, 100 : Prices & Media Kits <b>*Update</b>                    |
| 38 - 39 | Symmetry Bespoke SYM-Bespoke 34, 40, 60, 72, 88, 100 : Tech Specs <b>*Update</b>                             |
| 40 - 41 | Symmetry Smart Extra Tall: SYM-XT 34, 42, 50, 60, 74, 88, 100: Tech Specs, Prices & Media Kits               |
| 42 - 43 | Symmetry XT LUMINA: SYM-XT 34, 42, 50, 60, 74, 88, 100: Prices & Media Kits <b>*New</b>                      |
| 44 - 45 | Symmetry XT LUMINA: SYM-XT 34, 42, 50, 60, 74, 88, 100: Tech Specs <b>*New</b>                               |
| 46 - 47 | Symmetry LUMINA: SYM 34, 42, 50, 60, 72, 88, 100: Prices <b>*New</b>   |
| 48 - 49 | Symmetry LUMINA: SYM 34, 42, 50, 60, 72, 88, 100: Tech Specs <b>*New</b>                                     |
| 50 - 51 | Symmetry Xtraslim Smart -SYM SLIM 42, 50, 60: Prices   |
| 52 - 53 | Symmetry Smart -SYM 100: Prices <b>*Update</b>   |
| 54 - 55 | Cube 2025WM Lumina Freestanding Fireplace w/Optional Speaker or Leg Base: Tech Specs & Prices <b>*Update</b> |
| 56 - 57 | Sierra Flame FS-LUMINA Freestanding  |
| 58 - 59 | Lynwood E50, E70 Freestanding Cast Iron Electric Stoves: Tech Specs & Prices                                 |
| 60 - 61 | Lynwood W76 Freestanding Cast Iron Wood Stove: Tech Specs & Prices   |
| 62 - 63 | Insert TRD Bespoke Smart 30, 33, 38, 3 & 4-Sided Surrounds: Tech Specs, Prices & Media Kits                  |
| 64 - 65 | Insert TRD Smart 26, 30, 33, 38, 3 & 4-Sided Surrounds: Tech Specs & Prices                                  |

*Continued on next page*

Continued from previous page

| PAGE      | DESCRIPTION  |
|-----------|--|
| 66 - 67   | Sierra Flame Insert INS-FM-30, 34 W/Steel Surround: Tech Specs & Prices                                      |
| 68 - 69   | Tru-View Bespoke 45, 55, 65, 75, 85: Prices  |
| 70 - 71   | Tru-View Bespoke Tech Specs and Combination of Sizes for conjoining <b>*New</b>                              |
| 72 - 73   | Tru-View Slim Smart TRV-Slim 30, 40, 50, 60, 72: Prices <b>*Update</b>                                       |
| 74 - 75   | Tru-View XL Deep Smart TRV-View XL 40, 50, 60, 72: Tech Specs, Prices & Media Kits                           |
| 76 - 77   | Tru-View XL Deep Smart TRV-View XL 40, 50, 60, 72: Tech Specs  |
| 78 - 79   | Tru-View XL Deep Extra Tall Smart TRV-XT-XL 40, 50, 60, 72, 88: Prices & Media Kits <b>*Update</b>           |
| 80 - 81   | Tru-View XL Deep Extra Tall Smart TRV-XT-XL 40, 50, 60, 72, 88: Tech Specs <b>*Update</b>                    |
| 82 - 83   | Tru-View Cube 2025WM Lumina, and Leg Base: Tech Specs & Prices <b>*New</b>                                   |
| 84 - 85   | Panorama Xtra Slim Smart Series BI-Xtraslim 30, 40, 50, 60: Prices <b>*Update</b>                            |
| 86 - 87   | Panorama Xtra Slim Smart Series BI-Xtraslim 30, 40, 50, 60: Tech Specs <b>*Update</b>                        |
| 88 - 89   | Panorama Mantel Surrounds for BI-40-Xtraslim: Tech Specs & Prices  |
| 90 - 91   | Panorama Smart Slim BI-Slim-OD 40, 50, 60, 72, 88: Prices  |
| 92 - 93   | Panorama Smart Slim BI-Slim-OD 40, 50, 60, 72, 88: Tech Specs  |
| 94 - 95   | Panorama Deep BI-Deep-OD 40, 50, 60, 72, 88: Prices  |
| 96 - 97   | Panorama Deep BI-Deep-OD 40, 50, 60, 72, 88: Tech Specs  |
| 98 - 99   | Panorama Deep Extra Tall Smart BI-Deep-XT 40, 50, 60, 72, 88: Prices & Media Kits                            |
| 100 - 101 | Panorama Deep Extra Tall Smart BI-Deep-XT 40, 50, 60, 72, 88: Tech Specs                                     |
| 102 - 103 | Wall Mount/Flush Mount W/Glass Surround Smart WM-FM-BG 34, 48, 50, 60, 72, 88: Specs & Prices <b>*Update</b> |
| 104 - 105 | Wall Mount/Flush Mount W/Steel Surround Smart WM-FML-Steel 26, 34, 48, 60, 72, 88: Specs & Prices            |
| 106 - 107 | WM-BI-2428 VLR BG: Tech Spec & Prices <b>*Update</b>   |
| 108 - 109 | Notes  |



## FIRE GLASS MEDIA

| PART NUMBER   | DESCRIPTION                                  | 2024 MSRP |
|---------------|--|-----------|
| AMSF-GLASS-01 | 1/4" Clear Reflective Fireglass - 5lbs       | \$119.00  |
| AMSF-GLASS-02 | 1/2" Light Brown Reflective Fireglass - 5lbs | \$119.00  |
| AMSF-GLASS-03 | 1/2" Charcoal Reflective Fireglass - 5lbs    | \$119.00  |
| AMSF-GLASS-04 | 1/2" Champagne Reflective Fireglass - 5lbs   | \$119.00  |
| AMSF-GLASS-05 | 1/2" Dark Grey Reflective Fireglass - 5lbs   | \$119.00  |
| AMSF-GLASS-06 | 1" Clear Gem Fireglass - 5lbs                | \$119.00  |
| AMSF-GLASS-07 | White Frosted Fireglass - 5lbs               | \$119.00  |
| AMSF-GLASS-08 | Dusty Purple Frosted Fireglass - 5lbs        | \$119.00  |
| AMSF-GLASS-09 | Amber Small Beads Fireglass - 5lbs           | \$119.00  |
| AMSF-GLASS-10 | Orange Small Beads Fireglass - 5lbs          | \$119.00  |
| AMSF-GLASS-11 | Suntea Small Beads Fireglass - 5lbs          | \$119.00  |
| AMSF-GLASS-12 | Black Small Beads Fireglass - 5lbs           | \$119.00  |
| AMSF-GLASS-13 | Sable Large Beads Fireglass - 5lbs           | \$119.00  |
| AMSF-GLASS-14 | Smokey Grey & White Fireglass - 5lbs         | \$119.00  |
| AMSF-GLASS-15 | Canyon Brown Fireglass - 5lbs                | \$119.00  |
| AMSF-GLASS-16 | Ocean Blue Fireglass - 5lbs                  | \$119.00  |



| PART NUMBER    | DESCRIPTION   | 2024 MSRP |
|----------------|---|-----------|
| HZ-12-Ember    | Ember Media Kit Includes: clear, suntea, & harvest moon color media   | \$159.00  |
| Fi-105-Diamond | Kit Includes: 1 large glass nugget, 2 mini clear glass nuggets, 95 clear & 10 blue acrylic nuggets                              | \$159.00  |
| Fi-106-Diamond | Kit Includes: 3 extra large glass rocks   | \$249.00  |
| Fi-107-Diamond | Kit Includes: 6 glass nuggets   | \$249.00  |
| Fi-109-Diamond | Ice Media Kit Includes: 3 large glass rocks, 95 clear diamond media, 10 blue diamond media and a package of clear acrylic media | \$249.00  |

## LOG SETS

| PART NUMBER                           | DESCRIPTION   | 2024 MSRP |
|---------------------------------------|---|-----------|
| DESIGN-MEDIA-6PCE                     | DRIFTWOOD - 6 Piece Deluxe Media Kit Includes: 6 logs, stones, pebbles & embers   | \$369.00  |
| DESIGN-MEDIA-14PCE                    | RUSTIC - 14 Piece Deluxe Media Kit Includes: 14 logs, stones, pebbles & embers  | \$699.00  |
| DESIGN-MEDIA-15PCE                    | DRIFTWOOD - 15 Piece Deluxe Media Kit Includes: 15 logs, stones, pebbles & embers   | \$699.00  |
| DESIGN-MEDIA-BIRCH-15PCE              | BIRCH - 15 Piece Deluxe Media Kit Includes: 15 logs, stones, pebbles & embers   | \$699.00  |
| DESIGN-MEDIA-BIRCH-12PCE-LARGE        | BIRCH - 12 large logs. Recommended for TRD 38", 44", 48", Tru View XL, Tru View XT-XL, Panorama -BI Deep XT, SYM XT                   | \$699.00  |
| DESIGN-MEDIA-SPLIT-LOG-16PCE          | SPLIT LOG - 16 Piece Deluxe Media Kit Includes: 16 logs, stones, pebbles & embers   | \$799.00  |
| DESIGN-MEDIA-OAK-18PCE                | OAK - 18 Piece Deluxe Media Kit Includes: 18 logs, stones, pebbles & embers   | \$799.00  |
| LOGSET-8PCE-XS                        | 8 Piece Natural Wood log set (for use in electric fireplaces only)  | \$149.00  |
| LOGSET-10PCE-BIRCH <b>*New</b>        | 10 Piece Log Set Includes: 7 Piece Birch logs, 3 Piece Glowing Logs (for use in electric fireplaces only)                             | \$299.00  |
| DESIGN-MEDIA-OAK-10PCE                | OAK - 10 Piece Media Kit Includes: 10 logs, 2 colors of real fireglass, 2 colors of vermiculite (for use in electric fireplaces only) | \$299.00  |
| DESIGN-MEDIA-OAK-14PCE-XS <b>*New</b> | OAK - 14 Piece Media Kit Includes: 14 small Oak logs, 2 colors of vermiculite   | \$229.00  |
| DESIGN-MEDIA-OAK-12PCE-MD <b>*New</b> | OAK - 12 Piece Media Kit Includes: 12 medium Oak logs, 2 colors of vermiculite  | \$299.00  |
| DESIGN-MEDIA-OAK-12PCE-LG <b>*New</b> | OAK - 12 Piece Media Kit Includes: 12 large Oak logs, 2 colors of vermiculite   | \$399.00  |

# Amantii Electric Fireplaces Guide

## SYMMETRY



|                         | SYM-XS  | SYM-LUMINA | SYM-XT     | SYM-BESPOKE | SYM-XT-BESPOKE |
|-------------------------|---------|------------|------------|-------------|----------------|
|                         | Basic   | Better     | Superior   | Premium     | Deluxe         |
| Warranty                | 2 Years | 2 Years    | 2 Years    | 5 Years     | 5 Years        |
| Height                  | 15 3/8" | 15 5/8"    | 20 1/8"    | 15 5/8"     | 20 1/8"        |
| Depth                   | 4 1/8"  | 6 1/8"     | 11 3/4"    | 6 1/8"      | 11 3/4"        |
| 3 Speed Motor           | ✓       | ✓          | ✓          | ✓           | ✓              |
| Choice of Media         | ✗       | ✗          | ✓          | ✓           | ✓              |
| Max BTU for Heat Output | 5000BTU | 5000BTU    | 10,000BTU* | 5000BTU     | 10,000BTU*     |
| Wifi                    | ✓       | ✓          | ✓          | ✓           | ✓              |
| Outdoor Approved        | ✗       | ✓          | ✓          | ✓           | ✓              |
| Bluetooth               | ✗       | ✗          | ✗          | ✓           | ✓              |
| Speaker                 | ✗       | ✗          | ✗          | ✓           | ✓              |
| Included Media Kit      | ✓       | ✓          | ✓          | ✓           | ✓              |
| Remote Control          | ✓       | ✓          | ✓          | ✓           | ✓              |
| Retail Price            |         |            |            |             |                |
| 34"                     | ✗       | \$1699     | \$2,499    | \$2,199     | ✗              |
| 42"                     | \$1499  | \$1899     | \$2,899    | \$2,399     | ✗              |
| 50"                     | \$1699  | \$2,099    | \$3,599    | \$2,699     | \$3,999        |
| 60"                     | \$1799  | \$2,299    | \$3,999    | \$2,999     | \$4,699        |
| 74"                     | ✗       | TBD        | \$4,399    | \$3,399     | \$4,899        |
| 88"                     | ✗       | \$3,099    | \$4,699    | \$3,799     | \$5,499        |
| 100"                    | ✗       | TBD        | \$4,999    | \$4,199     | \$5,899        |

# Amantii Electric Fireplaces Guide



## TRU VIEW - 3 Sided

|                          | CUBE 2025WM | TRU VIEW SLIM | TRU-VIEW-XL | TRU-VIEW XT XL | TRU-VIEW BESPOKE |
|--------------------------|-------------|---------------|-------------|----------------|------------------|
|                          | Better      | Better        | Superior    | Premium        | Deluxe           |
| Warranty                 | 2 Years     | 2 Years       | 2 Years     | 2 Years        | 5 Years          |
| Height                   | 25"         | 26 5/8"       | 26 5/8"     | 33"            | 29 3/8"          |
| Depth                    | 11 3/4"     | 10 5/8"       | 14 1/4"     | 13 3/4"        | 15"              |
| 3 Speed Motor            | ✓           | ✓             | ✓           | ✓              | ✓                |
| Choice of Media          | ✗           | ✗             | ✓           | ✓              | ✓                |
| Wifi                     | ✓           | ✓             | ✓           | ✓              | ✓                |
| Bluetooth                | ✗           | ✗             | ✗           | ✗              | ✓                |
| Speaker                  | ✗           | ✗             | ✗           | ✗              | ✓                |
| Included Media Kit       | ✓           | ✓             | ✓           | ✓              | ✓                |
| Max BTU for Heat Output* | 5000BTU     | 5000BTU       | 10,000BTU*  | 10,000BTU*     | 10,000BTU*       |
| Remote Control           | ✓           | ✓             | ✓           | ✓              | ✓                |
| Outdoor Approved         | ✓           | ✓             | ✓           | ✓              | ✓                |
| Interconnectable Units   | ✗           | ✗             | ✗           | ✗              | ✓                |
| Retail Price             |             |               |             |                |                  |
| 20"x25"                  | \$1799      | ✗             | ✗           | ✗              | ✗                |
| 30"                      | ✗           | \$2,499       | ✗           | ✗              | ✗                |
| 40"                      | ✗           | \$2,699       | \$2,999     | \$3,499        | ✗                |
| 45"                      | ✗           | ✗             | ✗           | ✗              | \$3,699          |
| 50"                      | ✗           | \$2,799       | \$3,599     | \$3,899        | ✗                |
| 55"                      | ✗           | ✗             | ✗           | ✗              | \$4,099          |
| 60"                      | ✗           | \$3,099       | \$3,999     | \$4,399        | ✗                |
| 65"                      | ✗           | ✗             | ✗           | ✗              | \$4,699          |
| 72"                      | ✗           | \$3,899       | \$4,399     | \$4,699        | ✗                |
| 75"                      | ✗           | ✗             | ✗           | ✗              | \$4,899          |
| 85"                      | ✗           | ✗             | ✗           | ✗              | \$5,299          |
| 88"                      | ✗           | ✗             | ✗           | \$4,999        | ✗                |

# Amantii Electric Fireplaces Guide



## TRADITIONAL

|                                | TRD EXTRA SLIM | TRD LUMINA   | TRD LUMINA INSERT  | TRD BESPOKE   | TRD BESPOKE INSERT  |
|--------------------------------|----------------|--|--|---|---|
|                                | Basic          | Better   | Superior   | Premium   | Deluxe  |
| Warranty                       | 2 Years        | 2 Years  | 2 Years  | 5 Years   | 5 Years   |
| Height                         | 16 3/4"        | 26"-16 3/4"<br>30"-19 1/8"<br>33"-22 1/4"<br>38"-27 1/4"<br>44"-31 5/8"<br>48"-41 1/8" | 26"-16 3/4"<br>30"-19 1/8"<br>33"-22 1/4"<br>38"-27 1/4"<br>44"-31 5/8"<br>48"-41 1/8" | 30"-19 1/8"<br>33"-22 1/4"<br>38"-27 1/4"<br>44"-31 5/8"<br>48"-41 1/8" | 30"-19 1/8"<br>33"-22 1/4"<br>38"-27 1/4"<br>44"-31 5/8"<br>48"-41 1/8" |
| Depth                          | 4 1/8"         | 26"-11 3/8"<br>30"-11 3/8"<br>33"-11 3/8"<br>38"-12 3/8"<br>44"-13 3/4"<br>48"-13 3/4" | 26"-11 3/8"<br>30"-11 3/8"<br>33"-11 3/8"<br>38"-12 3/8"<br>44"-13 3/4"<br>48"-13 3/4" | 30"-11 3/8"<br>33"-11 3/8"<br>38"-12 3/8"<br>44"-13 3/4"<br>48"-13 3/4" | 30"-11 3/8"<br>33"-11 3/8"<br>38"-12 3/8"<br>44"-13 3/4"<br>48"-13 3/4" |
| 3 or 4 Sided Trim kit Required | ✗              | ✗  | ✓  | ✗   | ✓   |
| 3 Speed Motor                  | ✓              | ✓  | ✓  | ✓   | ✓   |
| Choice of Media                | ✗              | ✗  | ✗  | ✓   | ✓   |
| Wifi                           | ✓              | ✓  | ✓  | ✓   | ✓   |
| Outdoor Approved               | ✗              | ✓  | ✓  | ✓   | ✓   |
| Max BTU for Heat Output        | 5000BTU        | 5000BTU  | 5000BTU  | 5000BTU   | 5000BTU   |
| Bluetooth                      | ✗              | ✗  | ✗  | ✓   | ✓   |
| Speaker                        | ✗              | ✗  | ✗  | ✓   | ✓   |
| Included media kit             | ✓              | ✓  | ✓  | ✓   | ✓   |
| Remote Control                 | ✓              | ✓  | ✓  | ✓   | ✓   |
| Retail Price                   |                |  |  |   |   |
| 26"                            | \$1499         | \$1599   | \$1599 +(3sided Trim kit - \$299 or 4 sided -\$399)                                    | ✗   | ✗   |
| 30"                            | \$1699         | \$1899   | \$1899 +(3sided Trim kit - \$299 or 4 sided -\$399)                                    | \$2699  | \$2699+(3sided Trim kit - \$299 or 4 sided -\$399)                      |
| 33"                            | \$1899         | \$2199   | \$2199 +(3sided Trim kit - \$299 or 4 sided -\$399)                                    | \$2999  | \$2999+(3sided Trim kit - \$299 or 4 sided -\$399)                      |
| 38"                            | ✗              | \$2499   | \$2499 +(3sided Trim kit - \$299 or 4 sided -\$399)                                    | \$3399  | \$3399+(3sided Trim kit - \$299 or 4 sided -\$399)                      |
| 44"                            | ✗              | \$2899   | ✗  | \$3799  | ✗   |
| 48"                            | ✗              | \$3699   | ✗  | \$4399  | ✗   |



# Amantii Electric Fireplaces Guide



## PANORAMA

|                         | BI-XS   | BI-SLIM | BI-DEEP  | BI-DEEP-XT |
|-------------------------|---------|---------|----------|------------|
|                         | Basic   | Better  | Superior | Premium    |
| Warranty                | 2 Years | 2 Years | 2 Years  | 2 Years    |
| Height                  | 19 7/8" | 23 5/8" | 23 5/8"  | 29 1/2"    |
| Depth                   | 4"      | 6 3/4"  | 12"      | 12 5/8"    |
| 3 Speed Motor           | ✓       | ✓       | ✓        | ✓          |
| Choice of Media         | ✗       | ✗       | ✗        | ✓          |
| Included Media kit      | ✓       | ✓       | ✓        | ✓          |
| Wifi                    | ✓       | ✓       | ✓        | ✓          |
| Outdoor Approved        | ✓       | ✓       | ✓        | ✓          |
| Bluetooth               | ✗       | ✗       | ✗        | ✗          |
| Max BTU for Heat Output | 5000BTU | 5000BTU | 5000BTU  | 10,000BTU* |
| Speaker                 | ✗       | ✗       | ✗        | ✗          |
| Remote Control          | ✓       | ✓       | ✓        | ✓          |
| Retail Price            |         |         |          |            |
| 30"                     | \$1399  | ✗       | ✗        | ✗          |
| 40"                     | \$1699  | \$1999  | \$2899   | \$3199     |
| 50"                     | \$1999  | \$2299  | \$3399   | \$3599     |
| 60"                     | \$2299  | \$2499  | \$3799   | \$4199     |
| 72"                     | ✗       | \$2899  | \$4199   | \$4499     |
| 88"                     | ✗       | \$3399  | \$4499   | \$4899     |

# Amantii Electric Fireplaces Guide

FREESTANDING



|                           | CUBE 2025WM | FS-26-922 Lumina | Lynwood Cast Iron E-50 | Lynwood Cast Iron E-70 | Lynwood W-76 Wood-Burning Stove  |
|---------------------------|-------------|------------------|------------------------|------------------------|----------------------------------|
|                           | Better      | Better           | Superior               | Superior               | Premium                          |
| Warranty                  | 2 Years     | 2 Years          | 2 Years                | 2 Years                | 2 Years                          |
| Height                    | 25"         | 28"              | 28 1/4"                | 28 1/4"                | 29 1/2"                          |
| Depth                     | 11 3/4"     | 17 1/2"          | 17 1/2"                | 17 1/2"                | 19 1/8"                          |
| 3 Speed Motor             | ✓           | ✓                | ✓                      | ✓                      | ✓                                |
| Choice of Media           | ✗           | ✗                | ✗                      | ✗                      | ✓                                |
| Wifi                      | ✓           | ✓                | ✓                      | ✓                      | ✓                                |
| Outdoor Approved          | ✓           | ✗                | ✗                      | ✗                      | ✗                                |
| Bluetooth                 | ✗           | ✗                | ✗                      | ✗                      | ✗                                |
| Speaker                   | ✗           | ✗                | ✗                      | ✗                      | ✗                                |
| Included Media Kit        | ✓           | ✓                | ✓                      | ✓                      | ✓                                |
| Max BTU for Heat Output*  | 5000BTU     | 5000BTU          | 5000BTU                | 5000BTU                | 13784 to 57674 BTU/hr            |
| Remote Control            | ✓           | ✓                | ✓                      | ✓                      | ✓                                |
| Required Clearance Shield | ✗           | ✗                | ✗                      | ✗                      | ✓                                |
| Retail Price              | \$1799      | \$1699           | \$1999                 | \$2399                 | \$4395<br>Clearance Shield \$299 |

# Amantii Electric Fireplaces Guide

## INSERTS



|                                | INS-FM-30 | INS-FM-34 | TRD LUMINA INSERT                                    | TRD BESPOKE INSERT                                  |
|--------------------------------|-----------|-----------|--|---|
|                                | Better    | Better    | Superior   | Deluxe  |
| Warranty                       | 2 Years   | 2 Years   | 2 Years  | 5 Years   |
| Height                         | 19"       | 23 1/8"   | 16 3/4" - 41 1/8"                                    | 19 1/8" - 41 1/8"                                   |
| Depth                          | 8 1/2"    | 8 1/2"    | 11 3/8" - 13 3/4"                                    | 11 3/8" - 13 3/4"                                   |
| 3 or 4 Sided Trim kit Required | ✗         | ✗         | ✓  | ✓   |
| 3 Speed Motor                  | ✓         | ✓         | ✓  | ✓   |
| Choice of Media                | ✗         | ✗         | ✗  | ✓   |
| Wifi                           | ✓         | ✓         | ✓  | ✓   |
| Outdoor Approved               | ✗         | ✗         | ✓  | ✓   |
| Max BTU for Heat Output        | 5000BTU   | 5000BTU   | 5000BTU  | 5000BTU   |
| Bluetooth                      | ✗         | ✗         | ✗  | ✓   |
| Speaker                        | ✗         | ✗         | ✗  | ✓   |
| Included media kit             | ✓         | ✓         | ✓  | ✓   |
| Remote Control                 | ✓         | ✓         | ✓  | ✓   |
| Retail Price                   |           |           |  |   |
| 26"                            | ✗         | ✗         | \$1599 +(3sided Trim kit - \$299 or 4 sided - \$399) | ✗   |
| 30"                            | \$2199    | ✗         | \$1899 +(3sided Trim kit - \$299 or 4 sided - \$399) | \$2699+(3sided Trim kit - \$299 or 4 sided - \$399) |
| 33"                            | ✗         | ✗         | \$2199 +(3sided Trim kit - \$299 or 4 sided - \$399) | \$2999+(3sided Trim kit - \$299 or 4 sided - \$399) |
| 34"                            | ✗         | \$2399    | ✗  | ✗   |
| 38"                            | ✗         | ✗         | \$2499 +(3sided Trim kit - \$299 or 4 sided - \$399) | \$3399+(3sided Trim kit - \$299 or 4 sided - \$399) |
| 44"                            | ✗         | ✗         | ✗  | ✗   |
| 48"                            | ✗         | ✗         | ✗  | ✗   |



CE30

## TECH SPECIFICATIONS

CLASSIC23  
51.2 cm x 60.9 cm x 20.8 cm  
20" x 24" x 8"

CLASSIC28  
59.4 cm x 74.9 cm x 20.8 cm  
23" x 29.50" x 8"

CLASSIC33  
66.5 cm x 87.0 cm x 23.9 cm  
26" x 34.2" x 8"





**FEATURES**

- This fireplace delivers realistic flames that replicates natural fire.
- It comes complete with tempered front glass, a plug kit for easy installation, and a mood-maker remote control for added convenience.
- With a powerful fan-forced heater, it efficiently warms spaces up to 500 square feet, ensuring cozy comfort whenever needed.
- Handcrafted and molded from real wood logs, the included logs feature inner lit LED lights, creating a captivating pulsating effect that mimics the glow of burning embers.
- WiFi App – For complete control from any room. Set the fireplace to turn on before arriving home, or have it turn on automatically when the weather is cold.
- The flame color has the capability to transition through a spectrum of 15 distinct hues



| PART NUMBER | DESCRIPTION   | 2024 MSRP  |
|-------------|---|------------|
| CE26        | Classic Edition 26" WiFi Enabled Insert Electric Fireplace, Featuring Customizable Flame Speeds, Brightness, and Colors. Complete with Log and Grey Brick, plus a Fixed Trim included | \$899.00   |
| CE30        | Classic Edition 30" WiFi Enabled Insert Electric Fireplace, Featuring Customizable Flame Speeds, Brightness, and Colors. Complete with Log and Grey Brick, plus a Fixed Trim included | \$1,099.00 |
| CE33        | Classic Edition 33" WiFi Enabled Insert Electric Fireplace, Featuring Customizable Flame Speeds, Brightness, and Colors. Complete with Log and Grey Brick, plus a Fixed Trim included | \$1,399.00 |



EVO4220

## TECH SPECIFICATIONS

EVO3620  
 49.2 x 91.5 x 13.1 cm  
 19 1/2" x 36" x 5 1/8"

EVO4220  
 49.2 x 106.7 x 13.1 cm  
 19 1/2" x 42" x 5 1/8"

EVO5020  
 49.2 x 127 x 13.1 cm  
 19 1/2" x 50" x 5 1/8"

EVO6020  
 49.2 x 152.4 x 13.2 cm  
 19 1/2" x 60" x 5 1/8"



EVO5020

## FEATURES

- Remote Control Convenience: Take control of your fireplace from any room
- Easy Installation: Designed for hassle-free installation
- Ready to use straight out of the box—simply hang it on the wall and plug it into a standard 120V outlet.
- Efficiently heat large rooms up to 400 square feet with the powerful 5000 BTU and 1500 Watt output of this unit.
- The black, nearly frameless design of this modern linear electric fireplace creates a minimalist look that complements your décor while enhancing the visual appeal of the flames.
- The controls are user-friendly, illuminating when needed and dimming when not in use. This design ensures complete control with out the illuminated buttons detracting from the fireplace’s overall appearance while you relax.
- Enjoy this fireplace any time of day with high-intensity LED lights in both the flames and ember bed, ensuring a captivating view regardless of the surrounding light conditions.
- No need to get up—you can operate this fireplace from the comfort of your favorite spot using the included full-feature remote control



| PART NUMBER | DESCRIPTION   | 2024 MSRP  |
|-------------|---|------------|
| EVO3620     | Evolution 36" WiFi Enabled Wall Mounted Electric Fireplace, Featuring Customizable Flame Speeds, Brightness, and Colors. Comes with Clear Glass Media and Full Functions Remote | \$899.00   |
| EVO4220     | Evolution 42" WiFi Enabled Wall Mounted Electric Fireplace, Featuring Customizable Flame Speeds, Brightness, and Colors. Comes with Clear Glass Media and Full Functions Remote | \$999.00   |
| EVO5020     | Evolution 50" WiFi Enabled Wall Mounted Electric Fireplace, Featuring Customizable Flame Speeds, Brightness, and Colors. Comes with Clear Glass Media and Full Functions Remote | \$1,199.00 |
| EVO6020     | Evolution 60" WiFi Enabled Wall Mounted Electric Fireplace, Featuring Customizable Flame Speeds, Brightness, and Colors. Comes with Clear Glass Media and Full Functions Remote | \$1,399.00 |







| PART NUMBER   | DESCRIPTION   | 2024 MSRP |
|---------------|---|-----------|
| 1A62H290-6309 | STOVE BRITE - Metallic Black Touch Up Paint- Metallic Black Color | \$49.00   |
| 1A62H290-1990 | STOVE BRITE - Satin Black Touch Up Paint- Satin Black Color       | \$49.00   |



SYM-50-XT-BLK-PDS 18PCE Oak



Make your space complete with the Contemporary Pedestal Display, which offers flexibility and simplicity in styling, allowing your space to include the luxury of a fireplace



SYM-50-XT-BLK-PDS 14PCE Split



The installation of an electric fireplace in your showroom using a Contemporary Pedestal Display is extremely simple. Requires no remodeling. Simply assemble the pedestal and storage, insert the fireplace, and plug it into a standard outlet. Because installation of these displays does not require any remodeling, structure modification, or permanent wiring, these displays can be easily moved around in your showroom.

Easy Installation, everything you need comes in the box.

## FEATURES

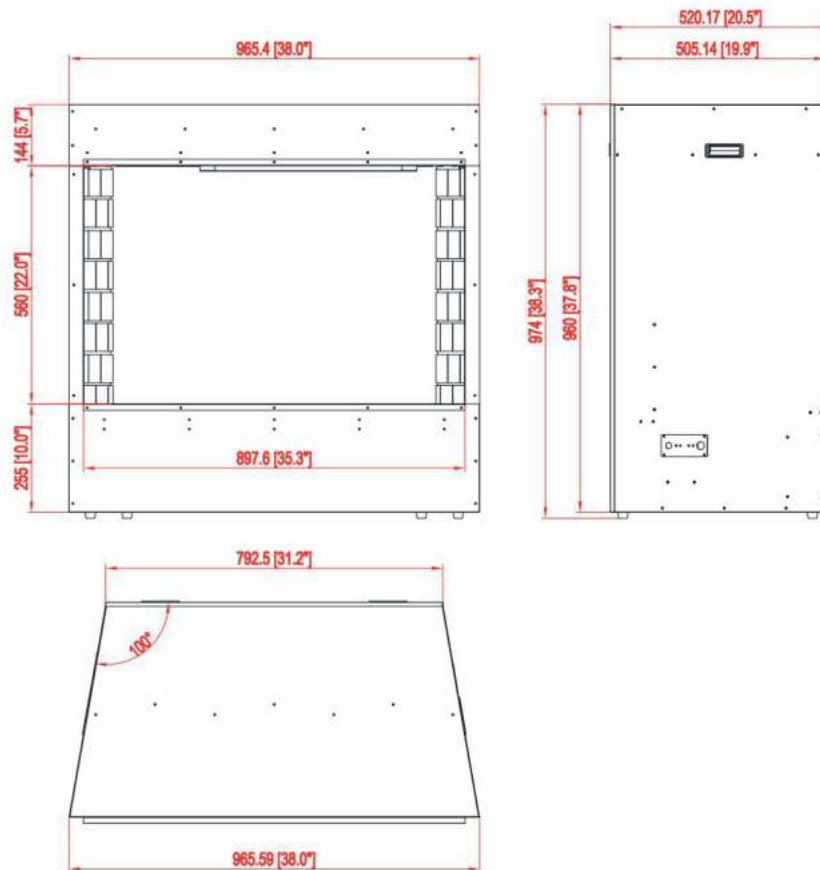
- Sleek European design
- Quick and easy assembly.
- Allows you to install/display fireplace anywhere in your room
- Transforms the fireplace into a freestanding unit
- Can be easily moved to another room
- Realistic log display area

| PART NUMBER       | DESCRIPTION  | 2024 MSRP |
|-------------------|--|-----------|
| TRD-26-BLK-PDS    | Contemporary Pedestal Display with Storage Compartment for TRD-26 - Blk Color    | \$449.00  |
| TRD-30-BLK-PDS    | Contemporary Pedestal Display with Storage Compartment for TRD-30 - Blk Color    | \$449.00  |
| TRD-33-BLK-PDS    | Contemporary Pedestal Display with Storage Compartment for TRD-33 - Blk Color    | \$449.00  |
| TRD-38-BLK-PDS    | Contemporary Pedestal Display with Storage Compartment for TRD-38 - Blk Color    | \$449.00  |
| SYM-50-XT-BLK-PDS | Contemporary Pedestal Display with Storage Compartment for SYM-50-XT - Blk Color | \$479.00  |



BI-TRD-38-SIG 15PCE Birch

## TECH SPECIFICATIONS





## FEATURES

- Optimyst® Flame Effect – Revolutionary, patented ultrasonic technology produces a fine mist of water vapour to create the illusion of flames and smoke. The plumbed water supply kit is included
- Flame Intensity Adjustment – Allows you to control the flame volume according to your preference.
- Continuous Water Supply – included plumbing water supply kit to ensure uninterrupted operation without the need for refilling water tanks.
- Zero Emissions – The most sustainable fireplace option; no emissions and 100% efficient.
- Innovative Fusion – A groundbreaking concept that seamlessly combines the warmth of a flame, exceptional quality, and immersive sound—introducing a fireplace with integrated audio.
- This model can only be built-in.
- Fire & Sound – Two (2) quality audio speakers deliver a crackling sound. The audio is an ON/OFF feature that can be controlled through the WiFi app. Available on the Google play store and the Apple App Store.
- Intuitive Remote (included) – Colorful Intuitive remote to adjust the flames, temperature, or timer. Patented Thermostatic remote. Can be set, adjusted, and programmed for your fireplace to turn on when you want and at the temperature you want.
- Flame Presentation – State of the art flame presentation: Vibrant, multi-colored state of the art flame presentation – change from Yellow to Orange to Red with just a click of the remote.
- WiFi App – For complete control from any room. Set the fireplace to turn on before arriving home, or have it turn on automatically when the weather is cold.
- Bluetooth Connectivity – Featuring a fireplace with high quality audio from Bluetooth speakers. Simply pair your phone with the fireplace and press play on your smartphone.
- Our tech specifications proudly detail 12.5 Amps dedicated to our fireplace with the heater on, complemented by 3.83 Amps for the Dimplex cassette, culminating in a total requirement of 17 Amps when the heater is set to high.



## DECORATIVE MEDIA & ACCESSORIES



LOG GRATE

YOUR CHOICE:



DESIGN-MEDIA-BIRCH-15PCE



DESIGN-MEDIA-DRIFT-15PCE



DESIGN-MEDIA-RUSTIC-14PCE



ICE-MEDIA-FI-109-DIAMOND



DESIGN-MEDIA-SPLIT-LOG-16PCE



DESIGN-MEDIA-OAK-18PCE

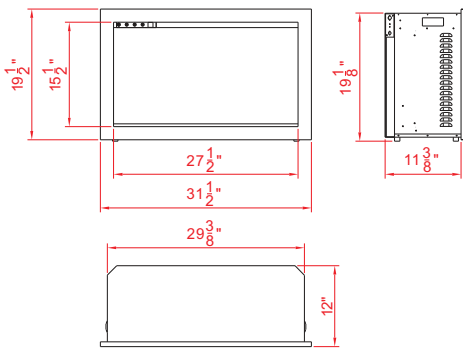
| PART NUMBER                  | DESCRIPTION   | 2024 MSRP       |
|------------------------------|---|-----------------|
| BI-TRD-38-SIG                | Amantii Signature 38" Built In Electric Fireplace with patented Optimyst technology by Dimplex, WiFi and Bluetooth Connectivity, Programmable Remote, Multi Speed Flame Motor, and a Selection of Media Options | \$5,899.00      |
| SIG-38-BGL                   | Black Glass Liner for BI-TRD-38-SIG - 2 Pieces  | \$269.00        |
| SIG-38-BRL                   | Used Brick Red Liner for BI-TRD-38-SIG - 2 Pieces   | \$269.00        |
| SIG-38-WBL                   | Wenge Brown Liner for BI-TRD-38-SIG - 2 Pieces  | \$269.00        |
| SIG-38-DBL                   | Dark Brown Liner for BI-TRD-38-SIG - 2 Pieces   | \$269.00        |
| DESIGN-MEDIA-15PCE           | DRIFTWOOD - 15 Piece Deluxe Media Kit Includes: 15 logs, stones, pebbles & embers   | Dealer's Choice |
| DESIGN-MEDIA-BIRCH-15PCE     | BIRCH - 15 Piece Deluxe Media Kit Includes: 15 logs, stones, pebbles & embers   | Dealer's Choice |
| DESIGN-MEDIA-14PCE           | RUSTIC - 14 Piece Deluxe Media Kit Includes: 14 logs, stones, pebbles & embers  | Dealer's Choice |
| DESIGN-MEDIA-SPLIT-LOG-16PCE | SPLIT LOG - 16 Piece Deluxe Media Kit Includes: 16 logs, stones, pebbles & embers   | Dealer's Choice |
| DESIGN-MEDIA-OAK-18PCE       | OAK - 18 Piece Deluxe Media Kit Includes: 18 logs, stones, pebbles & embers   | Dealer's Choice |
| Fi-109-Diamond               | Ice Media Kit Includes: 3 large glass rocks, 95 clear diamond media, 10 blue diamond media and a package of clear acrylic media   | Dealer's Choice |



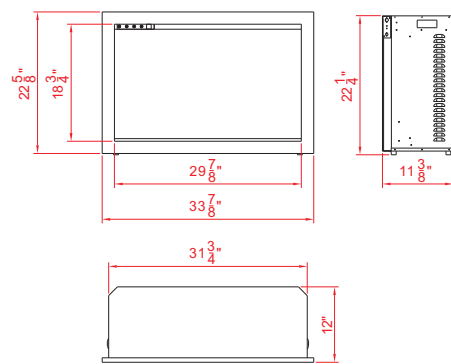
TRD-48-BESPOKE 15PCE Birch

## TECH SPECIFICATIONS

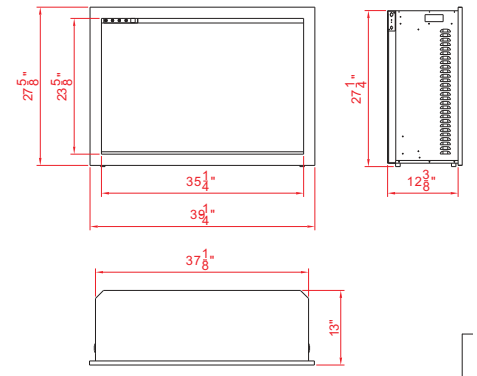
TRD-30-BESPOKE



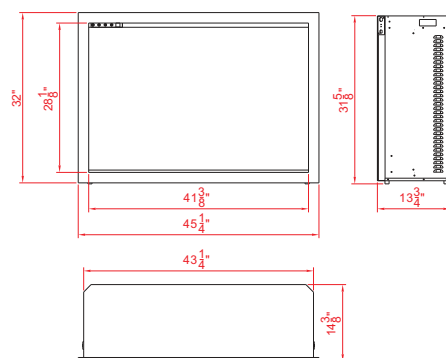
TRD-33-BESPOKE



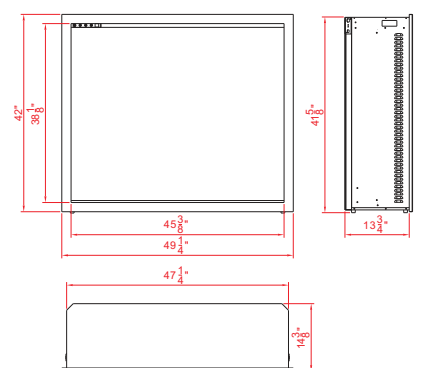
TRD-38-BESPOKE



TRD-44-BESPOKE



TRD-48-BESPOKE



**FEATURES**

- 5 Year Warranty
- Fire & Sound – Two (2) quality audio speakers deliver a fire crackling sound. The audio is an ON/OFF feature that can be controlled through the WiFi app.
- WiFi compatible to connect and control the fireplace from your smartphone with the use of our app. Available on the Google play store and the Apple App Store.
- Bluetooth Connectivity – Featuring a fireplace with high quality audio from Bluetooth speakers. Simply pair your phone with the fireplace and press play on your smartphone. 🎵
- Programmable timer & thermostat allows you to decide the temperature of the room. Set the fireplace to turn on before you arrive home or have it automatically turn on when the weather is cold.
- Smart Room Temperature Control - 59°F - 82°F or 15°C - 28°C
- 1465W 5000 BTU, heats up to 500 Sq. Ft.
- 50000 hours lifetime LED light source
- Approved for Outdoor Installations\*
- Designed with front flow heating and hidden venting so that the unit can be recessed or semi flush mounted
- A clean reduced trim kit allows for a large viewing area with true lifelike flames that can not be rivaled.
- Adjustable flame brightness and speed that can be controlled independently.
- Adjustable ember bed colors that allow for the possibility of auto mixing thousands of colors.
- Most quiet and reliable components in the industry
- Patented thermostatic remote comes included
- Masonry finish to trim option

**DECORATIVE MEDIA & ACCESSORIES**

Models come with a choice of a Design Media kit - Driftwood, Birch or Rustic, Oak 18PCE, Split, 12PCE Oak, or ICE media



LOG GRATE



YOUR CHOICE:



DESIGN-MEDIA-BIRCH-15PCE



DESIGN-MEDIA-DRIFT-15PCE



DESIGN-MEDIA-RUSTIC-14PCE



DESIGN-MEDIA-SPLIT-LOG-16PCE



DESIGN-MEDIA-OAK-18PCE



DESIGN-MEDIA-OAK-12PCE-LG



ICE-MEDIA-FI-109-DIAMOND



\*Manufacturer guidelines regarding outdoor installation must be followed. Please refer to the owner's manual for additional information

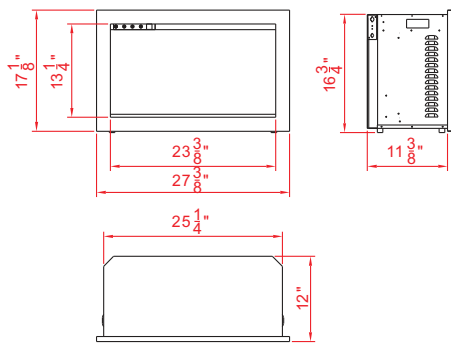
| PART NUMBER                | DESCRIPTION   | 2024 MSRP  |
|----------------------------|---|------------|
| TRD-30-BESPOKE <b>*New</b> | Traditional Bespoke - 30" Indoor / Outdoor Electric Insert Featuring, WiFi Compatibility, Bluetooth Connectivity, Multi Function Remote, and a Selection of Media Options | \$2,699.00 |
| TRD-33-BESPOKE             | Traditional Bespoke - 33" Indoor / Outdoor Electric Insert Featuring, WiFi Compatibility, Bluetooth Connectivity, Multi Function Remote, and a Selection of Media Options | \$2,999.00 |
| TRD-38-BESPOKE             | Traditional Bespoke - 38" Indoor / Outdoor Electric Insert Featuring, WiFi Compatibility, Bluetooth Connectivity, Multi Function Remote, and a Selection of Media Options | \$3,399.00 |
| TRD-44-BESPOKE             | Traditional Bespoke - 44" Indoor / Outdoor Electric Insert Featuring, WiFi Compatibility, Bluetooth Connectivity, Multi Function Remote, and a Selection of Media Options | \$3,799.00 |
| TRD-48-BESPOKE             | Traditional Bespoke - 48" Indoor / Outdoor Electric Insert Featuring, WiFi Compatibility, Bluetooth Connectivity, Multi Function Remote, and a Selection of Media Options | \$4,399.00 |
| AMTR33T <b>*New</b>        | Square trim for TRD-33  | \$329.00   |
| AMTR38T <b>*New</b>        | Square trim for TRD-38  | \$359.00   |
| AMTR44T <b>*New</b>        | Square trim for TRD-44  | \$399.00   |
| AMTR48T <b>*New</b>        | Square trim for TRD-48  | \$479.00   |
| AMTR33A <b>*New</b>        | Arch trim for TRD-33  | \$329.00   |
| AMTR38A <b>*New</b>        | Arch trim for TRD-38  | \$359.00   |
| AMTR44A <b>*New</b>        | Arch trim for TRD-44  | \$399.00   |
| AMTR48A <b>*New</b>        | Arch trim for TRD-48  | \$479.00   |



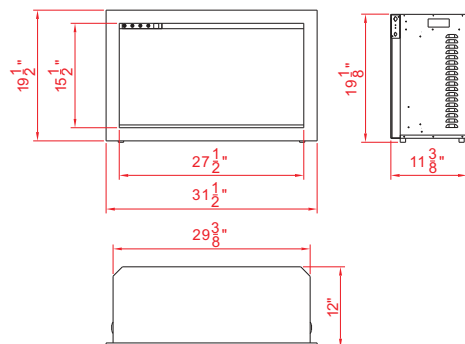
TRD-38-LUMINA-Arch Trim 12PCE Oak

## TECH SPECIFICATIONS

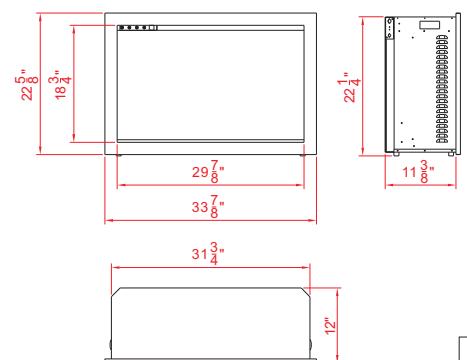
TRD-26 Lumina



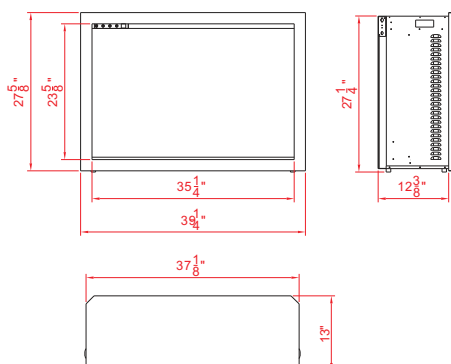
TRD-30 Lumina



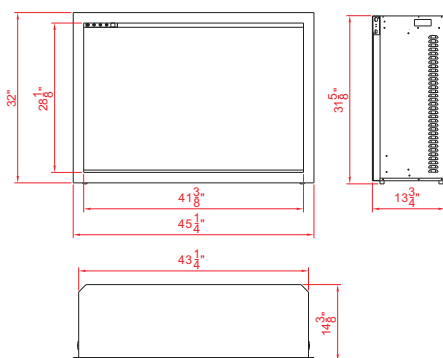
TRD-33 Lumina



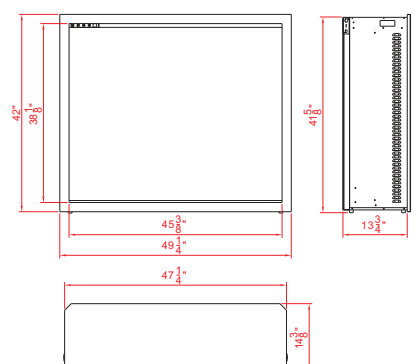
TRD-38 Lumina



TRD-44 Lumina



TRD-48 Lumina





## FEATURES

- 2 Year Warranty
- WiFi compatible to connect and control the fireplace from your smartphone with the use of our app. Available on the Google play store and the Apple App Store.
- Programmable timer & thermostat allows you to decide the temperature of the room. Set the fireplace to turn on before you arrive home or have it automatically turn on when the weather is cold.
- Smart Room Temperature Control - 59°F - 82°F or 15°C - 28°C
- 1465W 5000 BTU, heats up to 500 Sq. Ft.
- 50000 hours lifetime LED light source
- Approved for Outdoor Installations\*
- Designed with front flow heating and hidden venting so that the unit can be recessed or semi flush mounted
- A clean reduced trim kit allows for a large viewing area with true lifelike flames that can not be rivaled.
- Adjustable flame brightness and speed that can be turned on separately.
- Adjustable ember bed colors that allow for the possibility of auto mixing thousands of colors.
- Most quiet and reliable components in the industry
- Patented thermostatic remote comes included
- Masonry finish to trim option or Insert surround option

## DECORATIVE MEDIA & ACCESSORIES

Models come with Design Media Oak LG 12PCE, trim, 2 small bags of vermiculite, clear fireglass, remote and grate

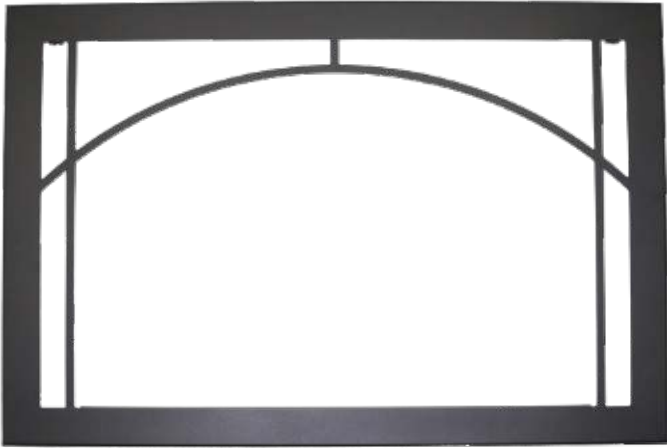


| PART NUMBER         | DESCRIPTION  | 2024 MSRP   |
|---------------------|--|-------------|
| TRD-26-LUMINA       | Traditional Lumina 26" Indoor Outdoor Smart Electric Fireplace, WiFi Enabled, Programmable Remote Control, Multi Flame Speeds, Comes with Real Glass and Oak Log Set | Coming Soon |
| TRD-30-LUMINA       | Traditional Lumina 30" Indoor Outdoor Smart Electric Fireplace, WiFi Enabled, Programmable Remote Control, Multi Flame Speeds, Comes with Real Glass and Oak Log Set | Coming Soon |
| TRD-33-LUMINA       | Traditional Lumina 33" Indoor Outdoor Smart Electric Fireplace, WiFi Enabled, Programmable Remote Control, Multi Flame Speeds, Comes with Real Glass and Oak Log Set | \$1,999.00  |
| TRD-38-LUMINA       | Traditional Lumina 38" Indoor Outdoor Smart Electric Fireplace, WiFi Enabled, Programmable Remote Control, Multi Flame Speeds, Comes with Real Glass and Oak Log Set | Coming Soon |
| TRD-44-LUMINA       | Traditional Lumina 44" Indoor Outdoor Smart Electric Fireplace, WiFi Enabled, Programmable Remote Control, Multi Flame Speeds, Comes with Real Glass and Oak Log Set | Coming Soon |
| TRD-48-LUMINA       | Traditional Lumina 48" Indoor Outdoor Smart Electric Fireplace, WiFi Enabled, Programmable Remote Control, Multi Flame Speeds, Comes with Real Glass and Oak Log Set | Coming Soon |
| AMTR33T <b>*New</b> | Square trim for TRD-33   | \$329.00    |
| AMTR38T <b>*New</b> | Square trim for TRD-38   | \$359.00    |
| AMTR44T <b>*New</b> | Square trim for TRD-44   | \$399.00    |
| AMTR48T <b>*New</b> | Square trim for TRD-48   | \$479.00    |
| AMTR33A <b>*New</b> | Arch trim for TRD-33   | \$329.00    |
| AMTR38A <b>*New</b> | Arch trim for TRD-38   | \$359.00    |
| AMTR44A <b>*New</b> | Arch trim for TRD-44   | \$399.00    |
| AMTR48A <b>*New</b> | Arch trim for TRD-48   | \$479.00    |



TRD-33-LUMINA 12PCE Oak Square Trim

New trims available for the TRD electric fireplace: choose between Arch and Square styles.



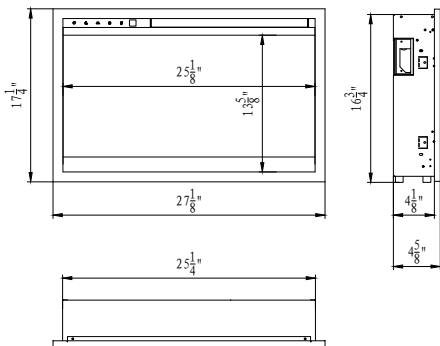
| PART NUMBER | DESCRIPTION            | 2024 MSRP |
|-------------|------------------------|-----------|
| AMTR33T     | Square trim for TRD-33 | \$329.00  |
| AMTR38T     | Square trim for TRD-38 | \$359.00  |
| AMTR44T     | Square trim for TRD-44 | \$399.00  |
| AMTR48T     | Square trim for TRD-48 | \$479.00  |
| AMTR33A     | Arch trim for TRD-33   | \$329.00  |
| AMTR38A     | Arch trim for TRD-38   | \$359.00  |
| AMTR44A     | Arch trim for TRD-44   | \$399.00  |
| AMTR48A     | Arch trim for TRD-48   | \$479.00  |



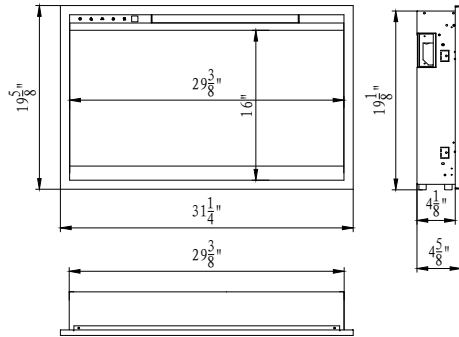


## TECH SPECIFICATIONS

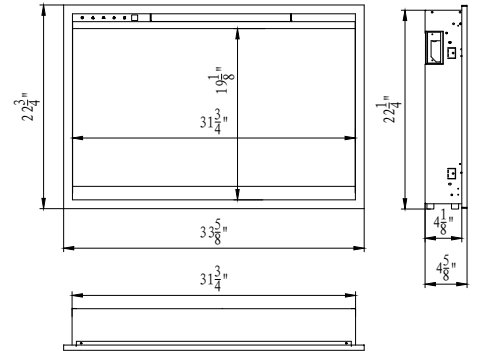
TRD-26-XS



TRD-30-XS



TRD-33-XS





**FEATURES**

- Modern and sleek in design, this unit can be mounted or recessed into any 2" x 4" wall
- Unsurpassed, realistic flames can be enjoyed with or without the use of heat, allowing for year round use
- Clean and Seamless in Design: this fireplace features a full frame viewing area
- WiFi controls come standard
- Remote App- total control of your fireplace from the convenience of your mobile device
- Operate this fireplace from the comfort of your favorite spot with the included, full feature, remote control
- 2 Heater settings Low - 733W - High 1465W
- 5000 BTU's
- Included Accessories: Clear glass diamond, black powder coated surround and a full featured remote control
- 11 multi colors of up lighting that accent from the tray
- Flame options include: yellow, orange, and red. 5 settings in each color, so you can cycle through
- 3 Speed motor sets the flame speed option
- Smart Heater Control - Auto mode feature allows for the unit to operate under your ideal temperature setting
- Perfect for any commercial or residential space

**DECORATIVE MEDIA & ACCESSORIES**

- **Included Media** – Clear glass diamonds, black powder coated surround and a full feature remote control



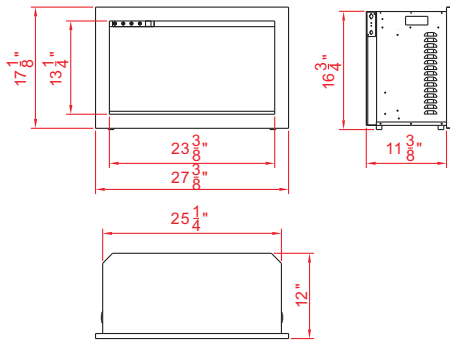
| PART NUMBER | DESCRIPTION   | 2024 MSRP  |
|-------------|---|------------|
| TRD-26-XS   | Traditional Xtraslim Smart Electric 26" WiFi Enabled Fireplace, Featuring a Multi Function Remote Control, Multi Flame Speeds and Clear Glass Media | \$1,499.00 |
| TRD-30-XS   | Traditional Xtraslim Smart Electric 30" WiFi Enabled Fireplace, Featuring a Multi Function Remote Control, Multi Flame Speeds and Clear Glass Media | \$1,699.00 |
| TRD-33-XS   | Traditional Xtraslim Smart Electric 33" WiFi Enabled Fireplace, Featuring a Multi Function Remote Control, Multi Flame Speeds and Clear Glass Media | \$1,899.00 |



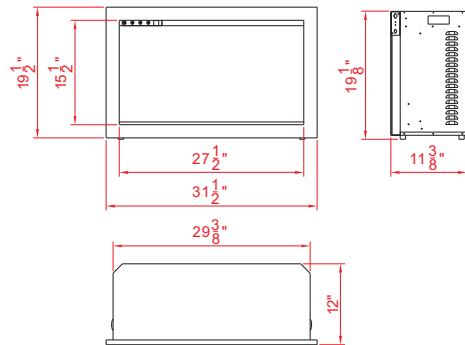
TRD-38-Smart 18PCE Oak

## TECH SPECIFICATIONS

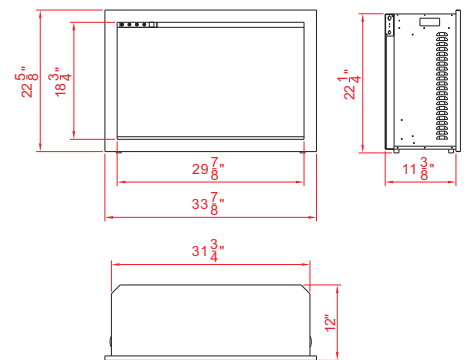
TRD-26 Smart



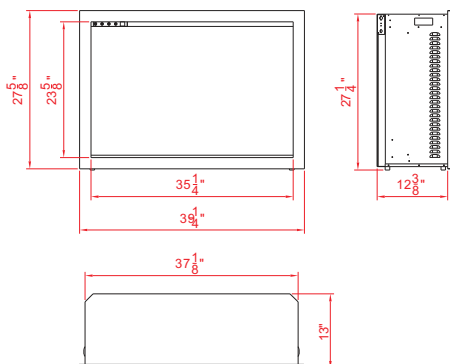
TRD-30 Smart



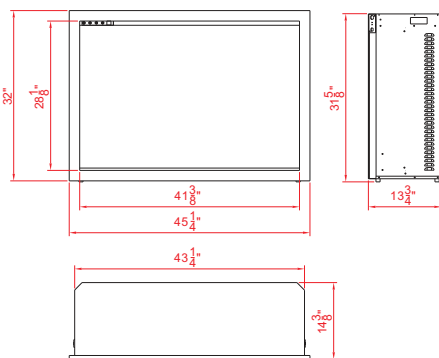
TRD-33 Smart



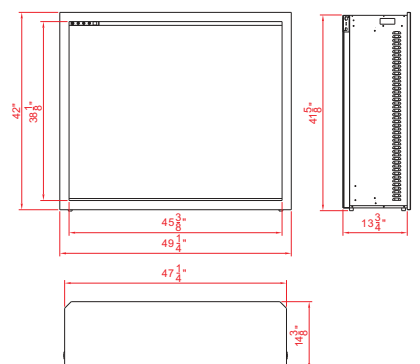
TRD-38 Smart



TRD-44 Smart



TRD-48 Smart



**FEATURES**

- Can be fully recessed or Semi Flush Mounted within a 2" x 4" wall.
- WiFi compatible to connect and control the fireplace from your smartphone with the use of our app. Available on the Google Play Store and the Apple App Store
- Three speed flame motor
- Choose from combinations of yellow, orange, and red colored flames
- Two flame pattern styles – standard and more traditional
- Flame operates with or without heat
- Choose from 11 color settings of canopy lighting (10 colors and a cycle thru setting)
- Touch pad for convenient control of features and temperature display on the fireplace
- Programmable timer & thermostat allows you to decide the temperature of the room. Set your fireplace to turn on before you arrive home or have it automatically turn on when the weather is cold
- Patented thermostatic remote comes included

**DECORATIVE MEDIA & ACCESSORIES**

- **Included Media** – 10 Piece Birch Style Log Set, 2 colors of real fireglass and 2 colors of vermiculite
- Unit ships complete with all the accessories inside the box

\*The 44" & 48" models come with two -10 piece birch log sets\*



| PART NUMBER | DESCRIPTION   | 2024 MSRP  |
|-------------|---|------------|
| TRD-26      | Traditional Smart Electric 26" Indoor / Outdoor WiFi Enabled Insert, Featuring a Multi Function Remote Control, Multi Flame Speeds, and a 10 Piece Birch Log Set    | \$1,499.00 |
| TRD-30      | Traditional Smart Electric 30" Indoor / Outdoor WiFi Enabled Insert, Featuring a Multi Function Remote Control, Multi Flame Speeds, and a 10 Piece Birch Log Set    | \$1,799.00 |
| TRD-33      | Traditional Smart Electric 33" Indoor / Outdoor WiFi Enabled Insert, Featuring a Multi Function Remote Control, Multi Flame Speeds, and a 10 Piece Birch Log Set    | SOLD OUT   |
| TRD-38      | Traditional Smart Electric 38" Indoor / Outdoor WiFi Enabled Insert, Featuring a Multi Function Remote Control, Multi Flame Speeds and a 10 Piece Birch Log Set     | \$2,399.00 |
| TRD-44      | Traditional Smart Electric 44" Indoor / Outdoor WiFi Enabled Insert, Featuring a Multi Function Remote Control, Multi Flame Speeds, and Two 10 Piece Birch Log Sets | \$2,899.00 |
| TRD-48      | Traditional Smart Electric 48" Indoor / Outdoor WiFi Enabled Insert, Featuring a Multi Function Remote Control, Multi Flame Speeds, and Two 10 Piece Birch Log Set  | \$3,499.00 |





SYM-50-XT Bespoke 16PCF Split

## FEATURES

- 5 Year Warranty
- Fire & Sound – Two (2) quality audio speakers deliver a fire crackling sound. The audio is an ON/OFF feature that can be controlled through the WiFi app.
- WiFi compatible to connect and control the fireplace from your smartphone with the use of our app. Available on the Google play store and the Apple App Store.
- Bluetooth Connectivity – Featuring a fireplace with high quality audio from Bluetooth speakers. Simply pair your phone with the fireplace and press play on your smartphone.
- Programmable timer & thermostat allows you to decide the temperature of the room. Set the fireplace to turn on before you arrive home or have it automatically turn on when the weather is cold.
- Smart Room Temperature Control - 59°F - 82°F or 15°C - 28°C
- 1465W 5000 BTU, heats up to 500 Sq. Ft. May also be wired to 240 volts to increase the BTU output to 10,230, heats up to 900 Sq. Ft.
- 50000 hours lifetime LED light source
- Approved for Outdoor Installations\*
- Designed with front flow heating and hidden venting so that the unit can be recessed or semi flush mounted.
- A clear reduced trim kit allows for a large viewing area with true lifelike flames that can not be rivaled.
- Adjustable flame brightness and speed that can be turned on separately.
- Adjustable ember bed colors that allow for the possibility of auto mixing thousands of colors
- Most quiet and reliable components in the industry
- Patented thermostatic remote comes included
- Masonry finish to trim option



## FLAME PRESENTATION



**Yellow Flame**



**Orange Flame**



**Red Flame**



### DECORATIVE MEDIA & ACCESSORIES

Models come with a choice of a Design Media kit - Driftwood, Birch or Rustic, Oak 18PCE, Split, 12PCE Oak, or ICE media



*\*Manufacturer guidelines regarding outdoor installation must be followed. Please refer to the owner's manual for additional information*

| PART NUMBER                    | DESCRIPTION   | 2024 MSRP       |
|--------------------------------|---|-----------------|
| SYM-50-XT-BESPOKE              | Symmetry Xtra Tall Bespoke - 50" Indoor / Outdoor Electric Built In featuring, WiFi Compatibility & Bluetooth Connectivity, MultiFunction Remote, and a Selection of Media Options  | \$3,999.00      |
| SYM-60-XT-BESPOKE              | Symmetry Xtra Tall Bespoke - 60" Indoor / Outdoor Electric Built In featuring, WiFi Compatibility & Bluetooth Connectivity, MultiFunction Remote, and a Selection of Media Options  | \$4,699.00      |
| SYM-74-XT-BESPOKE              | Symmetry Xtra Tall Bespoke - 74" Indoor / Outdoor Electric Built In featuring, WiFi Compatibility & Bluetooth Connectivity, MultiFunction Remote, and a Selection of Media Options  | \$4,899.00      |
| SYM-88-XT-BESPOKE <b>*New</b>  | Symmetry Xtra Tall Bespoke - 88" Indoor / Outdoor Electric Built In featuring, WiFi Compatibility & Bluetooth Connectivity, MultiFunction Remote, and a Selection of Media Options  | \$5,499.00      |
| SYM-100-XT-BESPOKE <b>*New</b> | Symmetry Xtra Tall Bespoke - 100" Indoor / Outdoor Electric Built In featuring, WiFi Compatibility & Bluetooth Connectivity, MultiFunction Remote, and a Selection of Media Options | \$5,899.00      |
| DESIGN-MEDIA-15PCE             | DRIFTWOOD - 15 Piece Deluxe Media Kit Includes: 15 logs, stones, pebbles & embers   | Dealer's Choice |
| DESIGN-MEDIA-BIRCH-15PCE       | BIRCH - 15 Piece Deluxe Media Kit Includes: 15 logs, stones, pebbles & embers   | Dealer's Choice |
| DESIGN-MEDIA-14PCE             | RUSTIC - 14 Piece Deluxe Media Kit Includes: 14 logs, stones, pebbles & embers  | Dealer's Choice |
| DESIGN-MEDIA-SPLIT-LOG-16PCE   | SPLIT LOG - 16 Piece Deluxe Media Kit Includes: 16 logs, stones, pebbles & embers   | Dealer's Choice |
| DESIGN-MEDIA-OAK-18PCE         | OAK - 18 Piece Deluxe Media Kit Includes: 18 logs, stones, pebbles & embers   | Dealer's Choice |
| Fi-109-Diamond                 | Ice Media Kit Includes: 3 large glass rocks, 95 clear diamond media, 10 blue diamond media and a package of clear acrylic media   | Dealer's Choice |

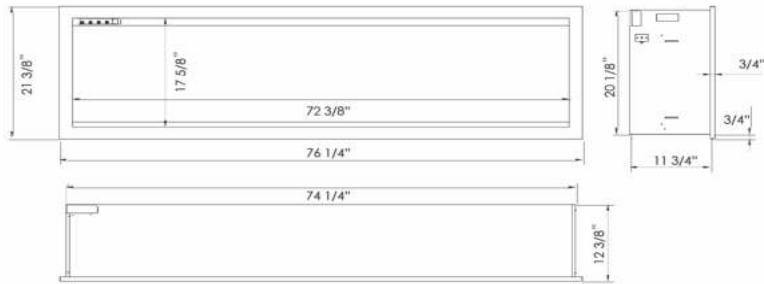
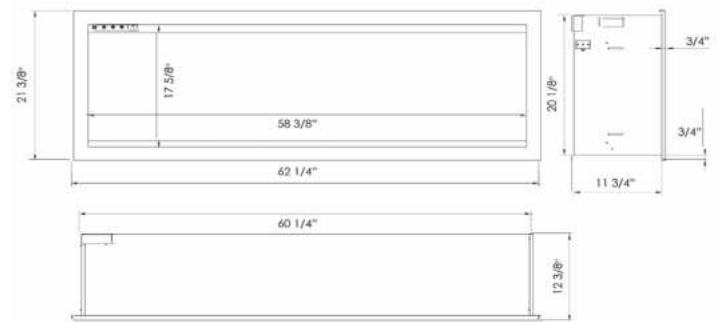
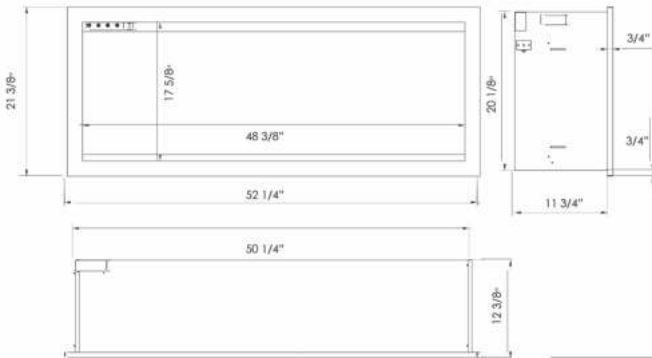


SYM-74-XTBESPOKE- 14PCE Split



SYM-50-XT-BESPOKE ICE MEDIA with Glass Nuggets

TECH SPECIFICATIONS







SYM-60-Bespoke 10PCE Birch

## FEATURES

- 5 Year Warranty
- Fire & Sound – Two (2) quality audio speakers deliver a fire crackling sound. The audio is an ON/OFF feature that can be controlled through the WiFi app
- WiFi compatible to connect and control the fireplace from your smartphone with the use of our app. Available on the Google Play Store and the Apple App Store
- Bluetooth Connectivity – Featuring a fireplace with high quality audio from Bluetooth speakers. Simply pair your phone with the fireplace and press play on your smartphone
- Programmable timer & thermostat allows you to decide the temperature of the room. Set the fireplace to turn on before you arrive home or have it automatically turn on when the weather is cold.
- Smart Room Temperature Control 59°F - 82°F or 15°C - 28°
- 1465W – 5000 BTU, heats up to 500 Sq. Ft.
- 50000 hours lifetime LED light source
- Approved for Outdoor Installations\*
- Designed with front flow heating and hidden venting so that the unit can be recessed or semi flush mounted
- A clear reduced trim kit allows for a large viewing area with true lifelike flames that cannot be rivaled
- Adjustable flame brightness and speed that can be controlled independently..
- Adjustable ember bed colors that allow for the possibility of auto mixing thousand of colors
- Most quiet and reliable components in the industry
- Patented thermostatic remote comes included
- Masonry finish to trim option



*\*Manufacturer guidelines regarding outdoor installation must be followed. Please refer to the owner's manual for additional information*



**DECORATIVE MEDIA & ACCESSORIES**

All units come with a choice of a Design Media Kit - Ice Media, 12 Pce Medium Oak, Ember Media Kit, 10 Pce Birch Log Set

|              |   |   |  |   |
|--------------|---|---|--|---|
| YOUR CHOICE: |  |  |  |  |
|              | ICE-MEDIA-FI-109-DIAMOND  | DESIGN-MEDIA-OAK-12PCE-MD   | DESIGN-MEDIA-BIRCH-10PCE   | EMBER MEDIA KIT   |

**FLAME PRESENTATION**



**Yellow Flame**



**Orange Flame**



**Red Flame**

| PART NUMBER                     | DESCRIPTION   | 2024 MSRP  |
|---------------------------------|---|------------|
| SYM-34-BESPOKE<br><i>*New</i>   | Symmetry Bespoke - 34" Indoor / Outdoor Electric Built In Fireplace featuring, WiFi Compatibility & Bluetooth Connectivity, MultiFunction Remote, and a Selection of Media Options  | \$2,199.00 |
| SYM-42-BESPOKE<br><i>*New</i>   | Symmetry Bespoke - 42" Indoor / Outdoor Electric Built In Fireplace featuring, WiFi Compatibility & Bluetooth Connectivity, MultiFunction Remote, and a Selection of Media Options  | \$2,399.00 |
| SYM-50-BESPOKE                  | Symmetry Bespoke - 50" Indoor / Outdoor Electric Built In Fireplace featuring, WiFi Compatibility & Bluetooth Connectivity, MultiFunction Remote, and a Selection of Media Options  | \$2,699.00 |
| SYM-60-BESPOKE                  | Symmetry Bespoke - 60" Indoor / Outdoor Electric Built In Fireplace featuring, WiFi Compatibility & Bluetooth Connectivity, MultiFunction Remote, and a Selection of Media Options  | \$2,999.00 |
| SYM-74-BESPOKE                  | Symmetry Bespoke - 74" Indoor / Outdoor Electric Built In Fireplace featuring, WiFi Compatibility & Bluetooth Connectivity, MultiFunction Remote, and a Selection of Media Options  | \$3,399.00 |
| SYM-88-BESPOKE<br><i>*New</i>   | Symmetry Bespoke - 88" Indoor / Outdoor Electric Built In Fireplace featuring, WiFi Compatibility & Bluetooth Connectivity, MultiFunction Remote, and a Selection of Media Options  | \$3,799.00 |
| SYM-100-BE-SPOKE<br><i>*New</i> | Symmetry Bespoke - 100" Indoor / Outdoor Electric Built In Fireplace featuring, WiFi Compatibility & Bluetooth Connectivity, MultiFunction Remote, and a Selection of Media Options | \$4,199.00 |

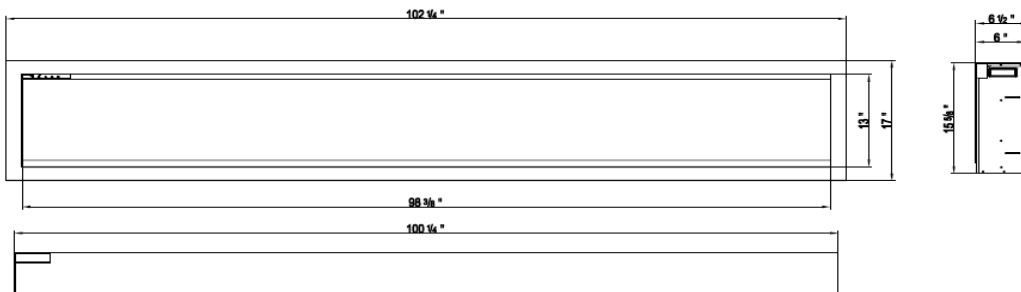
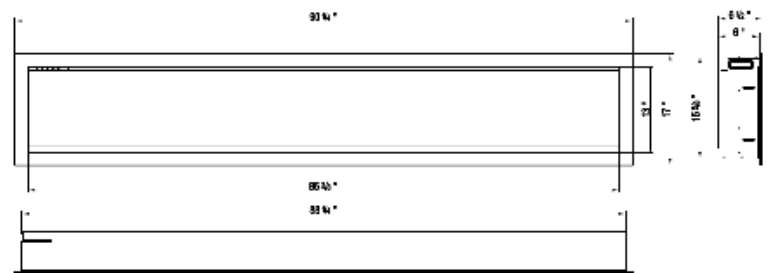
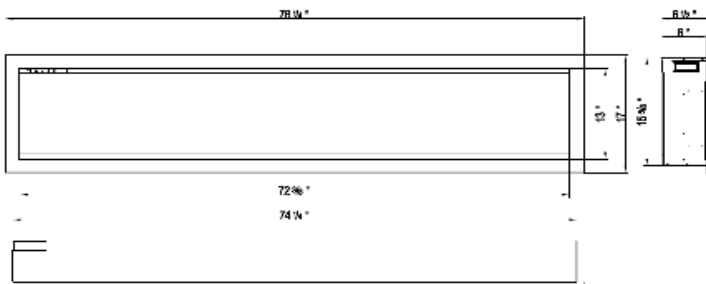
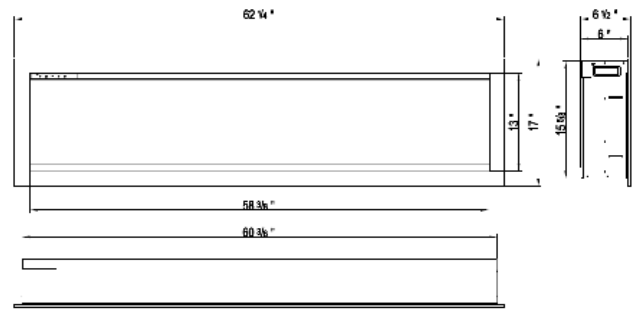
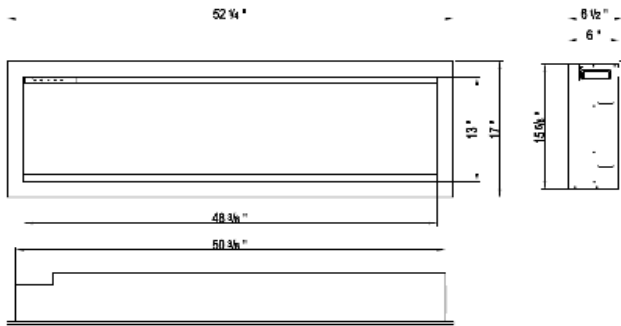
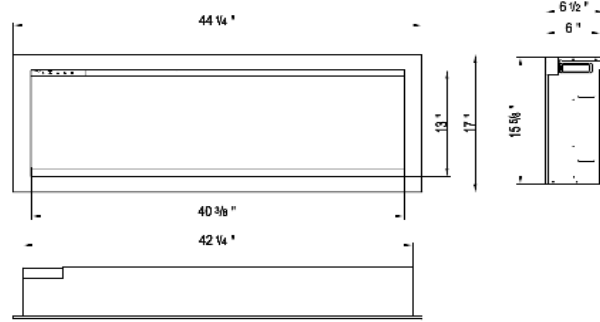
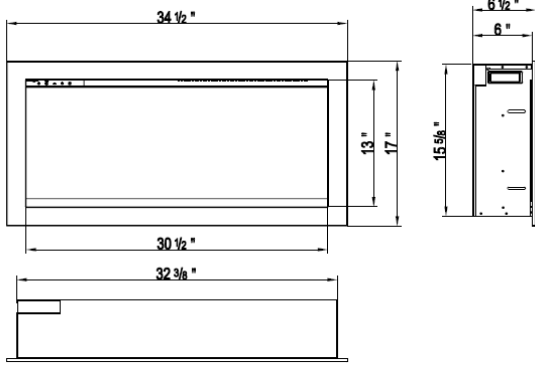


SYM-74-BESPOKE- 16PCE RUSTIC



SYM-60

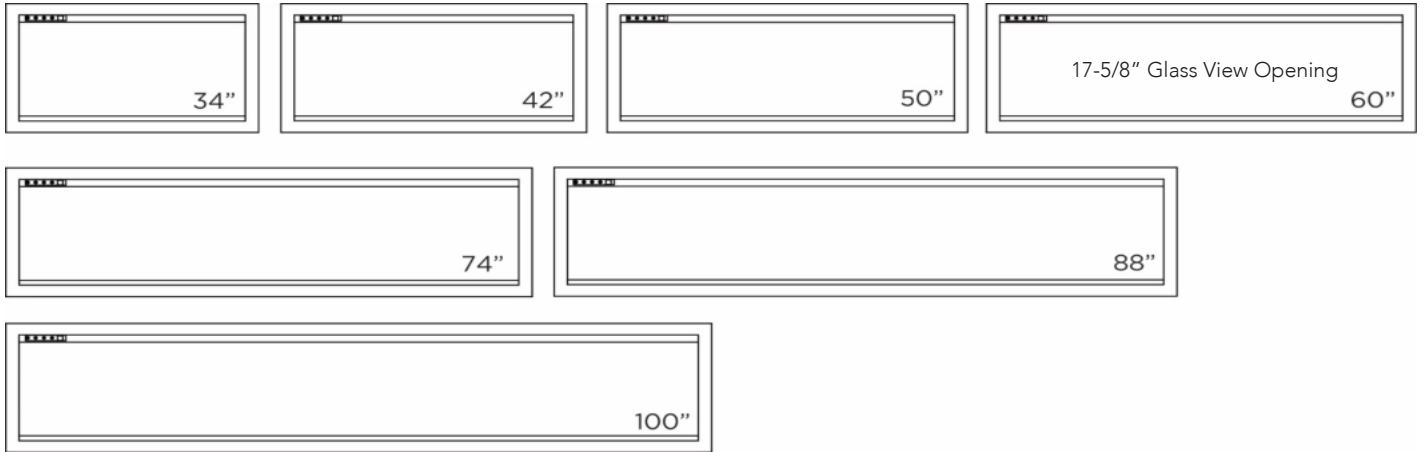
TECH SPECIFICATIONS





SYM-60-XT 15PCE Birch

## TECH SPECIFICATIONS





**FEATURES**

- Glass viewing area is 18" tall with no unsightly venting visible
- Two flame style patterns - standard and more traditional - you choose!
- Choose from combinations of yellow, orange and red colored flames.
- Flame operates with or without heat, perfect for zone heating
- Choose from 11 color settings of canopy lighting (10 colors and a cycle thru setting)
- Touch pad for convenient control of features with temperature display.
- WiFi compatible to connect and control the fireplace from your smart phone with the use of our app. Available on the Google Play Store and the Apple App Store
- Approved for Outdoor Installations
- Most quiet and reliable components in the industry
- Patented thermostatic remote comes included
- Three flame speed motor
- Programmable timer & thermostat allows you to decide the temperature of the room. Set your fireplace to turn on before you arrive home or have it automatically turn on when the weather is cold

**DECORATIVE MEDIA & ACCESSORIES**

- **Included Media** – Models come with a choice of a Design Media Kit – Driftwood, Birch, Rustic, 18 Piece Oak, Split Log, 12 Piece Oak or Ice Media



YOUR CHOICE:



DESIGN-MEDIA-BIRCH-15PCE



DESIGN-MEDIA-DRIFT-15PCE



DESIGN-MEDIA-RUSTIC-14PCE



DESIGN-MEDIA-SPLIT-LOG-16PCE



DESIGN-MEDIA-OAK-18PCE



ICE-MEDIA-FI-109-DIAMOND



\*Manufacturer guidelines regarding outdoor installation must be followed. Please refer to the owner's manual for additional information

| PART NUMBER | DESCRIPTION   | 2024 MSRP  |
|-------------|---|------------|
| SYM-34-XT   | Symmetry Xtra Tall Smart Electric 34" Indoor / Outdoor WiFi Enabled Fireplace, Featuring a MultiFunction Remote Control , Multi Speed Flame Motor, and a Selection of Media Options | \$2,499.00 |
| SYM-42-XT   | Symmetry Xtra Tall Smart Electric 42" Indoor / Outdoor WiFi Enabled Fireplace, Featuring a MultiFunction Remote Control , Multi Speed Flame Motor, and a Selection of Media Options | \$2,899.00 |
| SYM-50-XT   | Symmetry Xtra Tall Smart Electric 50" Indoor / Outdoor WiFi Enabled Fireplace, Featuring a MultiFunction Remote Control , Multi Speed Flame Motor, and a Selection of Media Options | \$3,599.00 |
| SYM-60-XT   | Symmetry Xtra Tall Smart Electric 60" Indoor / Outdoor WiFi Enabled Fireplace, Featuring a MultiFunction Remote Control , Multi Speed Flame Motor, and a Selection of Media Options | \$3,999.00 |
| SYM-74-XT   | Symmetry Xtra Tall Smart Electric 74" Indoor / Outdoor WiFi Enabled Fireplace, Featuring a MultiFunction Remote Control , Multi Speed Flame Motor, and a Selection of Media Options | \$4,399.00 |
| SYM-88-XT   | Symmetry Xtra Tall Smart Electric 88" Indoor / Outdoor WiFi Enabled Fireplace, Featuring a MultiFunction Remote Control , Multi Speed Flame Motor, and a Selection of Media Options | \$4,699.00 |
| SYM-100-XT  | Symmetry Xtra Tall Smart Electric 34" Indoor / Outdoor WiFi Enabled Fireplace, Featuring a MultiFunction Remote Control , Multi Speed Flame Motor, and a Selection of Media Options | \$4,999.00 |



SYM-74-LUMINA 12PCE Oak

## FEATURES

- Patented Thermostatic Remote Control
- Clear Reduced Trim Kit
- Masonry Finish to Trim Option
- 1465W 5000 BTU, heat up 400 sq ft room
- 50000 Hours Lifetime LED Light Source
- Smart Room Temperature Control 59°F–82°F or 15°C–28°C
- Improved Flame Effect
- Adjustable Flame Brightness
- Adjustable Flame Speed
- Adjustable Ember Bed Colors with possibility to auto mix thousands of colors
- Timer: Regular Timer (1–8 hours) and 7-Day Pre-Set Timer
- Flame and Ember Bed Glow can be on separately
- Whisper quiet heater/fan – “the most quiet fireplace in industry”
- Improved 11 Color Downlight
- Designed with front flow heating with hidden venting so that the unit can be recessed or semi flush mounted
- Slim frame that features a large viewing area with true life like LED flames that cannot be rivaled
- Programmable timer for automatic turn on or off at any set time. Set the fireplace to turn on before you arrive home or have it automatically turn on when the weather is cold.
- Thermostatic remote comes included
- Two unique flame styles – standard or more traditional
- The most reliable components in industry



**DECORATIVE MEDIA & ACCESSORIES**

Models comes with DESIGN-MEDIA-OAK-12PCE-MD, decorative glass media, surround, and a remote.



DESIGN-MEDIA-OAK-12PCE-MD



**FLAME PRESENTATION**



**Yellow Flame**



**Orange Flame**



**Red Flame**

| PART NUMBER    | DESCRIPTION   | 2024 MSRP   |
|----------------|---|-------------|
| SYM-34-LUMINA  | Symmetry Lumina 34" Indoor Outdoor Built In Smart Electric Fireplace, WiFi Enabled, Programmable Remote Control , Multi Speed Flame, Comes with Real Glass and Oak Log Set  | \$1,699.00  |
| SYM-42-LUMINA  | Symmetry Lumina 42" Indoor Outdoor Built In Smart Electric Fireplace, WiFi Enabled, Programmable Remote Control , Multi Speed Flame, Comes with Real Glass and Oak Log Set  | \$1,899.00  |
| SYM-50-LUMINA  | Symmetry Lumina 50" Indoor Outdoor Built In Smart Electric Fireplace, WiFi Enabled, Programmable Remote Control , Multi Speed Flame, Comes with Real Glass and Oak Log Set  | \$2,099.00  |
| SYM-60-LUMINA  | Symmetry Lumina 60" Indoor Outdoor Built In Smart Electric Fireplace, WiFi Enabled, Programmable Remote Control , Multi Speed Flame, Comes with Real Glass and Oak Log Set  | \$2,299.00  |
| SYM-74-LUMINA  | Symmetry Lumina 74" Indoor Outdoor Built In Smart Electric Fireplace, WiFi Enabled, Programmable Remote Control , Multi Speed Flame, Comes with Real Glass and Oak Log Set  | \$2,999.00  |
| SYM-88-LUMINA  | Symmetry Lumina 88" Indoor Outdoor Built In Smart Electric Fireplace, WiFi Enabled, Programmable Remote Control , Multi Speed Flame, Comes with Real Glass and Oak Log Set  | \$3,099.00  |
| SYM-100-LUMINA | Symmetry Lumina 100" Indoor Outdoor Built In Smart Electric Fireplace, WiFi Enabled, Programmable Remote Control , Multi Speed Flame, Comes with Real Glass and Oak Log Set | Coming Soon |



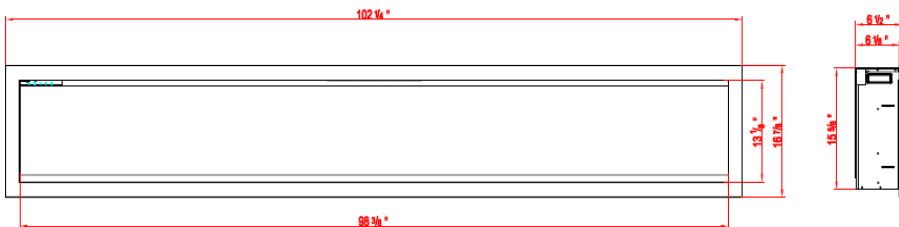
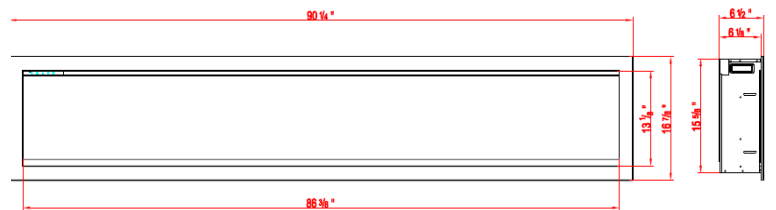
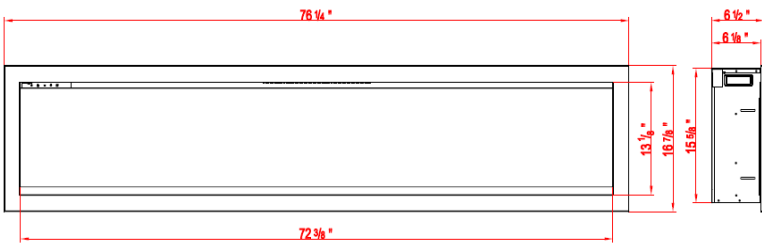
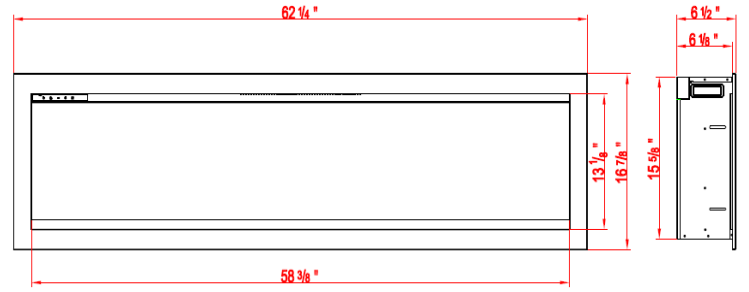
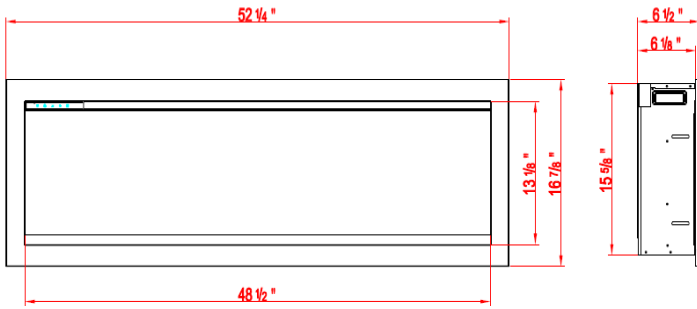
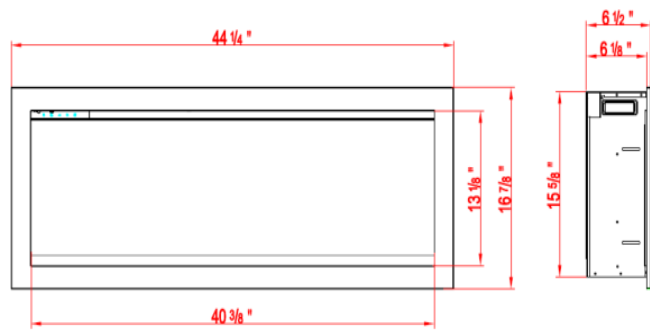
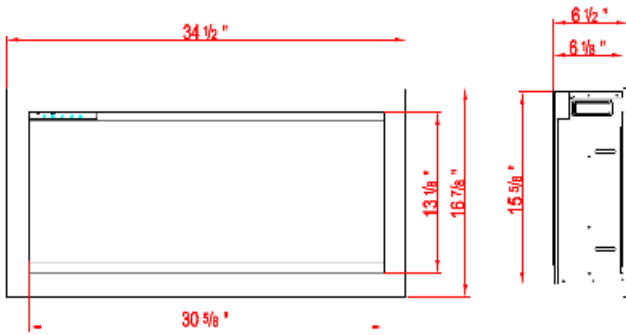


SYM-100-LUMINA 12PCE Oak



SYM-60-LUMINA ICE MEDIA Fi-107-Diamond

TECH SPECIFICATIONS





SYM-74-XT-LUMINA ICE Media

## FEATURES

- Glass viewing area is 18" tall with no unsightly venting visible
- WiFi compatible to connect and control the fireplace from your smartphone with the use of our app. Available on the Google play store and the Apple App Store.
- Programmable timer & thermostat allows you to decide the temperature of the room. Set the fireplace to turn on before you arrive home or have it automatically turn on when the weather is cold.
- Smart Room Temperature Control - 59°F - 82°F or 15°C - 28°C
- Patented thermostatic remote comes included
- Masonry finish to trim option
- Most quiet and reliable components in the industry
- 1465W 5000 BTU, heats up to 500 Sq. Ft. May also be wired to 240 volts to increase the BTU output to 10,230, heats up to 900 Sq. Ft.
- 50000 hours lifetime LED light source
- Approved for Outdoor Installations\*
- Designed with front flow heating and hidden venting so that the unit can be recessed or semi flush mounted.
- A clear reduced trim kit allows for a large viewing area with true lifelike flames that can not be rivaled.
- Adjustable flame brightness and speed that can be turned on separately.
- Adjustable ember bed colors that allow for the possibility of auto mixing thousands of colors





**DECORATIVE MEDIA & ACCESSORIES**

Models come with a choice of a Design Media Kit – Driftwood, Birch, Rustic, 18 Piece Oak, Split Log, 12 Piece Oak or Ice Media



YOUR CHOICE:



DESIGN-MEDIA-BIRCH-15PCE



DESIGN-MEDIA-DRIFT-15PCE



DESIGN-MEDIA-RUSTIC-14PCE



DESIGN-MEDIA-SPLIT-LOG-16PCE



DESIGN-MEDIA-OAK-18PCE



DESIGN-MEDIA-OAK-12PCE-LG



ICE-MEDIA-FI-109-DIAMOND

| PART NUMBER                  | DESCRIPTION   | 2024 MSRP       |
|------------------------------|---|-----------------|
| SYM-34-XT-LUMINA             | Symmetry Xtra Tall LUMINA 34" Indoor Outdoor Built In Smart Electric Fireplace, WiFi Enabled, Programable Remote Control , Multi Speed Flame, and a Selection of Media Options  | Coming Soon     |
| SYM-42-XT-LUMINA             | Symmetry Xtra Tall LUMINA 42" Indoor Outdoor Built In Smart Electric Fireplace, WiFi Enabled, Programable Remote Control , Multi Speed Flame, and a Selection of Media Options  | Coming Soon     |
| SYM-50-XT-LUMINA             | Symmetry Xtra Tall LUMINA 50" Indoor Outdoor Built In Smart Electric Fireplace, WiFi Enabled, Programable Remote Control , Multi Speed Flame, and a Selection of Media Options  | Coming Soon     |
| SYM-60-XT-LUMINA             | Symmetry Xtra Tall LUMINA 60" Indoor Outdoor Built In Smart Electric Fireplace, WiFi Enabled, Programable Remote Control , Multi Speed Flame, and a Selection of Media Options  | \$3,999.00      |
| SYM-74-XT-LUMINA             | Symmetry Xtra Tall LUMINA 74" Indoor Outdoor Built In Smart Electric Fireplace, WiFi Enabled, Programable Remote Control , Multi Speed Flame, and a Selection of Media Options  | \$4,399.00      |
| SYM-88-XT-LUMINA             | Symmetry Xtra Tall LUMINA 88" Indoor Outdoor Built In Smart Electric Fireplace, WiFi Enabled, Programable Remote Control , Multi Speed Flame, and a Selection of Media Options  | Coming Soon     |
| SYM-100-XT-LUMINA            | Symmetry Xtra Tall LUMINA 100" Indoor Outdoor Built In Smart Electric Fireplace, WiFi Enabled, Programable Remote Control , Multi Speed Flame, and a Selection of Media Options | Coming Soon     |
| DESIGN-MEDIA-15PCE           | DRIFTWOOD - 15 Piece Deluxe Media Kit Includes: 15 logs, stones, pebbles & embers   | Dealer's Choice |
| DESIGN-MEDIA-BIRCH-15PCE     | BIRCH - 15 Piece Deluxe Media Kit Includes: 15 logs, stones, pebbles & embers   | Dealer's Choice |
| DESIGN-MEDIA-14PCE           | RUSTIC - 14 Piece Deluxe Media Kit Includes: 14 logs, stones, pebbles & embers  | Dealer's Choice |
| DESIGN-MEDIA-SPLIT-LOG-16PCE | SPLIT LOG - 16 Piece Deluxe Media Kit Includes: 16 logs, stones, pebbles & embers   | Dealer's Choice |
| DESIGN-MEDIA-OAK-18PCE       | OAK - 18 Piece Deluxe Media Kit Includes: 18 logs, stones, pebbles & embers   | Dealer's Choice |
| Fi-109-Diamond               | Ice Media Kit Includes: 3 large glass rocks, 95 clear diamond media, 10 blue diamond media and a package of clear acrylic media   | Dealer's Choice |

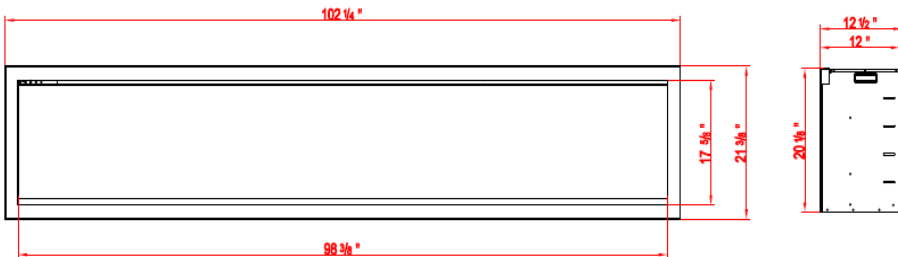
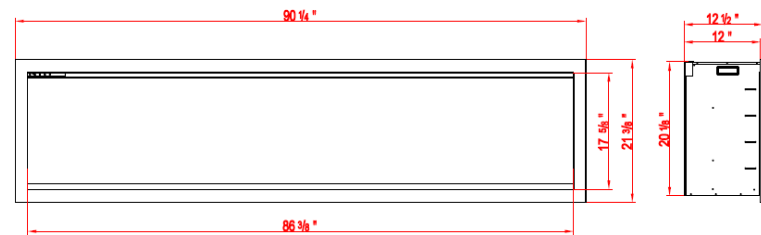
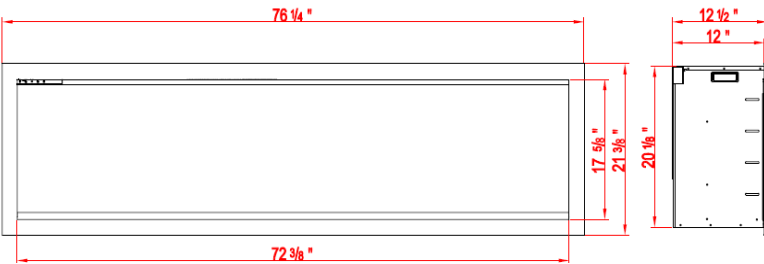
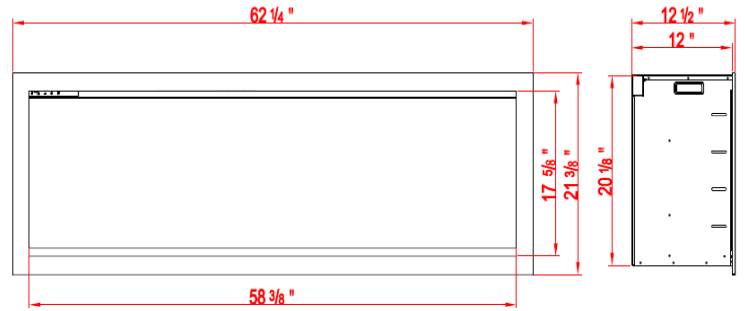
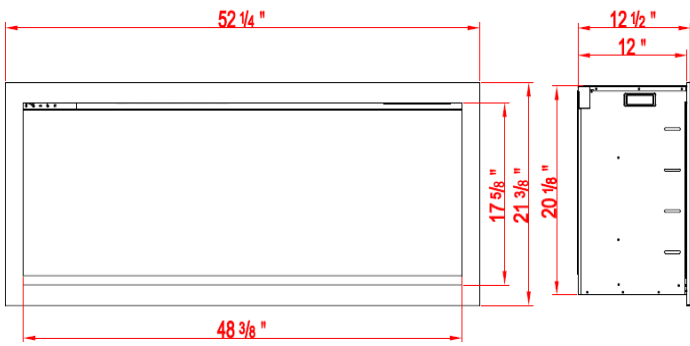


SYM-74-XT-LUMINA LG OAK Media



SYM-50-XT-LUMINA ICE MEDIA Fi-107-Diamond

TECH SPECIFICATIONS  
34", 42" COMING SOON

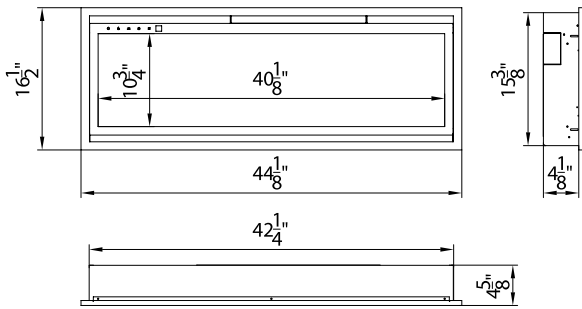




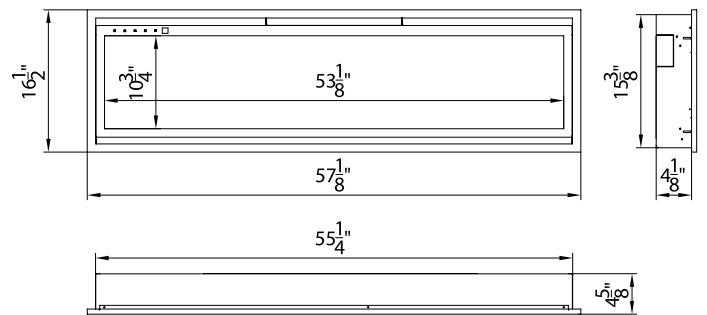


SYM-SLIM-60 Clear Glass Media

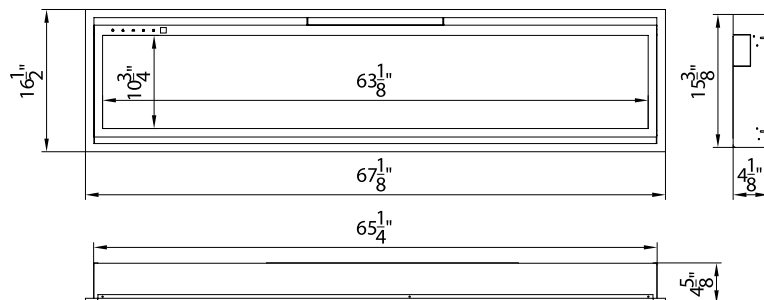
## TECH SPECIFICATIONS



SYM-SLIM-42



SYM-SLIM-50



SYM-SLIM-60

**FEATURES**

- WiFi compatible to connect and control the fireplace from your smartphone with the use of our app. Available on the Google Play Store and the Apple App Store
- Programmable timer & thermostat allows you to decide the temperature of the room. Set the fireplace to turn on before you arrive home or have it automatically turn on when the weather is cold.
- Smart Room Temperature Control - 59°F - 82°F or 15°C - 28°
- 1465W – 5000 BTU, heats up to 500 Sq. Ft.
- 50000 hours lifetime LED light source
- A clear reduced trim kit allows for a large viewing area with true lifelike flames that can not be rivaled
- Adjustable flame brightness and speed that can be turned on separately.
- Adjustable ember bed colors that allow for the possibility of auto mixing thousand of colors
- Most quiet and reliable components in the industry
- Patented thermostatic remote comes included

**DECORATIVE MEDIA & ACCESSORIES**

- **Included Media** – Clear glass diamonds, black powder coated surround and a full feature remote control



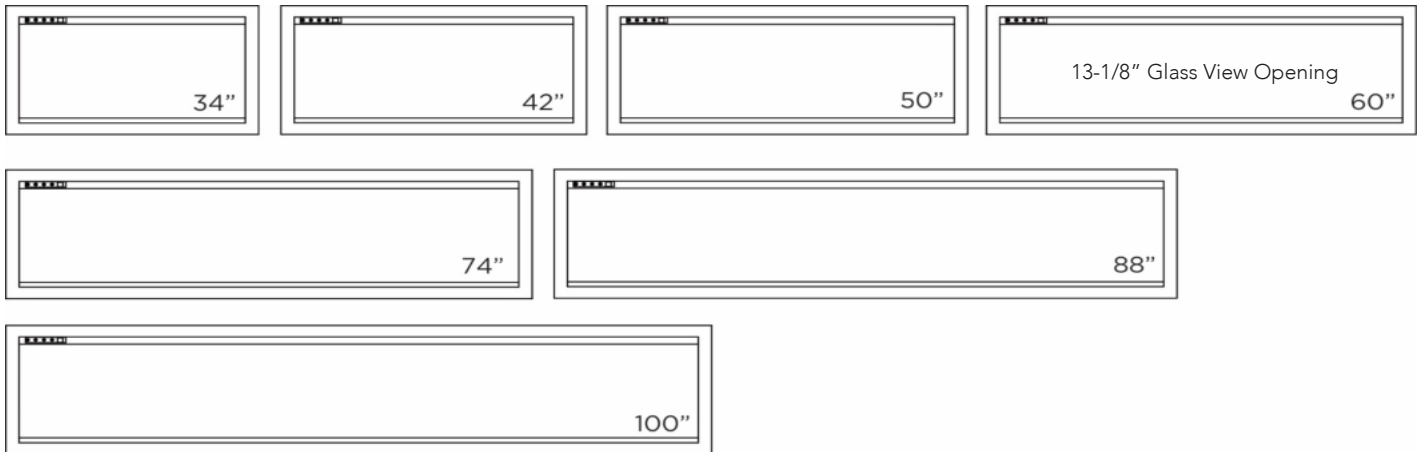
*\*Manufacturer guidelines regarding outdoor installation must be followed. Please refer to the owner's manual for additional information*

| PART NUMBER | DESCRIPTION   | 2024 MSRP  |
|-------------|---|------------|
| SYM-SLIM-42 | Symmetry Xtraslim Smart Electric -42" WiFi Enabled Fireplace, Featuring a MultiFunction Remote Control, Multi Speed Flame Motor | \$1,499.00 |
| SYM-SLIM-50 | Symmetry Xtraslim Smart Electric -50" WiFi Enabled Fireplace, Featuring a MultiFunction Remote Control, Multi Speed Flame Motor | \$1,699.00 |
| SYM-SLIM-60 | Symmetry Xtraslim Smart Electric -60" WiFi Enabled Fireplace, Featuring a MultiFunction Remote Control, Multi Speed Flame Motor | \$1,799.00 |



SYM-74-SMART 10PCE Birch

## TECH SPECIFICATIONS



## FEATURES

- Can be fully recessed or Semi Flush Mounted within a 2" x 4" wall.
- SYM-XS surround required for semi flush mount applications
- WiFi compatible to connect and control the fireplace from your smartphone with the use of our app. Available on the Google Play Store and the Apple App Store
- Three flame speed motor
- Choose from combinations of yellow, orange, and red colored flames
- Two flame pattern styles – standard and more traditional
- Flame operates with or without heat
- Choose from 11 color settings of canopy lighting (10 colors and a cycle thru setting)
- Touch pad for convenient control of features and temperature display on the fireplace
- Programmable timer & thermostat allows you to decide the temperature of the room. Set your fireplace to turn on before you arrive home or have it automatically turn on when the weather is cold
- Patented thermostatic remote comes included



## DECORATIVE MEDIA & ACCESSORIES

- **Included Media** – 10 Piece Birch Log Set, charcoal grey real fireglass, 2 two bags of vermiculite, in black and white and a remote



| PART NUMBER | DESCRIPTION  | 2024 MSRP  |
|-------------|--|------------|
| SYM-34      | Symmetry Smart Electric 34" Indoor / Outdoor WiFi Enabled Built In Fireplace, Featuring a MultiFunction Remote Control , Multi Speed Flame Motor and a 10 piece Birch Log Set  | SOLD OUT   |
| SYM-74      | Symmetry Smart Electric 74" Indoor / Outdoor WiFi Enabled Built In Fireplace, Featuring a MultiFunction Remote Control , Multi Speed Flame Motor and a 10 piece Birch Log Set  | \$2,699.00 |
| SYM-100     | Symmetry Smart Electric 100" Indoor / Outdoor WiFi Enabled Built In Fireplace, Featuring a MultiFunction Remote Control , Multi Speed Flame Motor and a 10 piece Birch Log Set | \$3,399.00 |

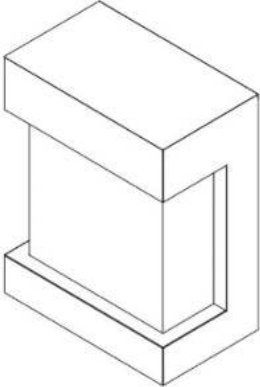




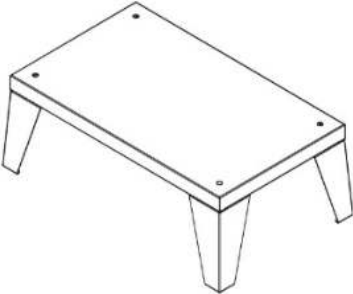
CUBE-2025WM-LUMINA ICE Media

**TECH SPECIFICATIONS**

Wall Mount



Leg Base



## FEATURES

- 3-sided built-in electric fireplace
- WiFi Compatible to connect and control the fireplace from your smartphone with the use of our app. Available on the Google Play Store and Apple App Store
- Three speed flame motor
- Heat output 5000 BTU
- No unsightly venting and grills seen. A true clean and vent free look
- Programmable timer & thermostat allows you to decide the temperature of the room. Set your fireplace to turn on before you arrive home or have it automatically turn on when the weather is cold.
- Touch pad for convenient control of the features and temperature display from the fireplace.
- Choose from combinations of yellow, orange and red colored flames
- Approved for indoor or outdoor applications.\*
- Choose from 11 color settings of canopy lighting (10 colors and a cycle thru setting)
- Two flame pattern styles – standard and more traditional
- New patented thermostatic remote comes included

## DECORATIVE MEDIA & ACCESSORIES

- **Included Media** – DESIGN-MEDIA-OAK-12PCE-MD and a remote



DESIGN-MEDIA-OAK-12PCE-MD



*\*Manufacturer guidelines regarding outdoor installation must be followed. Please refer to the owner's manual for additional information*

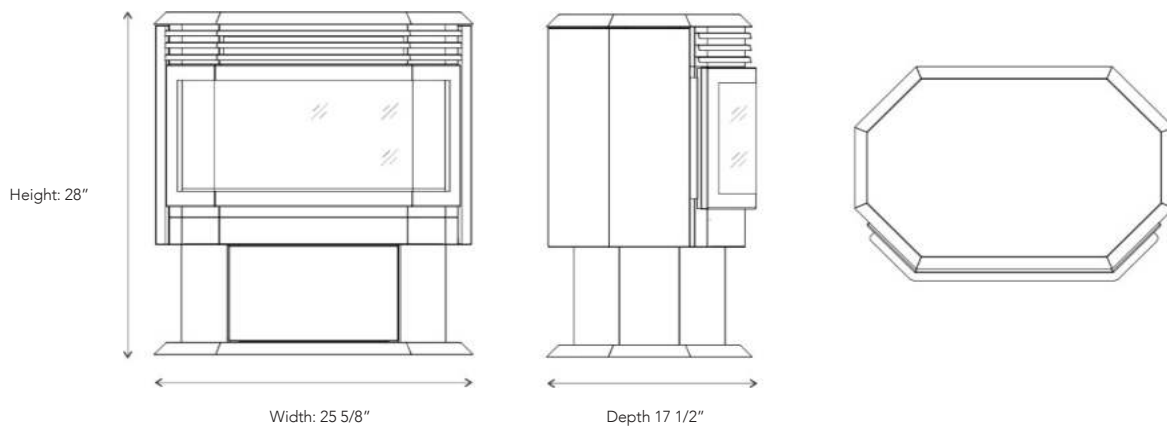


| PART NUMBER        | DESCRIPTION  | 2024 MSRP  |
|--------------------|--|------------|
| CUBE-2025WM-LUMINA | "THE CUBE" - Lumina Smart Electric Fireplace, WiFi Enabled, Programable Remote Control, Multi Flame Speeds, Comes with Oak Log Set | \$1,799.00 |
| Cube-Base-Legs     | Pedestal Base for "The Cube" - attaches to The Cube  | \$129.00   |



FS 26-922-LUMINA 12PCE Oak

## TECH SPECIFICATIONS





## FEATURES

- 3-sided panoramic design helps you appreciate the flame in a better view
- WiFi Compatible to connect and control the fireplace from your smart-phone with the use of our app.
- Available on the Google Play Store and Apple App Store
- Three Flame Speeds
- New multi programmable remote comes included
- Programmable timer & thermostat allows you to decide the temperature of the room. Set your fireplace to turn on before you arrive home or have it automatically turn on when the weather is cold
- Choose from combinations of red, yellow and orange flame colors
- Touch pad for convenient control of features and temperature display of the fireplace
- Choose from 11 color settings of canopy lighting (10 colors and a cycle thru setting)
- Produces up to 5000 BTU of heat, enough to heat up 500 sq ft of space

## DECORATIVE MEDIA & ACCESSORIES

- **Included Media** – DESIGN-MEDIA-OAK-12PCE-MD



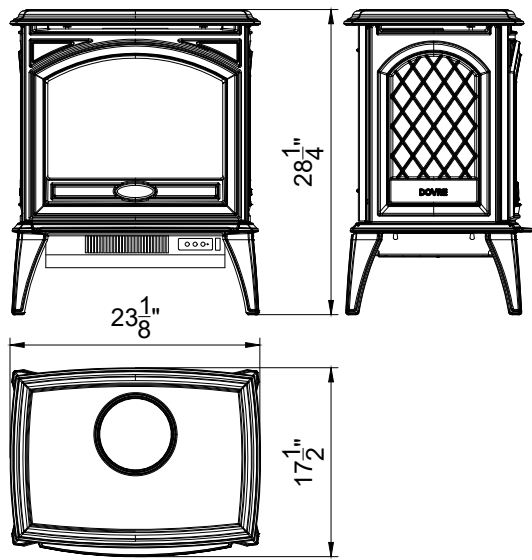
DESIGN-MEDIA-OAK-12PCE-MD

| PART NUMBER      | DESCRIPTION   | 2024 MSRP  |
|------------------|---|------------|
| FS-26-922-LUMINA | FS Lumina 26" Smart Freestanding Electric Fireplace, WiFi Enabled, Programable Remote Control, Multi Flame Speeds, Comes with Oak Log Set | \$1,699.00 |

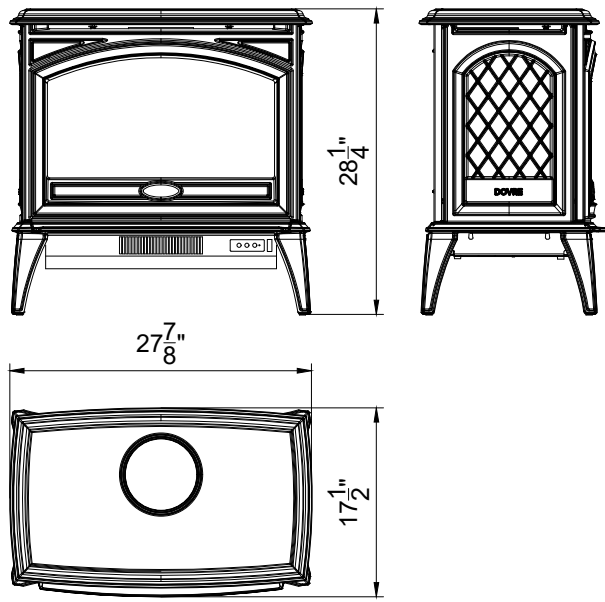


E50-NA 12PCE Oak

**TECH SPECIFICATIONS**



**E50**



**E70**

## FEATURES

- Real Cast Iron Construction.
- Rated for indoor applications only
- State of the art flame set- with a simple click of the remote change the flame from red to orange or yellow.
- Two Flame sets and canopy lighting in 13 color themes, creates the illusion of a real fire
- Flame effect can be used with or without heat
- Built in thermostat control with new remote control.
- Produces up to 5000 BTU of heat, enough to heat up 500 sq. ft
- Includes a multi-function remote
- Fan Noise – 43dB

## DECORATIVE MEDIA & ACCESSORIES

- **Included Media** – 10 piece realistic birch like logs, 2 colors of fireglass, two bags of vermiculite in black and white colors



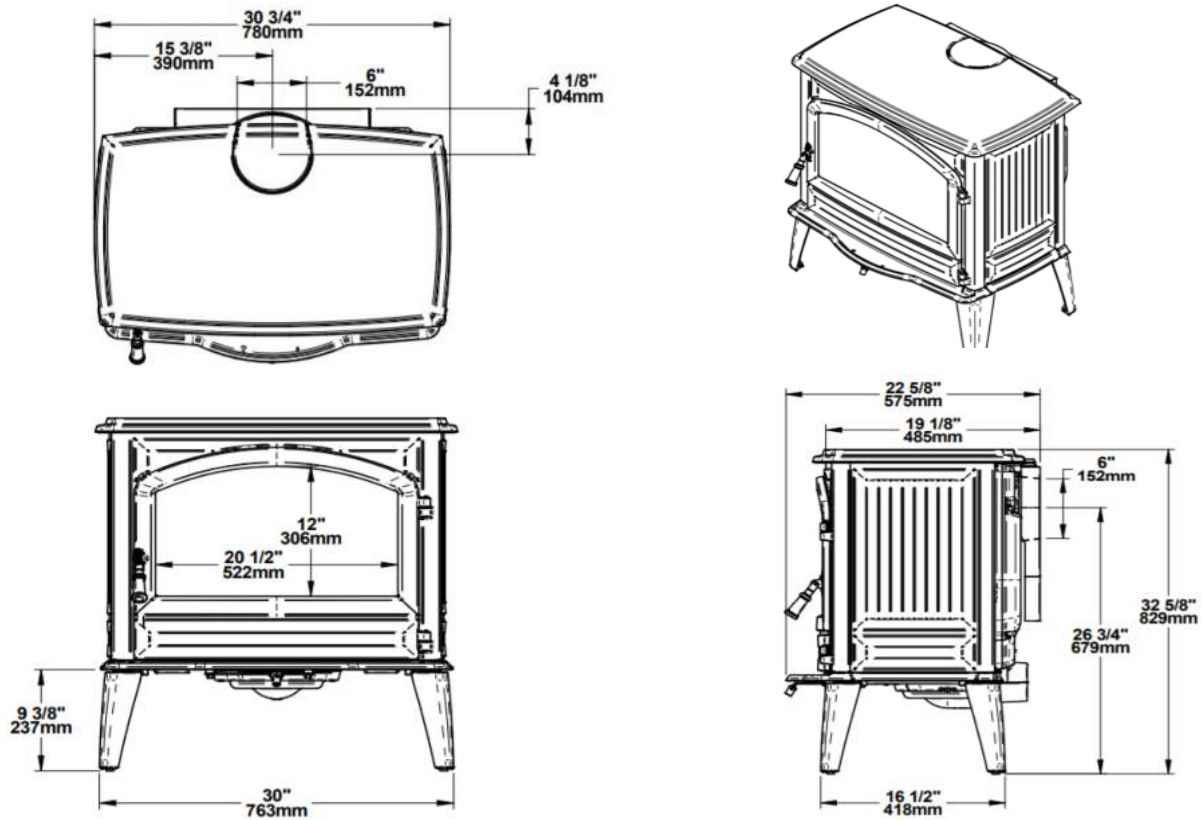
| PART NUMBER | DESCRIPTION  | 2024 MSRP  |
|-------------|--|------------|
| E50-NA      | Lynwood Series - 50 cm Freestand Electric Stove Featuring a Cast Iron Frame and a 10 Piece Birch Log Set | \$1,999.00 |
| E70-NA      | Lynwood Series - 70 cm Freestand Electric Stove Featuring a Cast Iron Frame and a 10 Piece Birch Log Set | \$2,399.00 |





Lynwood-W76

## TECH SPECIFICATIONS



Cast Iron Construction, 75,000 BTU of Max Power, and a max heating area of 2000 Sq. Ft make it ideal for heating rooms up to 2000 Sq Ft

Certified at 1.8 g/h, this non-catalytic unit offers a flue outlet at the back and on the top of the stove. In addition to a large viewing area, the Lynwood – W76 has a full width andiron for holding logs during loading.

All of its charm can be attributed to its classic design and the distinguished cast iron finish

## FEATURES

- 21" logs
- 2 ft<sup>3</sup> firebox volume
- EPA Certified
- Made in Belgium
- Limited lifetime warranty
- Certified for mobile home and alcove installation
- Weight: 424 lbs
- Up to 8 hrs of burn time

## DECORATIVE MEDIA & ACCESSORIES

- **Included Media** – Ash drawer, ceramic glass, ash lip, broad-spectrum air damper. **Optional:** Heat Shield

| PART NUMBER  | DESCRIPTION                                | 2024 MSRP  |
|--------------|--|------------|
| Lynwood-W76  | Lynwood W76 - Cast Iron Wood Burning Stove | \$4,395.00 |
| 70.02791.000 | Reduce Clearance Heat Shield               | \$299.00   |

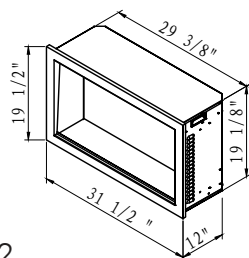
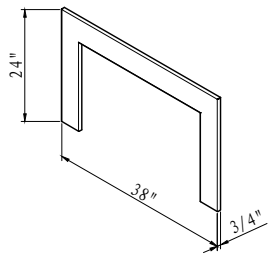
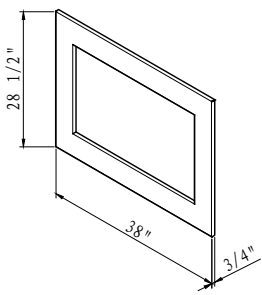




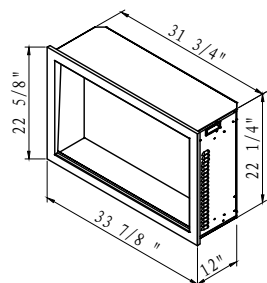
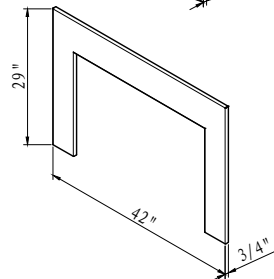
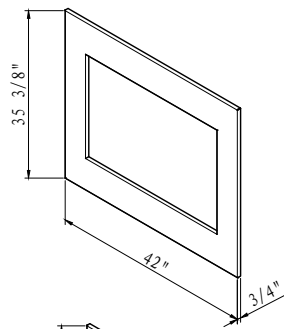
TRD-38-BESPOKE INSERT 3 Sided Trim

## TECH SPECIFICATIONS

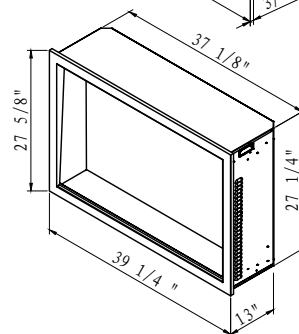
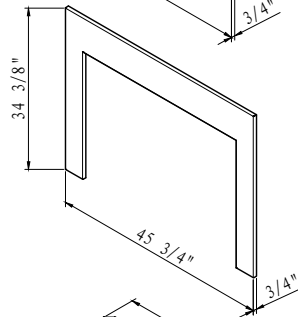
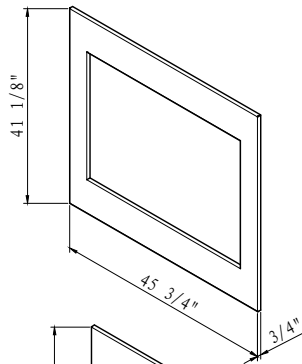
TRD-30-Bespoke



TRD-33-Bespoke



TRD-38-Bespoke





### FEATURES

- 5 Year Warranty
- Fire & Sound – Two (2) quality audio speakers deliver a fire crackling sound. The audio is an ON/OFF feature that can be controlled through the WiFi app.
- WiFi compatible to connect and control the fireplace from your smartphone with the use of our app. Available on the Google play store and the Apple App Store.
- Bluetooth Connectivity – Featuring a fireplace with high quality audio from Bluetooth speakers. Simply pair your phone with the fireplace and press play on your smartphone.
- Programmable timer & thermostat allows you to decide the temperature of the room. Set the fireplace to turn on before you arrive home or have it automatically turn on when the weather is cold.
- 1465W 5120 BTU, heats up to 500 Sq. Ft
- 50000 hours lifetime LED light source
- Approved for Outdoor Installations\*
- Designed with front flow heating and hidden venting so that the unit can be recessed or semi flush mounted.
- A clean reduced trim kit allows for a large viewing area with true lifelike flames that can not be rivaled.
- Adjustable flame brightness and speed that can be turned on separately.
- Adjustable ember bed colors that allow for the possibility of auto mixing thousands of colors.
- Most quiet and reliable components in the industry
- Patented thermostatic remote comes included
- Masonry finish to trim option
- Smart Room Temperature Control - 59°F - 82°F or 15°C - 28°C

### DECORATIVE MEDIA & ACCESSORIES

Models come with a choice of a Design Media Kit – Driftwood, Birch, Rustic, 18 Piece Oak, Split Log, 12 Piece Oak or Ice Media



YOUR CHOICE:



DESIGN-MEDIA-BIRCH-15PCE



DESIGN-MEDIA-DRIFT-15PCE



DESIGN-MEDIA-RUSTIC-14PCE



DESIGN-MEDIA-SPLIT-LOG-16PCE



DESIGN-MEDIA-OAK-18PCE



DESIGN-MEDIA-OAK-12PCE-LG



ICE-MEDIA-FI-109-DIAMOND



*\*Manufacturer guidelines regarding outdoor installation must be followed. Please refer to the owner's manual for additional information*

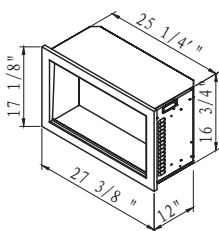
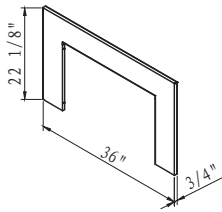
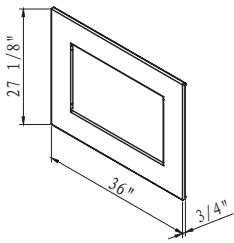
| PART NUMBER         | DESCRIPTION  | 2024 MSRP  |
|---------------------|--|------------|
| TRD-30-BESPOKE      | Traditional Bespoke - 30" Indoor / Outdoor Electric Insert Featuring, WiFi Compatibility, Bluetooth Connectivity, Multi Function Remote, and a Selection of Media Options  | \$2,699.00 |
| TRD-30-3            | Traditional - 3 Sided Trim Kit for the TRD-30  | \$299.00   |
| TRD-30-4            | Traditional - 4 Sided Trim Kit for the TRD-30  | \$399.00   |
| TRD-33-BESPOKE      | Traditional Bespoke - 33" Indoor / Outdoor Electric Insert featuring Smart Phone Compatibility, WiFi Connectivity , MultiFunction Remote, and a Selection of Media Options | \$2,999.00 |
| TRD-33-3            | Traditional - 3 Sided Trim Kit for the TRD-33  | \$299.00   |
| TRD-33-4            | Traditional - 4 Sided Trim Kit for the TRD-33  | \$399.00   |
| TRD-38-BESPOKE      | Traditional Bespoke - 38" Indoor / Outdoor Electric Insert featuring Smart Phone Compatibility, WiFi Connectivity , MultiFunction Remote, and a Selection of Media Options | \$3,399.00 |
| TRD-38-3            | Traditional - 3 Sided Trim Kit for the TRD-38  | \$299.00   |
| TRD-38-4            | Traditional - 4 Sided Trim Kit for the TRD-38  | \$399.00   |
| AMTR33T <b>*New</b> | Square trim for TRD-33   | \$329.00   |
| AMTR38T <b>*New</b> | Square trim for TRD-38   | \$359.00   |
| AMTR33A <b>*New</b> | Arch trim for TRD-33   | \$329.00   |
| AMTR38A <b>*New</b> | Arch trim for TRD-38   | \$359.00   |



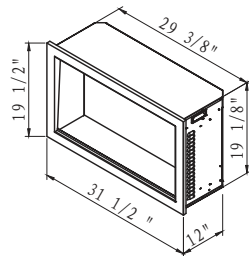
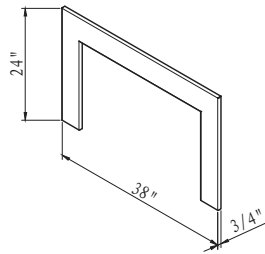
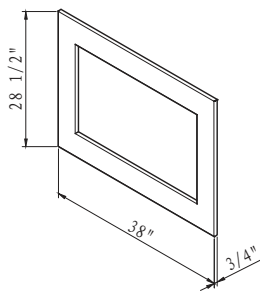
TRD-Smart Insert 4 Sided Trim ICE Media

## TECH SPECIFICATIONS

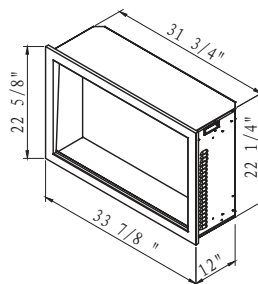
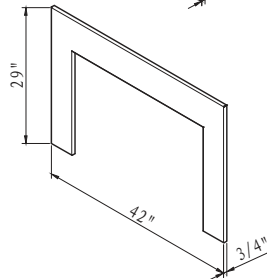
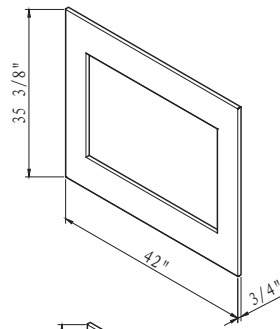
**TRD-26 Smart**



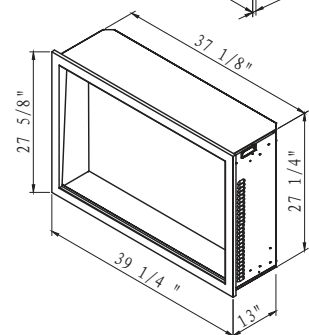
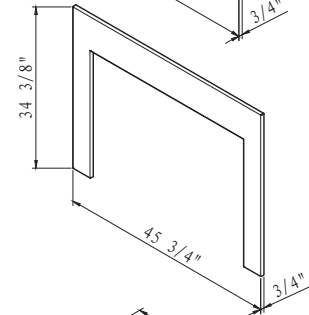
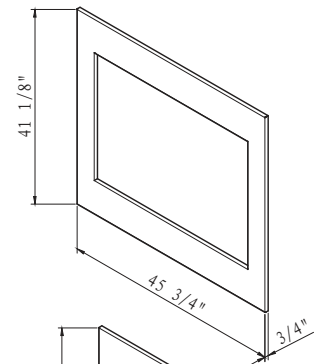
**TRD-30 Smart**



**TRD-33 Smart**



**TRD-38 Smart**



**FEATURES**

- Can be fully recessed or Semi Flush Mounted within a 2" x 4" wall.
- WiFi compatible to connect and control the fireplace from your smartphone with the use of our app. Available on the Google Play Store and the Apple App Store
- Three speed flame motor
- Choose from combinations of yellow, orange, and red colored flames
- Two flame pattern styles – standard and more traditional
- Flame operates with or without heat
- Choose from 11 color settings of canopy lighting (10 colors and a cycle thru setting)
- Touch pad for convenient control of features and temperature display on the fireplace
- Programmable timer & thermostat allows you to decide the temperature of the room. Set your fireplace to turn on before you arrive home or have it automatically turn on when the weather is cold
- Patented thermostatic remote comes included



**DECORATIVE MEDIA & ACCESSORIES**

- **Included Media** – 10 Piece Birch Style Log Set, 2 colors of real fireglass and 2 colors of vermiculite

\* For the 44" and 48" unit - we recommend the purchase of an additional media kit due to the size of the unit



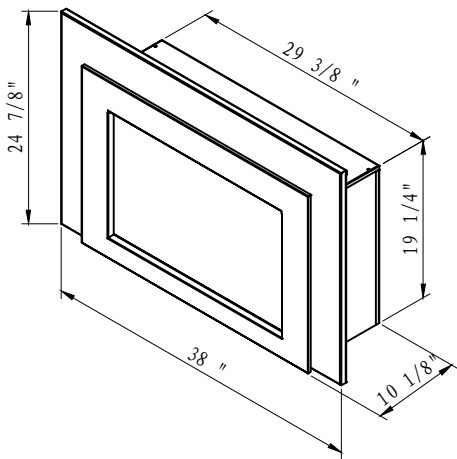
| PART NUMBER             | DESCRIPTION   | 2024 MSRP  |
|-------------------------|---|------------|
| TRD-26                  | Traditional Smart Electric 26" Indoor / Outdoor WiFi Enabled Insert, Featuring a Multi-Function Remote Control , Multi Speed Flame Motor and a 10 piece Birch Log Set | \$1,499.00 |
| TRD-26-3                | Traditional - 3 Sided Trim Kit for the TRD-26   | \$299.00   |
| TRD-26-4                | Traditional - 4 Sided Trim Kit for the TRD-26   | \$399.00   |
| TRD-30                  | Traditional Smart Electric 30" Indoor / Outdoor WiFi Enabled Insert, Featuring a Multi-Function Remote Control , Multi Speed Flame Motor and a 10 piece Birch Log Set | \$1,799.00 |
| TRD-30-3                | Traditional - 3 Sided Trim Kit for the TRD-30   | \$299.00   |
| TRD-30-4                | Traditional - 4 Sided Trim Kit for the TRD-30   | \$399.00   |
| TRD-33                  | Traditional Smart Electric 33" Indoor / Outdoor WiFi Enabled Insert, Featuring a Multi-Function Remote Control , Multi Speed Flame Motor and a 10 piece Birch Log Set | \$1,999.00 |
| TRD-33-3                | Traditional - 3 Sided Trim Kit for the TRD-33   | \$299.00   |
| TRD-33-4                | Traditional - 4 Sided Trim Kit for the TRD-33   | \$399.00   |
| TRD-38                  | Traditional Smart Electric 38" Indoor / Outdoor WiFi Enabled Insert, Featuring a Multi-Function Remote Control , Multi Speed Flame Motor and a 10 piece Birch Log Set | \$2,399.00 |
| TRD-38-3                | Traditional - 3 Sided Trim Kit for the TRD-38   | \$299.00   |
| TRD-38-4                | Traditional - 4 Sided Trim Kit for the TRD-38   | \$399.00   |
| AMTR33T <sup>*New</sup> | Square trim for TRD-33  | \$329.00   |
| AMTR38T <sup>*New</sup> | Square trim for TRD-38  | \$359.00   |
| AMTR33A <sup>*New</sup> | Arch trim for TRD-33  | \$329.00   |
| AMTR38A <sup>*New</sup> | Arch trim for TRD-38  | \$359.00   |



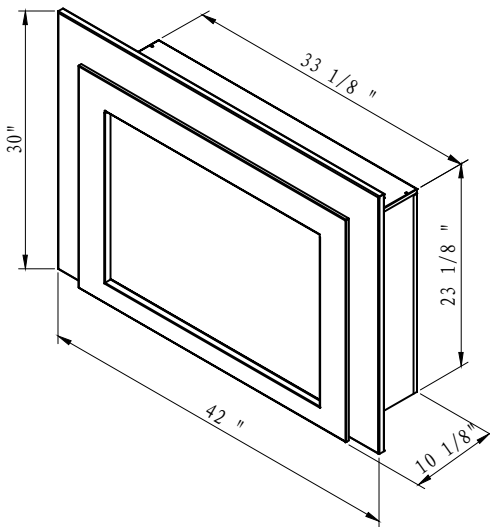


INS-FM-30 10PCE Blk

## TECH SPECIFICATIONS



INS-FM-30



INS-FM-34



## FEATURES

- Great alternative for wood or gas inserts
- Perfect for renovations or retrofits
- 2 popular sizes
- Heat is vented upwards from overlay
- Hard-wire ready
- Stunning 'Gradient' Flame
- Black Steel surround
- No grills
- 4 stage front and 4 stage internal back lighting
- Latest LED light technology
- Front and rear control for flame and heater included
- Can produce up to 5000 BTU of heat, enough to heat up to 500 sq feet
- Flame operates with or without heat
- Remote control for flame and heater
- 4 leveling legs on the underside
- Plug on the left side

## DECORATIVE MEDIA & ACCESSORIES

- **Included Media** – Log Set and Sable Media included



- **Included Media for Lumina** – 12 Piece Oak Med Log Set and a remote



DESIGN-MEDIA-OAK-12PCE-MD



| PART NUMBER                     | DESCRIPTION   | 2024 MSRP  |
|---------------------------------|---|------------|
| INS-FM-30                       | Insert Series - 30" Electric Fireplace Insert with Black Steel Surround and Overlay | \$2,199.00 |
| INS-FM-34-Lumina<br><b>*New</b> | Insert Series - 34" Electric Fireplace Insert with Black Steel Surround and Overlay | \$2,399.00 |



TRU-65-BESPOKE 16PCE Split

## DECORATIVE MEDIA & ACCESSORIES

- **Included Media** – Models come with a choice of a Design Media Kit – Driftwood, Birch, Rustic, 18 Piece Oak, Split Log, 12 Piece Oak or Ice Media

**YOUR CHOICE:**

|   |   |   |   |
|---|---|---|---|
|  |  |  |  |
| DESIGN-MEDIA-BIRCH-15PCE  | DESIGN-MEDIA-DRIFT-15PCE  | DESIGN-MEDIA-RUSTIC-14PCE   |   |
|  |  |  |   |
| DESIGN-MEDIA-SPLIT-LOG-16PCE  | DESIGN-MEDIA-OAK-18PCE  | ICE-MEDIA-FI-109-DIAMOND  |   |

### ADDITIONAL FEATURES

- Available in sizes 45", 55", 65", 75" and 85"
- Biggest and the Best - 20" Viewing area
- Double the heat output from 5000 to 10,000, when two units are joined together on 120V
- TRV 45 comes with 1 heater fan, Max 5000 BTU on 120V
- The TRV 55, 65, 75 & 85 come with 2 heater fans, Max 5000 BTU on 120V, or 10,000 BTU on 240V
- Electrical & BTU 120V, 1500W, 12.5 A and 5,000 BTU  
240V, 2500W, 10.4 A and 10,000 BTU  
2 units together 240V, 20,000 BTU

**FEATURES**

- 5 Year Warranty
- Fire & Sound – Two (2) quality audio speakers deliver a fire crackling sound. The audio is an ON/OFF feature that can be controlled through the WiFi app.
- WiFi compatible to connect and control the fireplace from your smartphone with the use of our app. Available on the Google play store and the Apple App Store.
- Bluetooth Connectivity – Featuring a fireplace with high quality audio from Bluetooth speakers. Simply pair your phone with the fireplace and press play on your smartphone.
- Programmable timer & thermostat allows you to decide the temperature of the room. Set the fireplace to turn on before you arrive home or have it automatically turn on when the weather is cold.
- Smart Room Temperature Control - 59°F - 82°F or 15°C - 28°C
- 1465W 5000 BTU, heats up to 500 Sq. Ft. May also be wired up to 220 volts to increase the BTU output to 10,000 and heats up to 800-1,000 Sq. Ft.
- 50000 hours lifetime LED light source
- Approved for Outdoor Installations\*
- Designed with front flow heating and hidden venting so that the unit can be recessed or semi flush mounted.
- A clean reduced trim kit allows for a large viewing area with true lifelike flames that can not be rivaled.
- Adjustable flame brightness and speed that can be turned on separately.
- Adjustable ember bed colors that allow for the possibility of auto mixing thousands of colors
- Most quiet and reliable components in the industry
- Patented thermostatic remote comes included
- Masonry finish to trim option



*\*Manufacturer guidelines regarding outdoor installation must be followed. Please refer to the owner's manual for additional information*

| PART NUMBER                  | DESCRIPTION  | 2024 MSRP       |
|------------------------------|--|-----------------|
| TRV-45-BESPOKE               | Tru View Bespoke - 45" Indoor / Outdoor 3 Sided Electric Fireplace Featuring a 20" Height, WiFi Compatibility, Bluetooth Connectivity, Multi Function Remote, and a Selection of Media Options | \$3,699.00      |
| TRV-55-BESPOKE               | Tru View Bespoke - 55" Indoor / Outdoor 3 Sided Electric Fireplace Featuring a 20" Height, WiFi Compatibility, Bluetooth Connectivity, Multi Function Remote, and a Selection of Media Options | \$4,099.00      |
| TRV-65-BESPOKE               | Tru View Bespoke - 65" Indoor / Outdoor 3 Sided Electric Fireplace Featuring a 20" Height, WiFi Compatibility, Bluetooth Connectivity, Multi Function Remote, and a Selection of Media Options | \$4,699.00      |
| TRV-75-BESPOKE               | Tru View Bespoke - 75" Indoor / Outdoor 3 Sided Electric Fireplace Featuring a 20" Height, WiFi Compatibility, Bluetooth Connectivity, Multi Function Remote, and a Selection of Media Options | \$4,899.00      |
| TRV-85-BESPOKE               | Tru View Bespoke - 85" Indoor / Outdoor 3 Sided Electric Fireplace Featuring a 20" Height, WiFi Compatibility, Bluetooth Connectivity, Multi Function Remote, and a Selection of Media Options | \$5,299.00      |
| DESIGN-MEDIA-15PCE           | DRIFTWOOD - 15 Piece Deluxe Media Kit Includes: 15 logs, stones, pebbles & embers  | Dealer's Choice |
| DESIGN-MEDIA-BIRCH-15PCE     | BIRCH - 15 Piece Deluxe Media Kit Includes: 15 logs, stones, pebbles & embers  | Dealer's Choice |
| DESIGN-MEDIA-14PCE           | RUSTIC - 14 Piece Deluxe Media Kit Includes: 14 logs, stones, pebbles & embers   | Dealer's Choice |
| DESIGN-MEDIA-SPLIT-LOG-16PCE | SPLIT LOG - 16 Piece Deluxe Media Kit Includes: 16 logs, stones, pebbles & embers  | Dealer's Choice |

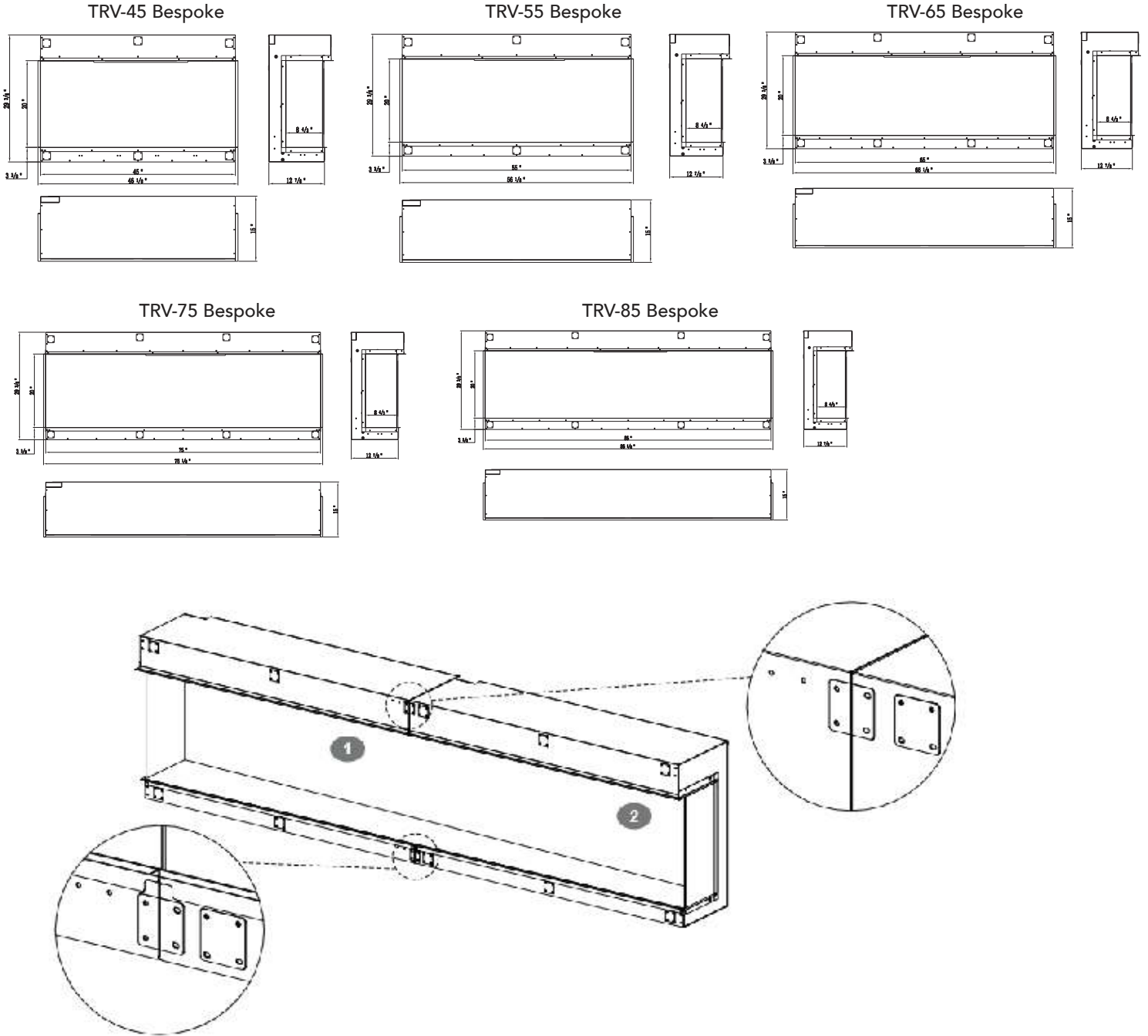




TRU-65-BESPOKE 16PCE Split



## TECH SPECIFICATIONS



Any of the units can be combined, providing endless possibilities.

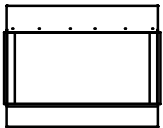
- 45+45 = 90 (229cm)
- 45+65 = 110 (280cm)
- 45+85 = 130 (330cm)
- 45+45+45 = 135 (343cm)
- 65+85 = 150 (381cm)
- 85+85 = 170 (432cm)
- 65+65+65 = 195 (495cm)
- 85+85+85 = 255 (648cm)



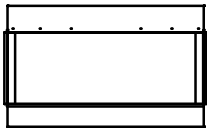
40-TRV-SLIM ICE Media

## TECH SPECIFICATIONS

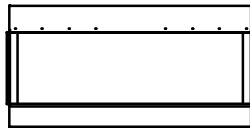
30 TRV SLIM



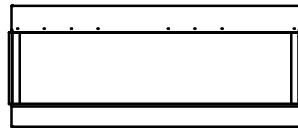
40 TRV SLIM



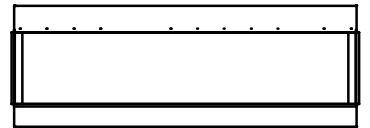
50 TRV SLIM



60 TRV SLIM



72 TRV SLIM



3 sides open



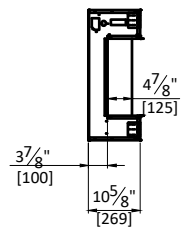
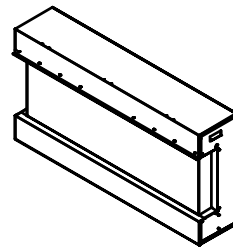
Left side open



Right side open



Both sides closed

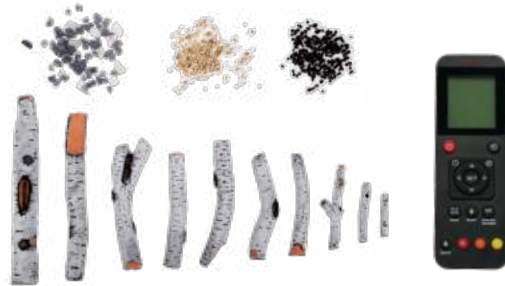


## FEATURES

- 3-sided built-in electric fireplace
- WiFi Compatible to connect and control the fireplace from your smartphone with the use of our app. Available on the Google Play Store and Apple App Store
- Three speed flame motor
- Heat output 5000 BTU
- No unsightly venting and grills seen. A true clean and vent free look
- Programmable timer & thermostat allows you to decide the temperature of the room. Set your fireplace to turn on before you arrive home or have it automatically turn on when the weather is cold.
- Touch pad for convenient control of the features and temperature display from the fireplace.
- Choose from combinations of yellow, orange and red colored flames
- Approved for indoor or outdoor applications.\*
- Choose from 11 color settings of canopy lighting (10 colors and a cycle thru setting)
- Two flame pattern styles – standard and more traditional
- New patented thermostatic remote comes included

## DECORATIVE MEDIA & ACCESSORIES

- **Included Media for the Smart**– 10 Piece Birch Log Set, 2 colors of real fireglass and 2 colors of vermiculite



- **Included Media for the Lumina** – 12 Piece Oak Med Log Set and a remote



DESIGN-MEDIA-OAK-12PCE-MD

Important: Finishing materials are to be built flush to the lip for a clean face finish. No trim or surround is included.



*\*Manufacturer guidelines regarding outdoor installation must be followed. Please refer to the owner's manual for additional information*

| PART NUMBER                    | DESCRIPTION  | 2024 MSRP  |
|--------------------------------|--|------------|
| 30-TRV-SLIM                    | Trv View Slim - 30" Indoor / Outdoor 3 Sided Electric Fireplace Featuring 10 5/8" Depth  | \$2,499.00 |
| 40-TRV-SLIM                    | Trv View Slim - 40" Indoor / Outdoor 3 Sided Electric Fireplace Featuring 10 5/8" Depth  | \$2,699.00 |
| 50-TRV-SLIM-LUMINA <b>*New</b> | Tru View Slim Lumina - 50" Indoor / Outdoor 3 Sided Smart Electric Fireplace, WiFi Enabled, Programable Remote Control, Multi Flame Speeds, Comes with Real Glass and Oak Log Set                    | \$2,799.00 |
| 60-TRV-SLIM                    | Trv View Slim Smart Electric - 60" Indoor / Outdoor WiFi Enabled 3 Sided Fireplace Featuring a depth of 10 5/8", MultiFunction Remote Control, Multi Speed Flame Motor, and a 10 piece Birch Log Set | \$3,099.00 |
| 72-TRV-SLIM                    | Trv View Slim Smart Electric - 72" Indoor / Outdoor WiFi Enabled 3 Sided Fireplace Featuring a depth of 10 5/8", MultiFunction Remote Control, Multi Speed Flame Motor, and a 10 piece Birch Log Set | \$3,899.00 |





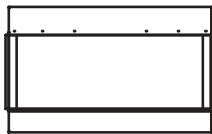
60-TRU-VIEW-XL 15PCE Birch

## FEATURES

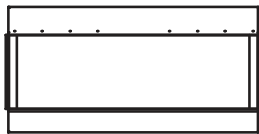
- 3-sided built-in electric fireplace
- WiFi Compatible to connect and control the fireplace from your smartphone with the use of our app. Available on the Google Play Store and Apple App Store
- Three speed flame motor
- Heat output 5000 BTU
- No unsightly venting and grills seen. A true clean and vent free look
- Programmable timer & thermostat allows you to decide the temperature of the room. Set your fireplace to turn on before you arrive home or have it automatically turn on when the weather is cold.
- Touch pad for convenient control of the features and temperature dip from the fireplace.
- Choose from combinations of yellow, orange and red colored flames
- Approved for indoor or outdoor applications.\*
- Choose from 11 color settings of canopy lighting (10 colors and a cycl-thru setting)
- Two flame pattern styles – standard and more traditional
- New patented thermostatic remote comes included



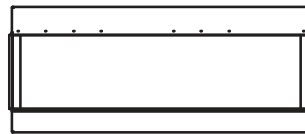
40 TRUE VIEW XL



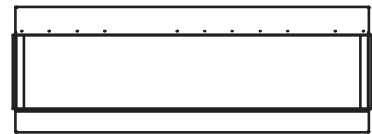
50 TRUE VIEW XL



60 TRUE VIEW XL



72 TRUE VIEW XL




Important: Finishing materials are to be built flush to the lip for a clean face finish. No trim or surround is included.

**DECORATIVE MEDIA & ACCESSORIES**


Models come with a choice of a Design Media kit - Driftwood, Birch or Rustic, Oak 18PCE, Split, 12PCE Oak, or ICE media

**NOTE:** Design Media kits are shipped in a separate box at no charge


YOUR CHOICE:




DESIGN-MEDIA-BIRCH-15PCE




DESIGN-MEDIA-DRIFT-15PCE




DESIGN-MEDIA-RUSTIC-14PCE




DESIGN-MEDIA-SPLIT-LOG-16PCE



DESIGN-MEDIA-OAK-18PCE



ICE-MEDIA-FI-109-DIAMOND



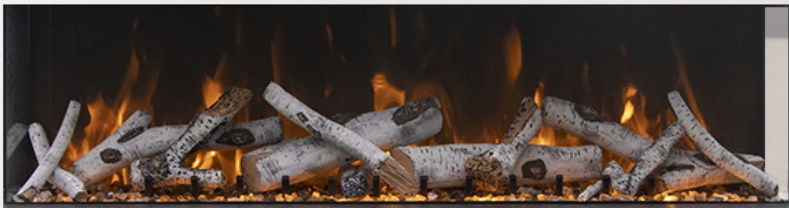
*\*Manufacturer guidelines regarding outdoor installation must be followed. Please refer to the owner's manual for additional information*

| PART NUMBER                  | DESCRIPTION   | 2024 MSRP       |
|------------------------------|---|-----------------|
| 40-TRU-VIEW-XL               | Tru View Deep Smart Electric - 40" Indoor / Outdoor WiFi Enabled 3 Sided Fire-place Featuring a depth of 14 1/4", MultiFunction Remote Control, Multi Speed Flame Motor, and a Selection of Media Options | \$2,999.00      |
| 50-TRU-VIEW-XL               | Tru View Deep Smart Electric - 50" Indoor / Outdoor WiFi Enabled 3 Sided Fire-place Featuring a depth of 14 1/4", MultiFunction Remote Control, Multi Speed Flame Motor, and a Selection of Media Options | \$3,599.00      |
| 60-TRU-VIEW-XL               | Tru View Deep Smart Electric - 60" Indoor / Outdoor WiFi Enabled 3 Sided Fire-place Featuring a depth of 14 1/4", MultiFunction Remote Control, Multi Speed Flame Motor, and a Selection of Media Options | \$3,999.00      |
| 72-TRU-VIEW-XL               | Tru View Deep Smart Electric - 72" Indoor / Outdoor WiFi Enabled 3 Sided Fire-place Featuring a depth of 14 1/4", MultiFunction Remote Control, Multi Speed Flame Motor, and a Selection of Media Options | \$4,399.00      |
| DESIGN-MEDIA-15PCE           | DRIFTWOOD - 15 Piece Deluxe Media Kit Includes: 15 logs, stones, pebbles & embers   | Dealer's Choice |
| DESIGN-MEDIA-BIRCH-15PCE     | BIRCH - 15 Piece Deluxe Media Kit Includes: 15 logs, stones, pebbles & embers   | Dealer's Choice |
| DESIGN-MEDIA-14PCE           | RUSTIC - 14 Piece Deluxe Media Kit Includes: 14 logs, stones, pebbles & embers  | Dealer's Choice |
| DESIGN-MEDIA-SPLIT-LOG-16PCE | SPLIT LOG - 16 Piece Deluxe Media Kit Includes: 16 logs, stones, pebbles & embers   | Dealer's Choice |
| DESIGN-MEDIA-OAK-18PCE       | OAK - 18 Piece Deluxe Media Kit Includes: 18 logs, stones, pebbles & embers   | Dealer's Choice |
| FI-109-Diamond               | Ice Media Kit Includes: 3 large glass rocks, 95 clear diamond media, 10 blue diamond media and a package of clear acrylic media   | Dealer's Choice |





60-TRU-VIEW-XL 18PCE OAK



60-TRU-VIEW-XL 15PCE Birch

TECH SPECIFICATIONS



3 sides open



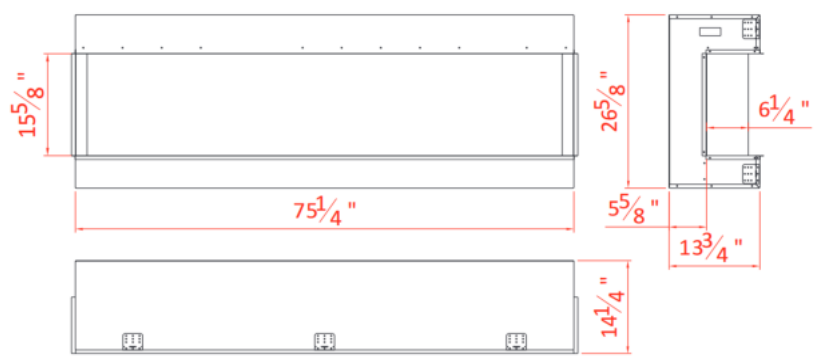
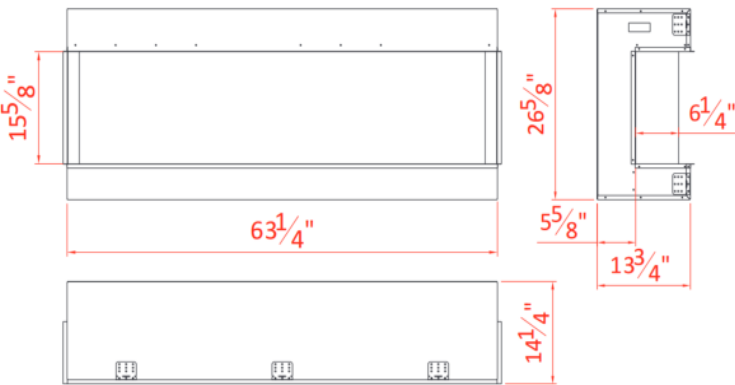
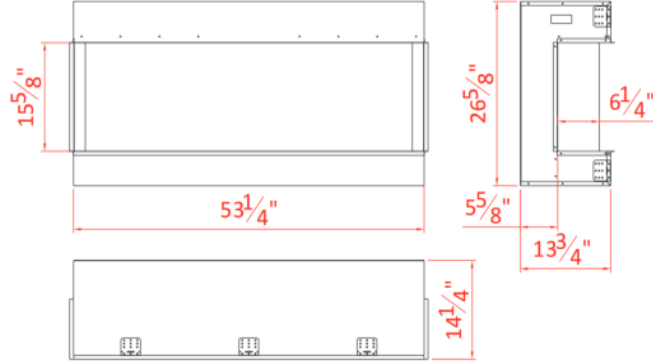
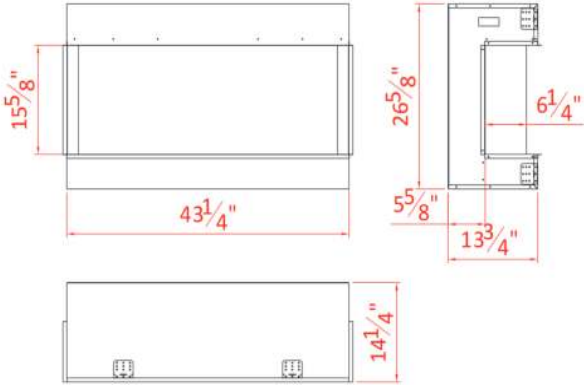
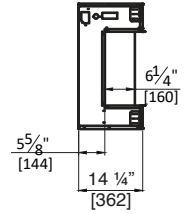
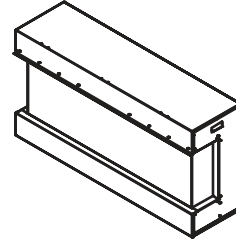
Left side open



Right side open



Both sides closed







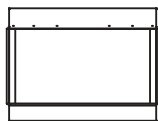
88-TRV-XT-XL-LUMINA 18PCE Oak

## FEATURES

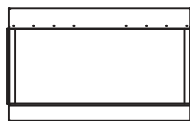
- 3-sided built-in electric fireplace
- WiFi Compatible to connect and control the fireplace from your smartphone with the use of our app. Available on the Google Play Store and Apple App Store
- Three speed flame motor
- Heat output 5000 BTU
- No unsightly venting and grills seen. A true clean and vent free look
- Programmable timer & thermostat allows you to decide the temperature of the room. Set your fireplace to turn on before you arrive home or have it automatically turn on when the weather is cold.
- Touch pad for convenient control of the features and temperature display from the fireplace.
- Choose from combinations of yellow, orange and red colored flames
- Approved for indoor or outdoor applications.\*
- Choose from 11 color settings of canopy lighting (10 colors and a cycle thru setting)
- Two flame pattern styles – standard and more traditional
- New patented thermostatic remote comes included



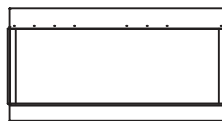
40 TRV XL XT



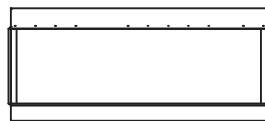
50 TRV XL XT



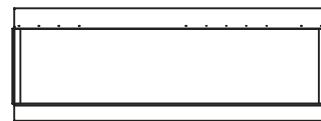
60 TRV XL XT



72 TRV XL XT



88 TRV XL XT

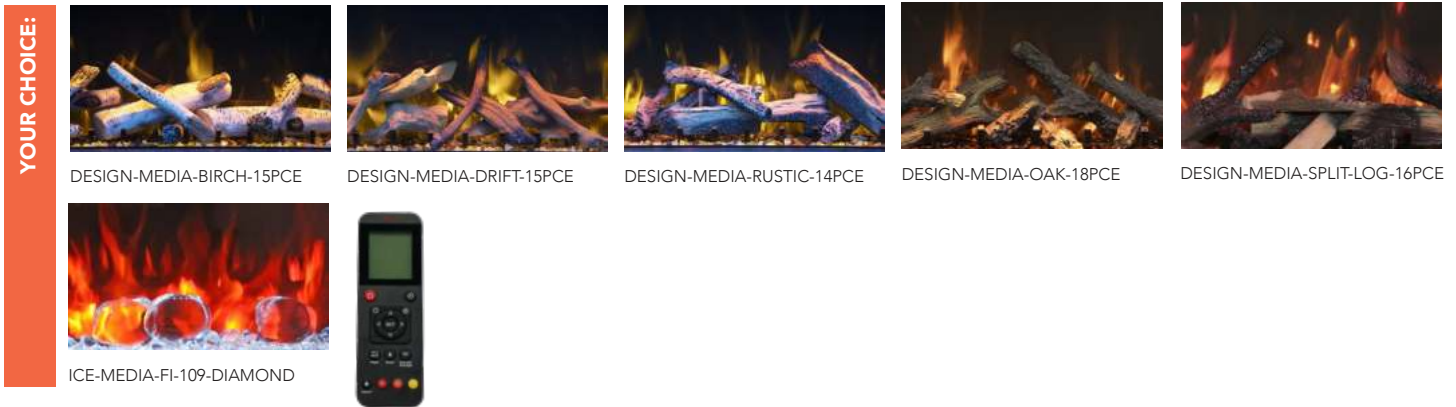


Important: Finishing materials are to built flush to the lip for a clean face finish. No trim or surround is included.

**DECORATIVE MEDIA & ACCESSORIES**

Models come with a choice of a Design Media kit - Driftwood, Birch or Rustic, Oak 18PCE, Split, 12PCE Oak, or ICE media

**NOTE:** Design Media kits are shipped in a separate box at no charge



*\*Manufacturer guidelines regarding outdoor installation must be followed. Please refer to the owner's manual for additional information*

| PART NUMBER                        | DESCRIPTION   | 2024 MSRP       |
|------------------------------------|---|-----------------|
| 40-TRV-XT-XL                       | Trv View Extra Tall Smart Electric - 40" Indoor / Outdoor WiFi Enabled 3 Sided Electric Fireplace Featuring a 22" Height, MultiFunction Remote, Multi Speed Flame Motor, and a Selection of Media Options | \$3,499.00      |
| 50-TRV-XT-XL                       | Trv View Extra Tall Smart Electric - 50" Indoor / Outdoor WiFi Enabled 3 Sided Electric Fireplace Featuring a 22" Height, MultiFunction Remote, Multi Speed Flame Motor, and a Selection of Media Options | \$3,899.00      |
| 60-TRV-XT-XL                       | Trv View Extra Tall Smart Electric - 60" Indoor / Outdoor WiFi Enabled 3 Sided Electric Fireplace Featuring a 22" Height, MultiFunction Remote, Multi Speed Flame Motor, and a Selection of Media Options | \$4,399.00      |
| 72-TRV-XT-XL                       | Trv View Extra Tall Smart Electric - 70" Indoor / Outdoor WiFi Enabled 3 Sided Electric Fireplace Featuring a 22" Height, MultiFunction Remote, Multi Speed Flame Motor, and a Selection of Media Options | \$4,699.00      |
| 88-TRV-XT-XL-LUMINA<br><b>*new</b> | Tru View Extra Tall Lumina - 88" Indoor / Outdoor 3 Sided Smart Electric Fireplace, WiFi Enabled, Programable Remote Control, Multi Flame Speeds, and a Selection of Media Options                        | \$4,999.00      |
| DESIGN-MEDIA-15PCE                 | DRIFTWOOD - 15 Piece Deluxe Media Kit Includes: 15 logs, stones, pebbles & embers   | Dealer's Choice |
| DESIGN-MEDIA-BIRCH-15PCE           | BIRCH - 15 Piece Deluxe Media Kit Includes: 15 logs, stones, pebbles & embers   | Dealer's Choice |
| DESIGN-MEDIA-14PCE                 | RUSTIC - 14 Piece Deluxe Media Kit Includes: 14 logs, stones, pebbles & embers  | Dealer's Choice |
| DESIGN-MEDIA-SPLIT-LOG-16PCE       | SPLIT LOG - 16 Piece Deluxe Media Kit Includes: 16 logs, stones, pebbles & embers   | Dealer's Choice |
| DESIGN-MEDIA-OAK-18PCE             | OAK - 18 Piece Deluxe Media Kit Includes: 18 logs, stones, pebbles & embers   | Dealer's Choice |
| Fi-109-Diamond                     | Ice Media Kit Includes: 3 large glass rocks, 95 clear diamond media, 10 blue diamond media and a package of clear acrylic media   | Dealer's Choice |





88-TRV-XT-XL-L -18PCE Oak



60-TRU-VIEW-XT-XL 15PCE Birch



TECH SPECIFICATIONS



3 sides open



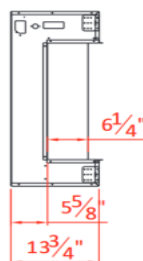
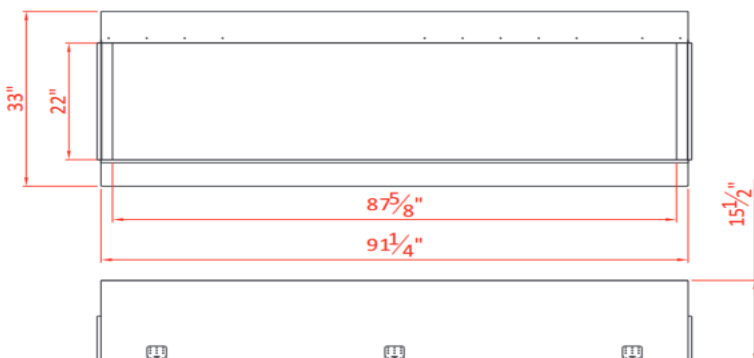
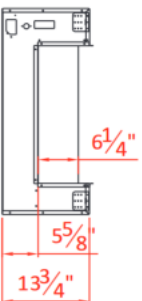
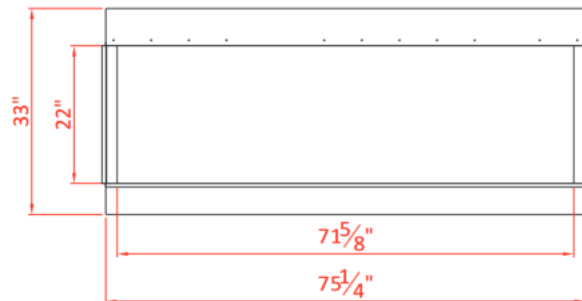
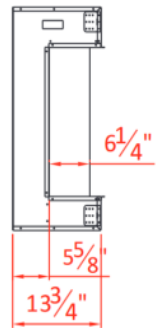
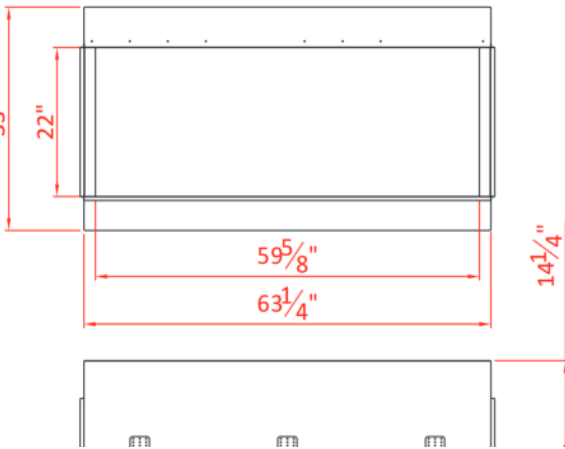
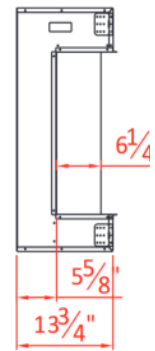
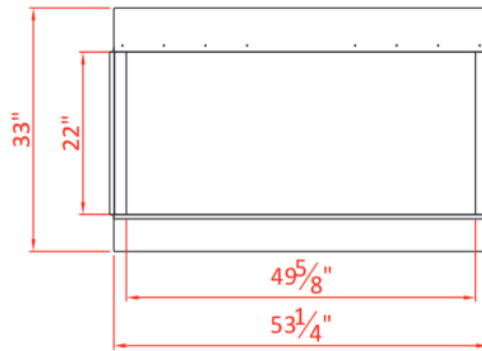
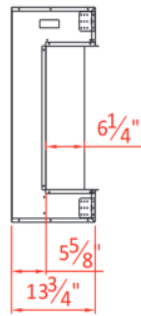
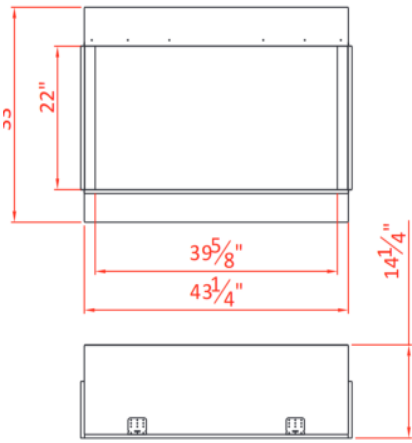
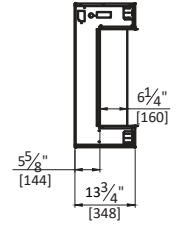
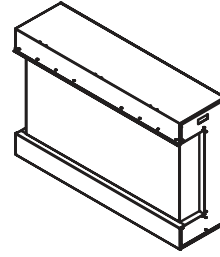
Left side open



Right side open



Both sides closed

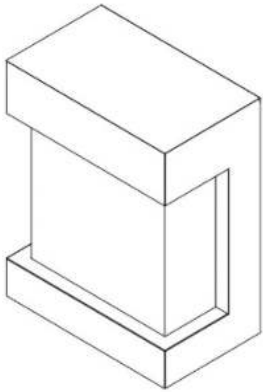




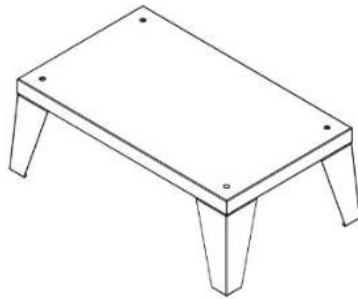
CUBE-2025-WM-LUMINA - ICE Media

## TECH SPECIFICATIONS

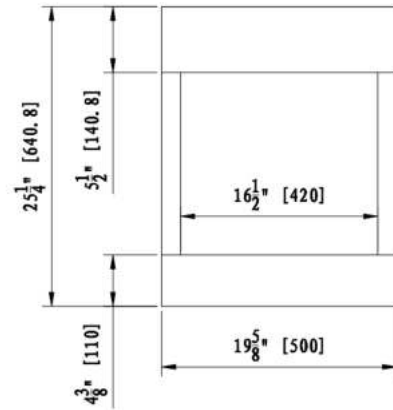
Wall Mount



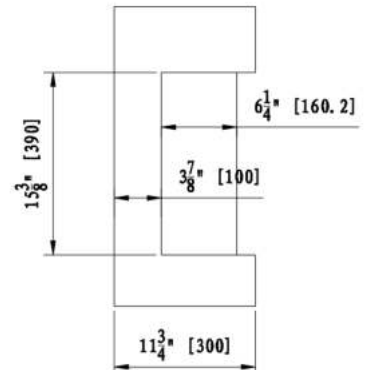
Leg Base



FRONT VIEW



SIDE VIEW



## FEATURES

- 3-sided built-in electric fireplace
- WiFi Compatible to connect and control the fireplace from your smartphone with the use of our app. Available on the Google Play Store and Apple App Store
- Three speed flame motor
- Heat output 5000 BTU
- No unsightly venting and grills seen. A true clean and vent free look
- Programmable timer & thermostat allows you to decide the temperature of the room. Set your fireplace to turn on before you arrive home or have it automatically turn on when the weather is cold.
- Touch pad for convenient control

of the features and temperature display from the fireplace.

- Choose from combinations of yellow, orange and red colored flames
- Approved for indoor or outdoor applications.\*
- Choose from 11 color settings of canopy lighting (10 colors and a cycle thru setting)
- Two flame pattern styles – standard and more traditional
- New patented thermostatic remote comes included

## DECORATIVE MEDIA & ACCESSORIES

- **Included Media** – 12 Piece Oak Med Log Set and a remote



DESIGN-MEDIA-OAK-12PCE-MD



*\*Manufacturer guidelines regarding outdoor installation must be followed. Please refer to the owner's manual for additional information*



| PART NUMBER        | DESCRIPTION   | 2024 MSRP  |
|--------------------|---|------------|
| CUBE-2025WM-LUMINA | "THE CUBE" - Lumina Smart Electric Fireplace, WiFi Enabled, Programable Remote Control, Multi Flame Speeds, Comes with a 14 Piece Small Oak Log Set | \$1,799.00 |
| Cube-Base-Legs     | Pedestal Base for the "The Cube" - attaches to the Cube Unit  | \$129.00   |





BI-40-XTRASLIM MAIN-DARK-B-XS40 Natural Birch

## FEATURES

- WiFi Compatible to connect and control the fireplace from your smartphone with the use of our app. Available on the Google Play Store and Apple App Store
- Three speed flame motor
- Heat output 5000 BTU
- No unsightly venting and grills seen. A true clean and vent free look
- Programmable timer & thermostat allows you to decide the temperature of the room. Set your fireplace to turn on before you arrive home or have it automatically turn on when the weather is cold.
- Touch pad for convenient control of the features and temperature display from the fireplace.
- Choose from combinations of yellow, orange and red colored flames
- Approved for indoor or outdoor applications\*
- Choose from 11 color settings of canopy lighting (10 colors and a cycle thru setting)
- Two flame pattern styles – standard and more traditional
- New patented thermostatic remote comes included



*\*Manufacturer guidelines regarding outdoor installation must be followed. Please refer to the owner's manual for additional information*

**DECORATIVE MEDIA & ACCESSORIES**

• **Included Media Smart** - Clear decorative media, plus a remote.



• **Included Media Lumina** – Clear decorative media, plus a remote.

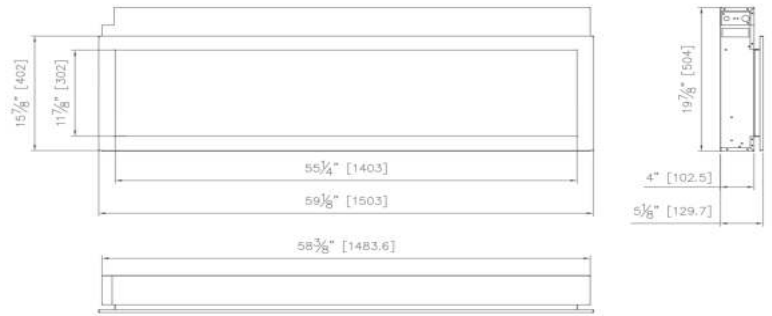
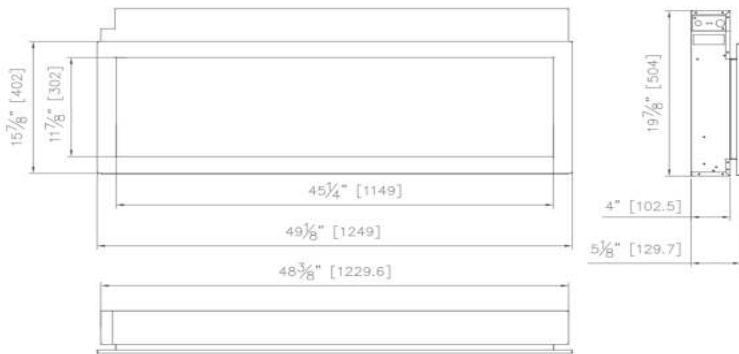
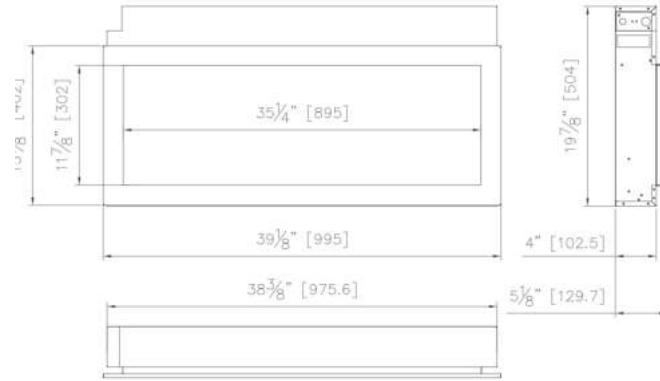
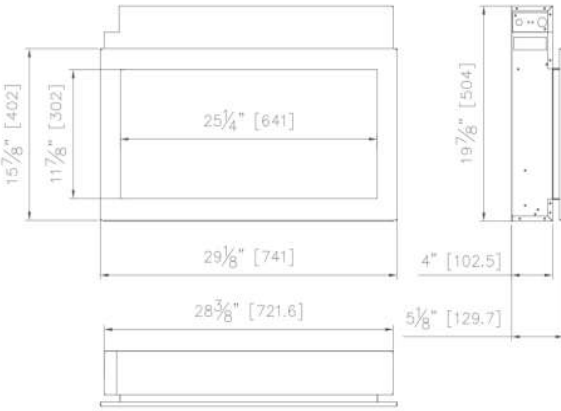


| PART NUMBER                           | DESCRIPTION   | 2024 MSRP  |
|---------------------------------------|---|------------|
| BI-30-XTRASLIM                        | Panorama Xtraslim Full View Smart Electric - 30" Indoor /Outdoor WiFi Enabled Fireplace, featuring a MultiFunction Remote, Multi Speed Flame Motor, Glass Media & a Black Trim                  | \$1,399.00 |
| BI-40-XTRASLIM                        | Panorama Xtraslim Full View Smart Electric - 40" Indoor /Outdoor WiFi Enabled Fireplace, featuring a MultiFunction Remote, Multi Speed Flame Motor, Glass Media & a Black Trim                  | \$1,699.00 |
| BI-50-XTRASLIM-LUMINA <sup>*New</sup> | Panorama Xtraslim Lumina - 50" Indoor /Outdoor Built In Full View Smart Electric Fireplace, WiFi Enabled, Programable Remote Control, Multi Flame Speeds, Comes with Glass Media & a Black Trim | \$1,999.00 |
| BI-60-XTRASLIM                        | Panorama Xtraslim Full View Smart Electric - 60" Indoor /Outdoor WiFi Enabled Fireplace, featuring a MultiFunction Remote, Multi Speed Flame Motor, Glass Media & a Black Trim                  | \$2,299.00 |
| PAN-COV-40                            | 40" Stainless Steel Fireplace Outdoor Cover - Suitable for Panorama Xtraslim, Slim & Deep Series  | \$299.00   |
| PAN-COV-50                            | 50" Stainless Steel Fireplace Outdoor Cover - Suitable for Panorama Xtraslim, Slim & Deep Series  | \$399.00   |
| PAN-COV-60                            | 60" Stainless Steel Fireplace Outdoor Cover - Suitable for Panorama Xtraslim, Slim & Deep Series  | \$499.00   |
| MAN-BMKB-XS40                         | Knotty Black Birch Wooden Mantel Surround for BI-40 Xtraslim  | \$799.00   |
| MAN-BMGB-XS40                         | Gray Bark Birch Wooden Mantel Surround for BI-40 Xtraslim   | \$799.00   |
| MAN-BMWB-XS40                         | White Birch Wooden Mantel Surround for BI-40 Xtraslim   | \$799.00   |
| MAN-BMNB-XS40                         | Natural Birch Wooden Mantel Surround for BI-40 Xtraslim   | \$799.00   |





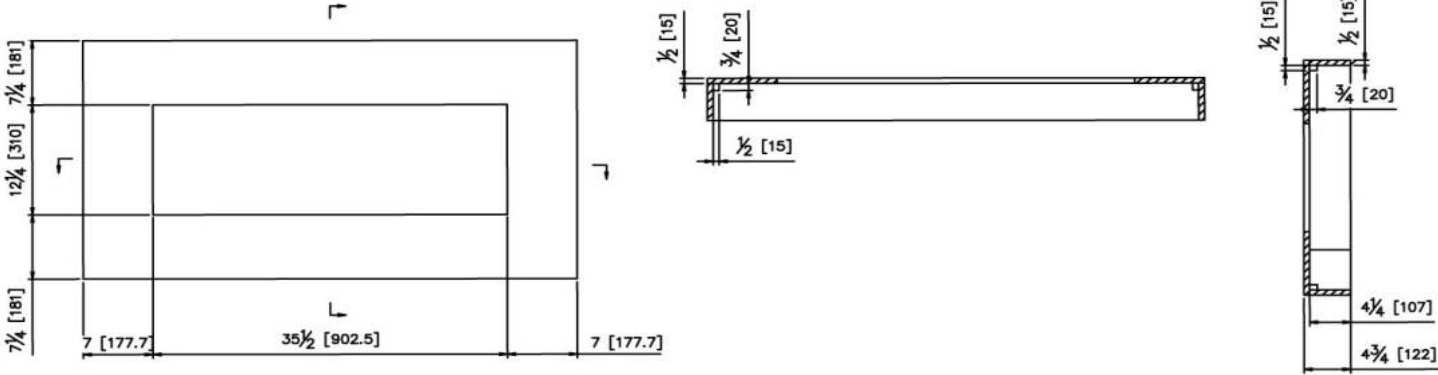
TECH SPECIFICATIONS





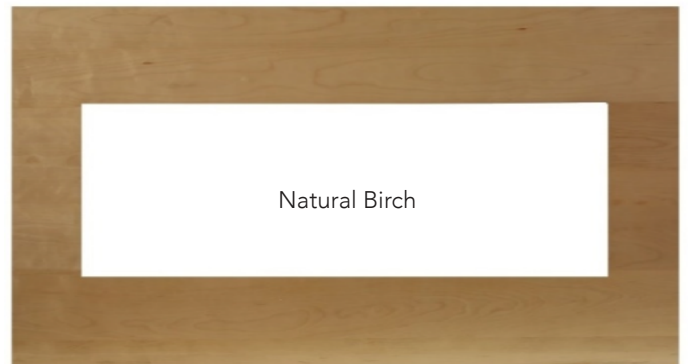
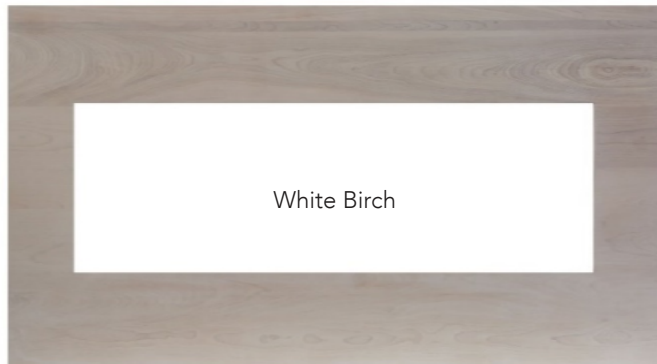
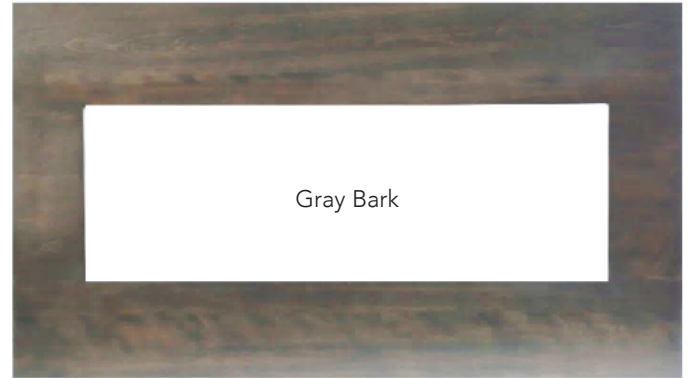
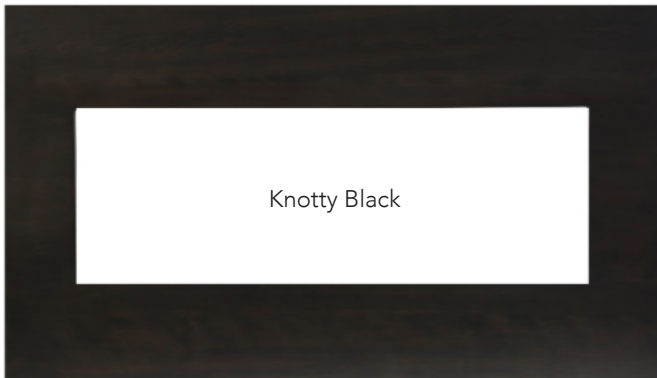
BI-40-XTRASLIM.M.111-BMKB-XS40 Natural Birch

**TECH SPECIFICATIONS**



**FEATURES**

- Four nature inspired colors to choose from
- Easy installation
- All models are rated for use in kitchens and bathrooms
- Not rated for outdoor use
- Touch up pen included
- Crafted from birch wood



| PART NUMBER   | DESCRIPTION  | 2024 MSRP |
|---------------|--|-----------|
| MAN-BMKB-XS40 | Knotty Black Birch Wooden Mantel Surround for BI-40 Xtraslim | \$799.00  |
| MAN-BMGB-XS40 | Gray Bark Birch Wooden Mantel Surround for BI-40 Xtraslim    | \$799.00  |
| MAN-BMWB-XS40 | White Birch Wooden Mantel Surround for BI-40 Xtraslim        | \$799.00  |
| MAN-BMNB-XS40 | Natural Birch Wooden Mantel Surround for BI-40 Xtraslim      | \$799.00  |





BI-72-SLIM OD Clear Glass Media

## FEATURES

- WiFi Compatible to connect and control the fireplace from your smartphone with the use of our app. Available on the Google Play Store and Apple App Store
- Three speed flame motor
- 6 ¾" depth. Heat output 5000 BTU
- No unsightly venting and grills seen. A true clean and vent free look
- Programmable timer & thermostat allows you to decide the temperature of the room. Set your fireplace to turn on before you arrive home or have it automatically turn on when the weather is cold.
- Touch pad for convenient control of the features and temperature display from the fireplace.
- Choose from combinations of yellow, orange and red colored flames
- Approved for indoor or outdoor applications.\*
- Choose from 11 color settings of canopy lighting (10 colors and a cycle thru setting)
- Two flame pattern styles – standard and more traditional
- New patented thermostatic remote comes included



*\*Manufacturer guidelines regarding outdoor installation must be followed. Please refer to the owner's manual for additional information*

**DECORATIVE MEDIA & ACCESSORIES**

- **Included Media** – Clear decorative media and ICE media set



| PART NUMBER   | DESCRIPTION  | 2024 MSRP  |
|---------------|--|------------|
| BI-40-SLIM-OD | Panorama Slim Full View Smart Electric - 40" Indoor /Outdoor WiFi Enabled Fireplace, featuring a MultiFunction Remote, Multi Speed Flame Motor, Glass Media & a Black Trim | \$1,999.00 |
| BI-50-SLIM-OD | Panorama Slim Full View Smart Electric - 50" Indoor /Outdoor WiFi Enabled Fireplace, featuring a MultiFunction Remote, Multi Speed Flame Motor, Glass Media & a Black Trim | \$2,299.00 |
| BI-60-SLIM-OD | Panorama Slim Full View Smart Electric - 60" Indoor /Outdoor WiFi Enabled Fireplace, featuring a MultiFunction Remote, Multi Speed Flame Motor, Glass Media & a Black Trim | \$2,499.00 |
| BI-72-SLIM-OD | Panorama Slim Full View Smart Electric - 72" Indoor /Outdoor WiFi Enabled Fireplace, featuring a MultiFunction Remote, Multi Speed Flame Motor, Glass Media & a Black Trim | \$2,899.00 |
| BI-88-SLIM-OD | Panorama Slim Full View Smart Electric - 88" Indoor /Outdoor WiFi Enabled Fireplace, featuring a MultiFunction Remote, Multi Speed Flame Motor, Glass Media & a Black Trim | \$3,399.00 |
| PAN-COV-40    | 40" Stainless Steel Fireplace Outdoor Cover - Suitable for Panorama Xtraslim, Slim & Deep Series   | \$299.00   |
| PAN-COV-50    | 50" Stainless Steel Fireplace Outdoor Cover - Suitable for Panorama Xtraslim, Slim & Deep Series   | \$399.00   |
| PAN-COV-60    | 60" Stainless Steel Fireplace Outdoor Cover - Suitable for Panorama Xtraslim, Slim & Deep Series   | \$499.00   |
| PAN-COV-72    | 72" Stainless Steel Fireplace Outdoor Cover - Suitable for Panorama Xtraslim, Slim & Deep Series   | \$599.00   |
| PAN-COV-88    | 88" Stainless Steel Fireplace Outdoor Cover - Suitable for Panorama Xtraslim, Slim & Deep Series   | \$699.00   |



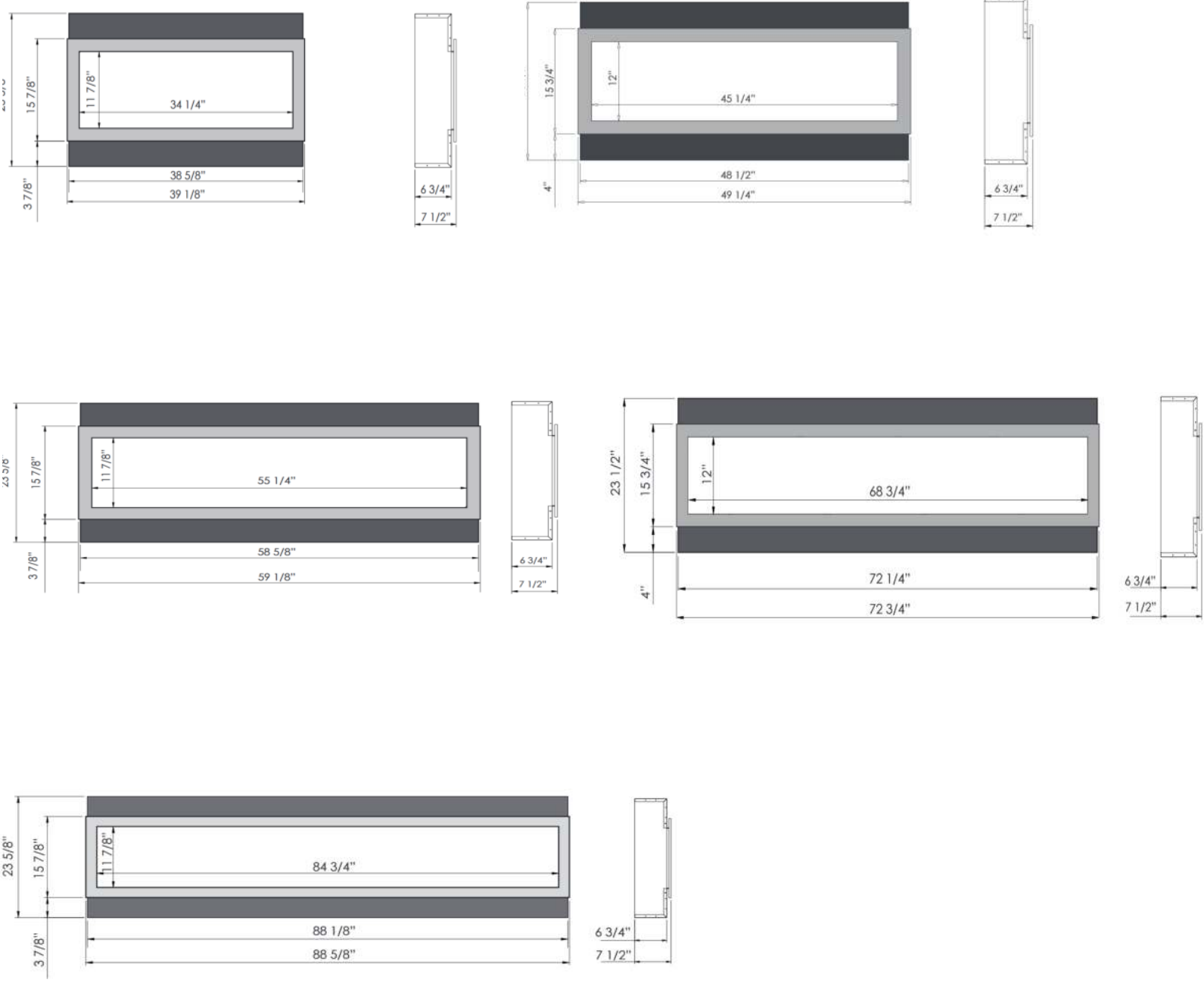
BI-40-SLIM OD Clear Glass Media



BI-50-SLIM OD Trimless



TECH SPECIFICATIONS





FI-88-DEEP-OD 14PCE Rustic

## FEATURES

- WiFi Compatible to connect and control the fireplace from your smartphone with the use of our app. Available on the Google Play Store and Apple App Store
- Three speed flame motor
- 12" depth. Heat output 5000 BTU
- No unsightly venting and grills seen. A true clean and vent free look
- Programmable timer & thermostat allows you to decide the temperature of the room. Set your fireplace to turn on before you arrive home or have it automatically turn on when the weather is cold.
- Touch pad for convenient control of the features and temperature display from the fireplace.
- Choose from combinations of yellow, orange and red colored flames
- Approved for indoor or outdoor applications.\*
- Choose from 11 color settings of canopy lighting (10 colors and a cycle thru setting)
- Two flame pattern styles – standard and more traditional
- New patented thermostatic remote comes included



*\*Manufacturer guidelines regarding outdoor installation must be followed. Please refer to the owner's manual for additional information*

**DECORATIVE MEDIA & ACCESSORIES**

- **Included Media** – 10 piece Oak log set and optional black steel surround, plus a remote.



| PART NUMBER          | DESCRIPTION   | 2024 MSRP  |
|----------------------|---|------------|
| BI-40-DEEP-OD-LUMINA | Panorama Deep Lumina - 40" Indoor /Outdoor Built In Full View Smart Electric Fireplace, WiFi Enabled, Programable Remote Control, Multi Flame Speeds, Comes with Glass, Oak Logs, Glowing Log Media, and Black Trim | \$2,899.00 |
| BI-50-DEEP-OD        | Panorama Deep Full View Smart Electric - 50" Indoor /Outdoor WiFi Enabled Fireplace, featuring a MultiFunction Remote, Multi Speed Flame Motor, Glass Media & a Black Trim  | \$3,399.00 |
| BI-60-DEEP-OD        | Panorama Deep Full View Smart Electric - 60" Indoor /Outdoor WiFi Enabled Fireplace, featuring a MultiFunction Remote, Multi Speed Flame Motor, Glass Media & a Black Trim  | \$3,799.00 |
| BI-72-DEEP-OD        | Panorama Deep Full View Smart Electric - 72" Indoor /Outdoor WiFi Enabled Fireplace, featuring a MultiFunction Remote, Multi Speed Flame Motor, Glass Media & a Black Trim  | \$4,199.00 |
| BI-88-DEEP-OD        | Panorama Deep Full View Smart Electric - 88" Indoor /Outdoor WiFi Enabled Fireplace, featuring a MultiFunction Remote, Multi Speed Flame Motor, Glass Media & a Black Trim  | \$4,499.00 |
| PAN-COV-40           | 40" Stainless Steel Fireplace Outdoor Cover - Suitable for Panorama Xtraslim, Slim & Deep Series  | \$299.00   |
| PAN-COV-50           | 50" Stainless Steel Fireplace Outdoor Cover - Suitable for Panorama Xtraslim, Slim & Deep Series  | \$399.00   |
| PAN-COV-60           | 60" Stainless Steel Fireplace Outdoor Cover - Suitable for Panorama Xtraslim, Slim & Deep Series  | \$499.00   |
| PAN-COV-72           | 72" Stainless Steel Fireplace Outdoor Cover - Suitable for Panorama Xtraslim, Slim & Deep Series  | \$599.00   |
| PAN-COV-88           | 88" Stainless Steel Fireplace Outdoor Cover - Suitable for Panorama Xtraslim, Slim & Deep Series  | \$699.00   |

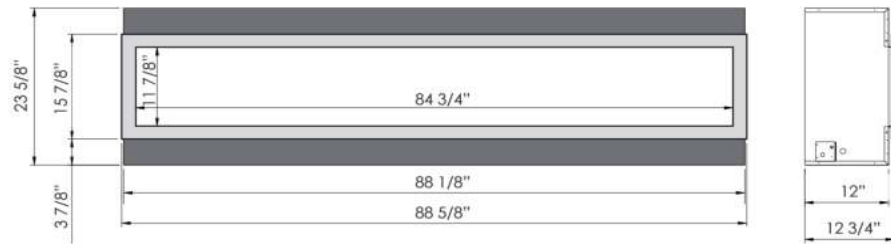
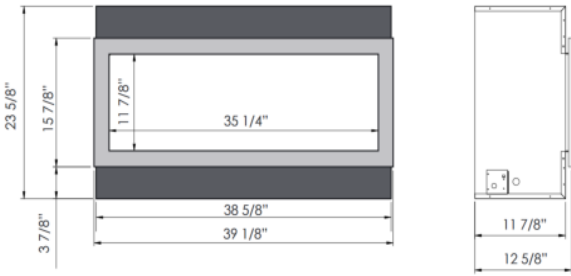




BI-88-DEEP-OD ICE MEDIA Fi-10-Diamond Trimless



BI-74-DEEP-OD 16PCE Split







BI-72-DEEP-XT18PCE Oak

## FEATURES

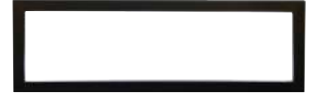
- WiFi Compatible to connect and control the fireplace from your smartphone with the use of our app. Available on the Google Play Store and Apple App Store
- Three speed flame motor
- 12" depth. Heat output 5000 BTU
- No unsightly venting and grills seen. A true clean and vent free look
- Programmable timer & thermostat allows you to decide the temperature of the room. Set your fireplace to turn on before you arrive home or have it automatically turn on when the weather is cold.
- Touch pad for convenient control of the features and temperature display from the fireplace.
- Choose from combinations of yellow, orange and red colored flames
- Approved for indoor or outdoor applications.\*
- Choose from 11 color settings of canopy lighting (10 colors and a cycle thru setting)
- Two flame pattern styles – standard and more traditional
- New patented thermostatic remote comes included





DECORATIVE MEDIA & ACCESSORIES

The Panorama Extra Tall Smart series comes with your choice of one Design Media Kit, the ICE media set, plus a remote.



YOUR CHOICE:



DESIGN-MEDIA-BIRCH-15PCE



DESIGN-MEDIA-DRIFT-15PCE



DESIGN-MEDIA-RUSTIC-14PCE



DESIGN-MEDIA-OAK-18PCE



DESIGN-MEDIA-SPLIT-LOG-16PCE



ICE-MEDIA-FI-109-DIAMOND



*\*Manufacturer guidelines regarding outdoor installation must be followed. Please refer to the owner's manual for additional information*

| PART NUMBER                  | DESCRIPTION   | 2024 MSRP       |
|------------------------------|---|-----------------|
| BI-40-DEEP-XT                | Panorama Deep & Xtra Tall Full View Smart Electric - 40" Indoor /Outdoor WiFi Enabled Fireplace, featuring a MultiFunction Remote, Multi Speed Flame Motor, Glass Media & a Black Trim  | \$3,199.00      |
| BI-50-DEEP-XT-LUMINA         | Panorama Deep and Extra Tall Lumina - 50" Indoor /Outdoor Built In Full View Smart Electric Fireplace, WiFi Enabled, Programable Remote Control, Multi Flame Speeds, Comes with Glass, Glowing Log Media, a Selection of Media Options and a Black Trim | \$3,599.00      |
| BI-60-DEEP-XT                | Panorama Deep & Xtra Tall Full View Smart Electric - 60" Indoor /Outdoor WiFi Enabled Fireplace, featuring a MultiFunction Remote, Multi Speed Flame Motor, Glass Media & a Black Trim  | \$4,199.00      |
| BI-72-DEEP-XT                | Panorama Deep & Xtra Tall Full View Smart Electric - 72" Indoor /Outdoor WiFi Enabled Fireplace, featuring a MultiFunction Remote, Multi Speed Flame Motor, Glass Media & a Black Trim  | \$4,499.00      |
| BI-88-DEEP-XT                | Panorama Deep & Xtra Tall Full View Smart Electric - 88" Indoor /Outdoor WiFi Enabled Fireplace, featuring a MultiFunction Remote, Multi Speed Flame Motor, Glass Media & a Black Trim  | \$4,899.00      |
| DESIGN-MEDIA-15PCE           | DRIFTWOOD - 15 Piece Deluxe Media Kit Includes: 15 logs, stones, pebbles & embers   | Dealer's Choice |
| DESIGN-MEDIA-BIRCH-15PCE     | BIRCH - 15 Piece Deluxe Media Kit Includes: 15 logs, stones, pebbles & embers   | Dealer's Choice |
| DESIGN-MEDIA-14PCE           | RUSTIC - 14 Piece Deluxe Media Kit Includes: 14 logs, stones, pebbles & embers  | Dealer's Choice |
| DESIGN-MEDIA-SPLIT-LOG-16PCE | SPLIT LOG - 16 Piece Deluxe Media Kit Includes: 16 logs, stones, pebbles & embers   | Dealer's Choice |
| DESIGN-MEDIA-OAK-18PCE       | OAK - 18 Piece Deluxe Media Kit Includes: 18 logs, stones, pebbles & embers   | Dealer's Choice |
| Fi-109-Diamond               | Ice Media Kit Includes: 3 large glass rocks, 95 clear diamond media, 10 blue diamond media and a package of clear acrylic media   | Dealer's Choice |



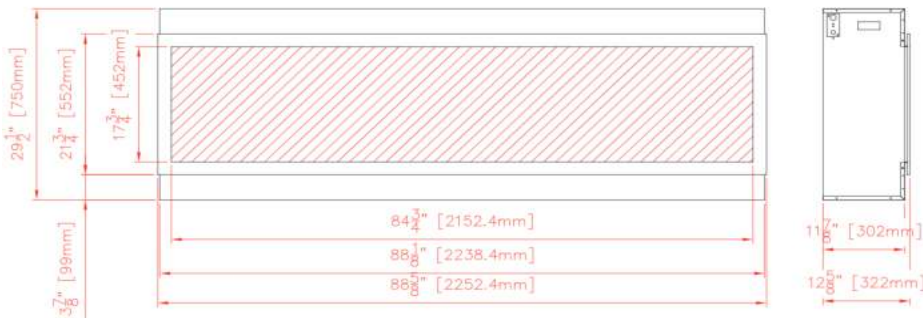
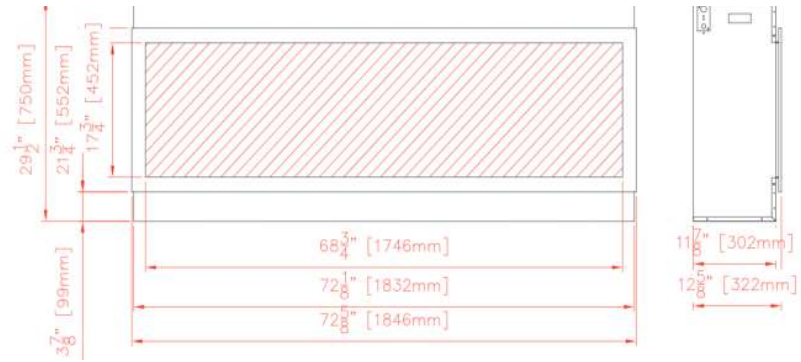
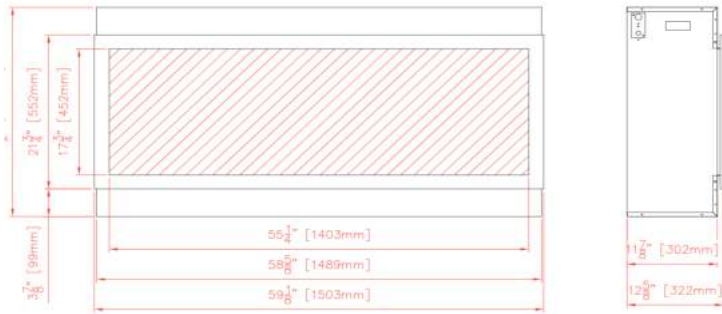
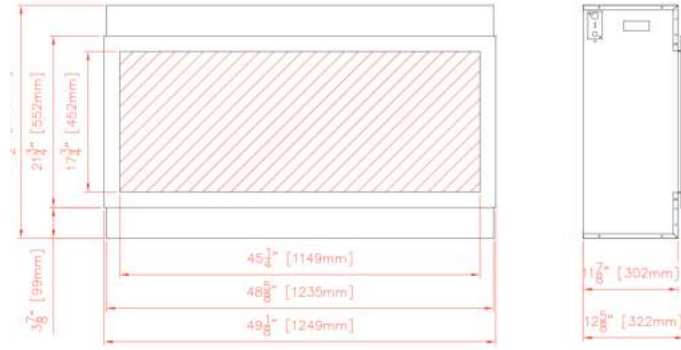
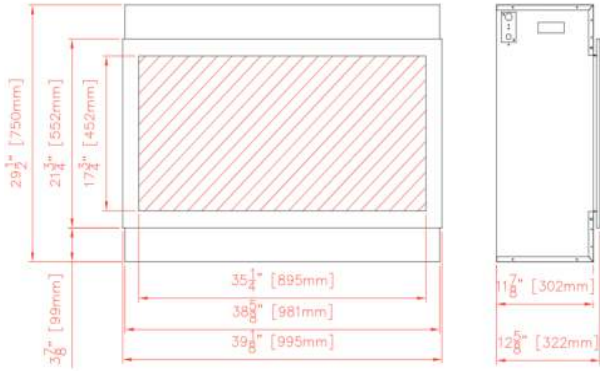
BI-88-DEEP-OD 14PCE Rustic Trimless



BI-74-DEEP-OD 15PCE Birch



TECH SPECIFICATIONS

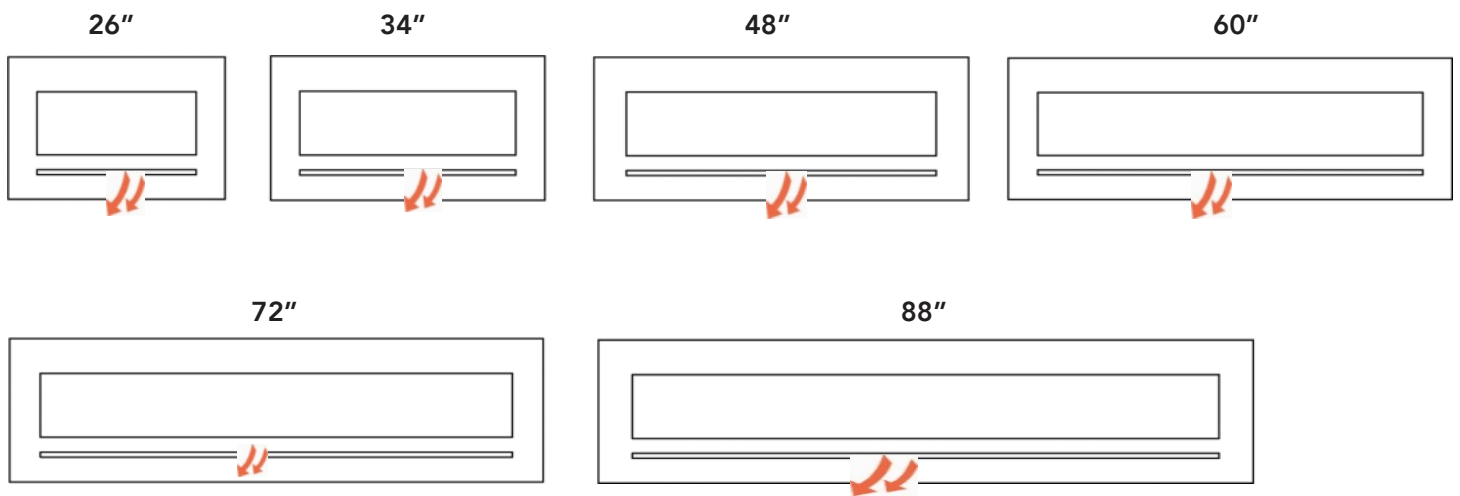






WM-FML-72-7823-STL Clear Media

## TECH SPECIFICATIONS



## FEATURES

- Can be built in flush or wall mounted with included brackets. Heat is emitted from a single slot in the face of the surround.
- FIRE & ICE ® Flame presentation - three light strips allow for yellow, orange, blue, violet and rose colored flames
- Stove bright charcoal metallic finished steel surround
- Touch pad with temperature display
- Latest LED light technology
- 13 colors of surround back-lighting
- Hard-wire ready
- Thermostat hard-wire ready
- Plug on left side
- Heat can operate without flame
- Single remote control for flame, surround back-lighting & heater included
- Can produce up to 5000 BTU of heat, enough to heat up to 500 sq feet

## DECORATIVE MEDIA & ACCESSORIES

- **Included Media** – Clear decorative media



| PART NUMBER        | DESCRIPTION   | 2024 MSRP  |
|--------------------|---|------------|
| WM-FML-26-3223-STL | Wall Mount / Flush Mount - 26" Electric Fireplace with a Steel Surround and Glass Media | \$1,399.00 |
| WM-FML-34-4023-STL | Wall Mount / Flush Mount - 34" Electric Fireplace with a Steel Surround and Glass Media | \$1,699.00 |
| WM-FML-48-5523-STL | Wall Mount / Flush Mount - 48" Electric Fireplace with a Steel Surround and Glass Media | \$1,999.00 |
| WM-FML-60-6623-STL | Wall Mount / Flush Mount - 60" Electric Fireplace with a Steel Surround and Glass Media | \$2,399.00 |
| WM-FML-72-7823-STL | Wall Mount / Flush Mount - 72" Electric Fireplace with a Steel Surround and Glass Media | \$2,699.00 |
| WM-FML-88-9623-STL | Wall Mount / Flush Mount - 88" Electric Fireplace with a Steel Surround and Glass Media | \$3,199.00 |



WM-FM-34-4423-BG

## TECH SPECIFICATIONS

26"



34"



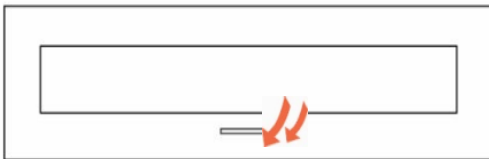
48"



60"



72"



88"



51"





## FEATURES

- WiFi Compatible to connect and control the fireplace from your smartphone with the use of our app. Available on the Google Play Store and Apple App Store
- Three speed flame motor
- 5000 BTU
- No unsightly venting and grills seen. A true clean and vent free look
- Programmable timer & thermostat allows you to decide the temperature of the room. Set your fireplace to turn on before you arrive home or have it automatically turn on when the weather is cold.
- Touch pad for convenient control of the features and temperature display from the fireplace.
- Choose from combinations of yellow, orange and red colored flames
- Approved for indoor or outdoor applications. \*Overhang required for outdoor applications
- Choose from 11 color settings of canopy lighting (10 colors and a cycle thru setting)
- Two flame pattern styles – standard and more traditional
- New patented thermostatic remote comes included



## DECORATIVE MEDIA & ACCESSORIES

- **Included Media** – 10PCE Birch with Remote

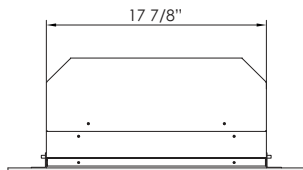
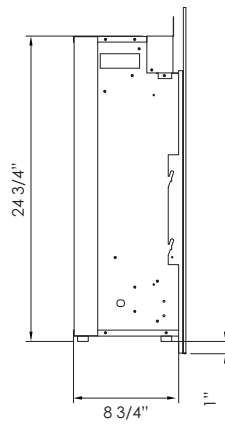
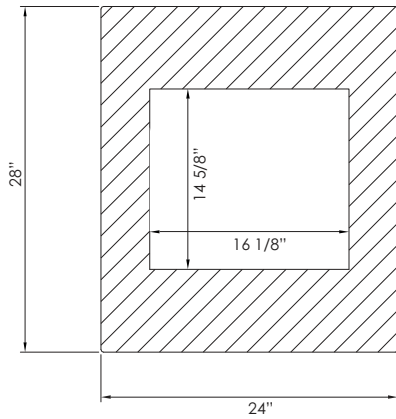


| PART NUMBER       | DESCRIPTION   | 2024 MSRP  |
|-------------------|---|------------|
| WM-FM-26-3623-BG  | Wall Mount/ Flush Mount Smart Electric 26" Indoor / Outdoor WiFi Enabled Fireplace, Featuring a MultiFunction Remote Control , Multi Speed Flame Motor  | \$1,499.00 |
| WM-FM-34-4423-BG  | Wall Mount/ Flush Mount Smart Electric 34" Indoor / Outdoor WiFi Enabled Fireplace , Featuring a MultiFunction Remote Control , Multi Speed Flame Motor | \$1,899.00 |
| WM-FM-48-5823-BG  | Wall Mount/ Flush Mount Smart Electric 48" Indoor / Outdoor WiFi Enabled Fireplace , Featuring a MultiFunction Remote Control , Multi Speed Flame Motor | \$2,299.00 |
| WM-FM-50-BG-3     | Wall Mount/ Flush Mount Smart Electric 50" Indoor / Outdoor WiFi Enabled Fireplace , Featuring a MultiFunction Remote Control , Multi Speed Flame Motor | \$2,199.00 |
| WM-FM-60-7023-BG  | Wall Mount/ Flush Mount Smart Electric 60" Indoor / Outdoor WiFi Enabled Fireplace , Featuring a MultiFunction Remote Control , Multi Speed Flame Motor | \$2,799.00 |
| WM-FM-72-8123-BG  | Wall Mount/ Flush Mount Smart Electric 72" Indoor / Outdoor WiFi Enabled Fireplace , Featuring a MultiFunction Remote Control , Multi Speed Flame Motor | \$3,199.00 |
| WM-FM-88-10023-BG | Wall Mount/ Flush Mount Smart Electric 88" Indoor / Outdoor WiFi Enabled Fireplace , Featuring a MultiFunction Remote Control , Multi Speed Flame Motor | \$3,699.00 |



M-BI-2428-CLR-BG with CURVED Glass 10PCE Oak

## TECH SPECIFICATIONS



Not all spaces can accommodate a full scale fireplace, and here is where the WM-BI-2428 VLR-BG literally and figuratively shines. This corner fireplace is all about complimenting your home's unique interior, be it rustic or contemporary, and rest assured this corner fireplace will punctuate your interior taste like a personal signature.

### FEATURES

- 2 Installation Options - Built In or Mounted Cross Corner
- Black Glass Surround with a Curved Glass Design is available for purchase
- Improved Uplights and Downlights
- Thermostat and Hardwire Ready
- Perfect for New Construction and Renovation Projects

### DECORATIVE MEDIA & ACCESSORIES

- **Included Media** – 10 piece Oak log set and optional black steel surround, plus a remote.



| PART NUMBER       | DESCRIPTION  | 2024 MSRP  |
|-------------------|--|------------|
| WM-BI-2428-VLR-BG | Wall Mount or Built In Smart Electric, WiFi Enabled Fireplace, includes a Black Glass Surround, MultiFunction Remote Control and Multi Speed Flame Motor, and 10 Piece Oak Log Set and Sable Glass | \$1,699.00 |
| 2428-CURVEDGLS    | Curved Glass for WM-BI-2428 VLR BG   | \$199.00   |









*Amantii*  
ELECTRIC FIREPLACES  
*Signature*



AM-PL-US AUG 2024

Distributed By:

*Amantii*

Visit our online showrooms at:  
[www.amantii.com](http://www.amantii.com)

We reserve the right to update products, specifications and dimensions are subject to change. Please refer to the product manual to verify measurements and clearance requirements. All local building codes must be followed.