



Outdoor Fireplaces



Fire Bowls & Tables



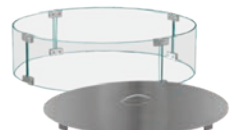
Burner Kits



Burner Systems



Log Sets



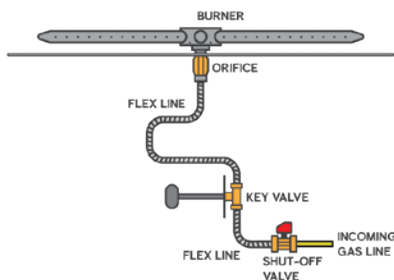
Fire Pit Accessories

IGNITION SYSTEMS

MATCH THROW

MT Ignition System

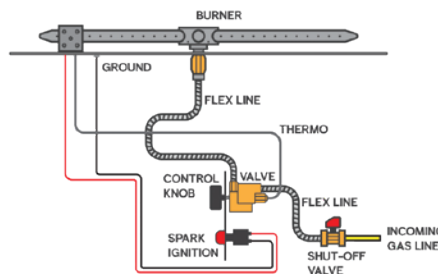
- Most popular ignition system, least amount of cost
- Light a match or a butane lighter
- Can be used in residential installs
- This system is the easiest to use, and with non-listed burners you can achieve high BTU's and big flames.



THERMOCOUPLE PILOTED SAFETY IGNITION

TPSI Ignition System

- Thermocouple Piloted System with Safety Valve turns gas off when loss of flame
- Easy ignition with Manual Spark Igniter (included)
- TMS System with Safety Valve turns gas off when flame goes out
- Robust ignition system with full BTU throughput



ALL WEATHER ELECTRONIC IGNITION SYSTEM

AWS Ignition System

This all weather electronic ignition system will make designing your project easier as well as making installation a breeze.

In addition to the AWS System that we have on all our Sanctuary Series & Burner Systems; we also offer an **AWS A La Carte System** for you to build your own custom burner system that fits your needs.



Run up to 4 fire features off of one power supply



Place fire features within 5 feet of water source

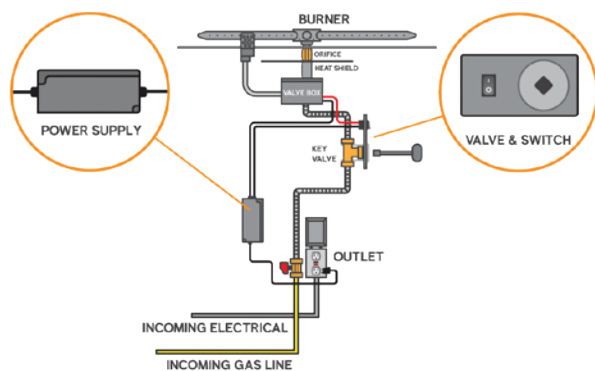


Extremely reliable in strong wind and heavy rain

SINGLE FIRE FEATURE



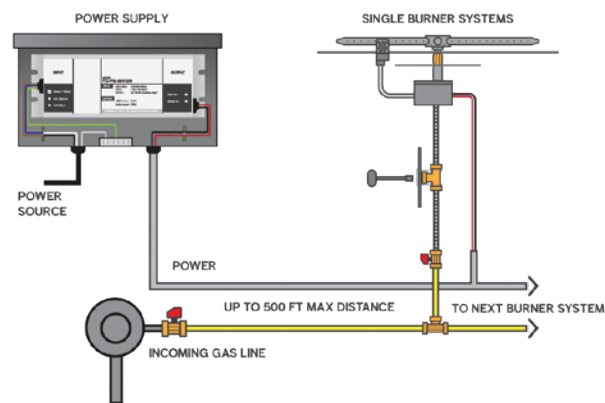
Further than 10 feet from a water source



Single Fire Feature Components

FG-AWS30VDC-GOEK-N \$2783 | **FG-AWS30VDC-GOEK-P \$2922**
Includes: FG-SCNG-30VDC Valve System, 30" Pilot Assembly, Heat Shield, Wire Leads, Hardware Bag, GOE-30VDC Power Supply, ON/OFF Switch and Stainless Steel Mounting Plate. Replaces part # FG-AWS30VDC-RCK **NG BTU: 290k** | **LP BTU: 290k**

MULTIPLE FIRE FEATURES



Multiple Fire Feature Components

FG-AWS30VDC-HC-K-N \$2745 | **FG-AWS30VDC-HC-K-P \$2882**
HIGHER BTU: FG-HCNG-30VDC Valve System with kit. Power Supply not included. 1 model required per fire feature. **NG BTU: 715k** | **LP BTU: 715k**

FG-AWS30VDC-K-N \$2453 | **FG-AWS30VDC-K-P \$2575**
FG-SCNG-30VDC Valve System with Kit. Power supply not included. 1 model required per fire feature. **NG BTU: 290k** | **LP BTU: 290k**

FG-AWS-PS-30V320 \$429

Pool Certified, 30VDC, 320W Power Supply - Built into NEMA Approved Enclosure. **Used for 1 - 4 fire features** with a max run of 500 feet.

Pricing, model numbers and availability are subject to change without notice.

Stainless Steel Burner Systems - Round Drop-In Pan

- Available in Drop-In or Flat Pan Styles
- Choose from Different Ignition Systems
 - AWS: All Weather Electronic Ignition System
 - TPSI: Thermocouple Piloted Safety Ignition
 - MT : Match Throw
- Different Types Available Like Round/Square/Linear

Model No.	Description	List Price
-----------	-------------	------------

AWS Burner System - Round Drop-In Pans

FPB-33RBSAWS-N ❖	33" Round SS Pan with 31" Burning Spur, 175,000 btu - NG	\$4,299.00
FPB-29RBSAWS-N ❖	29" Round SS Pan with 22" Burning Spur, 125,000 btu - NG	\$4,189.00



TPSI Burner System - Round Drop-In Pans

FPB-33RBS31TPSI-N	33" Round SS Pan with 31" Burning Spur, 150,000 btu - NG	\$1,879.00
FPB-29RBS22TPSI-N	29" Round SS Pan with 22" Burning Spur, 125,000 btu - NG	\$1,739.00
FPB-25RBS22TPSI-N ❖	25" Round SS Pan with 22" Burning Spur, 125,000 btu - NG	\$1,659.00
FPB-19RBS16TPSI-N	19" Round SS Pan with 16" Burning Spur, 75,000 btu - NG	\$1,489.00

MT Burner System - Round Drop-In Pans

FPB-33RBS31MT-N	33" Round SS Pan with 31" Burning Spur, 175,000 btu - NG	\$1,339.00
FPB-29RBS22MT-N	29" Round SS Pan with 22" Burning Spur, 125,000 btu - NG	\$1,119.00
FPB-25RBS22MT-N ❖	25" Round SS Pan with 22" Burning Spur, 125,000 btu - NG	\$969.00
FPB-19RBSMT-N	19" Round SS Pan with 16" Burning Spur, 75,000 btu - NG	\$719.00



AWS

LP Conversion Kits

OAS-LPK26	LP Conversion Kit for 175,000 btu Burner - MT	\$69.00
OAS-LPK29	LP Conversion Kit for 150,000 btu Burner - MT	\$69.00
OAS-LPK31	LP Conversion Kit for 125,000 btu Burner - MT	\$69.00
OAS-LPK41	LP Conversion Kit for 75,000 btu Burner - MT	\$69.00
TPSI-LPK29	LP Conversion Kit for 150,000 btu Burner - TPSI	\$129.00
TPSI-LPK31	LP Conversion Kit for 125,000 btu Burner - TPSI	\$129.00
TPSI-LPK41	LP Conversion Kit for 75,000 btu Burner - TPSI	\$129.00



TPSI



MT

Note: AWS burners require proper OAS kit plus the FG-AWS-PBO-P orifice to convert from NG to LP.

Windshields - Tempered Glass

GWS-38R	Round Windshield, Fits FPB-33R Burners	\$369.00
GWS-36R	Round Windshield, Fits FPB-29R Burners	\$299.00
GWS-32R ❖	Round Windshield, Fits FPB-25R Burners	\$269.00
GWS-23R	Round Windshield, Fits FPB-19R Burners	\$239.00

Lids

LID-33R2	SS Flat Round Lid, Fits FPB-33R Burners	\$460.00
LID-29R2	SS Flat Round Lid, Fits FPB-29R Burners	\$381.00
LID-25R2 ❖	SS Flat Round Lid, Fits FPB-25R Burners	\$303.00
LID-19R2	SS Flat Round Lid, Fits FPB-19R Burners	\$196.00

Pricing, model numbers and availability are subject to change without notice.

❖ - Non-Stock, Special Order - NO RETURNS or CANCELLATIONS

Stainless Steel Burner Systems - Round Flat Pan

- Available in Drop-In or Flat Pan Styles
- Choose from Different Ignition Systems
 - AWS: All Weather Electronic Ignition System
 - TPSI: Thermocouple Piloted Safety Ignition
 - MT : Match Throw
- Different Types Available Like Round/Square/Linear

Model No. **Description** **List Price**

AWS Burner System - Round Flat Pans

FPB-44DBSAWS-N ❖	44" Round SS Flat Pan with 36" Burning Spur, 250,000 btu - NG	\$4,499.00
FPB-34DBSAWS-N ❖	34" Round SS Flat Pan with 31" Burning Spur, 175,000 btu - NG	\$4,089.00
FPB-29DBSAWS-N ❖	29" Round SS Flat Pan with 22" Burning Spur, 125,000 btu - NG	\$3,969.00



TPSI Burner System - Round Flat Pans

FPB-34DBS31TPSI-N	34" Round SS Flat Pan with 31" Burning Spur, 150,000 btu - NG	\$1,829.00
FPB-29DBS22TPSI-N	29" Round SS Flat Pan with 22" Burning Spur, 125,000 btu - NG	\$1,639.00
FPB-26DBS22TPSI-N ❖	26" Round SS Flat Pan with 22" Burning Spur, 125,000 btu - NG	\$1,589.00



AWS

MT Burner System - Round Flat Pans

FPB-44DBS36MT-N	44" Round SS Flat Pan with 36" Burning Spur, 250,000 btu - NG	\$1,499.00
FPB-34DBS31MT-N	34" Round SS Flat Pan with 31" Burning Spur, 175,000 btu - NG	\$1,019.00
FPB-29DBS22MT-N	29" Round SS Flat Pan with 22" Burnign Spur, 125,000 btu - NG	\$829.00



TPSI

LP Conversion Kits

OAS-LPK12	LP Conversion Kit for 250,000 btu Burner - MT	\$69.00
OAS-LPK26	LP Conversion Kit for 175,000 btu Burner - MT	\$69.00
OAS-LPK29	LP Conversion Kit for 150,000 btu Burner - MT	\$69.00
OAS-LPK31	LP Conversion Kit for 125,000 btu Burner - MT	\$69.00
OAS-LPK41	LP Conversion Kit for 75,000 btu Burner - MT	\$69.00
TPSI-LPK29	LP Conversion Kit for 150,000 btu Burner - TPSI	\$129.00
TPSI-LPK31	LP Conversion Kit for 125,000 btu Burner - TPSI	\$129.00
TPSI-LPK41	LP Conversion Kit for 75,000 btu Burner - TPSI	\$129.00



MT

Note: AWS burners require proper OAS kit plus the FG-AWS-PBO-P orifice to convert from NG to LP.

Windshields and Lids

GWS-48R ❖	Round Windshield, Fits FPB-44 Burners	\$429.00
GWS-36R	Round Windshield, Fits FPB-29 Burners	\$299.00

Lids

LID-29R2	SS Flat Lid with Tabs, Fits FPB-29 Burners	\$381.00
----------	--	----------

Pricing, model numbers and availability are subject to change without notice.

Stainless Steel Burner Systems - Square Drop-In & Flat Pan

- Available in Drop-In or Flat Pan Styles
- Choose from Different Ignition Systems
 - AWS: All Weather Electronic Ignition System
 - TPSI: Thermocouple Piloted Safety Ignition
 - MT : Match Throw
- Different Types Available Like Round/Square/Linear

Model No. **Description** **List Price**

AWS Burner System - Square Drop-In & Flat Pans

FPB-38SBSAWS-N ❖	38" Square SS Pan with 36" Burning Spur, 250,000 btu - NG	\$4,699.00
FPB-32SBSAWS-N ❖	32" Square SS Pan with 31" Burning Spur, 175,000 btu - NG	\$4,199.00
FPB-26SBSAWS-N ❖	26" Square SS Pan with 22" Burning Spur, 125,000 btu - NG	\$4,049.00
FPB-34SFBSAWS-N ❖	34" Square SS Flat Pan with 31" Burning Spur, 175,000 btu - NG	\$4,179.00
FPB-30SFBSAWS-N ❖	30" Square SS Flat Pan with 22" Burning Spur, 125,000 btu - NG	\$4,039.00



Small Square SS Pan

TPSI Burner System - Square Drop-In & Flat Pans

FPB-34SFBS31TPSI-N ❖	34" Square SS Flat Pan with 31" Burning Spur, 150,000 btu - NG	\$1,789.00
FPB-32SBS31TPSI-N ❖	32" Square SS Pan with 31" Burning Spur, 150,000 btu - NG	\$1,969.00
FPB-30SFBS22TPSI-N	30" Square SS Flat Pan with 22" Burning Spur, 125,000 btu - NG	\$1,709.00
FPB-26SBS22TPSI-N	26" Square SS Pan with 22" Burning Spur, 125,000 btu - NG	\$1,729.00
FPB-25SFBS22TPSI-N ❖	25" Square SS Flat Pan with 22" Burning Spur, 125,000 btu - NG	\$1,619.00
FPB-20SBS16TPSI-N ❖	20" Square SS Pan with 16" Burning Spur, 75,000 btu - NG	\$1,589.00



Small Square Flat SS Pan

MT Burner System - Square Drop-In & Flat Pans

FPB-32SBS31MT-N ❖	32" Square SS Pan with 31" Burning Spur, 175,000 btu - NG	\$1,299.00
FPB-26SBS22MT-N	26" Square SS Pan with 22" Burning Spur, 125,000 btu - NG	\$999.00
FPB-20SBSMT-N ❖	20" Square SS Pan with 16" Burning Spur, 75,000 btu - NG	\$819.00
FPB-34SFBS31MT-N	34" Square SS Flat Pan with 31" Burning Spur, 175,000 btu - NG	\$1,029.00
FPB-30SFBS22MT-N ❖	30" Square SS Flat Pan with 22" Burning Spur, 125,000 btu - NG	\$899.00



AWS

LP Conversion Kits

OAS-LPK12	LP Conversion Kit for 250,000 btu Burner - MT	\$69.00
OAS-LPK26	LP Conversion Kit for 175,000 btu Burner - MT	\$69.00
OAS-LPK29	LP Conversion Kit for 150,000 btu Burner - MT	\$69.00
OAS-LPK31	LP Conversion Kit for 125,000 btu Burner - MT	\$69.00
OAS-LPK41	LP Conversion Kit for 75,000 btu Burner - MT	\$69.00
TPSI-LPK29	LP Conversion Kit for 150,000 btu Burner - TPSI	\$129.00
TPSI-LPK31	LP Conversion Kit for 125,000 btu Burner - TPSI	\$129.00
TPSI-LPK41	LP Conversion Kit for 75,000 btu Burner - TPSI	\$129.00



TPSI



MT

Note: AWS burners require proper OAS kit plus the FG-AWS-PBO-P orifice to convert from NG to LP.

Windshields and Lids

GWS-3030	Square Windshield, Fits FPB-26 Burners	\$229.00
LID-20S ❖	SS Square Lid, Fits FPB-20 Burners	\$290.00
LID-26S	SS Square Lid, Fits FPB-26 Burners	\$389.00
LID-32S ❖	SS Square Lid, Fits FPB-32 Burners	\$621.00

Pricing, model numbers and availability are subject to change without notice.

❖ - Non-Stock, Special Order - NO RETURNS or CANCELLATIONS

Stainless Steel Spur, H & T Burner Kits

Model No. **Description** **List Price**

Burning Spur Kits (MT)

Includes: 46" Flex Line, Key Valve, Cover and 12" Chrome Key

DBS-36K	36" SS Burning Spur Kit, 250,000 btu - NG	\$439.00
DBS-31K	31" SS Burning Spur Kit, 175,000 btu - NG	\$409.00
DBS-22K	22" SS Burning Spur Kit, 125,000 btu - NG	\$379.00
DBS-16K ❖	16" SS Burning Spur Kit, 75,000 btu - NG	\$319.00



Burning Spur Kits

H Burner Kits (MT)

Includes: Key Valve and Key

FG-H-8110SSK ❖	81" X 10" H Style Burner Kit, 225,000 btu - NG	\$489.00
FG-H-6910SSK ❖	69" x 10" H Style Burner Kit, 200,000 btu - NG	\$469.00
FG-H-5710SSK ❖	57" x 10" H Style Burner Kit, 175,000 btu - NG	\$419.00
FG-H-4806SSK ❖	48" X 6" H Style Burner Kit, 175,000 btu - NG	\$409.00
FG-H-3606SSK ❖	36" x 6" H Style Burner Kit, 125,000 btu - NG	\$369.00



H-Burner Kit 10"

T Burner Kits (MT)

Includes: Key Valve and Key

FG-T-81SSK ❖	81" T Style Burner Kit, 175,000 btu - NG	\$409.00
FG-T-69SSK ❖	69" T Style Burner Kit, 150,000 btu - NG	\$359.00
FG-T-57SSK ❖	57" T Style Burner Kit, 125,000 btu - NG	\$329.00
FG-T-45SSK ❖	45" T Style Burner Kit, 100,000 btu - NG	\$319.00
FG-T-33SSK ❖	33" T Style Burner Kit, 75,000 btu - NG	\$309.00



H-Burner Kit 6"

LP Conversion Kits

OAS-LPK12	LP Conversion Kit for 250,000 btu Burner	\$69.00
OAS-LPK19 ❖	LP Conversion Kit for 225,000 btu Burner	\$69.00
OAS-LPK22 ❖	LP Conversion Kit for 200,000 btu Burner	\$69.00
OAS-LPK26	LP Conversion Kit for 175,000 btu Burner	\$69.00
OAS-LPK29	LP Conversion Kit for 150,000 btu Burner	\$69.00
OAS-LPK31	LP Conversion Kit for 125,000 btu Burner	\$69.00
OAS-LPK35 ❖	LP Conversion Kit for 100,000 btu Burner	\$69.00
OAS-LPK41	LP Conversion Kit for 65,000 btu Burner	\$69.00



T-Burner Kit

Pricing, model numbers and availability are subject to change without notice.

Linear H & T Burner, Drop-In & Pan Styles

Model No. Description List Price

LOF-H Drop-In Pans (MT)

LOF-7216HMT-N ❖	72" X 16" H Drop-In Burner, 200,000 btu - NG	\$1,409.00
LOF-6016HMT-N ❖	60" X 16" H Drop-In Burner, 175,000 btu - NG	\$1,199.00
LOF-4814HMT-N ❖	48" X 14" H Drop-In Burner, 150,000 btu - NG	\$1,049.00
LOF-4214HMT-N ❖	42" X 14" H Drop-In Burner, 125,000 btu - NG	\$999.00



LOF-H Drop-In

LOF-H Flat Pans (MT)

LOF-7216FHMT-N ❖	72" x 16" H Flat Burner, 200,000 btu - NG	\$1,059.00
LOF-6016FHMT-N ❖	60" x 16" H Flat Burner, 175,000 btu - NG	\$879.00
LOF-4814FHMT-N	48" x 14" H Flat Burner, 150,000 btu - NG	\$819.00
LOF-3614FHMT-N	36" x 14" H Flat Burner, 125,000 btu - NG	\$739.00



LOF-H Flat

LOF-T Drop-In Pans (MT)

LOF-7206TMT-N ❖	72" X 6" T Drop-In Burner, 150,000 btu - NG	\$899.00
LOF-6006TMT-N ❖	60" x 6" T Drop-In Burner, 125,000 btu - NG	\$779.00
LOF-4806TMT-N ❖	48" x 6" T Drop-In Burner, 100,000 btu - NG	\$699.00
LOF-3606TMT-N ❖	36" x 6" T Drop-In Burner, 75,000 btu - NG	\$619.00



LOF-T Drop-In

LOF-T Flat Pans (MT)

LOF-7208FTMT-N ❖	72" x 8" H Flat Burner, 200,000 btu - NG	\$899.00
LOF-6008FTMT-N	60" x 8" H Flat Burner, 175,000 btu - NG	\$779.00
LOF-4808FTMT-N	48" x 8" H Flat Burner, 150,000 btu - NG	\$699.00



LOF-T Flat

LP Conversion Kits

OAS-LPK22 ❖	LP Conversion Kit for 200,000 btu Burner	\$69.00
OAS-LPK26	LP Conversion Kit for 175,000 btu Burner	\$69.00
OAS-LPK29	LP Conversion Kit for 150,000 btu Burner	\$69.00
OAS-LPK35 ❖	LP Conversion Kit for 100,000 btu Burner	\$69.00
OAS-LPK31	LP Conversion Kit for 125,000 btu Burner	\$69.00
OAS-LPK41	LP Conversion Kit for 65,000 btu Burner	\$69.00

Note: LOF Burners are available in AWS and TPSI ignition and additional sizes.

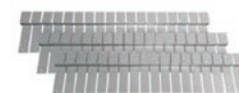
Pricing, model numbers and availability are subject to change without notice.

❖ - Non-Stock, Special Order - NO RETURNS or CANCELLATIONS

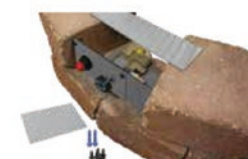
Flex Frames

- Allows you the flexibility to fill the gap between the firepit structure and the pan.
- Allows you to easily remove the burner without disturbing the structure.
- Flexible and easy to adapt for round, square, and rectangular fire pits.

Model No.	Description	List Price
FLEXFRAME-PRO3	Flex Frame - Three (3) 44" Pieces per Package, Wider Version, up to 5" larger than firepit OD size	\$569.00
FLEXFRAME-SS3	Flex Frame - Three (3) 44" Pieces per Package	\$389.00
FLEXFRAME-SS	Flex Frame - Two (2) 44" Pieces per Package	\$259.00



FLEXFRAME-PRO3



PAVER-CP-TMSI



PAVER-CP-MT



PAVER-CP-MT-MSI



PAVER-VENT-6-LNTS



PAVER-VENT-4-LNTS

SRW (Segmental Retaining Wall) / Paver Control Panels

- For use when building fire pit enclosures with SRW block and a burner system.
- Includes SRW Bracket Kit and Extender, Lintel - 12" L x 3" W, Screws and Fittings, Tapcon Concrete Anchors

PAVER-CP-AWS ❖	Paver Control Panel for AWS Burner Systems	\$69.00
PAVER-CP-TPSI	Paver Control Panel for TPSI Burner Systems	\$89.00
PAVER-CP-MT	Paver Control Panel for MT Burner Systems	\$99.00
PAVER-CP-MT-MSI	Paver Control Panel for MT Burner Systems, also Includes: Face Plate, Battery Operated Piezo Ignitor and Ignition Hood. Use when upgrading a MT to a MSI.	\$239.00

SRW /Paver Vent Kits

- Extends Overall Size up to 10" W
- Includes 2 Lintels, 12" L x 3" W, 20 Gauge Galvanized Steel
- Each Vent Provides 18 sq. in. of Ventilation

PAVER-VENT-6LNTS	SS Paver Vent Kit with Lintel, (2) 5 5/8" H x 8" W Vent	\$119.00
PAVER-VENT-4LNTS	SS Paver Vent Kit with Lintel, (2) 3 5/8" H x 8" W Vent	\$109.00

Pricing, model numbers and availability are subject to change without notice.

Media and Jewelry Options

Model No. Description List Price

Lava Rock and Stones

FG-LAVA-40	Lava Rock - 40 lb. Bag of approx. 1" to 2" Diam.	\$89.00
FG-LAVA-10	Lava Rock - 10 lb. Bag of approx. 1" to 2" Diam.	\$29.00
FG-LS50	Lava Stones - 50 lb. Bag of approx. 1" to 2" Diam.	\$199.00



Broken Glass - 10 lb Jug

GL-BLACK-10	Black Broken Glass - 10 lbs.	\$39.00
GL-COPPER-10	Copper Broken Glass - 10 lbs.	\$39.00
GL-CRYSTAL-10	Crystal Broken Glass - 10 lbs.	\$39.00
GL-LIGHTBLUE-10	Light Blue Broken Glass - 10 lbs.	\$39.00
GL-SEABREEZE-10	Seabreeze Broken Glass - 10 lbs.	\$39.00
GL-DARKBLUE-10 ❖	Dark Blue Broken Glass - 10 lbs.	\$39.00



Reflective Glass - 10 lb Jug

GRL-BLACK-10	Black Reflective Glass - 10 lbs.	\$59.00
GRL-BRONZE-10	Bronze Reflective Glass - 10 lbs.	\$59.00
GRL-COBALT-10	Cobalt Reflective Glass - 10 lbs.	\$59.00
GRL-COPPER-10	Copper Reflective Glass - 10 lbs.	\$59.00
GRL-SILVER-10	Silver Reflective Glass - 10 lbs.	\$59.00

Broken Glass

Approximately 1/2" to 3/4" in size.



Black
GL-BLACK-10



Copper
GL-COPPER-10



Crystal
GL-CRYSTAL-10



Light Blue
GL-LIGHTBLUE-10



Seabreeze
GL-SEABREEZE-10

Sold in 10lb jugs

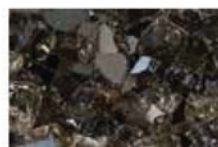


Reflective Glass

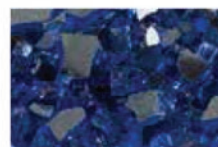
Approximately 1/2" to 3/4" in size.



Black
GRL-BLACK-10



Bronze
GRL-BRONZE-10



Cobalt
GRL-COBALT-10



Copper
GRL-COPPER-10



Silver
GRL-SILVER-10

Pricing, model numbers and availability are subject to change without notice.

❖ - Non-Stock, Special Order - NO RETURNS or CANCELLATIONS

Media and Jewelry Options

Model No. **Description** **List Price**

Steel Log and Twig Sets

L-IW-XL ❖	Ironwood Steel, 14 Piece, Log Set. Recommended to use with any Round or Square Firepit 39" to 60"	\$2,899.00
L-IW-LG ❖	Ironwood Steel, 14 Piece, Log Set. Recommended to use with any Round or Square Firepit 33" to 46"	\$2,459.00
L-IW-MED ❖	Ironwood Steel, 11 Piece, Log Set. Recommended to use with any Round or Square Firepit 29" to 40"	\$1,549.00
L-IW-SM ❖	Ironwood Steel, 7 Piece, Log Set. Recommended to use with any Round or Square Firepit 25" to 34"	\$939.00
L-IW-TWIG1214 ❖	Steel, 5 Piece, Twig Set. Recommended to use with 24"-36" H and T Burner Systems	\$779.00
L-IW-TWIG810 ❖	Steel, 5 Piece, Twig Set. Recommended to use with 24" H and T Burner Systems	\$569.00



L-IW-LG



L-SF



L-BR-6084



L-DW-6084

Refractory Concrete Log and Twig Sets

L-SEDONA	Sedona 19 pc. Log Set, Stacks up to 32" High. Min. of 25" Diameter.	\$1,089.00
L-SF	Spit Fire 17 pc. Log Set. Min. of 19" Diameter.	\$439.00
L-BR-6084 ❖	Birch, 6 pc., Log Set. Recommended to use with 25" Round Pan, 26" Disc or 60"-84" H and T Burner Systems	\$249.00
L-BR-3048 ❖	Birch, 5 pc., Log Set. Recommended to use with 16"-19" Round Pans or 24"-48" H and T Burner Systems	\$219.00
L-DW-6084	Driftwood, 6 pc., Log Set. Recommended to use with 25" Round Pan, 26" Disc or 60"-84" H and T Burner Systems	\$319.00
L-DW-3048 ❖	Driftwood, 5 pc., Log Set. Recommended to use with 16"-19" Round Pan or 24"-48" H and T Burner Systems	\$249.00
L-NO-6084 ❖	New Oak, 6 pc., Log Set. Recommended to use with 25" Round Pan, 26" Disc or 60"-84" H and T Burner Systems	\$319.00
L-NO-3048 ❖	New Oak, 5 pc., Log Set. Recommended to use with 16"-19" Round Pans or 24"-48" H and T Burner Systems	\$239.00

Pricing, model numbers and availability are subject to change without notice.



HOW MUCH MEDIA SHOULD I USE?

Kalea Bay		Sanctuary 1 (All Models)			Sanctuary 2 & 3			
Model	Glass Only	Glass Only	Lava Rock	Lava Stones	Model	Glass Only	Lava Rock as a base	Lava Stones on top of Lava Rock
36" Kalea Bay	15 lbs	30 lbs	20 lbs	35 lbs	Sanct 2	120 lbs	30 lbs	30 lbs
48" Kalea Bay	20 lbs				Sanct 3	70 lbs	15 lbs	20 lbs
60" Kalea Bay	25 lbs							
72" Kalea Bay	25 lbs							

Round Fire Pits						
Inside Diameter	Lava Rock Only	Lava Rock as Base	Glass on top of Lava Rock	Lava Stones on top of Lava Rock	Glass Only	
16"	10 lbs	5 lbs	10 lbs	10 lbs	30 lbs	
19"	10 lbs	10 lbs	20 lbs	15 lbs	40 lbs	
25"	15 lbs	15 lbs	30 lbs	20 lbs	70 lbs	
29"	20 lbs	20 lbs	40 lbs	25 lbs	90 lbs	
33"	25 lbs	25 lbs	50 lbs	30 lbs	110 lbs	
34"	30 lbs	25 lbs	60 lbs	30 lbs	120 lbs	
44"	45 lbs	35 lbs	70 lbs	50 lbs	200 lbs	

Square Fire Pits						
Inside Diameter	Lava Rock Only	Lava Rock as Base	Glass on top of Lava Rock	Lava Stones on top of Lava Rock	Lava Boulders on top of Lava Rock	Glass Only
20"	10 lbs	10 lbs	20 lbs	15 lbs	1/2 Box	50 lbs
26"	15 lbs	15 lbs	30 lbs	20 lbs	3/4 box	90 lbs
32"	25 lbs	25 lbs	50 lbs	30 lbs	1 box	130 lbs
38"	30 lbs	30 lbs	60 lbs	35 lbs	1 1/4 boxes	190 lbs

H Drop-In			
Model	Lava Rock Only	Glass Only	Lava Stones Only
LOF-2412H	20 lbs	40 lbs	20 lbs
LOF-3012H	20 lbs	50 lbs	20 lbs
LOF-3614H	30 lbs	70 lbs	30 lbs
LOF-4814H	40 lbs	90 lbs	40 lbs
LOF-6016H	50 lbs	130 lbs	50 lbs
LOF-7216H	60 lbs	150 lbs	60 lbs
LOF-8416H	70 lbs	180 lbs	70 lbs
LOF-9616H	80 lbs	200 lbs	80 lbs

H Flat			
Model	Lava Rock Only	Glass Only	Lava Stones Only
LOF-2414FH	20 lbs	50 lbs	20 lbs
LOF-3014FH	20 lbs	60 lbs	20 lbs
LOF-3614FH	30 lbs	70 lbs	30 lbs
LOF-4814FH	40 lbs	90 lbs	40 lbs
LOF-6016FH	50 lbs	130 lbs	50 lbs
LOF-7216FH	60 lbs	150 lbs	60 lbs
LOF-8416FH	70 lbs	180 lbs	70 lbs
LOF-9616FH	80 lbs	200 lbs	80 lbs

T Drop-In			
Model	Lava Rock Only	Glass Only	Lava Stones Only
LOF-2406T	10 lbs	20 lbs	10 lbs
LOF-3006T	10 lbs	30 lbs	10 lbs
LOF-3606T	10 lbs	30 lbs	10 lbs
LOF-4806T	20 lbs	40 lbs	20 lbs
LOF-6006T	20 lbs	50 lbs	20 lbs
LOF-7206T	20 lbs	60 lbs	20 lbs
LOF-8406T	30 lbs	70 lbs	30 lbs
LOF-9606T	30 lbs	80 lbs	30 lbs

T Flat			
Model	Lava Rock Only	Glass Only	Lava Stones Only
LOF-2408FT	10 lbs	30 lbs	10 lbs
LOF-3008FT	20 lbs	30 lbs	20 lbs
LOF-3608FT	20 lbs	40 lbs	20 lbs
LOF-4808FT	20 lbs	50 lbs	20 lbs
LOF-6008FT	30 lbs	60 lbs	30 lbs
LOF-7208FT	30 lbs	80 lbs	30 lbs
LOF-8408FT	40 lbs	90 lbs	40 lbs
LOF-9608FT	40 lbs	100 lbs	40 lbs

Pricing, model numbers and availability are subject to change without notice.

❖ - Non-Stock, Special Order - NO RETURNS or CANCELLATIONS

ESTOP Timers, Controls and Accessories

- No Power Required
- Innovative Multi-Port Design Provides Installation Flexibility
- NG or LP - NO Conversion Necessary
- High Btu Capacity
- 1/2" NPT Inlets and Outlets (side and back)

Model No. **Description** **List Price**

ESTOP Timers

ESTOP1-0H	1 Hour Countdown Mechanical Timer with Manual Emergency Shut-off	\$199.00
ESTOP-CP-KIT	Control Panel designed for ESTOP1-0H and ESTOP2-5H Timers	\$139.00
ESTOP-LC-KIT	Locking Cabinet for ESTOP1-0H and ESTOP2-5H Timers (Removable Lock)	\$229.00
ESTOP-RM-KIT	Surface Mount Enclosure for ESTOP1-0H and ESTOP2-5H Timers	\$89.00



ESTOP1-0H



ESTOP-RM-KIT

Controls and Accessories

MSI-BSMTI	Manual Spark Ignition Kit for FPB "MT" Systems Featuring the Burning Spur	\$229.00
FG-WS-OD ❖	Wired Wall Switch - Housed in Weatherproof J-Box with Weatherproof Cover	\$199.00
RCAF-3TX ❖	On/Off/Hi/Lo Transmitter	\$119.00
FG-EMER-STOP	Electronic Emergency Stop for 120VAC or 30DVC Appliances. Housed in Weatherproof J-Box and Cover.	\$409.00
FG-TIMER-2HR ❖	Two (2) Hour Mechanical Timer, requires 110V	\$459.00



MSI-BSMTI



FG-EMER-STOP

Key Valve and Key / Vent Kit

KEY-PC-12	12" Chrome Key Only	\$19.00
KV-PC-12	High Capacity Straight Key Valve with Chrome Cover and 12" Key, 350,000 btu @ 1/2 PSI	\$89.00
VENT-KIT6X12SS	2-6" H x 12" W Vent Kit with Mounting Screws. Each Vent Provides 18 sq. in. of Ventilation.	\$69.00

Hoses and Regulators

FG-12QDK ❖	Quick Disconnect Kit for use with LP or NG - 12' (144"), 3/8 I.D.	\$99.00
FG-60LPHRK ❖	60" LP Hose and Regulator Kit. Rated at 130,000 btu @ 10" W.C.	\$89.00
FG-32LPHRK ❖	32" LP Hose and Regulator Kit. Rated at 85,375 btu @ 10" W.C.	\$49.00
FG-LPQDK ❖	LP Quick Disconnect Kit - Includes 12', 1/2" OD, 3/8" OD, Gray PVC Hose with Quick Disconnect Fitting	\$199.00
FG-LPRK ❖	100K Btu Propane Regulator, 3/8" MPT Adapter and Acme Quick Connect	\$79.00



VENT-KIT-6X12SS

Pricing, model numbers and availability are subject to change without notice.





OUTDOOR LINEAR GAS FIREPLACE

Kalea Bay

Make a modern statement with the all-new Kalea Bay LED & Non-LED outdoor linear gas fireplace. Designed with a clean and contemporary style in mind. No chimney or venting required makes it an ideal product for quick & efficient framing & finishing.

FEATURES

- LED Models: Full spectrum lighting - Requires 120VAC power. 
- Non-LED Models: Battery-operated Ignition. 
- Four Sizes 36" / 48" / 60" / 72" (all 16" tall opening).
- Burner & firebox constructed of weather/corrosion resistant 304 stainless steel.
- Ecoflow Electronic Ignition System features built-in safety shutoff in case of loss of flame and auto-relight.
- Control Center with each model housed in 304 Stainless Steel Cabinet.
- Ships as Natural Gas (NG) or Liquid Propane (LP). Field Convertible to Liquid Propane (LP). Conversion Kits sold separately.
- Tested & Approved to: ANSI Z21.97-2014/CSA 2.41-2014 standards.



LED Models

Sizes: 36"/48"/60"/72"



Controls:
On / Off, Low / High, Continuous Pilot, Learn & LED On/ Off

Use the RGB dials to get your desired color, there are over 16 million to choose from!



NON-LED Models

Sizes: 48"/60"



Controls:
On / Off, Low / High, Continuous Pilot, & Learn.

Easy access to the battery tray makes maintenance for the Kalea Bay a breeze.

C Batteries (4)



Kalea Bay - Outdoor Linear Gas Fireplace

- Full Spectrum Lighting
- 16" Tall Opening
- Control Center Housed in 304 Stainless Steel Cabinet
- Requires 120VAC Power
- Ecoflow Electric Ignition System
- Includes 2-12" x 6" Vents and Glass Deflector Shield

Model No.	Description	List Price
-----------	-------------	------------

72" Kalea Bay Fireplace

OFP-72LECO-NLED	72" Kalea Bay Fireplace NG with LED Lights, 65,000 Btu	\$6,599.00
OFP-72COV	72" SS Weather Cover	\$889.00
78008 ❖	72" See-Through Kit (fits 2020 and newer models)	\$729.00
OFP-72LECO-LPK	72" NG to LP Conversion Kit	\$89.00

Framing Dimensions: 75 1/2"W x 37 3/4"H x 15 3/4"D, for See Through Reduce the Depth by 3/4"



Kalea Bay

60" Kalea Bay Fireplace

OFP-60LECO-NLED	60" Kalea Bay Fireplace NG with LED Lights, 50,000 Btu	\$5,799.00
OFP-60COV	60" SS Weather Cover	\$749.00
78006 ❖	60" See-Through Kit (fits 2020 and newer models)	\$639.00
OFP-60LECO-LPK	60" NG to LP Conversion Kit	\$89.00

Framing Dimensions: 64 1/2"W x 37 3/4"H x 15 3/4"D, for See Through Reduce the Depth by 3/4"

48" Kalea Bay Fireplace

OFP-48LECO-NLED	48" Kalea Bay Fireplace NG with LED Lights, 43,500 Btu	\$4,999.00
OFP-48COV	48" SS Weather Cover	\$579.00
78004 ❖	48" See-Through Kit (fits 2020 and newer models)	\$559.00
OFP-48LECO-LPK	48" NG to LP Conversion Kit	\$89.00

Framing Dimensions: 52 1/2"W x 37 3/4"H x 15 3/4"D, for See Through Reduce the Depth by 3/4"

36" Kalea Bay Fireplace

OFP-36LECO-NLED ❖	36" Kalea Bay Fireplace NG with LED Lights, 31,500 Btu	\$4,299.00
OFP-36COV ❖	36" SS Weather Cover	\$439.00
78002 ❖	36" See-Through Kit (fits 2020 and newer models)	\$429.00
OFP-36LECO-LPK ❖	36" NG to LP Conversion Kit	\$89.00

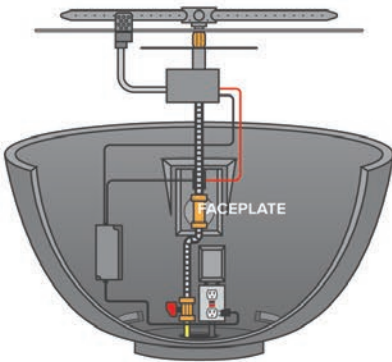
Framing Dimensions: 40 1/2"W x 37 3/4"H x 15 3/4"D, for See Through Reduce the Depth by 3/4"

Note: The Kalea Bay requires Firegear GL, GLR or Lava Rock to be installed into the burner trough. Covering the entire burner area is required. See page 101 for Media Options.



AWS Systems

ALL WEATHER
ELECTRONIC SYSTEM



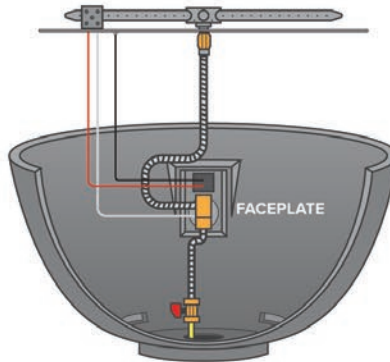
Our top of the line fully electronic ignition system. Ships with a GEO-30VDC power supply and an on/off toggle switch.



AWS FACEPLATE

TPSI Systems

THERMOCOUPLE PILOTED
SAFETY IGNITION



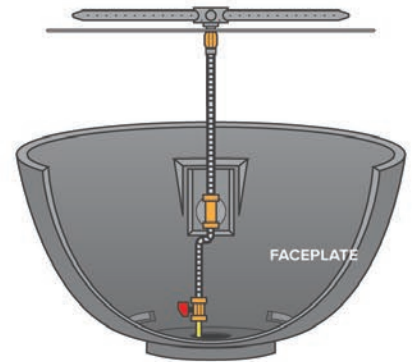
A thermocouple piloted system with safety valve that turns the gas off when there is a loss of flame. Easy ignition with manual spark igniter (included).



TPSI FACEPLATE

MT Systems

MATCH
THROW



Easy lighting with a butane lighter or match. Variable flame height adjustment using a key valve.



MT FACEPLATE

Weather Cover



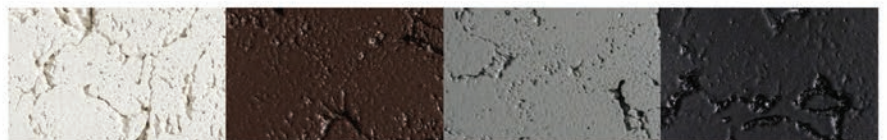
Protect your fire feature with our heavy-duty PVC covers, 100 percent water-resistant, UV-Protected to prevent fading, custom fitted, and feature soft flannel backing (to keep your fire feature scratch free).

Propane Tank Holder



Holds one (1) 20 lb. tank. Easy to remove top. Weight: 159 lb. Dimensions: 20" W x 21 1/2" H

Sanctuary Colors



Arctic

Chocolate

Slate

Raven

Sanctuary Series 1

- TPSI (Thermocouple Manual Safety with Battery Spark Ignition)
- High Strength, Glass Fiber Reinforced Concrete
- 56"L x 38"W x 16"H
- Approved with Fireglass (27 lbs) or Lava Rock (17 lbs) or Lava Stones (34 lbs)
- Includes Weather Cover

Model No.	Description	List Price
SAN1-30LHTPSI-SL ❖	Fire Bowl, Includes LOF-3313FHTPSI-N-SAN, 65,000 Btu, NG - Slate (Gray)	\$3,919.00
SAN1-30LHTPSI-AR ❖	Fire Bowl, Includes LOF-3313FHTPSI-N-SAN, 65,000 Btu, NG - Artic (White)	\$3,919.00
SAN1-30LHTPSI-CR ❖	Fire Bowl, Includes LOF-3313FHTPSI-N-SAN, 65,000 Btu, NG - Cream	\$3,919.00
SAN1-30LHTPSI-CH ❖	Fire Bowl, Includes LOF-3313FHTPSI-N-SAN, 65,000 Btu, NG - Chocolate (Dark Brown)	\$3,919.00
SAN1-30LHTPSI-RA ❖	Fire Bowl, Includes LOF-3313FHTPSI-N-SAN, 65,000 Btu, NG - Raven (Black)	\$3,919.00



Sanctuary Series 1

Note: Available in AWS (Fully Electronic Ignition)

Sanctuary Series 2

- TPSI (Thermocouple Manual Safety with Battery Spark Ignition)
- High Strength, Glass Fiber Reinforced Concrete
- Includes Weather Cover
- Approved with Lava Rock Only, Requires 57 lbs)
- 39" Diameter x 18"H

SAN2-34DBSTPSI-SL ❖	Fire Bowl, Includes FPB-34DBSTPSI-N-SAN, 65,000 Btu, NG - Slate (Gray)	\$3,099.00
SAN2-34DBSTPSI-AR ❖	Fire Bowl, Includes FPB-34DBSTPSI-N-SAN, 65,000 Btu, NG - Artic (White)	\$3,099.00
SAN2-34DBSTPSI-CR ❖	Fire Bowl, Includes FPB-34DBSTPSI-N-SAN, 65,000 Btu, NG - Cream	\$3,099.00
SAN2-34DBSTPSI-CH ❖	Fire Bowl, Includes FPB-34DBSTPSI-N-SAN, 65,000 Btu, NG - Chocolate (Dark Brown)	\$3,099.00
SAN2-34DBSTPSI-RA ❖	Fire Bowl, Includes FPB-34DBSTPSI-N-SAN, 65,000 Btu, NG - Raven (Black)	\$3,099.00



Sanctuary Series 2

Note: Available in MT (Match Throw Ignition) and AWS (Fully Electronic Ignition)

Sanctuary Series 3

- TPSI (Thermocouple Manual Safety with Battery Spark Ignition)
- High Strength, Glass Fiber Reinforced Concrete
- Includes Weather Cover
- Approved with Lava Rock Only, Requires 24 lbs)
- 29" Diameter x 14"H

SAN3-26DBSTPSI-SL ❖	Fire Bowl, Includes FPB-26DBSTPSI-N-SAN, 65,000 Btu, NG - Slate (Gray)	\$2,459.00
SAN3-26DBSTPSI-AR ❖	Fire Bowl, Includes FPB-26DBSTPSI-N-SAN, 65,000 Btu, NG - Artic (White)	\$2,459.00
SAN3-26DBSTPSI-CR ❖	Fire Bowl, Includes FPB-26DBSTPSI-N-SAN, 65,000 Btu, NG - Cream	\$2,459.00
SAN3-26DBSTPSI-CH ❖	Fire Bowl, Includes FPB-26DBSTPSI-N-SAN, 65,000 Btu, NG - Chocolate (Dark Brown)	\$2,459.00
SAN3-26DBSTPSI-RA ❖	Fire Bowl, Includes FPB-26DBSTPSI-N-SAN, 65,000 Btu, NG - Raven (Black)	\$2,459.00



Sanctuary Series 3

Note: Available in MT (Match Throw Ignition) and (AWS) Fully Electronic Ignition

Pricing, model numbers and availability are subject to change without notice.

Sanctuary Accessories

Model No. Description List Price

Tank Enclosures

SANCTUARY-LPTE-SL ❖	LP Tank Enclosure (Fits Standard 20lb., 5 Gallon) Tank/Side Table - Slate (Gray)	\$999.00
SANCTUARY-LPTE-AR ❖	LP Tank Enclosure (Fits Standard 20lb., 5 Gallon) Tank/Side Table - Artic (White)	\$999.00
SANCTUARY-LPTE-CH ❖	LP Tank Enclosure (Fits Standard 20lb., 5 Gallon) Tank/Side Table - Chocolate (Dark Brown)	\$999.00
SANCTUARY-LPTE-RA ❖	LP Tank Enclosure (Fits Standard 20lb., 5 Gallon) Tank/Side Table - Raven (Black)	\$999.00



Covers, Conversion Kits and Lava Rock

COVER-SAN1 ❖	Deluxe Weather Cover for Sanctuary 1	\$149.00
COVER-SAN2 ❖	Deluxe Weather Cover for Sanctuary 2	\$99.00
COVER-SAN3 ❖	Deluxe Weather Cover for Sanctuary 3	\$79.00
OAS-LPK41	NG to LP Conversion Kit for 75,000 Btu	\$69.00
FG-LAVA-40	40lb Bag of 1" to 2" Black Lava Rock	\$89.00
FG-LAVA-10	10lb Bag of 1" to 2" Black Lava Rock	\$29.00

Note: See glass media options on page 101.

Pricing, model numbers and availability are subject to change without notice.

❖ - Non-Stock, Special Order - NO RETURNS or CANCELLATIONS



Common Replacement Parts

Model No.	Description	List Price
3042-RB	Manual Spark Ignitor Module with Red Button	\$49.00
FG-1420-AOD ❖	1420A Remote W/110 RX/JBox/Cover	\$399.00
FG-GASVALVE-1 ❖	Gas Valve (non-piloted) for LOF TMSI system, Product Built in 2017-2020	\$69.00
FG-GASVALVE-2 ❖	Gas Valve (piloted) Fits:LOF-48LHTMSI-N, LOF-48LTTMSI-N, LOF-60LTTMSI-N	\$109.00
FG-IGNIT-ASSY-PI ❖	Ignition Assembly for Piloted TMSI Line Of Fire Systems, Product Built in 2017-2020	\$29.00
FG-SPARK-IGN ❖	Spark Igniter Assembly, Product Built in 2017-2020	\$59.00
FG-THERMOCOUPLE ❖	Thermocouple for non-piloted TMSI Line Of Fire system, Product Built in 2017-2020	\$39.00
GWS-BRACKET-S	Corner Windshield Brackets, Set of 8 (used on GWS-2424, GWS-3030, GWS-3838, GWS-4242, GWS-3410, GWS-3810, GWS-4410, GWS-6010, GWS-8410)	\$149.00
GWS-STRAIGHTBRACKET	Center Connector Bracket, Set of 4 (used on GWS-6810, 8410)	\$89.00
ST3-040-1023	Thermocouple - for TFS Systems	\$18.59
ST3-040-1025	Copreci Thermocouple for TMS/TMSI Systems	\$18.59
ST3-080-1009 ❖	Copreci Manual Gas Valve - TMSI ignition	\$99.00
TFS-IGN-ASSEMBLY ❖	Ignitor Assembly - For use in TFS systems	\$119.00
TMSI-TC-ASSEMBLY ❖	Copreci Thermocouple with Ignition Head	\$99.00
VCS-5000DSI2P01	Ignitor Probe for TFS/TMSI	\$32.34
VCS-5000DSIB01	Thermocouple Bracket	\$14.06
VCS-5000MODTC	Ignition Module - for TFS Systems	\$129.00
AF-4000BP12	Battery Pack with 12' Wire	\$139.00
AF-4025DISLSS0 ❖	IPI Gas Valve with Solenoid	\$369.00

Pricing, model numbers and availability are subject to change without notice.