

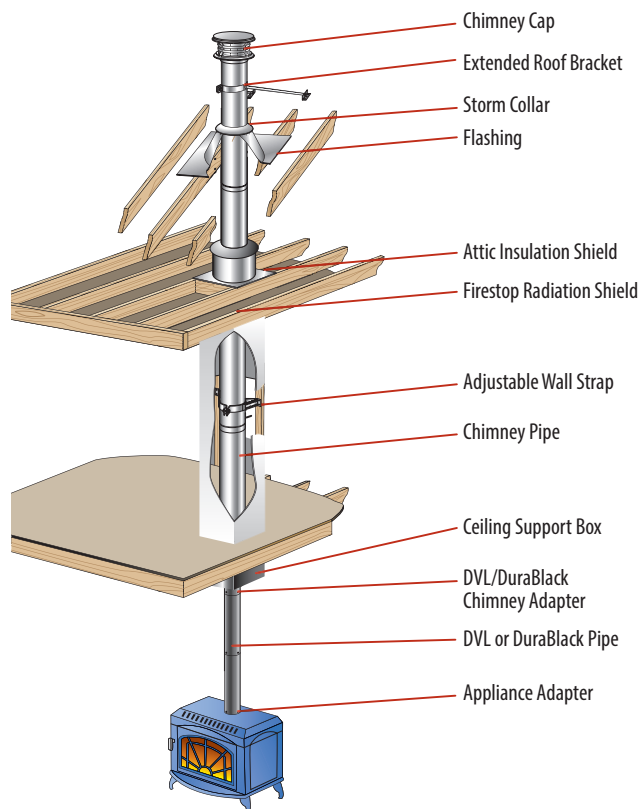
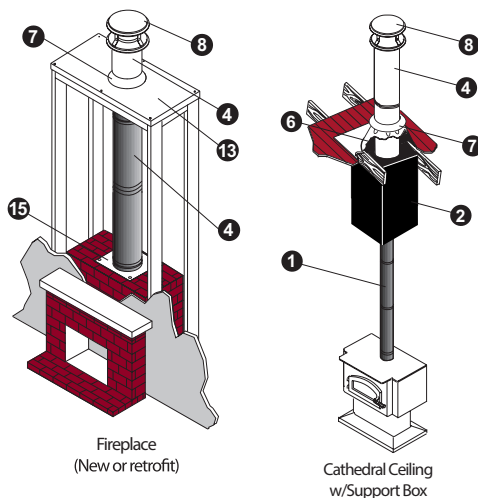
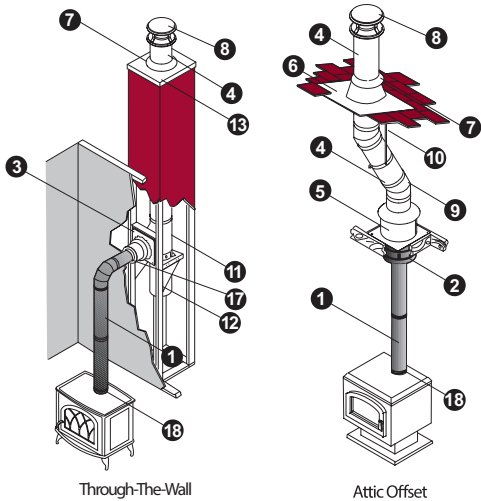
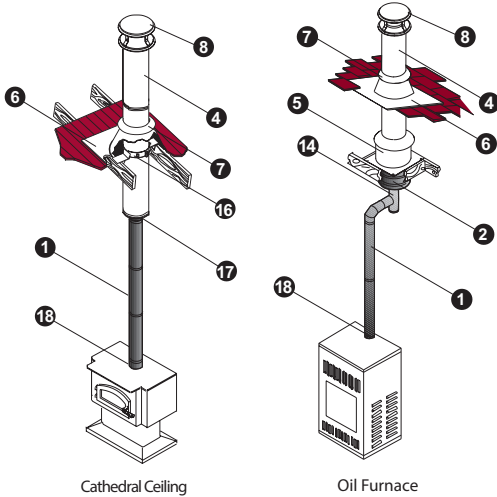
DuraTech

DuraTech is a double-wall, all-fuel chimney system for use w/ wood stoves, fireplaces, furnaces, boilers, ranges, water heaters, or other appliances fueled by wood, oil, coal, or gas, and zero-clearanced fireplaces that are factory built.

Available in 5" – 8" diameter

Installation Key

1	DVL or DuraBlack	10	Elbow Strap
2	Ceiling Support	11	Tee w/ Tee Cap
3	Wall Thimble	12	Tee Support
4	Chimney Pipe	13	Chase Top Flashing
5	Attic Insulation Shield	14	Base Tee/Double Tee
6	Flashing	15	Anchor Plate or Anchor Plate w/ Damper
7	Storm Collar	16	Roof Support
8	Chimney Cap	17	Finishing Collar
9	Elbow	18	DVL Adapter (w/ or w/o damper)

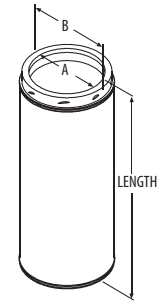


SOME BRANDS ARE ONLY AVAILABLE IN SELECTED AREAS, CONTACT YOUR REGIONAL SALES MANAGER FOR MORE INFO.
Pricing, model numbers and availability are subject to change without notice. Call for most current information.

Venting Components – DuraTech

Chimney Pipe

A	6"	List Price	7"	List Price	8"	List Price
B	8"		9"		10"	
LENGTH						
6" GA	6DT-06	\$107.86	7DT-06 ❖	\$208.88	8DT-06	\$123.94
6" SS	6DT-06SS	\$140.05	7DT-06SS ❖	\$299.83	8DT-06SS	\$227.03
9" GA	6DT-09	\$133.63	7DT-09 ❖	\$288.30	8DT-09	\$156.14
12" GA	6DT-12	\$157.79	7DT-12 ❖	\$183.51	8DT-12	\$188.36
12" SS	6DT-12SS	\$159.39	7DT-12SS ❖	\$233.45	8DT-12SS	\$284.95
18" GA	6DT-18	\$199.63	7DT-18 ❖	\$317.13	8DT-18	\$236.64
18" SS	6DT-18SS	\$217.36	7DT-18SS ❖	\$264.04	8DT-18SS	\$310.70
24" GA	6DT-24	\$252.80	7DT-24CF ❖	\$313.54	8DT-24	\$305.88
24" SS	6DT-24SS	\$289.80	7DT-24SSCF ❖	\$341.10	8DT-24SS	\$368.68
36" GA	6DT-36	\$331.66	7DT-36CF ❖	\$439.31	8DT-36	\$439.54
36" SS	6DT-36SS	\$354.85	7DT-36SSCF ❖	\$532.35	8DT-36SS	\$582.84
48" GA	6DT-48CF	\$439.31	7DT-48CF ❖	\$504.80	8DT-48CF	\$540.93
48" SS	6DT-48SSCF	\$532.35	7DT-48SSCF ❖	\$604.69	8DT-48SSCF	\$709.78
60" GA	6DT-60CF	\$514.29	7DT-60CF ❖	\$536.36	8DT-60CF ❖	\$574.62
60" SS	6DT-60SSCF	\$631.86	7DT-60SSCF ❖	\$667.00	8DT-60SSCF	\$742.73



NOTE: PART NUMBERS ENDING IN CF HAVE ADDITIONAL PROTECTIVE CARTON FILLER FOR SHIPPING.

SOME BRANDS ARE ONLY AVAILABLE IN SELECTED AREAS, CONTACT YOUR REGIONAL SALES MANAGER FOR MORE INFO.

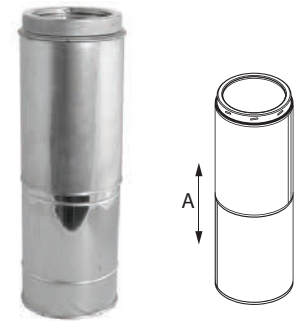
Pricing, model numbers and availability are subject to change without notice. Call for most current information.

Venting Components – DuraTech

Adjustable Pipe

Use to add length to DuraTech Chimney. Adjusts from 14"-22".

SIZE	6"	List Price	8"	List Price
A	14"-21"		14"-21"	
STOCK #	6DT-21TASS	\$478.71	8DT-21TASS	\$538.55



Elbow Kit

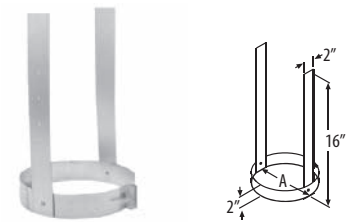
30°	6"	List Price	7"	List Price	8"	List Price
GA STOCK #	6DT-E30K	\$740.78	7DT-E30K ❖	\$835.39	8DT-E30K	\$895.40
SS STOCK #	6DT-E30KSS	\$1,019.34	7DT-E30KSS ❖	\$1,145.13	8DT-E30KSS	\$1,228.65



Adjustable Elbow Strap

Use to prevent excessive weight on the elbows by supporting the weight of the chimney. Required to be installed between two elbows in offset application.

SIZE	6"	List Price
A	8", 10"	
STOCK #	6DT-AES*	\$93.55

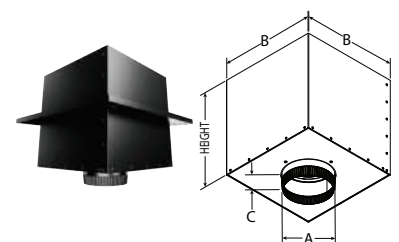


Square Ceiling Support Box



Supports chimney pipe and provides a positive connection between support box and chimney.

SIZE	6"	7"	8"	CEILING PITCH		
				DURABLACK	DVL	USE
A	6"	7"	8"	0/12 – 4/12	0/12 – 6/12	11" Support Box
B	12"	13"	14 1/2"	5/12 – 9/12	7/12 – 13/12	24" Support Box
C	1 3/4"	1 3/4"	1 3/4"	10/12 – 14/12	14/12 – 20/12	36" Support Box



HEIGHT	6"	List Price	7"	List Price	8"	List Price
11"	6DT-CS11-2	\$320.39	7DT-CS11-2 ❖	\$465.77	8DT-CS11-2 ❖	\$350.97
24"	6DT-CS24-2	\$355.86	7DT-CS24-2 ❖	\$523.94	8DT-CS24-2	\$391.23
36"	6DT-CS36-2	\$392.86	7DT-CS36-2 ❖	\$697.96	8DT-CS36-2 ❖	\$434.72

SOME BRANDS ARE ONLY AVAILABLE IN SELECTED AREAS, CONTACT YOUR REGIONAL SALES MANAGER FOR MORE INFO.

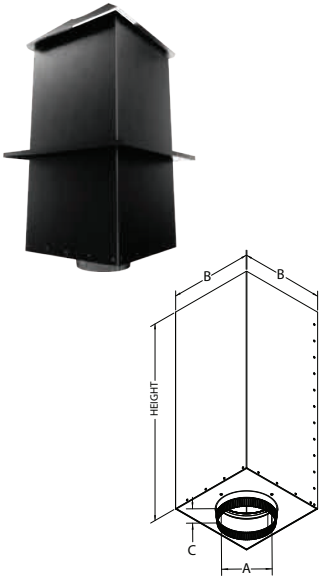
Pricing, model numbers and availability are subject to change without notice. Call for most current information.

Venting Components – DuraTech

Square Ceiling Support Box w/ Collar new

Use with flat, vaulted, or cathedral ceilings where there is an attic space above. Supports up to 60' of DuraTech Chimney. The additional insulation collar now enables the support box to be qualified as an Attic Insulation Shield.

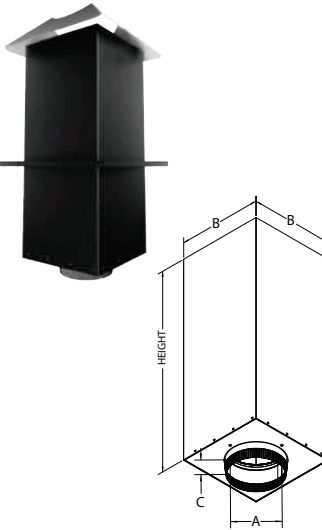
SIZE	6"	List Price
A	6"	
B	12"	
C	1 3/4"	
HEIGHT		
24"	6DT-CS24IS-2	\$398.61
36"	6DT-CS36IS-2	\$435.69



Square Ceiling Support Box w/ Insulation Shield Collar & Insulation new

Use with flat, vaulted, or cathedral ceilings where there is an attic space above. Supports up to 60' of DuraTech Chimney. Functions as an Attic Insulation Shield when installed with square-to-round Insulation Shield Collar. 2" wide trim collar included.

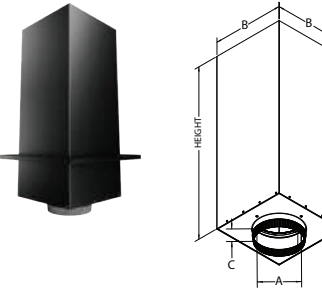
SIZE	6"	List Price
A	6"	
B	12"	
C	1 3/4"	
HEIGHT		
24"	6DT-CS24RIS-2	\$380.07



Reduced Clearance Square Ceiling Support Box new

Supports chimney pipe and provides a positive connection between support box and chimney with a built-in-twist lock. Suitable for both flat and cathedral ceiling applications. A 2" wide trim collar is included.

SIZE	6"	List Price
A	6"	
B	10"	
C	1 3/4"	
HEIGHT		
24"	6DT-CS24R-2	\$334.75



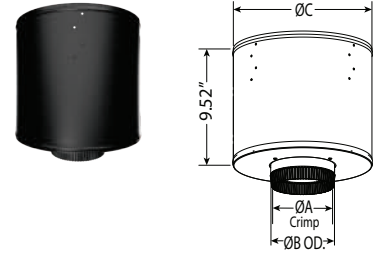
SOME BRANDS ARE ONLY AVAILABLE IN SELECTED AREAS, CONTACT YOUR REGIONAL SALES MANAGER FOR MORE INFO.

Pricing, model numbers and availability are subject to change without notice. Call for most current information.

Round Ceiling Support Box



SIZE	6"	List Price	7"	List Price	8"	List Price
A	5 7/8"		6 7/8"		7 7/8"	
B	6"		7"		8"	
C	12"		13"		14"	
STOCK #	6DT-RCS-2	\$167.91	7DT-RCS-2 ❖	\$200.85	8DT-RCS-2 ❖	\$269.84



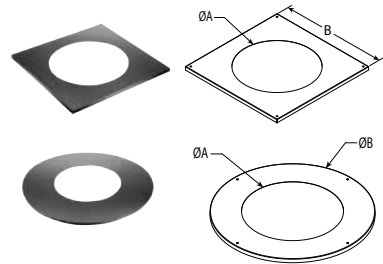
Trim Collar for Round Support Box



Conceals the gap between the round support box and the ceiling cutout.

SQUARE TRIM COLLAR

SIZE	6"	List Price	8"	List Price
A	12 1/8"		14 1/8"	
B	17"		19"	
STOCK #	6DT-TC-2	\$99.91	8DT-TC-2	\$98.21



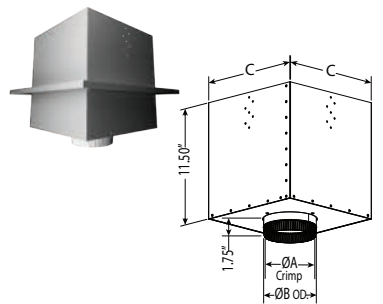
ROUND TRIM COLLAR

SIZE	6"	List Price	8"	List Price
A	12 1/8"		14 1/8"	
B	18"		21"	
STOCK #	6DT-TCR-2	\$89.92	8DT-TCR-2	\$104.61

Flat Ceiling Support Box



SIZE	6"	List Price	7"	List Price	8"	List Price
A	5 7/8"		6 7/8"		7 7/8"	
B	6"		7"		8"	
C	12"		13"		14 1/4"	
STOCK #	6DT-FCS-2	\$217.36	7DT-FCS-2 ❖	\$221.45	8DT-FCS-2 ❖	\$225.38



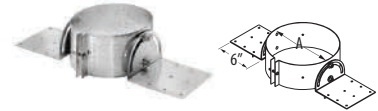
SOME BRANDS ARE ONLY AVAILABLE IN SELECTED AREAS, CONTACT YOUR REGIONAL SALES MANAGER FOR MORE INFO.

Pricing, model numbers and availability are subject to change without notice. Call for most current information.

Venting Components – DuraTech

Adjustable Roof Support

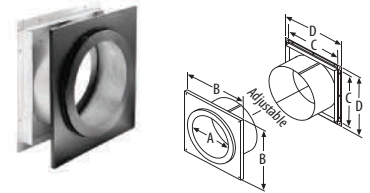
Designed to support the DuraTech chimney and allows the chimney to pass through the roof and extend down from the ceiling.



SIZE	5" & 7"	List Price	6" & 8"	List Price
A	7", 9"		8", 10"	
STOCK #	5DT-ARS	\$155.92	6DT-ARS	\$155.91

Wall Thimble

Adjusts from a minimum of 5 1/2" to a maximum of 9 1/2" wall thickness, and fits between standard wall studs.



SIZE	6"		7"		8"	
A	8 1/8"		9 1/8"		10 1/8"	
B	14"		16"		16"	
C	11 7/8"		12 7/8"		13 7/8"	
D	14"		15"		16"	
STOCK #	6DT-WT	\$162.58	7DT-WT ❖	\$329.81	8DT-WT	\$207.64
SS TRIM	6"	List Price	7"	List Price	8"	List Price
STOCK #	6DT-WTSS	\$94.44	--		8DT-WTSS	\$102.31

Finishing Collar w/ Adapter

New integrated collar w/ Adapter, fits into the female end of the chimney pipe to provide a decorative black finish.



SIZE	6"	List Price	8"	List Price
STOCK #	6DT-FC	\$98.59	8DT-FC	\$114.06

Trim Collar for Roof Support

SIZE	6"	List Price	8"	List Price
STOCK #	6DT-RSTC3 ❖	\$127.14	8DT-RSTC3 ❖	\$130.39
STOCK #	6DT-RSTC6 ❖	\$127.14	8DT-RSTC6 ❖	\$130.39
STOCK #	6DT-RSTC9 ❖	\$127.14	8DT-RSTC9 ❖	\$130.39
STOCK #	6DT-RSTC12 ❖	\$127.14	8DT-RSTC12 ❖	\$130.39



SOME BRANDS ARE ONLY AVAILABLE IN SELECTED AREAS, CONTACT YOUR REGIONAL SALES MANAGER FOR MORE INFO.

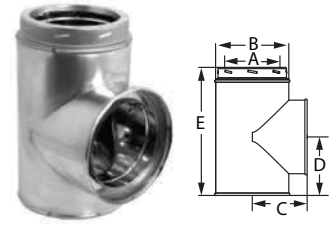
Pricing, model numbers and availability are subject to change without notice. Call for most current information.

Venting Components – DuraTech

Tee w/ Cap

Use for through-the-wall installations. Includes removable tee cap for easy chimney cleaning or inspection.

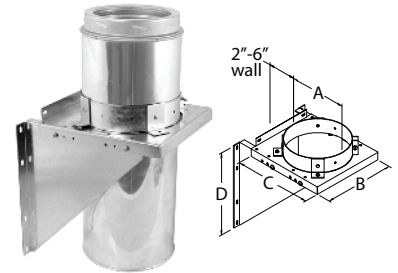
SIZE	6"	List Price	7"	List Price	8"	List Price
A	6"		7"		8"	
B	8"		9"		10"	
C	6 1/8"		6 1/2"		7 1/8"	
D	6 1/2"		7 1/2"		7 3/4"	
E	13 7/8"		14 1/4"		15 1/4"	
GA STOCK #	6DT-ST	\$413.81	7DT-ST ❖	\$539.71	8DT-ST ❖	\$579.66
SS STOCK #	6DT-STSS	\$545.82	7DT-STSS ❖	\$716.48	8DT-STSS ❖	\$809.88



Adjustable Tee Support Bracket

Use as a wall support for chimney system.

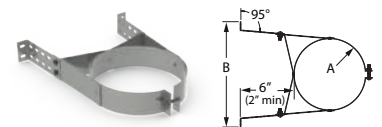
SIZE	6"	List Price	7"	List Price	8"	List Price
A	8"		9"		10"	
B	10"		12"		12"	
C	11"		13"		13"	
D	11 3/4"		13 3/4"		13 3/4"	
GA STOCK #	6DT-TSB	\$206.07	7DT-TSB ❖	\$257.63	8DT-TSB	\$299.46
SS STOCK #	6DT-TSBSS	\$500.74	7DT-TSBSS ❖	\$534.64	8DT-TSBSS ❖	\$589.26



Wall Strap

Use in interior or exterior installations to add lateral support to the chimney.

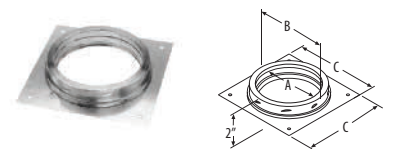
SIZE	6"	List Price	8"	List Price
A	8"		10"	
B	11 3/4"		14"	
GA STOCK #	6DT-WS	\$85.33	8DT-WS	\$111.05
SS STOCK #	6DT-WSSS	\$149.72	8DT-WSSS	\$159.39



Anchor Plate

Use to attach DuraTech chimney to an appliance or masonry fireplace.

SIZE	6"	List Price	7"	List Price	8"	List Price
A	6"		7"		8"	
B	8"		9"		10"	
C	10"		11"		12"	
STOCK #	6DT-AP	\$132.01	7DT-AP ❖	\$165.80	8DT-AP	\$185.14



SOME BRANDS ARE ONLY AVAILABLE IN SELECTED AREAS, CONTACT YOUR REGIONAL SALES MANAGER FOR MORE INFO.

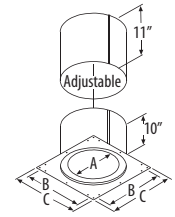
Pricing, model numbers and availability are subject to change without notice. Call for most current information.

Venting Components – DuraTech

Firestop Radiation Shield

Use in ceiling/floor penetrations when a ceiling support is not used.

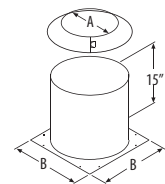
SIZE	6"	List Price	7"	List Price	8"	List Price
A	8 1/8"		9 1/8"		10 1/8"	
B	11 7/8"		12 7/8"		13 7/8"	
C	14"		15"		16"	
STOCK #	6DT-FRS	\$127.14	7DT-FRS ❖	\$197.89	8DT-FRS	\$159.39



Attic Insulation Shield

Required for installations that pass through an attic to prevent insulation and debris from accumulating near the chimney.

SIZE	6"	List Price	7"	List Price	8"	List Price
A	8"		9"		10"	
B	14"		15"		16"	
STOCK #	6DT-IS	\$165.80	7DT-IS ❖	\$209.88	8DT-IS	\$222.16

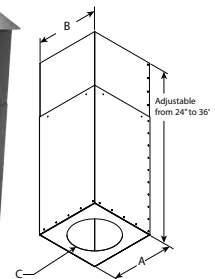


5"-8" Pass Through Radiation Shield



Pass-Through Radiation Shield is used when an insulated chimney passes up through a ceiling.

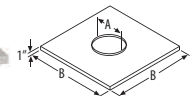
SIZE	6"	List Price	7"	List Price	8"	List Price
A	12"		13"		14.25"	
B	12"		13"		14.25"	
C	8.25"		9.25"		10.25"	
STOCK #	6DT-SRSE	\$262.65	7DT-SRSE ❖	\$283.25	8DT-SRSE	\$293.55



Chase Top Flashing

Encloses the top of the chase while providing a ventilation air passage from the chase.

SIZE	6"	List Price	7"	List Price	8"	List Price
A	11"		12"		13"	
B	19 3/4"		20 3/4"		21 3/4"	
STOCK #	6DT-CTF ❖	\$106.27	7DT-CTF ❖	\$131.92	8DT-CTF ❖	\$117.50



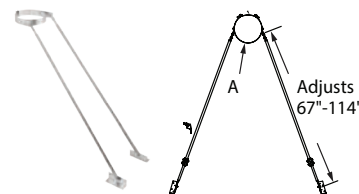
SOME BRANDS ARE ONLY AVAILABLE IN SELECTED AREAS, CONTACT YOUR REGIONAL SALES MANAGER FOR MORE INFO.

Pricing, model numbers and availability are subject to change without notice. Call for most current information.

Adjustable Extended Roof Bracket

Use to support the chimney when it extends more than 5' above the roof.

SIZE	5" & 7"	List Price	6" & 7"	List Price
A	7", 9"		8", 10"	
STOCK #	5DT-XRS ❖	\$224.51	6DT-XRS	\$224.51



Locking Band

Use for extra security at pipe, elbow, and tee joints.

SIZE	6"	List Price	7"	List Price	8"	List Price
A	8"		9"		10"	
STOCK #	6DT-LB	\$20.91	7DT-LB ❖	\$22.53	8DT-LB	\$24.13



DSA Roof Flashings

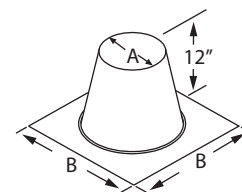
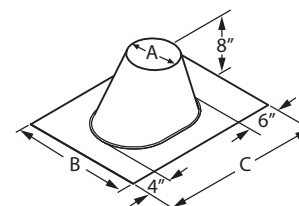
Use w/ metal or tile roofs.

STOCK #	6"	List Price	8"	List Price
0/12 – 6/12	6DT-F6DSA	\$235.21	8DT-F6DSA ❖	\$288.06
7/12 – 12/12	6DT-F12DSA	\$375.31	8DT-F12DSA ❖	\$420.23

Roof Flashing

Use to weather-proof the penetration of chimney pipe through the roof. Storm collar required.

ADJUSTABLE SIZE		6"	List Price	7"	List Price	8"	List Price
0/12 – 6/12	A	8 1/2"		9 1/2"		10 1/2"	
	B	20"		21"		22"	
	C	27 3/16"		28 5/16"		29 1/2"	
	STOCK #	6DT-F6	\$169.00	7DT-F6 ❖	\$193.21	8DT-F6	\$210.86
7/12 – 12/12	A	8 1/2"		9 1/2"		10 1/2"	
	B	20"		21"		22"	
	C	30"		31 5/16"		33 1/4"	
	STOCK #	6DT-F12	\$218.96	7DT-F12 ❖	\$252.80	8DT-F12	\$273.71
FLAT ROOF		6"	List Price	7"	List Price	8"	List Price
	A	8 1/4"		9 1/4"		10 1/4"	
	B	20 11/16"		21 5/8"		21 5/8"	
	STOCK #	6DT-FF	\$227.03	7DT-FF ❖	\$262.42	8DT-FF ❖	\$275.31



SOME BRANDS ARE ONLY AVAILABLE IN SELECTED AREAS, CONTACT YOUR REGIONAL SALES MANAGER FOR MORE INFO.

Pricing, model numbers and availability are subject to change without notice. Call for most current information.

❖ - Non Stock Special Order - NO RETURNS or CANCELLATIONS

RMI Ph: 800-628-5044

raymurray.com

Venting Components – DuraTech

Universal Rubber Boot Flashing Kit



Fits 5", 6", 7", and 8" diameter chimneys. Designed for use where the chimney passes through a corrugated roof. Rubber boot flashing fits roof pitches up to 12/12 (10/12 for 8" diameter).



SIZE	5" – 8"	List Price
STOCK #	URBAK	\$578.66

Storm Collar

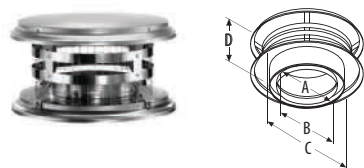
Required w/ DuraTech flashing to create a weather-proof penetration through the roof deck.



SIZE	5"- 6"	List Price	7"- 8"	List Price
A	7"- 8"		9"- 10"	
B	12"- 14"		15"- 16"	
STOCK #	5DT-SC	\$30.55	7DT-SC	\$33.77

Chimney Cap

Required where pipe terminates above the roof line.



SIZE	6"	List Price	7"	List Price	8"	List Price
A	6"		7"		8"	
B	8"		9"		10"	
C	11"		15"		15"	
D	6 1/2"		6 1/2"		6 1/2"	
STOCK #	6DT-VC	\$185.14	7DT-VC ❖	\$252.80	8DT-VC	\$331.66

Spark Arrestor

Use on inside of cap.



SIZE	5" – 8"	List Price
STOCK #	5DT-SA	\$37.10

Firestop

SIZE	6"	List Price	8"	List Price
STOCK #	6DT-FS	\$114.17	8DT-FS	\$139.54

SOME BRANDS ARE ONLY AVAILABLE IN SELECTED AREAS, CONTACT YOUR REGIONAL SALES MANAGER FOR MORE INFO.

Pricing, model numbers and availability are subject to change without notice. Call for most current information.