

MEC

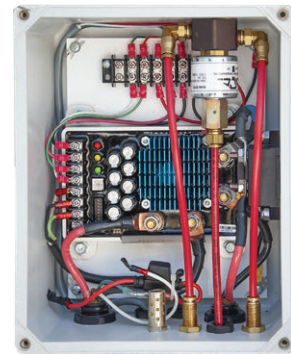
EXCELA-WYND HOSE REEL

The new ME9000 Series Excelsa-Wynd Hose reel provides increased delivery efficiency and safety while reducing down time, comp claim injuries and driver fatigue. Other advantages include:

- 17" w x 25" dia spool
- Holds up to 150' - 1" hose
- Auto-wind hose return system
- Variable Speed Controller - maintains consistent walking speed
- Adjustable speed to suit driver preference or seasonal conditions
- Auto-push feature takes the starting hose pull effort of the driver
- Premium construction & materials for increased service life and minimal downtime
- Gimbal roller assembly significantly reduces pulling effort, even on hard 90° side pulls
- Internal gear drive eliminates chain
- Designed for minimal maintenance & ease of serviceability
- Integrated design makes your truck look great!



ME9000LH-17-25



VSC9000

RMI Part No.	Description
ME9000LH-17/25	Excelsa-Wynd™ Hose Reel with LH Type "D" Excelsa-Flange™ Inlet
VSC9000*	MEC/BASE Engineering Variable Speed Control System
ME9000WSDA	Weather Shield-Diamond Plate Aluminum Bright Polished Finish
ME9000WSSA	Weather Shield - Smooth Aluminum Silver Powder Coat Finish

*Required for installation - free voucher included with Hose Reel purchase



REEL W SMOOTH WEATHER SHIELD



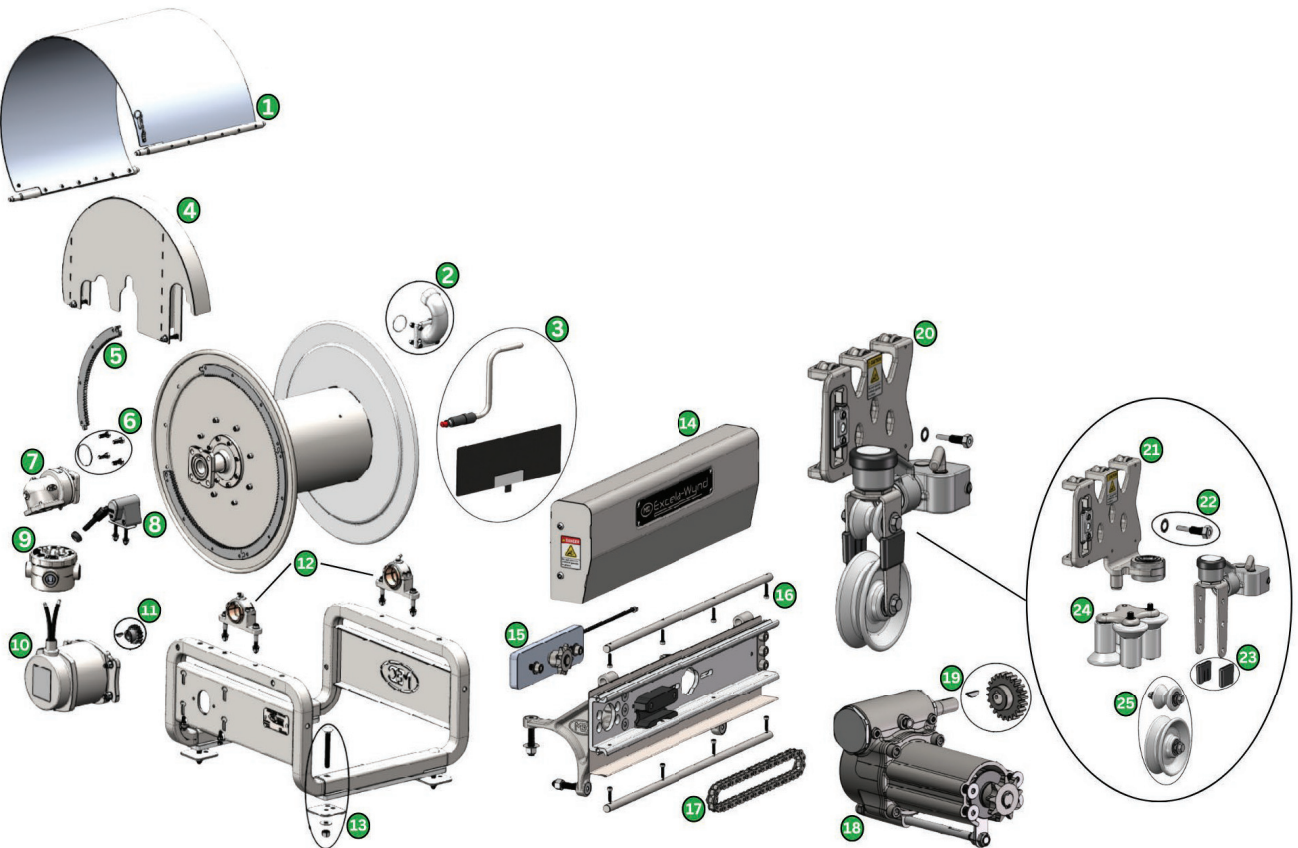
REEL W DIAMOND PLATE WEATHER SHIELD

MEC

ME9000 PARTS BREAKDOWN

Key	Description	RMI Part No.
1	Weather Shield - Plain	ME9000WSSA
1	Weather Shield - Diamond Plate	ME9000WSDA
2	LH Offset Riser Kit w/ Hardware	ME9000107
3	Manual Crank Kit	ME9000965
4	Gear Guard Kit w/ Hardware	ME9000950
5	Gear Segment Kit w/ Hardware (4)	ME9000105
6	Swivel Mounting Kit	ME854SSX-SK
7	Excelsa-Flange Swivel	ME854SSH-4B-4B
8	Sensor Kit w/ Hardware	ME9000945
9	Junction Box Kit	ME9000-JBA
10	Motor Kit w/ Hardware	ME9000500
11	Motor Gear Kit	ME9000007-16T
12	Split Bearing Kit (2)	ME9000990
13	Frame Mounting Hardware Kit	ME9000919

Key	Description	RMI Part No.
14	Level-Wind Cover w/ Hardware	ME9000955
15	Idler Sprocket Kit w/ Hardware	ME9000925
16	Bearing Rod Kit	ME9000308
17	Level-Wind Chain Kit	ME9000970
18	Gear Box Kit w/ Hardware	ME9000930
19	Level-Wind Gear - 22 Tooth	ME9000337
20	Level-Wind Carriage & Gimbal Kit	ME9000999
21	Carriage Kit	ME9000927
22	Connecting Pin Kit	ME9000960
23	Hose Guard Set	ME9000422
24	Guide Roller Set	ME9000928
25	Gimbal Roller Set w/ Hardware	ME9000413





HANNAY REELS

Tech Note: Ray Murray, Inc. is a master distributor for Hannay Reels. Shown below are the standard reels used in the propane industry, however RMI has access to a wide variety of custom options for reels used across a variety of other industries. For specs and assistance in sizing and selecting your reel, please contact RMI's technical team.



EPB SERIES



EPBGMBSERIES



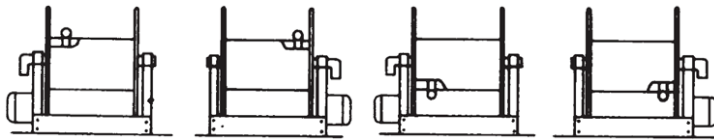
EPBGMT SERIES

ORDERING & REEL SELECTION

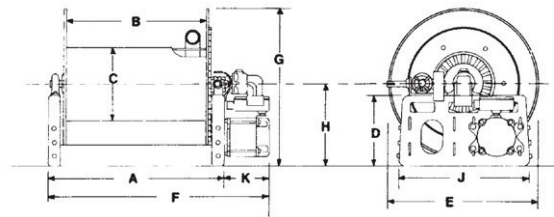
When ordering, the following items must be specified:

- Complete series and model number
- Location of inlet/outlet and rewind motor when facing hose connection
- Construction type: painted steel (standard), stainless steel (SS prefix), or aluminum (SB prefix) construction
- Voltage for electric rewind motor
- 90° or straight swivel joint
- Size and thread of outlet riser

HOSE REEL DIMENSIONAL DRAWING



LEFT TOP REWIND RIGHT TOP REWIND LEFT BOTTOM REWIND RIGHT BOTTOM REWIND



Standard Electric Reel	Guide-Master Bottom Mount	Guide-Master Top Mount	RMI Part No.	Hose Capacity (FT)			Reel Dimensions (IN)								
				ID	3/4"	1"	Dimensions E, F, & G are overall envelope dimensions								
				OD	1-9/32"	1-9/16"	A	B	C	E	F	G	H	J	K
EPB	EPBGMBS	EPBGMT	28-23-24	225	140	25 1/2	20	10 1/2	23	32	23	12	19	6 1/2	
			30-23-24	250	150	27 1/2	22	10 1/2	23	34	23	12	19	6 1/2	
			32-33-24	275	175	29 1/2	24	10 1/2	23	36	23	12	19	6 1/2	
			22-28-29	275	200	19 1/2	13 1/2	10 1/2	28	26	30	14 3/4	26 1/2	6 1/2	
			22-25-26	210	130	19 1/2	13 1/2	10 1/2	25	26	27	15	25	6 1/2	
			24-25-26	230	150	21	15 1/2	10 1/2	24	24 1/8	27	15	25	6 1/2	
			26-25-26	275	175	23	17 1/2	10 1/2	25	30	27	15	25	6 1/2	
			22-33-34	250	150	19	13 1/2	10 1/2	31 3/4	26 5/8	33 5/8	17 3/4	31	6 1/2	
			18-33-34	210	130	15	9 1/2	10 1/2	31 3/4	22 5/8	33 5/8	17 3/4	31	6 1/2	

HOSE REEL GUIDES



FH-3

GM-X-EP

The Guidemaster helps unwind and rewind hose faster, easier, and with less damage to the hose.

The FH-3 speeds handling & reduces hose wear. For factory installation, specify FH-3 assembly and indicate position on the reel. As an accessory, indicate length of the roller and distance between mounting holes.

RMI Part No.	Description	Size Available
GM-X-EP	Guidemaster only	All
GM-X-EP-B*	Includes Bottom Mount Bracket	All
GM-X-EP-T*	Includes Top Mount Bracket	All
FH-3*	Roller and Spool Assembly	All

* Specify reel frame dimensions and RMI Model Number for proper match

STATIC GROUNDING REELS

- Safe & reliable for grounding bobtails & transports
- Heavy duty reel for extended life & durability



HGR-100-100

RMI Part No.	Cable Length	Diameter	Height	Width
HGR-50-50	50'	1/8"	17-1/2"	14-1/2"
HGR-100-100	100'	1/8"	17-1/2"	16-3/4"

Hannay



CUSTOM HOSE REEL ORDERING FORM

To specify Hannay reels, fill out this simple form and send it to RMI. You can photocopy this page or download and print from hannay.com. For more information on custom applications not found in our catalog, contact the RMI Customer Care team at 800-628-5044.

1. Who is the reel for?

Contact	Date / /		
Company	Position		
Street Address			
City	State	Zip	Country
Phone ()	Fax ()	Email	

2. What is the reel for?

HOSE (check one): Storage only Live Single hose Live Dual hose

Inside diameter:	Hose length:	Bend radius:	Flat hose dimensions:
Outside diameter:	Hose weight:	Coupling spacing:	

Type of product handled live application (check one):

<input type="radio"/> Liquid (specify):	<input type="radio"/> Temperature:	<input type="radio"/> Oxygen/Acetylene:	<input type="radio"/> Other (specify):
<input type="radio"/> Gases (specify):	<input type="radio"/> Pressure:	<input type="radio"/> Hydraulic fluid (specify):	

Fluid path type (check one): Steel (standard) Aluminum Stainless Steel Other

Reel inlet type (check one): Swivel joint 90° (standard) Straight

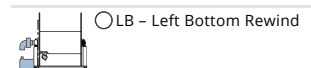
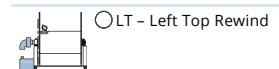
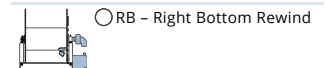
Reel outlet type (riser): Size:

Thread (check one):	<input type="radio"/> National Pipe Thread (NPT)	<input type="radio"/> Joint Industry Committee (JIC)	<input type="radio"/> Other (specify):
	<input type="radio"/> National Standard Thread (NST)	<input type="radio"/> British Standard Pipe (BSP)	

Indicate your custom specifications

4. Specifying Location of Components

Optional Location of Components: Location of the inlet, outlet riser, and rewind mechanism can be varied to meet your requirements and **must be specified on your order**. Unless otherwise specified, most reels will be shipped as **Right Top Rewind** with the inlet, outlet riser, and rewind mechanism on the operator's right.



Note: Use component location initials as suffix after model number (ie: EPB24-25-26 **LT**)

3. What features does the reel need? Check type of rewind:

MANUAL REWIND

Disc rewind (hand over hand) Gear-driven crank Direct crank (permanent or removable) Chain-driven crank

POWER REWIND

Spring Air Electric (voltage): Hydraulic

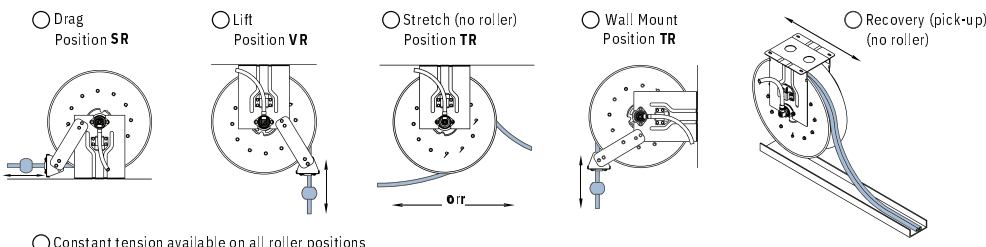
Type of installation (check one): Floor Wall Overhead Vehicle

Temperature Range:	Environment:
Accessories (if any):	Hose Stop: <input type="radio"/> Yes <input type="radio"/> No

Roller Assemblies:

Finish: Painted steel (standard) Aluminum Polished Unpolished Stainless steel Polished Unpolished

Check type of installation and roller position for spring reels:



Constant tension available on all roller positions

5. Please note size and/or weight limitations for your installation

SPECIFICATIONS

Depth: _____

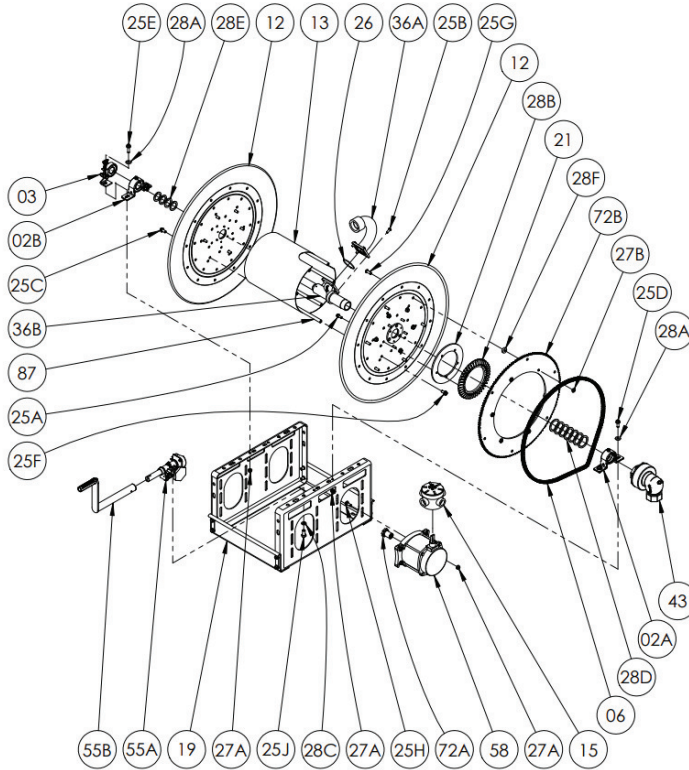
Height: _____

Width: _____

Weight: _____



EPB SERIES HOSE REEL PARTS LIST



Key	Description	RMI Part No.	Hannay Part No.	Qty Req.
02A	1-1/2" Pipe-Size Split Bronze Bearing	9902.1612	9902.1612	1
02B	1" Pipe-Size Bronze Bearing	9902.1630	9902.1630	1
03	Band Brake Assembly w/ L-Bracket	9947.0099	9947.0099	1
06	Chain, #40 ¹	40C10	9912.0008	As Req'd.
12	Disc Assembly ¹	Specify Model		2
13	Drum, 10-1/2" Dia. 14 GA Steel ¹	9905.3131	9905.3131	1
15	Red Dot 5-Port Round Junction Box	JBXXXX	9917.0061	1
19	Pressed Frame Assembly ¹	Specify Model		1
21	H-26 Ring Gear	9914.0372	9914.0372	1
25A	5/16"-18 x 3/4" Spinlock Bolt	9904.2101	9904.2101	5
25B	5/16"-18 x 3/4" Hex Head Cap Screw	9904.1101	9904.1101	4
25C	3/8"-16 x 3/4" Spinlock Bolt	9904.2201	9904.2201	6
25D	3/8"-16 x 1" Spinlock Bolt	9904.2202	9904.2202	3 or 4
25E	3/8"-16 x 1-1/4" Spinlock Bolt	9904.2203	9904.2203	1
25F	3/8"-16 x 3/4" Spinlock Bolt	9904.2201	9904.2201	6
25F	3/8"-16 x 1-1/2" Hex Head Cap Screw ²	9904.1204	9904.1204	6
25G	3/8"-16 x 1" Button Socket Cap Screw	9945.0058	9945.0058	6
25H	3/8"-16 x 1" Steel Carriage Bolt w/ Nut	9904.0200	9904.0200	4
25J	1/2"-13 x 1" Hex Head Bolt	9904.1402	9904.1402	2
26	2-5/8" (BUNA) O-Ring for 1-1/2" Riser	9965.0028	9965.0028	1
27A	3/8"-16 Spinlock Nut	9904.6200	9904.6200	8
27B	3/8"-16 Hex Head Nut	9904.5200	9904.5200	6

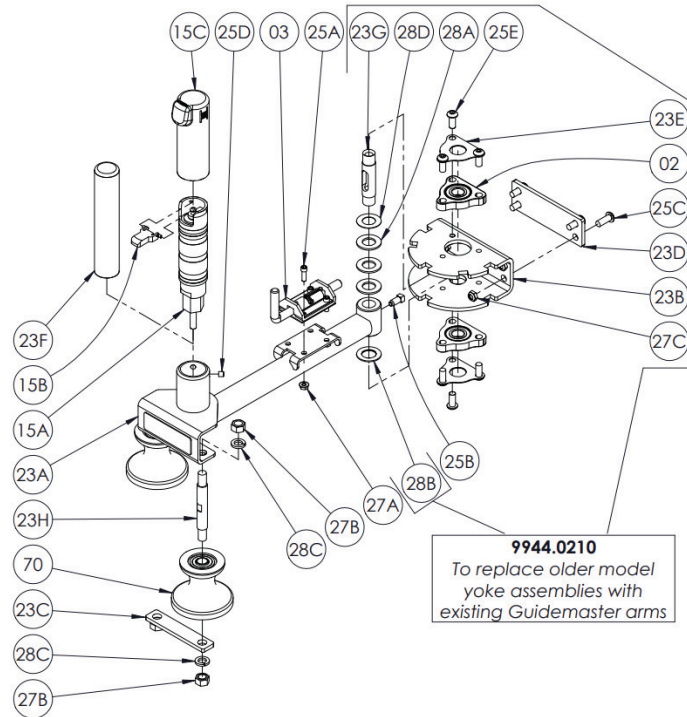
Key	Description	RMI Part No.	Hannay Part No.	Qty Req.
28A	3/8" Flat Washer	9954.0007	9954.0007	4
28B	Special 1/4" Thick Aluminum Backing Plate for H-26	9914.0581	9914.0581	1
28C	1/2" Split Lock Washer	9954.0030	9954.0030	2
28D	1-1/2" Hub Spacer Washer - Plated	9954.0022	9954.0022	As Req'd.
28E	1" Hub Spacer Washer - Plated	9954.0021	9954.0021	As Req'd.
28F	EH-765 Special Spacer for Disc Sprocket	9954.0017	9954.0017	6
28G	3/8" Lock Washer, Internal Tooth ²	9954.0095	9954.0095	6
29	Woodruff Key #9 (3/16" x 3/4") ²	HR-27	9916.0080	2
36A	1-1/2" Iron Pipe Riser, only w/ O-Ring	9901.3760	9901.3760	1
36B	1-1/2" Flange Iron Pipe Hub, only ¹	9901.3640	9901.3640	1
43	1-1/2" 90 Degree FxF Steel 350 PSI Swivel Joint	SMAC-1-1/2	9930.0531	1
55A	Manual Rewind Assembly w/ H-27	9914.0200	9914.0200	1
55B	H-18 Steel Hand Crank - E-Coated	9914.0011	9914.0011	1
58	12V DC Flange 2/3 HP 500 RPM Explosion Proof Motor	9915.0010	9915.0010	1
72A	9T40 Sprocket, 1-5/16" Long	9910.0917	9910.0917	1
72B	134T40 Disc Sprocket - 21.62" Dia.	9910.3125	9910.3125	1
72B	104T40 Disc Sprocket - 16.85" Dia. ²	9910.3121	9910.3121	1
87	Anodized Aluminum Threaded Spacer Pipe	Specify Model		6

¹ Model # must be specified when placing order
² Not shown on diagram

Hannay

Hannay Reels®
The reel leader.

GM-X GUIDEMASTER PARTS LIST



Key	Description	RMI Part No.	Hannay Part No.	Qty Req.
-	GM-X Guidemaster® w/ EPS-1 Switch & Cover	GM-X-EP	9944.0200	-
-	GM-X Guidemaster® (Less EPS-1 Switch)	9944.0205	9944.0205	-
-	GM-X Full Yoke Assembly	9944.0210	9944.0210	-
02	Yoke Bearing w/ Housing	9945.0072	9945.0072	2
03	Pinlock Assembly w/ Hardware	9945.1003	9945.1003	1
15A	EPS-1 Explosion-Proof Switch w/ Weather-Resistant Cover	EPS-1	9917.0200	1
15B	Black Switch Lever for EPS-1	9917.0212	9917.0212	1
15C	Switch Cover for EPS-1 - Gray EPDM	9917.0211	9917.0211	1
23A	GM-X Guidemaster® Tubular Weldment Arm	9944.0207	9944.0207	1
23B	Mounting Yoke	GM-605	9945.0002	1
23C	Bottom Roller Plate	9945.1004	9945.1004	1
23D	Channel Mounting Spacer (2" x 6" x 1/4" Thick)	9945.0070	9945.0070	1
23E	Stainless Steel Cover Plate for Yoke Bearing	9945.0071	9945.0071	2
23F	GM-X Grip Handle - for use w/out EPS-1 Switch	9945.0046	9945.0046	1
23G	SST Pivot Pin w/ Square Head Screw	GM-613	9945.0025	1
23H	Roller Mounting Pin w/ Nuts and Washers	9945.1005	9945.1005	2
25A	SST Socket Head Cap Screw	9945.0054	9945.0054	4
25B	Square Head Set Screw w/ 1/4" Dog Point	9945.0053	9945.0053	1
25C	Button Socket Cap Screw	9945.0058	9945.0058	4
25D	Allen Set Screw (SST) w/ Nylok	9958.0006	9958.0006	2
25E	Button Socket Cap Screw w/ Nylok	9945.0010	9945.0010	6
27A	Small Flange Spinlock Nut	9904.6000	9904.6000	4
27B	Hex Nut	9954.0036	9954.0036	4
27C	Stainless Steel Thin Nylon Lock Nut	9960.0099	9960.0099	4
28A	Stainless Steel Washer	9954.0041	9954.0041	3
28B	Bronze Thrust Washer	9954.0039	9954.0039	1
28C	1/2" Split Lock Washer	9954.0030	9954.0030	4
28D	Stainless Steel Washer	9954.0040	9954.0040	1
70	GM-X Hourglass Roller w/ Bearings	GMX-609	9945.1000	2

Note: To ensure accuracy when ordering replacement parts - please specify the model and serial number of the reel



Non-stock/special order items are not cancellable or returnable

Shop online at www.raymurray.com or call **800-628-5044**

Hannay



HOSE REEL CONTROL SWITCH COVERS

- Made with durable UV stable black low temperature EPDM material
- Includes security lanyard to help prevent loss of the cap
- Fits Hannay Guidemaster and red DOT EPS switches
- Control switch can be operated through cover without removing



MEP-GMC1



MEP-RDC1

RMI Part No.	Description
MEP-GMC1	Hose Reel Control Switch Cover for Guidemaster Control Arm
MEP-RDC1	Hose Reel Control Switch Cover for Red DOT EPS

COMMON PARTS

RMI Part No.	Hannay Part No.	Description
Motors, Sprockets, Chain		
9910.0919	9910.0919	9T40 Sprocket 1-3/4" Long
11T35A	9910.1116	11 Tooth Sprocket; 3/4"
11T35D	9910.1117	11 Tooth Sprocket; 1-1/16"
11T35B	9910.1118	11 Tooth Sprocket; 1-5/16"
11T35C	9910.1119	11 Tooth Sprocket; 1-3/4"
35C10	9912.0001	#35 Chain 10' W/ Connect Link
40C10	9912.0002	#40 Chain 10' W/Conn Link
HR-35	9912.0010	Connecting Link
9912.0013	9912.0013	Half Link For #35 Chain
001XXX	9915.0003	12V-Flanged Exp. Pr. Motor
002XXX	9915.0013	12V Base Explosion Proof Motor
9918.1123	9918.1123	#6 Am Gast Air Motor
9918.2600	9918.2600	Hydraulic Motor
Switches & Electrical		
EXPB-2A	9917.0001	(12/24 Volt DC) Switch W/ Box
9917.0004	9917.0004	Rubber Capped Switch
90018	9917.0006	Switch Less Cap
83280	9917.0008	Rubber Cap; 90018 & ESP-1
800T-XD1	9917.0014	Internal Switch, EEXPB-2A
9917.0020	9917.0020	40 Amp Breakers
CDLM-50	9917.0021	50 Amp Circuit Breaker
CDLM-70	9917.0022	70 Amp Circuit Breaker
9917.0024	9917.0024	CB-2 Circuit Breaker Bracket
9917.0025	9917.0025	12 V Solenoid Standard Duty
S-12V	9917.0027	12V Solenoid 4 Wire Terminal
JBC-1	9917.0060	Junction Box Complete
Swivel Joints, Risers, & Hub Assemblies		
9929.8525	9929.8525	1" 90 FxF 304 S.S.1000 PSI Swivel
9929.8552	9929.8552	1" 90 FxF 4000 Psi Viton Swivel
SMAC-1-1/2	9930.0531	1-1/2" 90° FxF Full Circle Swivel
3115627	-	Thixogrease Hp Lubricant 14Oz

RMI Part No.	Hannay Part No.	Description
Roller Assemblies, Cable Guides, Hose Stops		
HS-3	9922.0011	Hose Stop
HS-45	9922.0012	Hose Stop
9939.0062	9939.0062	Assembly C Roller
9939.0069	9939.0069	Assembly B Roller
9939.0070	9939.0070	FH-3 Dbl Cavtive Roller Assy
9939.1062	9939.1062	Assy C Roller
FH-301	9940.0005	Spool
EH-650	9940.0076	Mounting Block
Bearings		
HR-25	9902.1400	1" Self-Aligning Bearing
HR-23	9902.1500	1" Ball Bearing Insert
996XXX	9902.1700	1-1/2" Bronze Insert
FH-303-15	9940.0007	Nylon Trunion Bearing - 1-1/2"
FH-303-2	9940.0008	Trunion Bearing - 2" Diameter
Rewind Assemblies, Brakes, Ratchets		
9921.0013	9921.0013	Super A Spring
9947.0035	9947.0035	Comet Brake
9947.0090	9947.0090	Comet Brake Assy(Bearing Mtd)
Old-Style Guidemaster Parts (While Supplies Last)		
9917.0207	9917.0207	Switch Bracket For GM-700
GM-608	9945.0026	Ball Bearing For GM-609 Spool
9945.0033	9945.0033	304 SS Gm Angle Brackets Only
9945.0036	9945.0036	GM Bottom-Wind Brackets (Pair)

Swivels

FULL CIRCLE HOSE SWIVELS

- Stainless Steel Housing
- Compact Design
- UL Standard: 567
- Field Repairable
- 350 PSIG Working Pressure
- Full Port



JO-1FC

RMI Part No.	Size	Diameter	Length
JO-34C	3/4"	2-1/2"	3-3/8"
JO-1FC	1"	2-1/2"	3-3/8"
JO-1SK/RK	Repair Kit for 3/4" & 1"		

FULL CIRCLE SWIVELS

- Zero maintenance design
- Pre-tapped for relief valve
- Field repairable
- UL Listed

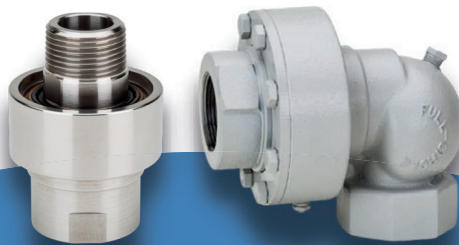


SMAC-112

RMI Part No.	Size	Description
SMAC-190LN	1"	90° Swivel
SMAC-114	1-1/4"	90° Swivel
SMAC-112	1-1/2"	90° Swivel
SMAC-200	2"	90° Swivel
SMAC-1STLN	1"	Straight Swivel
SMAC-114STLN	1-1/4"	Straight Swivel
SMAC-112ST	1-1/2"	Straight Swivel
SMAC-200ST	2"	Straight Swivel



The Leading Manufacturer of Swivels for Liquefied Gas Transfer For Over Three Decades



fullcircleswivels.com

UL Listed, EU/UK Compliant, ISO 9001 QMS certified

SAFE. RELIABLE. SEAMLESS.



MARSHALL E-Z TURN SWIVELS

- All stainless steel construction for maximum durability and corrosion resistance
- Large bearing surface for increased strength and durability
- 360° rotation under maximum working pressure of 400psig
- UL Listed Seal pack design allows for extremely long life with no maintenance required
- Straight through bore for unobstructed flow characteristics

RMI Part No.	Inlet (FNPT)	Outlet (MNPT)
ME850SS-6	3/4"	3/4"
ME850SS-6/8	3/4"	1"
ME850SS-8	1"	1"
ME850SS-8/6	1"	3/4"
ME850SS-10/8	1-1/4"	1"



ME850SS-8