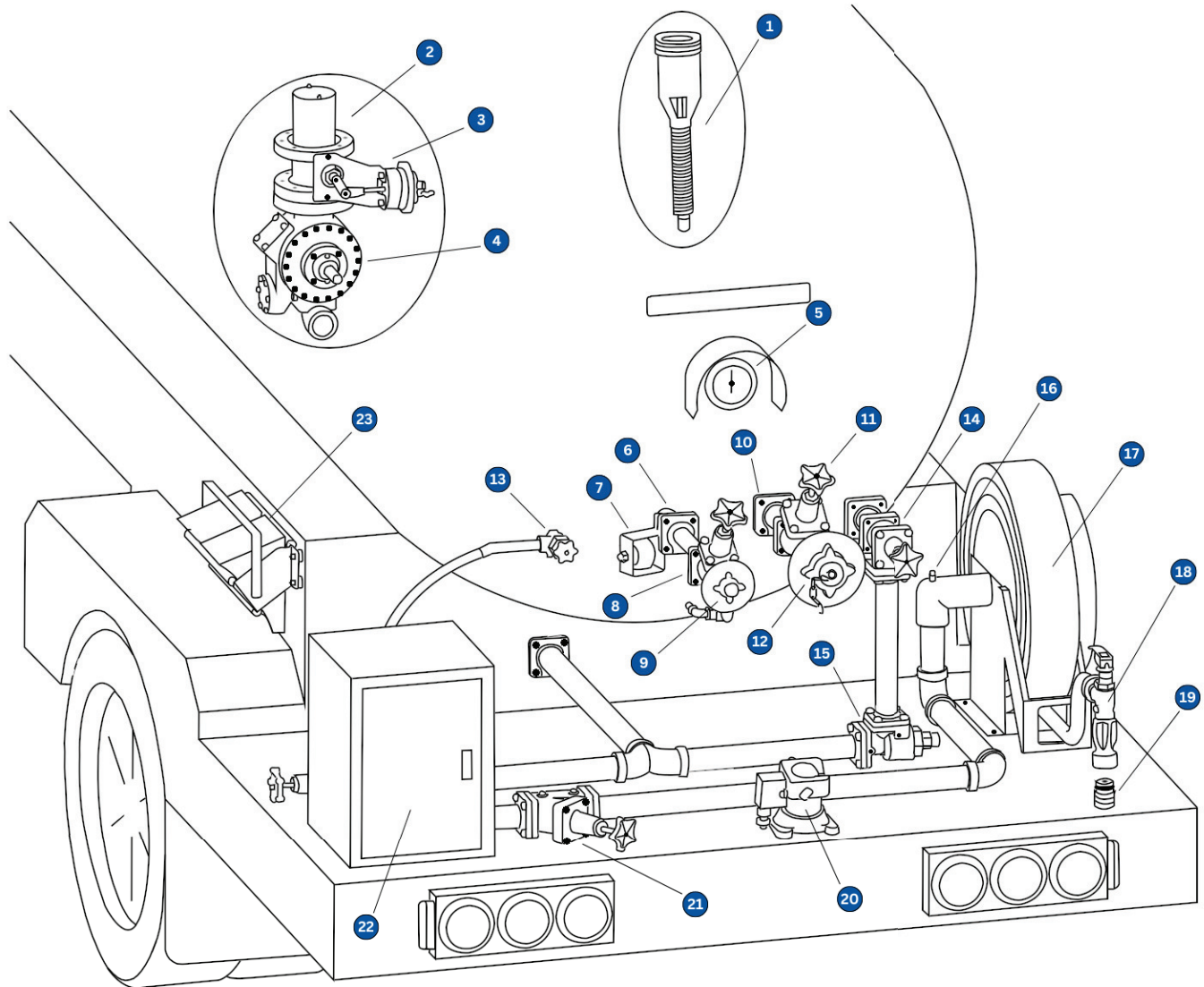


**Bobtail Diagram**

**ANATOMY OF A BOBTAIL - SUPPLIED BY RMI!**



Non-stock/special order items are not cancellable or returnable

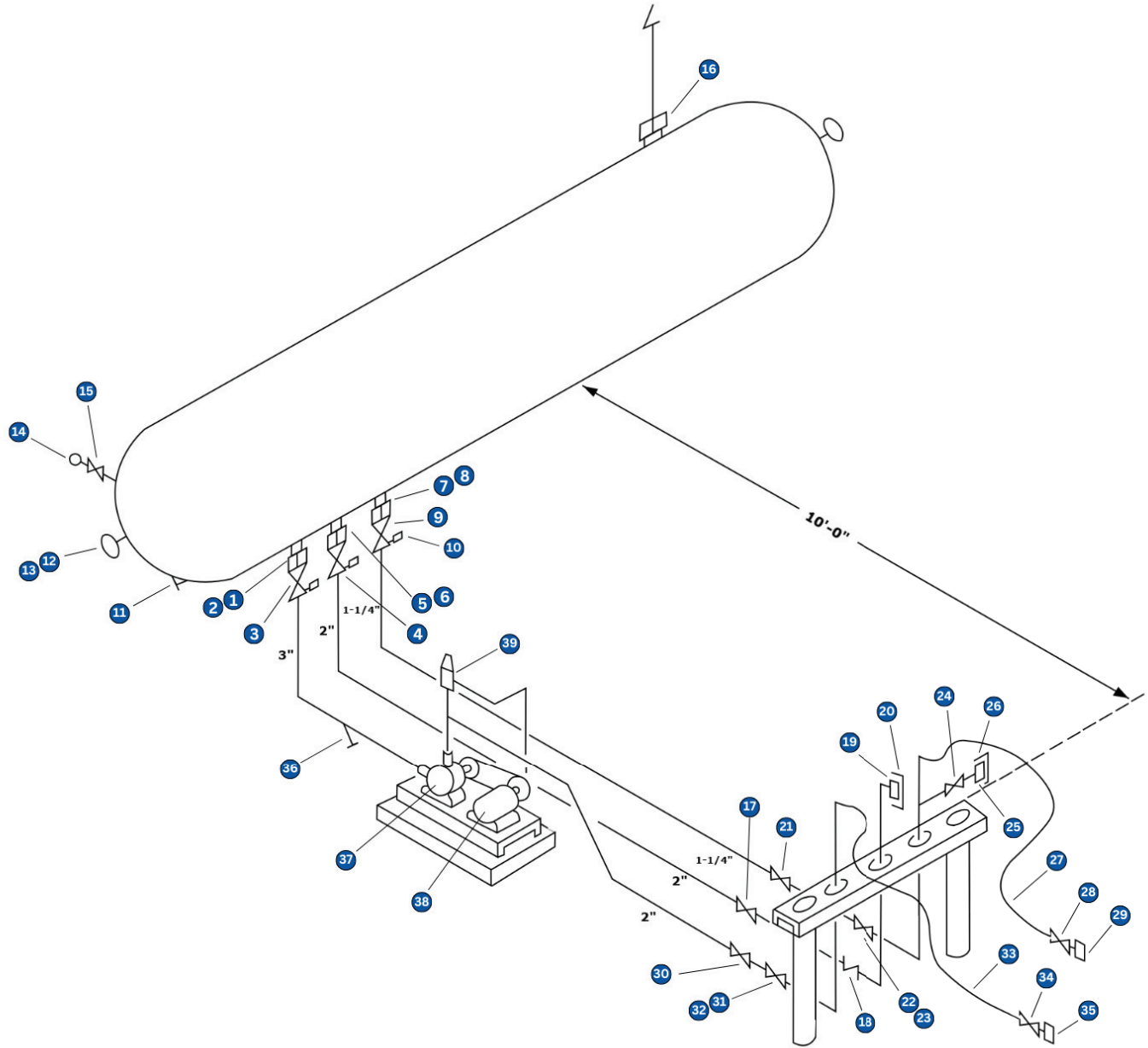
Shop online at [www.raymurray.com](http://www.raymurray.com) or call **800-628-5044**

Key	Component Description	RMI Part No.	Item Description
1	Pressure Relief Valve (2)	MEV200FIR/250	MEC 2" Internal Relief Valve, 250PSI
		H722-250	Fisher 2" Internal Relief Valve, 250PSI
		MEV300FIR/250	MEC 3" Internal Relief Valve, 250PSI
		H733-250	Fisher 3" Internal Relief Valve, 250PSI
2	Internal Valve	ME990S-3DF-400	MEC 3" Double Flanged Internal Valve, 400PSI
		C483-24-40	Fisher 3" Double Flanged Internal Valve, 400PSI
3	Actuator	ME207	MEC Air-Powered Actuator for 3" Internal Valves
		P623	Fisher Air-Powered Actuator for 3" Internal Valves
4	Pump	TLGLF3	Blackmer 3" Mount Bobtail Pump
		Z3200	Corken 3" Mount Bobtail Pump
5	Gauge	ME930	MEC Glow Dial Float Gauge
		J31L	Fisher Rotary-Style Gauge
6	Internal Valve	ME990-10-85	MEC 1-1/4" Internal Valve, 85GPM
		C407-10-08	Fisher 1-1/4" Internal Valve, 80GPM
7	Actuator	ME205	MEC Air-Powered Actuator for 1-1/4" Internal Valves
		P389	Fisher Cylinder Actuator for 1-1/4" Internal Valves
8	Globe Valve	ME825-10	MEC 1-1/4" Globe Valve
		N310-10	Fisher 1-1/4" Globe Valve
9	Adapter*	ME217	1-3/4" ACME x 1-1/4" MNPT Brass Adapter
	Cap	ME229F5-1C	1-3/4" ACME Brass Cap with 5" Flange and Cable, Knob Style
10	Back Check Valve	ME870S-16	MEC 2" Steel Back Check Valve
		G102	Fisher 2" Steel Back Check Valve
11	Globe Valve	ME825-16	MEC 2" Globe Valve
		N310-16	Fisher 2" Globe Valve
12	Smart Interlock System	ME217PIB	Interlock Sensor
	Acme Adaptor	ME503-16	3-1/4" MACME x 2" MNPT Brass Adapter
	Acme Cap	ME441F8-1C	3-1/4" ACME Brass Cap with 8" Flange and Cable, Knob Style
13	Excess Flow Valve	ME880-6/22	MEC 3/4" Excess Flow Valve, 22GPM
		F101	Fisher 3/4" Excess Flow Valve, 20GPM
14	Angle Valve	ME815-16	MEC 2" Angle Valve
		N401-16	Fisher 2" Angle Valve
15	Bypass Valve	ME840-125	MEC 1-1/4" - 2" Universal Bypass Valve, 90-125PSI
		N100-16-2	Fisher 2" Bypass Valve, 50-150PSI
16	Hydrostatic Relief Valve	MEH225	MEC 1/4" Hydrostatic Relief Valve, 440PSI
		H124	Fisher 1/4" Hydrostatic Relief Valve, 450PSI
17	Hose Reel	ME9000LH-17/25	MEC Hose Reel
		EPB Series	Hannay Hose Reel
18	Hose End Valve	ME1075WS-8	1" Flanged High Flow Hose End Valve w/ Swivel
		ME800GWS	1" Threaded High Flow Hose End Valve w/ Swivel
19	Hose End Safety Adaptor	ME571H	MEC 1-3/4" High Flow Filler Hose Adapter w/ Swivel
		M570	Fisher 1-3/4" Filler Hose Adapter
20	Hose End Holster	MEP801PIH	Hose End Holster w/ Interlock Sensor
		MEP801	Hose End Holster
21	Globe Valve	ME825-16	MEC 2" Globe Valve
		N310-16	Fisher 2" Globe Valve
22	Meter	MA7	Liquid Controls 2" Flanged Temp Comp Meter, 100GPM
23	Chock Block Holder	ME200B	Chock Block Holder
24	Chock Block	ME200	Aluminum Chock Block - 7"H x 10"L x 7"W



**Bulk Plant Diagram**

**ANATOMY OF A BULK PLANT - SUPPLIED BY RMI!**



Key	Component Description	RMI Part No.	Item Description
1	Internal Valve	ME990-24-400	MEC 3" Internal Valve, 400GPM
		C477-24-46	Fisher 3" Internal Valve, 460GPM
2	Actuator	ME206	MEC Air Powered Actuator for 2" & 3" Internal Valves
		P639A	Fisher Air Powered Actuator for 2" & 3" Internal Valves
3	Globe Valve	ME825-24	MEC 3" Globe Valve
		N610-24	Fisher 3" Globe Valve
4	Globe Valve	ME825-16	MEC 2" Globe Valve
		N310-16	Fisher 2" Globe Valve
5	Internal Valve	ME990-16-260	MEC 2" Internal Valve, 260 GPM
		C477-16-25	Fisher 2" Internal Valve, 250 GPM
6	Actuator	ME206	MEC Air Powered Actuator for 2" & 3" Internal Valves
		P639A	Fisher Air Powered Actuator for 2" & 3" Internal Valves
7	Internal Valve	ME990-10-85	MEC 1-1/4" Internal Valve, 85GPM
		C407-10-08	Fisher 1-1/4" Internal Valve, 80GPM
8	Actuator	ME205	MEC Air-Powered Actuator for 1-1/4" Internal Valves
		P389	Fisher Cylinder Actuator for 1-1/4" Internal Valves
9	Globe Valve	ME825-10	MEC 1-1/4" Globe Valve
		N310-10	Fisher 1-1/4" Globe Valve
10	Hydrostatic Relief Valve	MEH225	MEC 1/4" Hydrostatic Relief Valve, 440PSI
		H124	Fisher 1/4" Hydrostatic Relief Valve, 450PSI
11	Container Thermometer	MEJ700	MEC 4" Thermometer
		J700	Fisher 4" Thermometer
12	Gauge	ME940-130	MEC Glow Dial Float Gauge Assy, 8" Dial, 130" Dia
		J31L-3L	Fisher Rotary Gauge, 109"-140" Dia
13	Flange	ME931	2-1/2" Float Gauge Mounting Flange
14	Gauge	MEJ542	0-400 PSI Bottom Mount Pressure Gauge
15	Vent Valve	MEJ415G	Liquid Vent Valve
16	Pilot-Operated Relief Valve	ME910P/250-ASME	MEC 4" Pilot-Operated Relief Valve, 250PSI
		63EGLP-250	Fisher 4" Pilot-Operated Relief Valve, 250PSI
17	Globe Valve	ME825-16	MEC 2" Globe Valve
		N310-16	Fisher 2" Globe Valve
18	Sight Flow Valve	ME875S-16	MEC 2" Sight Flow Valve
19	ACME Adapter	ME252-16	3-1/4" ACME x 2" FNPT Brass Adapter
20	ACME Cap & Cable	ME441F-1C	3-1/4" ACME Brass Cap w/ Cable

Key	Component Description	RMI Part No.	Item Description
21	Globe Valve	ME825-10	MEC 1-1/4" Globe Valve
		N310-10	Fisher 1-1/4" Globe Valve
22	Emergency Shutoff Valve	ME980-10	MEC 1-1/4" Emergency Shutoff Valve
		N551-10	Fisher 1-1/4" Emergency Shutoff Valve
23	Actuator	ME551	MEC Air Powered Actuator for ESVs
		P539A	Fisher Air Powered Actuator for ESVs
24	Globe Valve	ME825-10	MEC 1-1/4" Globe Valve
		N310-10	Fisher 1-1/4" Globe Valve
25	ACME Adapter	ME217	1-3/4" ACME x 1-1/4" MNPT Brass Adapter
26	ACME Cap & Cable	ME229F-1C	1-3/4" Brass ACME Cap w/ Cable
27	Loading Hose	1-1/4" HOSEKIT	1-1/4" Loading Hose *Built to Spec by RMI*
28	Globe Valve	ME825-10	MEC 1-1/4" Globe Valve
		N310-10	Fisher 1-1/4" Globe Valve
29	Hose Coupling	ME120	2-1/4" ACME Hose Coupling
30	Globe Valve	ME825-16	MEC 2" Globe Valve
		N310-16	Fisher 2" Globe Valve
31	Emergency Shutoff Valve	ME980-16	MEC 2" Emergency Shutoff Valve
		N551-16	Fisher 2" Emergency Shutoff Valve
32	Actuator	ME551	MEC Air Powered Actuator for ESVs
		P539A	Fisher Air Powered Actuator for ESVs
33	Breakaway Hose	CG-LPG-32-R15-3	2" x 15' Smarthose Breakaway Hose Assy
34	Globe Valve	ME825-16	MEC 2" Globe Valve
		N310-16	Fisher 2" Globe Valve
35	ACME Adapter	ME130	MEC 3-1/4" x 2" ACME Coupling
		M133	Fisher 3-1/4" x 2" ACME Coupling
36	Strainer	ME656SP	3" Strainer w/ Plug
37	Pump	LGLD3F-MNT30-M215T-10HP	Blackmer 3" Pump, Base, Drive Assy w/ 10HP 3PH Motor
		Z3500-103-215T-10HP	Corken 3" Pump, Base, Drive Assy w/ 10HP 3PH Motor
38	Motor	EM-10	Blackmer 10HP 3PH Motor - 1800RPM
		6010-1C2B1	Corken 10HP 3PH Motor - 1800RPM
39	Bypass Valve	BV-2	Blackmer 2" NPT Bypass Valve
		ZV200	Corken 2" NPT Bypass Valve



Non-stock/special order items are not cancellable or returnable

Shop online at [www.raymurray.com](http://www.raymurray.com) or call **800-628-5044**