

BLACKMER FILL STATION

Designed for Use with D-2A Cabinet



PK-D2 FITTING PACKAGE

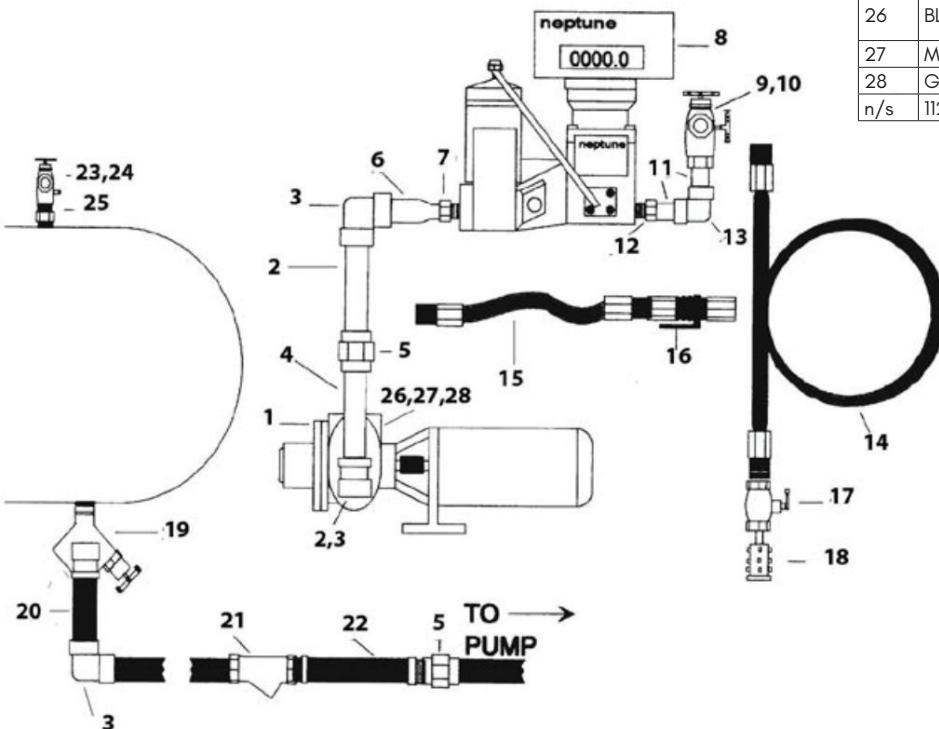
RMI Part No.	Description
C407M10-04	1-1/4" Internal Valve, w/ P341 Latch Kit 40 GPM
ME652S	Strainer
105-12	3/4" hex Plug
FLEX 1-12	Flex Connector
ME202	Snubber
GB-400	Pressure Gauge
ME870-6	3/4" Back Check
ME880-6/22	Excess Flow Valve
ME815-6	3/4" Angle Valve
MEH225	1/4" External Relief Valve
MEJ602H	1/4" Elbow w/ Relief & Bleeder
ME449	Transfer Valve
ME880-6/14	Excess Flow Valve
ME791CJ	Toggle w/Bleeder
FH-1218	1/2" Hose w/ 1/2" x 3/4" ends 18'
LPGH-3/4-3C	3/4" X 3 Ft. Hose w/ends
ME860S-6	3/4" Break-A-Way Coupling
BL-4-4LP	1/4"F x 1/4" M Street Elbow
ME353	MPOL x 3/8" FI Adaptor
ME516	POL Filler Coupling
ME393	1-5/16" Acme Adaptor
ME569	1-3/4" ACME Fill Adaptor

PF-D2 FITTING PACKAGE

RMI Part No.	Description	Quantity
104-16	1" 90°	3
109-16	1" Union	2
150-1612	1" x 3/4" Concentric Swage	1
124-00	3/4" Close Nipple	2
104-12	3/4" 90° Elbow	1
481K	5/8" x 1/2" Flare Adaptor	2
NS4I	5/8" Flare Nut	2
KCT12-20	1/2" Copper Tubing-Type K	20'
NS4E	3/8" Flare Nut	2
LCT14-20	1/4" Copper Tubing Type-L	20'
125-05	1" x 5" Nipple	2
150-2016	1-1/4" X 1" Concentric Swage	1
125-06	1" x 6" Nipple	1

BLACKMER FILL STATION COMPONENTS

Key*	RMI Part No.	Description	PK-D2	PF-D2
1	LGFIIP-1.5HP	1" Pump, 1.5 HP Motor & Switch	-	-
2	125-05	1" x 5" Nipple	-	X
3	104-16	1" 90° Elbow	-	X
4	125-06	1" x 6" Nipple	-	X
5	109-16	1" Union	-	X
6	150-1612	1" x 3/4" Concentric Swage	-	X
7	ME870-6	3/4" Back Check	X	-
8	090028-101	3/4" Non-Compensated Meter	-	-
9	ME815-6	3/4" Angle Valve	X	-
10	MEJ602H	1/4" Elbow w/Relief & Bleeder	X	-
11	124-00	3/4" Close Nipple	-	X
12	ME880-6/22	Excess Flow Valve	X	-
13	104-12	3/4" 90° Elbow	-	X
14	FH-1218	1/2" Hose w/1/2" x 3/4" ends 18'	X	-
15	LPGH-3/4-3C	3/4" x 3 Ft. Hose w/ Ends	X	-
16	ME860S-6	3/4" Break-A-Way Coupling	X	-
17	ME791CJ	Toggle w/Bleeder	X	-
18	ME516	POL Filler Coupling	X	-
19	C407M10-04	1-1/4" Internal Valve, W/ P341 Latch Kit 40 GPM	X	-
20	150-2016	1-1/4" x 1" Concentric Swage	-	X
21	ME652S	Strainer	X	-
22	FLEX 1-12	Flex Connector	X	-
23	ME449	Transfer Valve	X	-
24	MEH225	1/4" External Relief Valve	X	-
25	ME880-6/14	Excess Flow Valve	X	-
26	BL-4-4LP	1/4"F x 1/4"M Street Elbow	X	-
27	ME202	Snubber	X	-
28	GB-400	Pressure Gauge	X	-
n/s	1124	Scale	-	-



* See diagram

This fill station package is available fully assembled with an aluminum cabinet. Scale sold separately. Contact RMI Customer Service for more details.

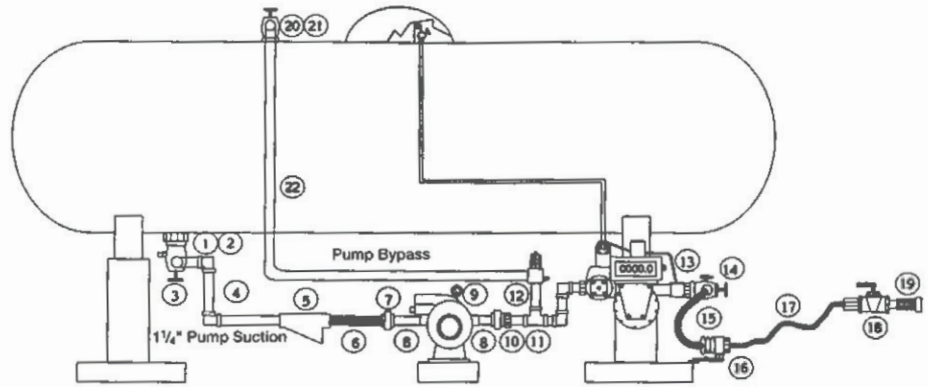
BLACKMER 1-1/4" PACKAGE



PKV-125 VALVE KIT

Key*	RMI Part No.	Description
3	C407M10-04	1-1/4" Internal Valve, w/ P341 Latch Kit 40 GPM
5	ME653S	Strainer Plus Plug
6	FLEX 1-1/4-14	Flex Connector
9	GB-400	Pressure Gauge
9	NMF20BK	Needle Valve
9	ME202S	Snubber
10	A8013D	Excess Flow Valve
17	LPGH-3/4-15C	Hose w/Ends
18	ME820-6	Snap Valve
19	ME210	Snap Valve
19	ME390	Snap Valve
19	ME516	Snap Valve
19	ME635-6	Fill Connector
20	ME880-6/14	Excess Flow Valve
21	ME449	Service Valve
21	MEH225	Hydrostatic Relief
19	MEJ400	Liquid Level Gauge

*See diagram



PKF-125 FITTINGS KIT

Key*	RMI Part No.	Description
2	126-03	1-1/4" x 3" Nipple
4	104-20 (2)	1-1/4" 90° Elbow
7	109-20 (2)	1-1/4" Union
8	126-06 (2)	1-1/4" x 6" Nipple
11	108-12	3/4" Tee
12	124-08	3/4" Nipple
13	124-03	3/4" Nipple
22	KCT12,481K (2), NS41 (2)	Copper tubing for Bypass

*See diagram

PKB-125 BREAK-A-WAY

Key*	RMI Part No.	Description
14	ME815-6	3/4" Angle Valve
14	MEJ602H	1/4" Elbow w/ Bleeder & Relief
15	LPGH-3/4-3C	Hose w/Ends
16	ME860S-6	Break-A-Way Coupling

*See diagram

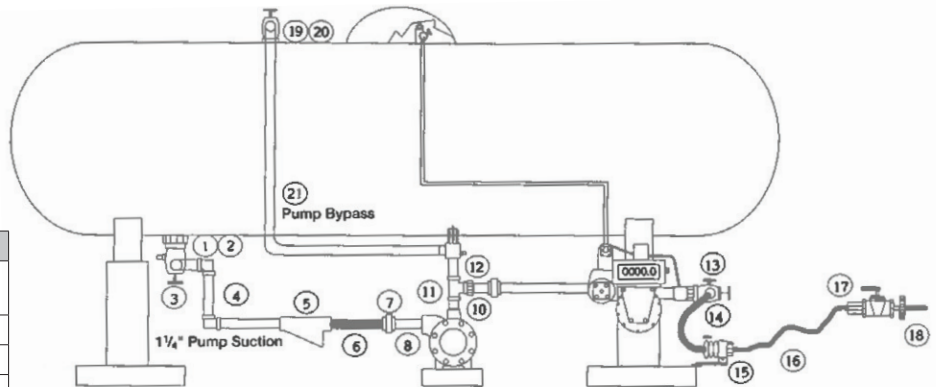
CORKEN 1-1/4" PACKAGE



PKV-C1012 VALVE KIT

Key*	RMI Part No.	Description
3	C407M10-04	1-1/4" Internal Valve, w/ P341 Latch Kit 40 GPM
5	ME653S	Strainer Plus Plug
6	FLEX 1-1/4-14	Flex Connector
9	GB-400	Pressure Gauge
9	NMF20BK	Needle Valve
9	ME202S	Snubber
12	ME880-6/22	Excess Flow Valve
16	LPGH-3/4-15C	Hose w/Ends
17	ME791CJ	Snap Valve
18	ME390	Fill Connector
19	ME880-6/14	Excess Flow Valve
21	ME449	Service Valve
21	MEH225	Hydrostatic Relief

*See diagram



PKF-C1012 FITTING KIT**

Key*	RMI Part No.	Description
2	126-03	1-1/4" x 3" Nipple
4	104-20 (2)	1-1/4" 90° Elbow
7	109-20 (2)	1-1/4" Union
8	126-06 (2)	1-1/4" x 6" Nipple
10	150-1612	1" x 3/4" Swage Nipple
11	108-12	3/4" Tee
22	KCT12,481K (2), NS41 (2)	Copper tubing for Bypass

*See diagram

**For C12, order 151-2420 Swage

PKB-C1012 BREAK-A-WAY

Key*	RMI Part No.	Description
13	ME815-6	3/4" Angle Valve
13	MEJ602H	1/4" Elbow w/Bleeder & Relief
14	LPGH-3/4-3C	Hose w/Ends
15	ME860S-6	Break-A-Way Coupling
15	106-1208	3/4" x 1/2" Bushing

*See diagram