

### Hose End & Toggle Valves

#### ME791 TOGGLE VALVE

Marshall Excelsior Quick acting hose end valve features standard or Locking device on the handle, Positive shut-off, and maximum flow.

RMI Part No.		Inlet	Outlet	Vent Valve
Without Lock	With Lock			
ME791C	ME792C	1/2"	1/4"	No
ME791CJ	ME792CJ	1/2"	1/4"	Yes
ME791D	ME792D	1/2"	1/2"	No
ME791DJ	ME792DJ	1/2"	1/2"	Yes



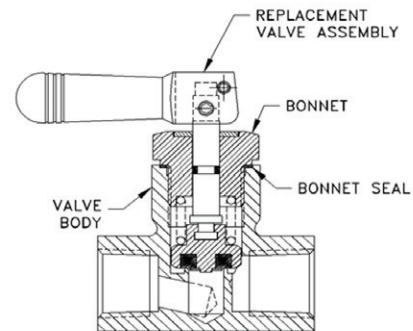
ME791 SERIES

**TECH TIP:** NFPA 58 requires a listed quick-acting shutoff valve to be installed at the discharge end of a transfer hose on a vehicle fuel dispensing and dispensing systems.

#### MARSHALL EXCELSIOR DISPENSING VALVES

- Quick Opening and Closing action with locking mechanism
- Stainless Bleed valve included
- All Steel and Stainless components

**TECH TIP:** Add ME850 series Swivel to prevent hose kinking - See page 219.



RMI Part No.	Size	Ports	Bleed Valve Installed
Angle			
ME810-4	1/2"	1	Yes
ME810-6	3/4"	1	Yes
ME810-8	1"	1	Yes
Globe			
ME820-4	1/2"	1	Yes
ME820-6	3/4"	1	Yes
ME820-8	1"	1	Yes
Economy Globe			
ME821-4	1/2"	2	No
ME821-6	3/4"	2	No
ME821B-4	1/2"	2	Yes
ME821B-6	3/4"	2	Yes



ME820-6

#### REPAIR KITS

RMI Part No.	Description
ME800-HRK	Handle Repair Kit, ME800, ME810, & ME820 Series
ME791K	Non-Locking Series Bonnet Repair Kit, ME791 Series
ME792K	Locking Series Bonnet Repair Kit, ME792 Series

### Hose End & Toggle Valves

#### MEC EXCELA-FLANGE HOSE-END VALVE

- Stainless Steel construction & FKM trim for maximum service life
- 4 bolt Excela-Flange™ inlet connection for quick service and replacement
- Integrated stainless swivel inlet design
- Vents less than .50cc for minimal loss of product at disconnect
- Split bonnet - sealed packing chamber design to protects seals
- Dedicated internal operation spring for smooth performance
- Self-locking toggle handle prevents accidental valve discharge
- Toggle handle and stem assembly rotate 360°
- High flow design for increased operational efficiency
- Ergonomic nozzle grip with stainless steel 1-3/4" Female Acme insert



ME 1075 SERIES

#### HOSE END VALVE CONFIGURATIONS

Part No.	Description	Inlet (FNPT)	Outlet (F. ACME)
ME1075	Valve Only - No inlet flange or swivel	-	1-3/4"
ME1075-6	3/4" FNPT Inlet Flange - Factory Installed	3/4"	1-3/4"
ME1075-8	1" FNPT Inlet Flange - Factory Installed	1"	1-3/4"
ME1075WS-6	3/4" FNPT Inlet Swivel - Factory Installed	3/4"	1-3/4"
ME1075WS-8	1" FNPT Inlet Swivel - Factory Installed	1"	1-3/4"

#### ACCESSORIES

Part No.	Description
ME1075V-6FK*	3/4" FNPT Inlet Flange Kit
ME1075V-8FK*	1" FNPT Inlet Flange Kit
ME857V-6*	3/4" FNPT Inlet Swivel Kit
ME857V-8*	1" FNPT Inlet Swivel Kit
MEP801	Hose End Valve Holster

\*Kits include (4) SS cap screws & FKM flange seal o-ring

#### REGO BOBTAIL HOSE END VALVE

- Operator friendly contoured fluted handle
- Self-Locking handle
- Vents less than 1/500th of a gallon when connected

**TECH TIP:** Add ME850 Series swivel to prevent hose kinking

RMI Part No.	Description
A7797	1" x 1-3/4" Min Bleed Bobtail hose end valve
A7797-50	Repair Kit



A7797

#### MARSHALL EXCELSIOR BOBTAIL HOSE END VALVE

- Pressure tested to 600 PSIG
- User friendly handles
- Quick Opening and Closing action with locking mechanism
- Extremely Low gas loss
- All Steel and Stainless construction



ME800

RMI Part No.	Size	Description
ME800	1" x 1-3/4"	Bobtail hose end valve
ME800WS	1" x 1-3/4"	with swivel installed
ME800C	1" x 1-3/4"	With composite handle
ME800CWS	1" x 1-3/4"	With composite handle and swivel
ME800G	1" x 1-3/4"	Fluted Handle (REGO style)
ME800GWS	1" x 1-3/4"	Fluted Handle and swivel (REGO style)
ME800EXT	1" x 1-3/4"	Extended version
ME800EXTWS	1" x 1-3/4"	Extended version with swivel
ME800-SARK	1" x 1-3/4"	Stem Assembly repair Kit
ME800-LSRK	1" x 1-3/4"	Lower seal repair Kit

### Filler Couplings and Adapters

#### FILLER HOSE ADAPTORS

Hose End Check Adaptors which may be left on the tank filler valve in case of valve failure. All Models have an integral breakaway feature in case of a truck roll away that will leave the check intact on the tank.

RMI Part No.	Style	Swivel	Bleed Valve Installed
ME570	COMPACT	NO	NO
ME571	TALL	NO	NO
ME572	COMPACT	YES	NO
ME574	TALL	YES	YES
ME571H*	TALL	NO	NO

\* ME571H is a high flow adaptor up to 86 GPM



ME571H



ME574

#### EXTENDED FILLER HOSE ADAPTOR

- 7" Extension
- Eliminates unsafe stacking of Multiple check adaptors
- Integral break away feature

RMI Part No.	Description
ME572EXT	Standard Handle
ME572EXTHD	Heavy Duty Handle
ME574EXT	Standard Handle with Bleeder
ME574EXTHD	Heavy Duty Handle with Bleeder



ME572EXTHD



ME574EXT

#### FLO-MAX FULL FLOW FILLER HOSE ADAPTOR

- Up to 30% higher flow rates through full port body
- Includes key for shutoff valve

RMI Part No.	Description
ME578	1-3/4" F ACME Swivel x 1-3/4" M ACME
ME578-02	Replacement KEY and ring



ME578

#### FILLER HOSE ADAPTORS

Intended for the outlet of bobtail truck filling hose. The M570 & ME570 enables the filling hose to be removed if the filler valve fails to close.

RMI Part No.	Description
M570	1-3/4" ACME Filler Hose Adaptor for M570
T13098T0012	Replacement outer washer for M570
T13103T0012	Replacement inner washer
ME570	1-3/4" ACME Filler Hose Adaptor
ME571-06	Replacement outer washer for ME570
ME571-2.03	Replacement inner washer for ME570



M570



ME570

#### MARSHALL POL FILLER COUPLINGS

Soft Nose POL Coupling for Hand Tight O-ring seal

RMI Part No.	INLET	OUTLET	Length	Type
ME390	1/4" MNPT	POL	6"	Heavy Duty
ME390S	1/4" MNPT	POL	6"	Heavy Duty
M390	1/4" MNPT	POL	6"	Standard
M388	1/4" MNPT	POL	2-1/2"	Short

\* All brass shafts, except ME390S, which has a steel shaft



ME390

**Filler Couplings and Adapters**

**MARSHALL POL FILLER ADAPTOR**

Adapts POL Filler coupling to 1-3/4" ACME or QCC type 1

RMI Part No.	Description
ME568	F POL x 1-3/4" ACME Adaptor
ME392	F POL x 1-5/16" QCC type 1 Adaptor
ME394	FPOL x 1-5/16" M QCC Type 1 Adaptor



ME392

**TYPE 1 FILLER COUPLING**

RMI Part No.	Description
ME515	1/4" x Type 1 w/ Knurled handle
ME516	1/4" x Type 1 w/ Forged handle
ME516S	1/4" x Type 1 w/ SS nipple
ME796	Quick fill adaptor



ME516



ME796

**TYPE 1 QCC FILLER ADAPTOR**

Adapts to QCC type 1 (QCC 1-5/16") filler adaptors to POL, Fork Lift, or 1-3/4" ACME valves

RMI Part No.	Description
ME393	Male QCC x MPOL w/ hand wheel
ME393-1	1-5/16" M ACME x 1/4" FPT Adaptor
ME394	Male QCC x Female 1-1/4" Fork lift
ME569	Male QCC x Female 1-3/4" ACME



ME394

**FORK TRUCK OR LIFT TRUCK FILLER COUPLINGS**

Extended motor fuel filling connector permits fast, easy connection through the cylinder collar. Available with FPOL inlet.

RMI Part No.	INLET	OUTLET
ME790	1/4" MNPT	1-1/4 ACME M.F.



ME790