

NGR Series



The NMT® NGR series spring loaded gas regulators with internal relief provide consistent and controlled pressure in a variety of residential, industrial and commercial applications. The NGR meets ANSI Z21.80/CSA 6.22 for Class I, Class II, Vent Limiting and OPD (Overpressure Protection Device) applications and is designed to be used in many applications where non-corrosive dry gases are used. These regulators are recommended for use with generators.



NGR02

NGR02-XXX

	A	B	C	D	E
VALVE BODY	1/2" NPT	3/4" NPT	1" NPT	1-1/4" NPT	
ORIFICE	1/8"	1/4"	3/8"	1/2"	3/16"
SPRING	GREEN	SILVER	YELLOW/BLACK	YELLOW	WHITE

NGR04-XXX

	A	B	C	D	E	F	G	H	E
VALVE BODY	1-1/4" NPT	1-1/2" NPT	2" NPT	2" FL	3" FL				
ORIFICE	1/4"	3/8"	1/2"	5/8"	3/4"	7/8"			
SPRING	BROWN	GRAY	BLACK	BLUE	SILVER	RED/GRAY	YELLOW	RED	WHITE

NGR06-XXX

	A	B	C	D	E	F	G
VALVE BODY	1-1/4" NPT	1-1/2" NPT	2" NPT	2" FL	3" FL		
ORIFICE	1/4"	3/8"	1/2"	5/8"	3/4"	7/8"	
SPRING	ORANGE	GREEN	BLACK	PURPLE	SILVER	YELLOW	WHITE

Body	Orifice	Capacity @ 10 PSI In
NGR02	1/8"	612,814
NGR02	1/4"	1,719,371
NGR02	3/8"	2,844,979
NGR02	1/2"	3,711,809
NGR04	1/4"	2,587,788
NGR04	3/8"	5,556,600
NGR04	1/2"	9,144,576
NGR04	5/8"	10,240,020
NGR04	3/4"	16,066,512
NGR04	7/8"	20,908,692
NGR06	1/4"	2,473,481
NGR06	3/8"	6,061,457
NGR06	1/2"	10,762,340
NGR06	5/8"	17,071,463
NGR06	3/4"	19,422,698
NGR06	7/8"	21,402,436

*Capacity based on 14" WC Set Point

NGR SPRINGS

Part No.	Spring Color	Spring Range	Use With
S02A	Green	6.5 - 16" WC	NGR02
S02B	Silver	14 - 28" WC	NGR02
S02C	Yellow/Black	26 - 42" WC	NGR02
S02D	Yellow	1 - 3 PSI	NGR02
S0204E	White	2 - 5 PSI	NGR02/04
S04A	Brown	3 - 7" WC	NGR04
S04B	Gray	4 - 13" WC	NGR04
S04C	Black	9 - 14" WC	NGR04
S04D	Blue	9 - 15" WC	NGR04
S04E	Silver	12 - 20" WC	NGR04
S04F	Red/Gray	13 - 28" WC	NGR04
S04G	Yellow	1 - 2 PSI	NGR04
S04H	Red	1 - 2.5 PSI	NGR04
S0608A	Orange	2 - 4" WC	NGR06
S0608B	Green	3 - 7" WC	NGR06
S0608C	Black	5 - 13" WC	NGR06
S0608D	Purple	7 - 20" WC	NGR06
S0608E	Silver	19 - 56" WC	NGR06
S0608F	Yellow	1.5 - 3 PSI	NGR06
S0608G	White	2.5 - 7 PSI	NGR06



Non-stock/special order items are not cancellable or returnable

Shop online at www.raymurray.com or call 800-628-5044

N5 Series



N5 REGULATOR

The NMT® N5 Series gas regulator is a Certified CSA 6.22/ANSI Z21.80 self-operating regulator with vent limiting option for use in residential, commercial and industrial applications. The N5 vent allows for indoor use without the need to pipe external vent lines. With the added benefit of extended corrosion resistance, the N5 allows for various applications where the best regulation performance is required.



N5A

TECH NOTE: Tech Note: Norgas regulators may be installed horizontally or vertically with a vent elbow. The N5 series is not recommended for use on generators - please see the NGR series on page 33 for applicable regulators.

N5 Series Regulator Selection Guide

N5X-XXXX-X-XXXXXX

Code 1 - Body (N5X)		Code 2 - Pipe Size (XXXX)		Code 3 - Spring (X)		Code 4 - Optional Vent Limiter (XXXXXX)	
Character	Description	Character	Description	Character	Description	Character	Description
A	N5A Body, 2 PSIG, 3/8" - 3/4"	0375	3/8" NPT Pipe Size (N5A)	O	Orange Spring, 3-13" WC	VL0125	1/8" Vent Limiter (N5A)
B	N5B Body, 2 PSIG, 1/2" - 1"	0500	1/2" NPT Pipe Size (N5A/N5B)	S	Silver Spring, 7-11" WC (CSA)	VL0375	3/8" Vent Limiter (N5B)
C	N5C Body, 2 PSIG, 1-1/4" - 1-1/2"	0750	3/4" NPT Pipe Size (N5A/N5B)	G	Green Spring, 10-23" WC	VL0500	1/2" Vent Limiter (N5C/N5D)
D	N5D Body, 2 PSIG, 1-1/2" - 2"	1000	1" NPT Pipe Size (N5B)	Y	Yellow Spring, 12-14" WC (CSA)		
AN	N5A Body, 15 PSIG, 3/8" - 1/2"	1250	1-1/4" NPT Pipe Size (N5C)	R	Red Spring, 15-30" WC		
BN	N5B Body, 15 PSIG, 1/2" - 1"	1500	1-1/2" NPT Pipe Size (N5C/N5D)	W	White Spring, 0.75-1.5 PSI		
CN	N5C Body, 15 PSIG, 1-1/4" - 1-1/2"	2000	2" NPT Pipe Size (N5D)				
DN	N5D Body, 15 PSIG, 1-1/2" - 2"						

Setting	Capacity - BTUs			
	N5A	N5B	N5C	N5D
4" WC	568,361	1,608,239	2,783,063	4,604,040
7" WC	568,361	1,559,023	2,714,796	4,588,164
10" WC	544,547	1,608,239	2,714,796	4,286,520
14" WC	539,784	1,484,406	2,698,920	3,984,876
21" WC	563,598	1,422,490	2,289,319	3,651,480
1 PSI	476,280	1,236,740	1,920,996	2,473,481

* Capacity based on 2 PSI inlet pressure

N5 SERIES ACCESSORIES

	Vent Limiter	Vent Cap	Vent Elbow
N5A	VL0125	VC0125	VE0125
N5B	VL0375	VC0375	VE0375
N5C/D	VL0500	VC0500	VE0500



N5 VENT CAP



N5 VENT ELBOW

N5 Series



N5 OPD

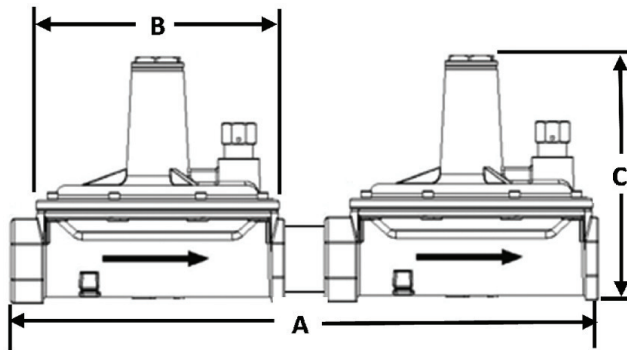
The NMT® N5 OPD (Overpressure Protection Device) Series gas regulator is a Certified CSA 6.22/ANSI Z21.80 self-operating OPD two stage regulator with vent limiting for use in residential, commercial and industrial applications. The OPD function allows for installation in applications where pressures must be limited to 2psig per CSA 6.22/ANSI Z21.80. The standard vent limiting feature allows for indoor use without the need to pipe external vent lines while still maintaining OPD protection.



N5 OPD



Model	Pipe Sizes	Vent Options	Outlet Pressure	Capacity - BTUs		
				€ 3 PSI In	€ 5 PSI In	€ 10 PSI In
N5AOPD	3/8", 1/2"	1/8"	7" WC	428,652	476,280	555,660
			14" WC	381,024	420,714	444,528
N5ABOPD	1/2"	1/8", 3/8"	7" WC	635,040	912,870	1,031,940
			14" WC	619,164	746,172	968,436
N5BOPD	1/2", 3/4", 1"	3/8"	7" WC	976,374	1,087,506	1,151,010
			14" WC	833,490	984,312	1,127,196
N5COPD	1-1/4", 1-1/2"	1/2"	7" WC	2,889,432	3,067,243	3,413,340
			14" WC	2,659,230	2,938,648	3,175,200
N5CDOPD	1-1/2"	1/2"	7" WC	4,453,218	5,566,126	6,432,955
			14" WC	4,132,523	4,948,549	5,566,126
N5DOPD	1-1/2", 2"	1/2"	7" WC	5,953,500	6,310,710	7,064,820
			14" WC	5,258,131	5,659,794	5,999,540



N5OPD DIMENSIONS

Model	Pipe Size (NPT)	Vent (NPT)	Dimension (Inches)			Weight (lbs)
			A	B	C	
N5AOPD	3/8", 1/2", 3/4"	1/8"	9.0"	4.0"	3.5"	1.8
N5ABOPD	1/2"	1/8", 3/8"	10.7"	4.0" / 5.5"	5.5"	2.7
N5BOPD	1/2", 3/4", 1"	3/8"	12.5"	5.5"	5.5"	3.6
N5COPD	1-1/4", 1-1/2"	1/2"	15.7"	7.0"	7.5"	6.7
N5CDOPD	1-1/2"	1/2"	19.5"	7.0" / 9.2"	9.4"	11.1
N5DOPD	1-1/2", 2"	1/2"	22.4"	9.2"	9.4"	15.5

