

LIQUID CONTROLS COUNTERS



D3311 Counter/Printer



D1111 Counter w/P7785 Pulser

RMI Part No.	Description	MA4	MA5	MA7	MA15
D3311	Printer Counter	X	X	X	X
D1111	Non-Print Counter	X	X	X	X



MA5/MA7



MA5/MA7 METERS

MA5 and MA7 are designed for LP gas and NH₃ truck and bulk loading applications. Gallon Register with totalizer, strainer, differential valve, vapor eliminator, temperature volume compensator and ticket printer standard.

MA5/MA7 METERS

RMI Part Number	Inlet/Outlet	Maximum Capacity	Minimum Capacity	Ticket Printer	Temp. Comp.
MA5-GY10-1.5	1½"	60	12	Yes	Yes
MA7-GY10-2	2"	100	20	Yes	Yes
MA7-GY10-LCR2	2"	100	20	Slip	ETVC



MA15/MSA30



MA15/MSA30 METERS

MA15 and MSA30 meters have large capacity for bulk plant metering. Includes vapor eliminator, strainer, temperature volume compensator and differential valve. Ticket printer optional.

MA15/MSA30 METERS

RMI Part Number	Inlet/Outlet	Maximum Capacity	Minimum Capacity	Ticket Printer
MA15-GY10-3	3" x 2" NPT	200	40	Yes
MA15-CY10-3	3" x 2" NPT	200	40	No
MSA30-G10	3" 300# Flange	350	15	Yes
MSA30-C10	3" 300# Flange	350	15	No

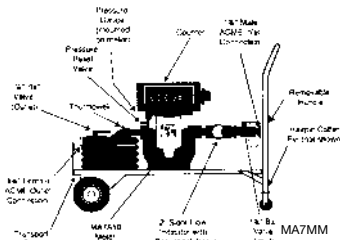
MA15GY10



MSA30GY10

TEST METER W/CART & ACCESSORIES

- Accuracy is assured—Meters are NIST Certified.
- Complete Operator's Manual and Reference Meter Test Report Included.
- LC's 2" MA-7 LPG (20–100 GPM) Meter Standard.
- Optional Reference Meters Available.



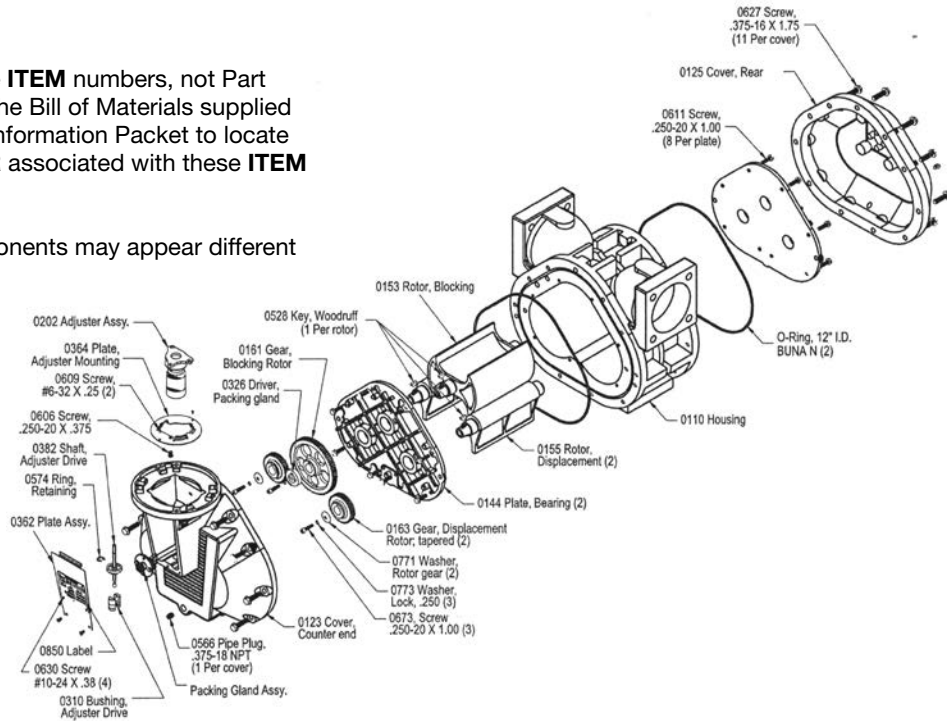
TEST METER W/CART & ACCESSORIES

RMI Part No.	Description
MA7MM	Meter / Cart / Accessories

NOTE:

Numbers shown are **ITEM** numbers, not Part Numbers. Refer to the Bill of Materials supplied in the red Owner's Information Packet to locate the **PART NUMBER** associated with these **ITEM NUMBERS**.

NOTE: Meter components may appear different between models.

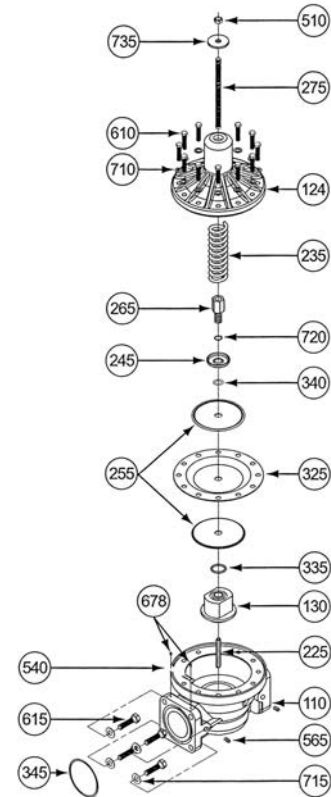


Item No.	Description	RMI Part No.		
		MA7	MA15	MSA30
0310	Adjuster Drive Bushing	41786	41786	41786
0630	Screw	09093	09093	04494
0850	Label	49444	49444	49444
0362	Plate Assembly	49390	49390	46169
0574	Retaining Ring	02188	02188	02188
0382	Adjuster Drive Shaft	48287	48287	48540
0606	Screw	07295	07295	07295
0609	Screw	00362	00362	00362
0364	Adjuster Mounting Plate	42660	42660	42660
0202	Adjuster Assembly	49403	49403	49403
0566	Pipe Plug	06790	06790	04759
0250	Packing Gland	49561	48616	48616
0123	Cover	48301	501033	44103
0673	Screw	09027	09084	07483
0773	Washer	49348	49348	06174
0771	Washer	48348	48348	48348
0163	Gear	47646	47422	47388
0326	Driver Packing Gland	48756	48756	48844
0161	Gear	47633	47421	47385
0144	Bearing Plate	47668	46732	44102
0528	Woodruff Key	48332	501030	07229
0155	Displacement Rotor	48366	501028	47575
0153	Blocking Rotor	48306	501027	47574
0110	Housing	49445	501154	501184
0430	O-Ring	09258	09200	09324
0611	Screw	09079	09079	09098
0125	Rear Cover	48302	501034	501183
0627	Screw	09080	09080	09085

A2843 DIFFERENTIAL VALVE

A2843 DIFFERENTIAL VALVE

Item No.	Description	RMI Part No.
110	Valve Housing Assembly	47096
124	Valve Cover	47302
130	Piston	49947
235	Spring	47305
245	Spring Retainer	47307
255	Back-up Plate	47308
265	Stand Off	47309
275	Rod Assembly	47098
325	Diaphragm	47306
335	O-Ring	06856
340	O-Ring	07900
345	O-Ring	07838
510	Nut	06055
565	Plug	04759
610	Screw	04655
615	Screw	06851
678	Screw	00306S
710	Washer	04656
715	Washer	04498
720	Lock Washer	06070
735	Washer	06663



A2885 INLET CHECK VALVE

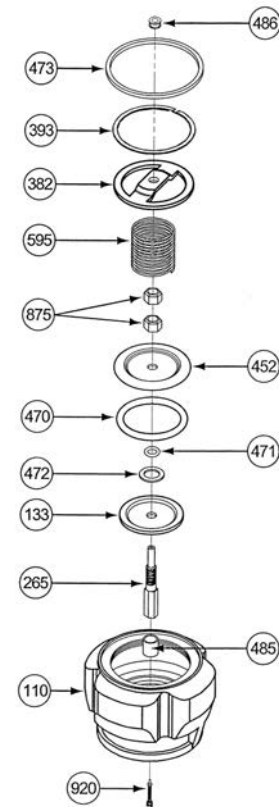
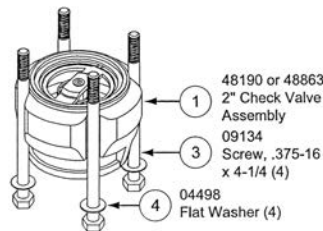
Model A2885 (For LPG)

(Used on meter sold after December 19, 1991 beginning with Serial No. 225233)

2" Check Valve Assembly

A2885 CHECK VALVE PARTS

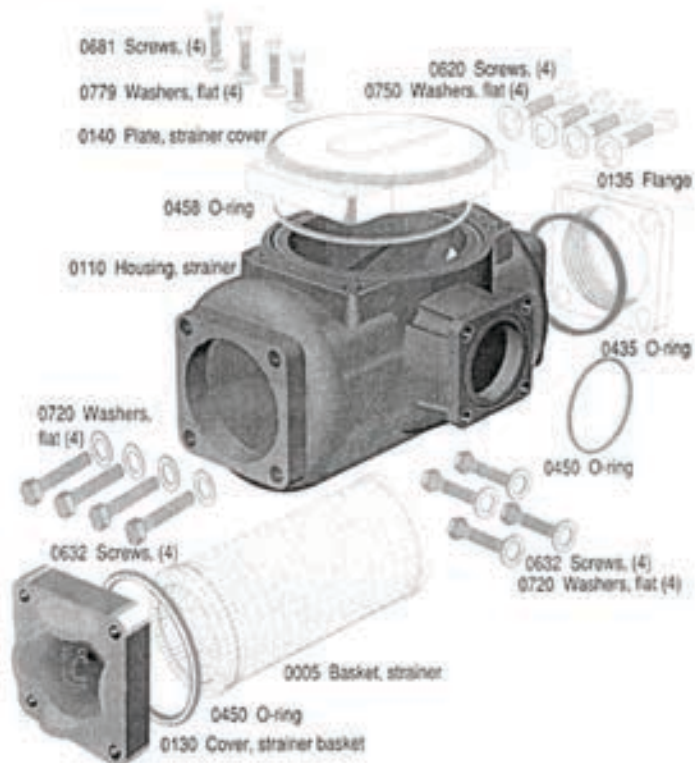
Item No.	Description	RMI Part No.
486	Bearing	N/A
473	O-Ring	06854
393	Retaining Ring	09137
382	Spring Holder	48337
595	Compressor Spring	09138
875	Lock Nut	09143
452	O-Ring Retainer	47974
470	O-Ring	09131
471	O-Ring	09140
472	Spacer	47295
133	Piston	47975
265	Valve Stem	N/A
485	Bushing	07867
110	Housing	47973
920	Valve Core	N/A



STRAINER ASSEMBLY

Common Strainer Assembly Parts

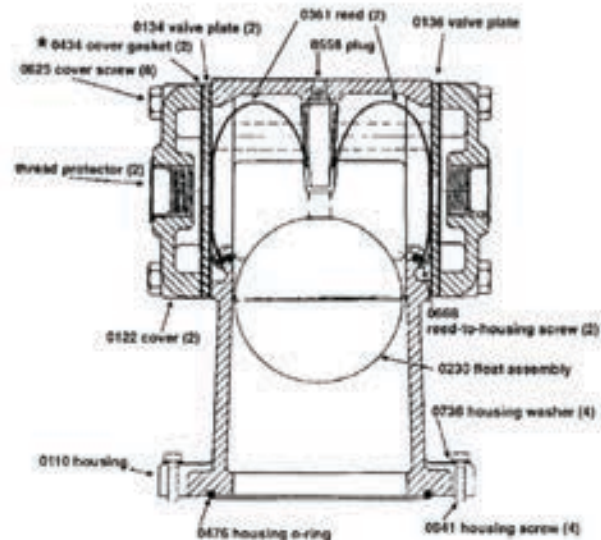
Item No.	Description	RMI Part No.		
		A2343A	A3340	A3366A
0140	Strainer Cover	48299	42987	X
0458	O-Ring	09335	09335	09335
0720	Washer	04498	48497	09204
0005	Strainer 40 Mesh	A2430	A3430	A3430
0005	Strainer 80 Mesh	A2431	A3431	A3431
0005	Strainer 100 Mesh	A2432	A3432	A3432
0005	Strainer 200 Mesh	A2439	A3439	A3439
0450	O-Ring	09338	06798	09201
0130	Cover-Thermowell	45420	42987	44423
0620	Screws	04444	06057	07292
0435	O-Ring	06854	04474	04474



ALUMINUM HIGH MOUNT AIR AND VAPOR ELIMINATORS

Common Vapor Eliminator Parts

Item No.	Description	RMI Part No.
0110	Housing	49490
0136	Valve Plate	42822+42824
0434	Cover Seal	42823
0122	Cover	48329
0618	Screw	06797
0218	Baffle Cup	48421
0230	Float Assembly	501040
0625	Screw	09080
0134	Valve Plate	42822
0361	Reed	48571
*not shown	Relief Valve	H124

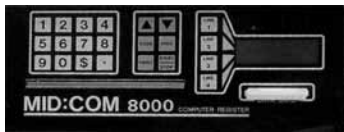


Item numbers shown. Refer to Bill of Material supplied with your meter/air eliminator for Part Numbers. Always use Part Numbers (not item numbers) when ordering replacement parts.



MID-COM
8000 Register

Cab mounted computer printer and data transfer system allows access of up to 50,000 complete customer records.



MID-COM
8000 Computer

TRUCK MOUNTED ELECTRONIC METERING SYSTEMS

MID:COM
The One That Works



E:COUNT

Can be mounted on any model meter. Works with 8,000 or Smartlink Systems

- Large easy to read display
- Self-contained calibration and setup

MID-COM
Smart Link SLS System
(2 components)



TRUCK & PLANT METERS AND REELS

LCR-II

Offers real solutions for pump and print applications.

- Easy to use, run, stop, print, shift print rotary switch.
- 4 Product selections.
- Operates with or without lap pad.
- Increased accuracy with electronic temperature control.



LIQUID CONTROL ELECTRONIC REGISTERS



LIQUID CONTROLS
Lectro-Count LCR System LCR-11

LCR-3

Offers all the advantages of the LCR-II plus the following:

- 24 Product calibration factors.
- Price extended delivery ticket.
- Allows download of customer information and upload to back-office system.



LIQUID CONTROLS
Lectro Count 3 TM
RAM System
(2 components)



LCR-II